

JGB500SEP

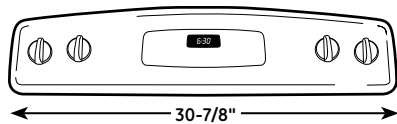
GE® 30" Free-Standing Self-Clean Gas Range

Dimensions and Installation Information (in inches)

Gas Self-Clean Range Anti-Tip Bracket
(Part No. 205C1714P001)

Electrical Rating: 120V, 60Hz, 5A

Installation Information: Before installing, consult installation instructions packed with product for current dimensional data.

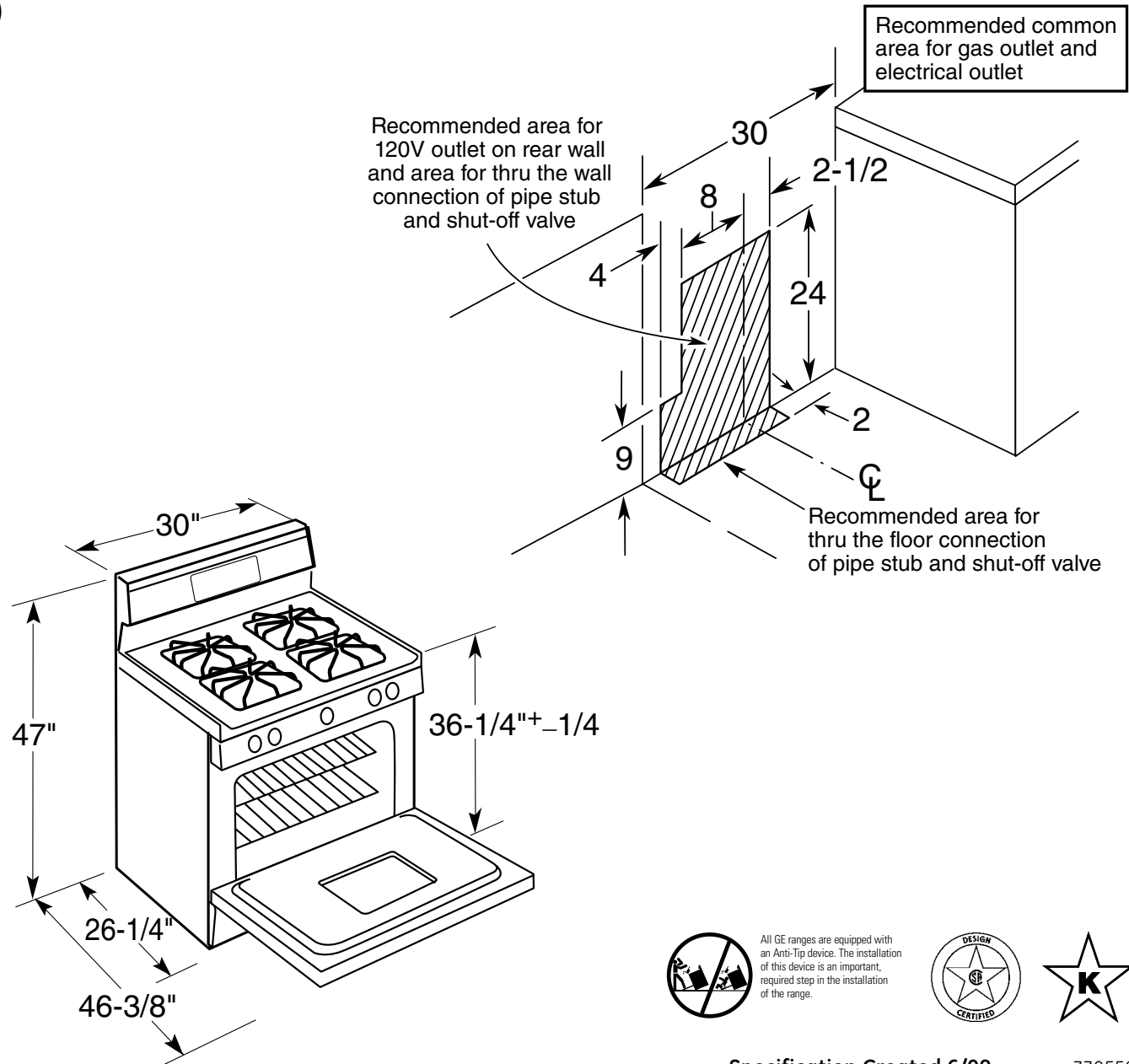


All 30" GE gas and electric range backguards are 30-7/8" wide.*

Note: 30" ranges conform to U.L. requirements for 0" spacing from adjacent walls below countertops. To reduce possible scorching of walls, engineering recommends a minimum of 1-1/2" spacing to allow for possible extended, high heat, no-load heating element operation.

*Except these models: JGBS07, JGBS04, JGBP90, all GE Profile free-standing electric and gas ranges
Fits most countertop backsplash applications.
Consult Use & Care Manual for detailed installation instructions.

For answers to your Monogram®, GE Profile™ or GE® appliance questions, visit our website at ge.com or call GE Answer Center® service, 800.626.2000.



All GE ranges are equipped with an Anti-Tip device. The installation of this device is an important, required step in the installation of the range.

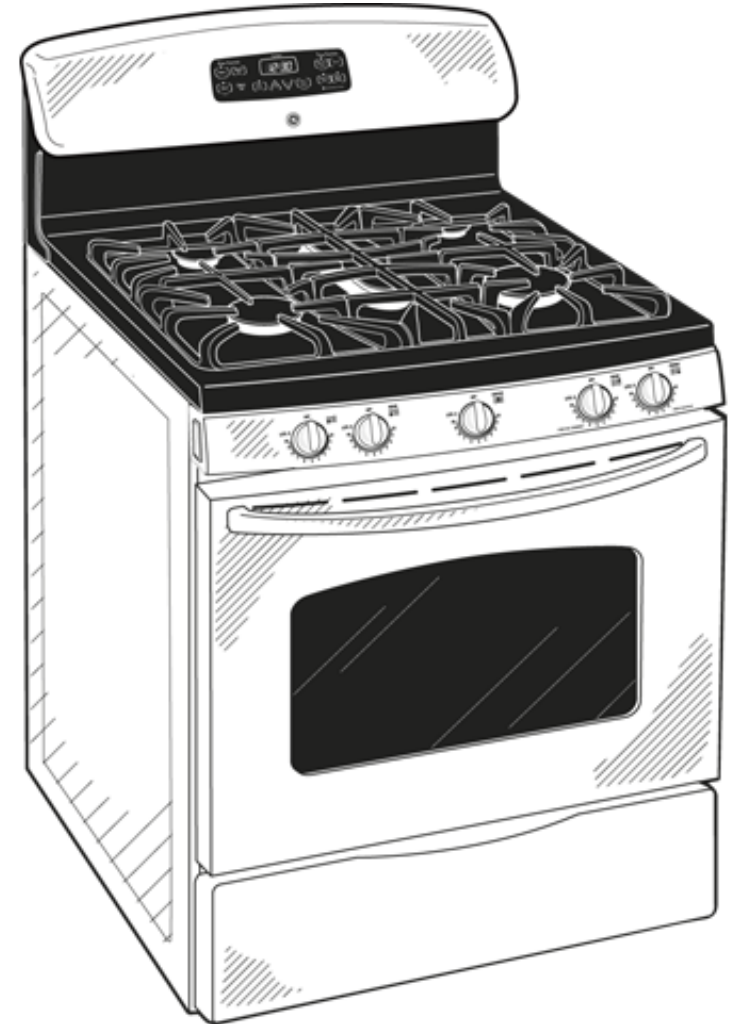


JGB500SEP

GE® 30" Free-Standing Self-Clean Gas Range

Features and Benefits

- Self-clean Oven - Self-clean allows you to spare yourself from the trouble and effort it takes to scrub the oven interior. The oven does all the work!
- Super-large 5.0 cu. ft. Oven Capacity - Remarkably large oven interior is ideal for holidays, dinner parties and everyday family cooking
- Heavy-cast, Continuous Grates - Matte-finish cooktop grates provide a sturdy, uninterrupted surface that allows pots and pans to move easily
- Deep-recessed Cooktop - Deep recessed cooktop keeps spills, and everything else, contained in one area that's easy to wipe clean
- Non-stick Griddle - Ideal for pancakes, bacon, sandwiches and more, the large non-stick griddle is convenient and easy to clean
- PowerBoil™ 17K Burner - This powerful element instantly supplies the intense heat need for boiling, sautéing and stir frying
- Center Oval Burner - Oval fifth burner in the center of the cooktop is large to accommodate odd-sized cookware or griddles
- Precise Simmer Burner - Simmer burners allows for low, even heat distribution that is ideal delicate foods and sauces
- TrueTemp™ Oven System - This feature helps ensure the temperature you set is the temperature you get, with less variance, to give you the baking and broiling performance you desire
- QuickSet IV Oven Controls - Feature an easy to use design which allows you to set precise cooking temperatures
- Model JGB500SEPSS - Stainless steel



imagination at work