

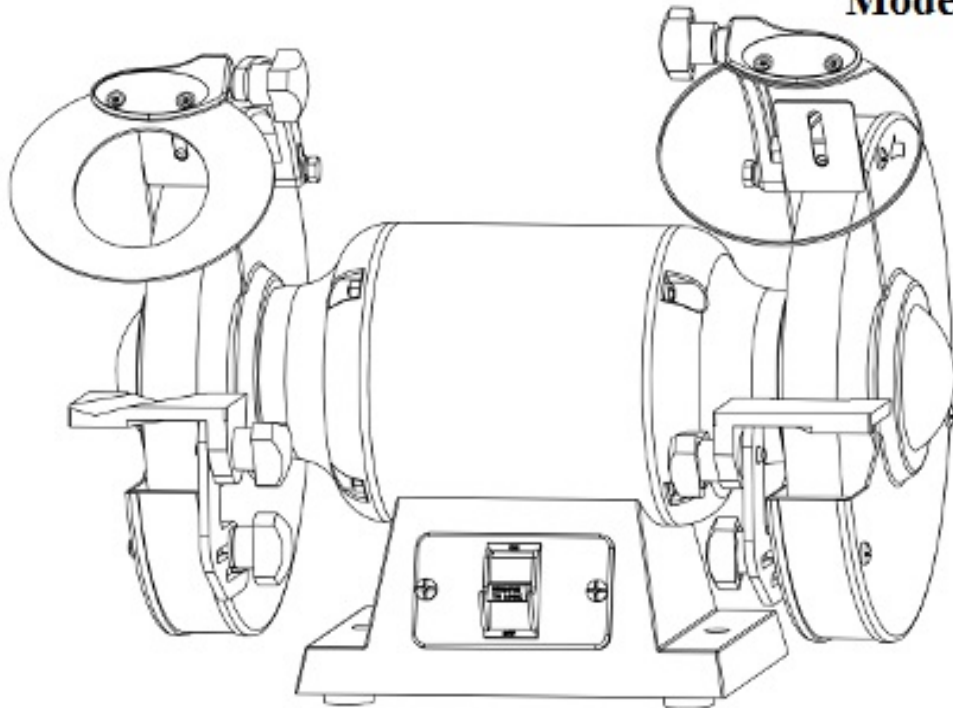
#

WEN

OPERATOR'S MANUAL

8" Slow Speed Bench Grinder

Model # 4286



⚠ IMPORTANT:

Your new tool has been engineered and manufactured to WEN's® high standards for dependability, ease of operation, and operator safety. Properly cared for, it will give you years of rugged, trouble-free performance.

Pay close attention to the Rules for Safe Operation, Warnings, and Cautions. If you use your tool properly and only for what it is intended, you will enjoy years of safe, reliable service.



It's not how, it's WEN the project get's done!

Have product questions or need technical support? Please feel free to contact us!



WenProducts.com



800- 232-1195 M-F 8:00 am - 5:00 pm CST



techsupport@wenproducts.com

#

CONTENTS

Technical data.....	2
General safety rules.....	3
Specific safety rules for bench grinder.....	5
Electrical information.....	7
Know your bench grinder.....	9
Assembly.....	10
Operation.....	11
Maintenance.....	12
Troubleshooting.....	13
Exploded view.....	14
Parts list.....	15
Warranty.....	16

TECHNICAL DATA

8" Slow Speed Bench Grinder

Model:	4286
Motor:	120 V, 60 Hz, 3A
Speed:	1750 RPM (no load)
Wheel size:	8"x1"
Arbor size:	5/8"
Wheel Grits:	#120 (Fine) / #60 (Medium)
Weight:	36 lb

GENERAL SAFETY RULES

GENERAL SAFETY INSTRUCTIONS

Operating a bench grinder can be dangerous if safety and common sense are ignored. The operator must be familiar with the operation of the tool. Read this manual to understand this bench grinder. **DO NOT** operate this bench grinder if you do not fully understand the limitations of this tool. **DO NOT** modify this bench grinder in any way.

BEFORE USING THE BENCH GRINDER



WARNING: To avoid serious injury and damage to the tool, read and follow all of the Safety and Operating Instructions before operating the bench grinder.



WARNING:

1. **SOME DUST** created by using power tools contains chemicals known to the State of California to cause cancer, birth defects, or other reproductive harm.
Some examples of these chemicals are:
 - Lead from lead-based paints.
 - Crystalline silica from bricks, cement, and other masonry products.
 - Arsenic and chromium from chemically treated lumber.Your risk from these exposures varies depending on how often you do this type of work. To reduce your exposure to these chemicals, work in a well-ventilated area with approved safety equipment such as dust masks specially designed to filter out microscopic particles.
2. **READ** the entire owner's manual. **LEARN** how to use the tool for its intended applications.
3. **GROUND ALL TOOLS.** If the tool is supplied with a three-prong plug, it must be plugged into a three-contact electrical receptacle. The third prong is used to ground the tool and provide protection against accidental electric shock. **DO NOT** remove the third prong.
4. **AVOID A DANGEROUS WORKING ENVIRONMENT. DO NOT** use electrical tools in a damp environment or expose them to rain.
5. **DO NOT** use electrical tools in the presence of flammable liquids or gasses.
6. **ALWAYS** keep the work area clean, well lit, and organized. **DO NOT** work in an environment with floor surfaces that are slippery from debris, grease, and wax.
7. **KEEP VISITORS AND CHILDREN AWAY. DO NOT** permit people to be in the immediate work area, especially when operating the electrical tool.
8. **DO NOT FORCE THE TOOL** to perform an operation for which it was not designed. The tool will do a safer and higher quality job by only performing operations for which it was intended.
9. **WEAR PROPER CLOTHING. DO NOT** wear loose clothing, gloves, neckties, or jewelry. These items can get caught in the machine during operations and pull the operator into the moving parts. Longhaired users must wear a protective cover on their hair to prevent it from contacting any moving parts.
10. **CHILDPROOF THE WORKSHOP AREA** by removing switch keys, unplugging tools from the electrical receptacles, and using padlocks.
11. **DO NOT** use electrical tools in the presence of flammable liquids or gasses.

12. **ALWAYS UNPLUG THE TOOL FROM THE ELECTRICAL RECEPTACLE** when making adjustments, changing parts, or performing maintenance.
13. **KEEP PROTECTIVE GUARDS IN PLACE AND IN WORKING ORDER.**
14. **AVOID ACCIDENTAL STARTING.** Make sure that the power switch is in the OFF position before plugging in the power cord to the electrical receptacle.
15. **REMOVE ALL MAINTENANCE TOOLS** from the immediate area prior to turning on the Bench Grinder.
16. **USE ONLY RECOMMENDED ACCESSORIES.** Use of incorrect or improper accessories could cause serious injury to the operator and damage to the tool. When in doubt, check the instruction manual that comes with that particular accessory.
17. **NEVER LEAVE A RUNNING TOOL UNATTENDED.** Turn the power switch to the OFF position. Do not leave the tool until it has come to a complete stop.
18. **DO NOT STAND ON A TOOL.** Serious injury could result if the tool tips over or you accidentally contact the tool.
19. **DO NOT** store anything above or near the tool to ensure that no one stands on the tool for better reach.
20. **MAINTAIN YOUR BALANCE. DO NOT** extend yourself over the tool. Wear oil resistant rubber soled shoes. Keep floor clear of debris, grease, and wax.
21. **MAINTAIN TOOLS WITH CARE.** Always keep tools clean and in good working order. Keep all blades and tool bits sharp.
22. **EACH AND EVERY TIME, CHECK FOR DAMAGED PARTS PRIOR TO USING THE TOOL.** Carefully check all guards to see that they are not damaged and properly performing their intended functions. Check for alignment, binding, or breaking of moving parts. A guard or other part that is damaged should be immediately repaired or replaced.
23. **CHILDPROOF THE WORKSHOP AREA** by removing switch keys, unplugging tools from the electrical receptacles, and using padlocks.
24. **SECURE ALL WORK.** Use clamps or jigs to secure the workpiece. This is safer than attempting to hold the workpiece with your hands.
25. **STAY ALERT! WATCH WHAT YOU ARE DOING AND USE COMMON SENSE WHEN OPERATING A POWER TOOL. DO NOT USE A TOOL WHILE TIRED OR UNDER THE INFLUENCE OF DRUGS, ALCOHOL, OR MEDICATION.** A moment of inattention while operating power tools may result in serious personal injury.
26. **ALWAYS WEAR A DUST MASK TO PREVENT INHALING DANGEROUS DUST OR AIRBORNE PARTICLES** including wood dust, crystalline silica dust and asbestos dust. Direct particles away from face and body. Always operate tool in a well-ventilated area and provide for proper dust removal. Use dust collection system wherever possible. Exposure to dust may cause serious and permanent respiratory damage or other injury, including silicosis (a serious lung disease), cancer, and death. Avoid breathing and prolonged contact with dust. Allowing dust to get into your mouth, eyes, or onto your skin may result in absorption of harmful material. Always use properly fitting NIOSH/OSHA-approved respiratory protection for dust exposure. Wash exposed areas with soap and water.
27. **USE SAFETY GOGGLES AT ALL TIMES** that comply with ANSI Z87.1. Normal safety glasses only have impact resistant lenses and are not designed for safety. Wear a face or dust mask when working in a dusty environment. Use ear protection, such as plugs or muffs, during extended periods of operation.



SPECIFIC SAFETY RULES FOR BENCH GRINDER

1. **USE GRINDING WHEELS** suitable for the speeds of the grinder.
2. **STAND BESIDE** the bench grinder during start-up, not directly in front.
3. **DO NOT REMOVE THE WHEEL GUARD.**
4. **DO NOT USE THE GRINDING WHEEL TO CUT ANYTHING.**
5. **DO NOT USE ANYTHING TO STRESS THE GRINDING WHEEL.**
6. **USE A GRINDING WHEEL DRESSING TOOL** to shape or remove glaze from grinding wheels.
7. **ADJUST DISTANCE** between wheel and tool rest to maintain at most a 1/8-inch (3.2 mm) separation as the diameter of the wheel decreases with usage.
8. **CONNECT TO A SUPPLY CIRCUIT** protected by a circuit breaker or time-delay fuse.
9. **SECURE THE BENCH GRINDER** to its supporting surface to prevent the grinder from tipping over, sliding, or walking on its supporting surface.
 - Replace a cracked wheel immediately.
 - Always use the guards and eye shields.
 - Do not overtighten the wheel nut.
 - Use only flanges furnished with this grinder.
10. **ALWAYS INSPECT GRINDING WHEELS** prior to use for cracks, missing pieces, etc. Replace wheel immediately before use if imperfections are present.
11. **USE ONLY GRINDING WHEELS** that comply with ANSI B7.1 and rated greater than 3550 RPM.
12. **GUARD AGAINST ELECTRICAL SHOCK** by preventing body contact with grounded surfaces. For example: pipes, radiators, ranges, refrigerator enclosures.
13. **DO NOT** use wheels with incorrect size holes. **NEVER** use wheel washers or wheel screws that are defective or incorrect, and **NEVER** touch a grinding wheel or other moving parts.
14. **NEVER** reach to pick up a workpiece, a piece of scrap, or anything else that is in or near the grinding path of the wheel.
15. **AVOID AWKWARD OPERATIONS AND HAND POSITIONS** where a sudden slip could cause your hand to move into the wheel. **ALWAYS** make sure you have good balance.
16. **NEVER** stand or have any part of your body in line with the path of the wheel.
17. **DO NOT USE TOOL IF SWITCH DOES NOT TURN IT ON AND OFF.** Have defective switches replaced by an authorized service center.

18. **DO NOT TURN THE MOTOR SWITCH ON AND OFF RAPIDLY.** This could cause the wheel to loosen and create a hazard. Should this ever occur, stand clear and allow the wheel to come to a complete stop. Disconnect your grinder from the power supply and retighten the wheel nut securely.
19. **RISK OF INJURY DUE TO ACCIDENTAL STARTING.** Do not use in an area where children may be present.
20. **NEVER START THE GRINDER** when the wheel is in contact with the workpiece.
21. **SECURE WORK.** Always hold the workpiece firmly against the work rest.
22. **DO NOT USE THE BENCH GRINDER** if the flange nut or clamp nut is missing or if the spindle shaft is bent.
23. **FREQUENTLY** clean grinding dust from beneath the grinder.
24. **DO NOT OPERATE THIS TOOL WHILE UNDER THE INFLUENCE OF DRUGS, ALCOHOL OR ANY MEDICATION.**
25. **ALWAYS STAY ALERT.** Do not allow familiarity to cause a careless mistake. Always remember that a careless fraction of a second is sufficient enough to inflict severe injury.
26. **STAY ALERT AND EXERCISE CONTROL.** Watch what you are doing and use common sense. Do not operate the tool when you are tired. Do not rush.
27. **SAVE THESE INSTRUCTIONS.** Refer to them frequently and use them to instruct other users. If you loan someone this tool, loan them these instructions also.
28. **ALWAYS EASE THE WORKPIECE AGAINST THE ABRASIVE WHEEL** when starting to grind. A harsh impact can break the wheel. Use light pressure when starting to grind. Too much pressure on a cold wheel can cause the wheel to crack.
29. **USE ONLY FLANGES** furnished with this bench grinder.
30. **IF ANY PART OF THIS GRINDER IS MISSING,** broken, bent, or damaged in any way, or if any electrical component fails to perform properly, shut off the power switch, remove the machine plug from the power source and have the damaged, missing, or failed parts replaced before operation.
31. **THE SAFETY EYESHIELDS AND SPARK DEFLECTORS** are adjustable for operator convenience. Operating the grinder without these features attached could result in serious injury. Do not grind with the safety eyeshield raised. Always wear safety glasses for personal protection.
32. **THE WORK RESTS** are independently adjustable to compensate for wheel wear. Before grinding, make certain the work rests are adjusted properly. Generally, the object being ground is done slightly above the center of the grinding wheel.
33. **LAWN MOWER BLADES** are usually sharpened on only one edge and dressed up slightly on the other. Perform this sharpening process on both cutting ends of the blade. After sharpening, balance the blade by removing additional material.

ELECTRICAL INFORMATION

Grounding instructions

IN THE EVENT OF A MALFUNCTION OR BREAKDOWN, grounding provides the path of least resistance for electric current and reduces the risk of electric shock. This tool is equipped with an electric cord that has an equipment grounding conductor and a grounding plug. The plug **MUST** be plugged into a matching outlet that is properly installed and grounded in accordance with ALL local codes and ordinances.

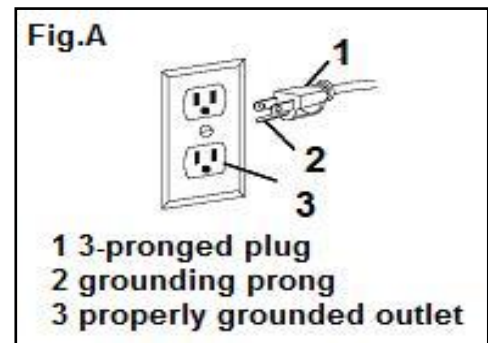
DO NOT MODIFY THE PLUG PROVIDED. If it will not fit the outlet, have the proper outlet installed by a licensed electrician.

IMPROPER CONNECTION of the equipment grounding conductor can result in electric shock. The conductor with the green insulation (with or without yellow stripes) is the equipment grounding conductor. If repair or replacement of the electric cord or plug is necessary, **DO NOT** connect the equipment grounding conductor to a live terminal.

CHECK with a licensed electrician or service personnel if you do not completely understand the grounding instructions or whether the tool is properly grounded.

USE ONLY THREE-WIRE EXTENSION CORDS that have three-pronged plugs and outlets that accept the tool's plug as shown in Fig. A. Repair or replace a damaged or worn cord immediately.

CAUTION: In all cases, make certain the outlet in question is properly grounded. If you are not sure, have a licensed electrician check the outlet.



WARNING: This tool is for indoor use only. Do not expose to rain or use in damp locations.

Guidelines for using extension cords

Make sure your extension cord is in good condition. When using an extension cord, be sure to use one heavy enough to carry the current your product will draw. An undersized cord will cause a drop in line voltage resulting in loss of power and overheating. The table below shows the correct size to be used according to cord length and nameplate ampere rating. When in doubt, use the next heavier gauge. The smaller the gauge number, the heavier the cord.

Minimum Gauge for Extension Cords (AWG)
(When using 120 V only)

Ampere Rating	Total Length of Cord in feet			
	25'	50'	100'	150'
0 – 6 Amps	18 gauge	16 gauge	16 gauge	14 gauge
6 – 10 Amps	18 gauge	16 gauge	14 gauge	12 gauge
10 – 12 Amps	16 gauge	16 gauge	14 gauge	12 gauge
12 – 16 Amps	14 gauge	12 gauge	Not Recommended	

Make sure your extension cord is properly wired and in good condition. Always replace a damaged extension cord or have it repaired by a qualified person before using it.

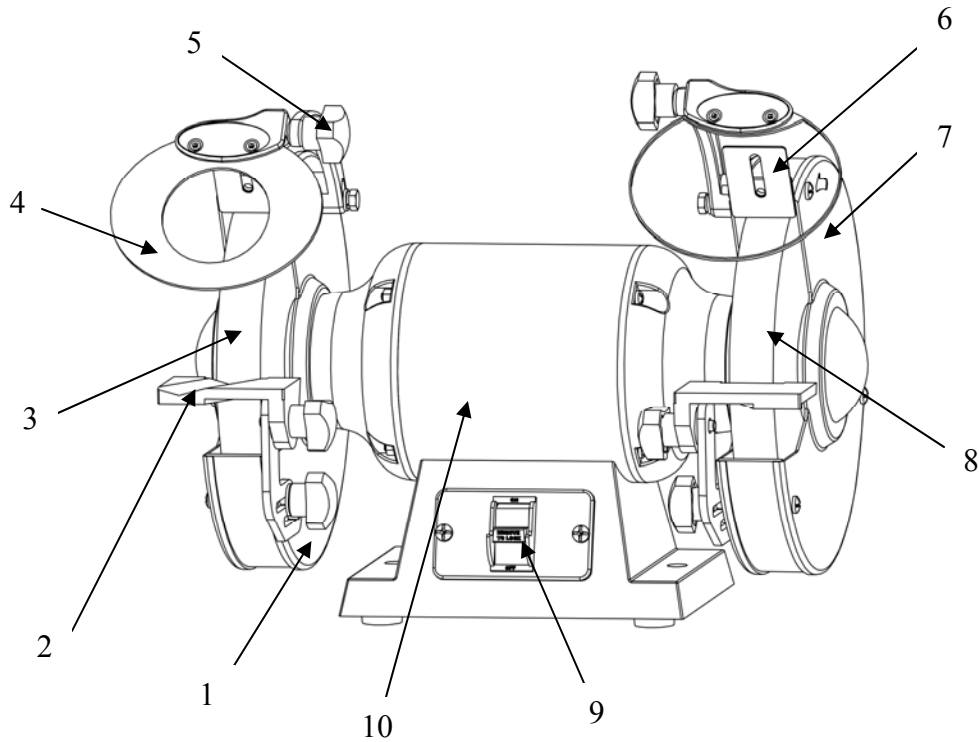
Protect your extension cords from sharp objects, excessive heat and damp/wet areas.

Use a separate electrical circuit for your tools. This circuit must not be less than a #12 wire and should be protected with a 15 A time-delayed fuse. Before connecting the motor to the power line, make sure the switch is in the OFF position and the electric current is rated the same as the current stamped on the motor nameplate. Running at a lower voltage will damage the motor.



WARNING: This tool must be grounded while in use to protect the operator from electric shock.

KNOW YOUR BENCH GRINDER



- 1 **INNER WHEEL GUARD** - Covers the grinding wheels and protects against accidental contact.
- 2 **TOOL RESTS** - Used to support the workpiece that is being ground. Adjustable to provide angled surfaces.
- 3 **GRINDING WHEEL 120 GRIT** - Used to remove light material from workpiece.
- 4 **EYESHIELD** - Protective Lexan see-thru shields to prevent any loose debris from contacting the operator.
- 5 **LOCKING KNOB**-Lock the eyeshield in position.
- 6 **SPARK ARRESTOR** - Prevents hot sparks and debris from contacting the operator.
- 7 **WHEEL COVER** - Covers the grinding wheels and provides quick access for routine maintenance.
- 8 **GRINDING WHEEL 60 GRIT** - Used to remove light material from workpiece.
- 9 **ON/OFF SWITCH** - Used to turn the grinder ON and OFF.
- 10 **MOTOR HOUSING** - Contains the electrical motor.

ASSEMBLY



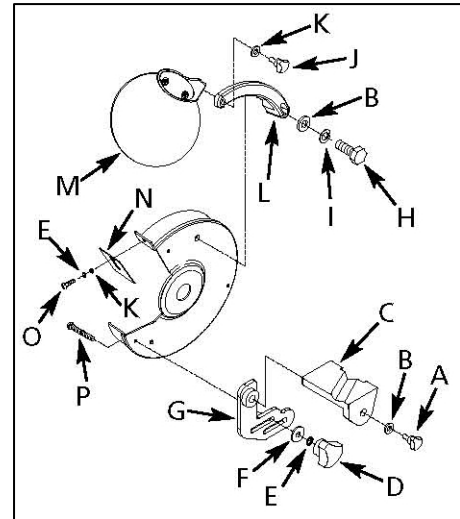
Warning: To avoid injury from unexpected starting or electrical shock, do not plug the power cord into a source of power during unpacking and assembly. This cord must remain unplugged whenever you are adjusting/assembling the grinder.

If any part is missing or damaged, do not attempt to assemble the grinder or plug in the power cord.

All of the parts needed for assembly should be located and accounted for before beginning.

Tool rest assembly

1. Place the tool rest (C) over the tool rest support (G) and secure in position with a 6mm flat washer (B) and knob (A).
2. Attach the tool rest support to the bottom of the left wheel guard. Insert a carriage bolt (P) through cover and guard. Place upper slot of support over carriage bolt and lower slot over the raised boss on guard. Secure support using 5mm flat washer (F), 5mm serrated washer (E) and knob (D). Tighten knob finger tight.
3. Position tool rest so that distance between tool rest and grinding wheel is 1/16" or less. Reposition angle of tool rest if necessary. Secure all knobs.
4. Mount right tool rest in a similar manner.



Spark deflector and eyeshield assembly

1. Attach spark deflector (N) to left wheel guard using 5mm flat washer (K), 5mm lock washer (E) and pan head screw (O). Make sure spark deflector is 1/4" or less away from grinding wheel.
2. Attach eyeshield support (L) to left wheel guard using 6mm flat washer (B), 6mm lock washer (I) and hex head bolt (H).
3. Attach eyeshield (M) to eyeshield support using 5mm flat washer (K) and knob (J).
4. Position eyeshield as desired and secure all knobs and bolts.
5. Attach spark deflector and eyeshield assembly to right wheel guard in a similar manner.

Mounting the grinder

1. Mount grinder to a solid horizontal surface (hardware not provided). If mounted to metal pedestal, align mounting holes with corresponding holes in pedestal. Insert a 1/4-20 x 1 1/4" hex head bolt with flat washer through base of grinder. From bottom of pedestal, place a 1/4" flat washer and 1/4"-20 hex nut onto the bolt. Tighten only until space between grinder base and pedestal is 1/8". Using second nut on each bolt, jam tighten against the first to prevent loosening by vibration.
2. To mount grinder to wooden bench top, use 1/4 x 1 1/4" wood screws with flat washers beneath heads. Tighten screws until space between grinder base and bench top is 1/8".

OPERATION



Caution: Keep all bystanders a safe distance away from the tool and not in direct line, front or back of the grinder.

1. To operate the bench grinder, always wear safety glasses and turn the tool on while standing at the side of the grinder (as opposed to in front). Allow it to reach full speed before grinding.
2. Hold the work piece firmly against the tool rest. Hold very small pieces with pliers or other suitable clamps.
3. Feed the work piece smoothly and evenly into the grinding wheel.
4. Move the work piece slowly and avoid jamming the work piece against the wheel. If the wheel tends to slow down from excessive force, you should occasionally release the pressure to let the wheel return to full speed.
5. Grind only on the face of the grinding wheel; never the side of it.



Caution: Prolonged grinding will cause most materials to become hot. Use care when handling such materials.

SCISSORS

If possible, take the scissors apart to make the sharpening operation easier and safer. Remove material only from the outside surface and work from the heavy end of the blade toward the tip.

KNIVES

Remove metal from both faces of most knives, working from the heavy end of the blade toward the tip.

SCREWDRIVERS

The end of a properly sharpened screwdriver will be a perfectly flat rectangle, perpendicular to the centerline of the shank. The two sides and two faces will taper outward from the edge of the shoulder or shank. They should be flat with perpendicular intersecting faces. Hold each face of the screwdriver against the wheel to true it up, then ease the end straight into the stone to grind it true.

LAWN MOWER BLADES

Lawn mower blades are usually sharpened on only one side and dressed up slightly on the other. After sharpening, be sure to balance the blade by removing additional material from the heavy end. There are a number of inexpensive cone balancers on the market for this purpose. Unbalanced blades can cause serious crank shaft damage to your lawn mower. Always remove spark plug wires from the mower before servicing the blades to prevent accidental starting.

MAINTENANCE



Warning: For your own safety, turn switch to OFF and remove plug from power source outlet before adjusting and maintaining your bench grinder. If power cord is worn, cut or damaged in any way, have it replaced immediately.

1. Regularly check the tool and use a soft brush to remove accumulated dust. Wear safety goggles to protect your eyes while cleaning.
2. If the body of the grinder needs cleaning, wipe it down with a soft, damp cloth. A mild detergent can be used. Do not use alcohol, petrol or other similar cleaning agents. Do not make contact with the grinding wheels with any damp cloth.
3. Always make sure the eye shields are transparent and not blocking the view of the grinding wheel.
4. In normal use, grinding wheels may become cracked, grooved, rounded at the edges, chipped, out of true or loaded with foreign material. Cracked wheels should be replaced IMMEDIATELY. While any of the other conditions can be remedied with a dressing tool (included), new wheels sometimes require dressing to make them round.
5. If you must replace a wheel be sure to obtain one with a safe rated speed at least as high as the “NO LOAD” RPM marked on your grinder’s nameplate. Replacement wheels must have a ½-inch center hole and a 6-inch diameter with a maximum width of ¾ inch. Test new wheels for cracks and maintain the existing sequence of retaining hardware. Be sure the tool is unplugged before attempting repairs.

Caution: Never use caustic agents to clean the plastic parts of the tool.

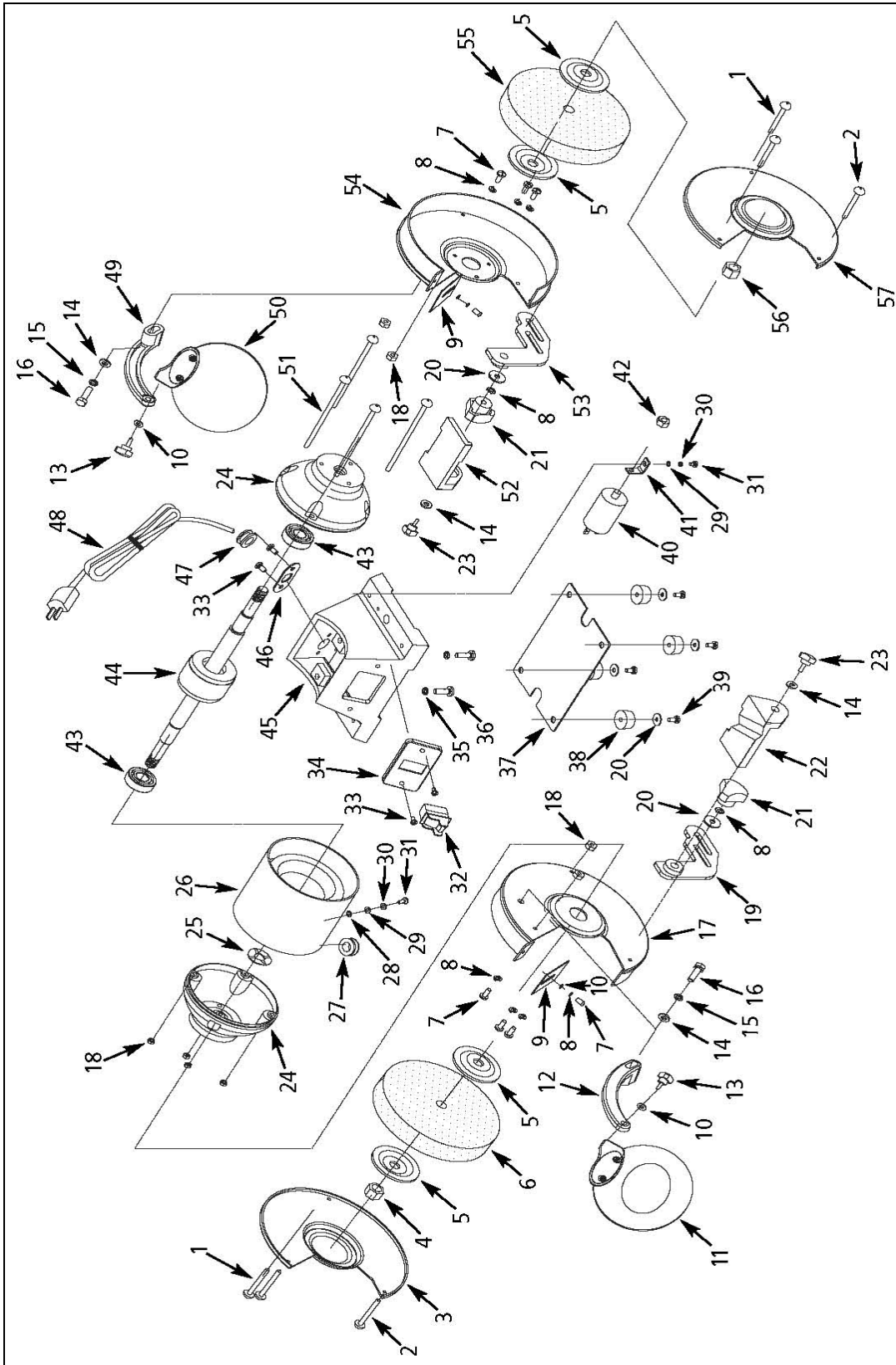
Caution: Water must never come into contact with the grinder.

Caution: The use of any other accessories is not recommended and may result in serious injury.

TROUBLESHOOTING

Symptom	Possible Cause	Corrective Action
Grinder won't start	Blown line fuse or tripped circuit breaker	If fuse is blown, replace with fuse of proper size. If breaker tripped, reset it
	Low line voltage	Check power supply for voltage and correct as needed
	Material wedged between wheel and guard	Turn grinder off and remove material
	Defective switch	Replace switch
	Defective, blown capacitor	Replace capacitor
Excessive vibration	Improper mounting of grinder or accessories	Remount
	Grinding wheel out of balance	Dress wheels or replace wheels
	Improper wheel mounting	Remount wheels, but rotate one wheel 90° with respect to its previous position. Other wheel should remain in its original position
Motor overheating	Excess pressure required to grind material	Dress wheel or replace wheel with one of proper grit
	Grinding on side of wheel	Grind only on face of wheel
	Motor not turning freely (without power)	Clean around wheels and shaft and/or replace bearings
Fuses are being blown or circuit breakers are being tripped	Overloading due to binding	Clean around wheels and shaft and/or replace bearings
	Defective plug	Replace plug
	Defective cord	Replace cord
	Defective switch	Replace switch

EXPLODED VIEW



PARTS LIST

Item	Stock #	Description
1	4286-001	Screw
2	4286-002	Bolt
3	4286-003	Left guard cover
4	4286-004	Nut
5	4286-005	Flange
6	4286-006	Grinding wheel 120#
7	4286-007	Screw
8	4286-008	Lock washer
9	4286-009	Spark deflector
10	4286-010	Flat washer
11	4286-011	Left eyeshield (magnifier)
12	4286-012	Left eyeshield support
13	4286-013	Knob
14	4286-014	Flat washer
15	4286-015	Lock washer
16	4286-016	Bolt
17	4286-017	Left guard
18	4286-018	Hex flange nut
19	4286-019	Left toolrest support
20	4286-020	Flat washer
21	4286-021	Knob
22	4286-022	Left tool rest
23	4286-023	Knob
24	4286-024	End shield
25	4286-025	Washer
26	4286-026	Stator
27	4286-027	Grommet
28	4286-028	Washer
29	4286-029	Flat washer

Item	Stock #	Description
30	4286-030	Lock washer
31	4286-031	Screw
32	4286-032	Switch
33	4286-033	Screw
34	4286-034	Switch plate
35	4286-035	Lock washer
36	4286-036	Bolt
37	4286-037	Cover
38	4286-038	Foot
39	4286-039	Screw
40	4286-040	Capacitor
41	4286-041	Capacitor support
42	4286-042	Nut
43	4286-043	Ball bearing
44	4286-044	Armature
45	4286-045	Base
46	4286-046	Strain relief plate
47	4286-047	Strain relief
48	4286-048	Power cord
49	4286-049	Right eyeshield support
50	4286-050	Right eyeshield
51	4286-051	Screw
52	4286-052	Right tool rest
53	4286-053	Right toolrest support
54	4286-054	Right guard
55	4286-055	Grinding wheel 60#
56	4286-056	Nut
57	4286-057	Right guard cover

#

LIMITED TWO YEARS WARRANTY

WEN Products is committed to build tools that are dependable for years. Our warranties are consistent with this commitment and our dedication to quality.

LIMITED WARRANTY OF WEN CONSUMER POWER TOOLS PRODUCTS FOR HOME USE

GREAT LAKES TECHNOLOGIES, LLC ("Seller") warrants to the original purchaser only, that all WEN consumer power tools will be free from defects in material or workmanship for a period of two (2) years from date of purchase. Ninety days for all WEN products, if the tool is used for professional use.

SELLER'S SOLE OBLIGATION AND YOUR EXCLUSIVE REMEDY under this Limited Warranty and, to the extent permitted by law, any warranty or condition implied by law, shall be the repair or replacement of parts, without charge, which are defective in material or workmanship and which have not been misused, carelessly handled, or misrepaired by persons other than Seller or Authorized Service Center. To make a claim under this Limited Warranty, please contact us at 1-800-232-1195. To acquire service, you will have to provide proof of purchase and may be asked to ship the tool back to us freight prepaid.

THIS LIMITED WARRANTY DOES NOT APPLY TO ACCESSORY ITEMS SUCH AS CIRCULAR SAW BLADES, DRILL BITS, ROUTER BITS, JIGSAW BLADES, SANDING BELTS, GRINDING WHEELS AND OTHER RELATED ITEMS.

ANY IMPLIED WARRANTIES SHALL BE LIMITED IN DURATION TO ONE (1) YEAR FROM DATE OF PURCHASE. SOME STATES IN THE U.S., SOME CANADIAN PROVINCES DO NOT ALLOW LIMITATIONS ON HOW LONG AN IMPLIED WARRANTY LASTS, SO THE ABOVE LIMITATION MAY NOT APPLY TO YOU.

IN NO EVENT SHALL SELLER BE LIABLE FOR ANY INCIDENTAL OR CONSEQUENTIAL DAMAGES (INCLUDING BUT NOT LIMITED TO LIABILITY FOR LOSS OF PROFITS) ARISING FROM THE SALE OR USE OF THIS PRODUCT. SOME STATES IN THE U.S. AND SOME CANADIAN PROVINCES DO NOT ALLOW THE EXCLUSION OR LIMITATION OF INCIDENTAL OR CONSEQUENTIAL DAMAGES, SO THE ABOVE LIMITATION OR EXCLUSION MAY NOT APPLY TO YOU.

THIS LIMITED WARRANTY GIVES YOU SPECIFIC LEGAL RIGHTS, AND YOU MAY ALSO HAVE OTHER RIGHTS WHICH VARY FROM STATE TO STATE IN THE U.S., PROVINCE TO PROVINCE IN CANADA AND FROM COUNTRY TO COUNTRY.

THIS LIMITED WARRANTY APPLIES ONLY TO PORTABLE ELECTRIC TOOLS, BENCH POWER TOOLS, OUTDOOR POWER EQUIPMENT AND PNUMATIC TOOLS SOLD WITHIN THE UNITED STATES OF AMERICA, CANADA AND THE COMMONWEALTH OF PUERTO RICO. FOR WARRANTY COVERAGE WITHIN OTHER COUNTRIES, CONTACT THE WEN CUSTOMER SUPPORT.



WWW.WENPRODUCTS.COM