

Item # 000 000
Model # H0TC2609J00ES

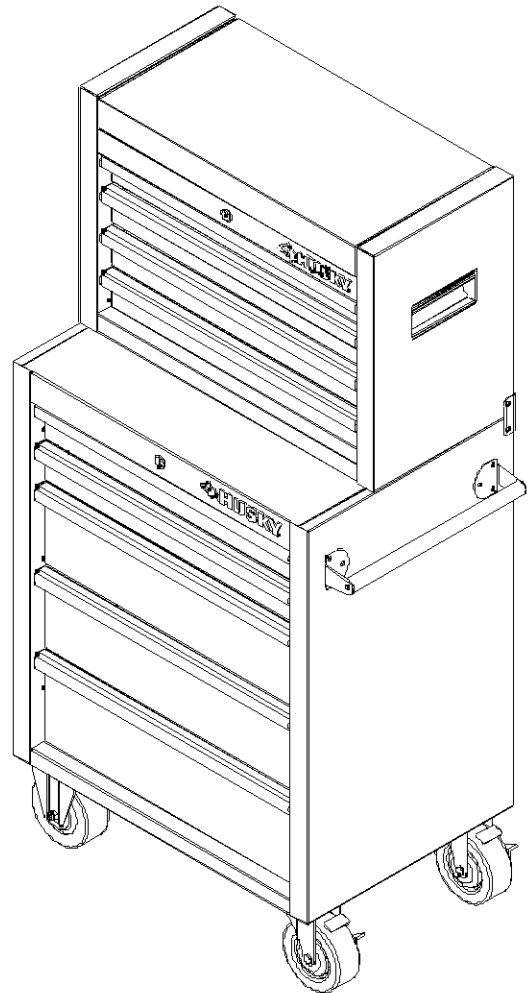
USE AND CARE GUIDE

26 INCH #430 STAINLESS STEEL- 9 DRAWER TOOL CHEST AND CABINET SET

Questions, problems, missing parts?
Before returning to the store, call
Husky Customer Service
8 a.m - 6 p.m., EST, Monday-Friday

1-888-43-HUSKY

HUSKYTOOLS.COM



THANK YOU

We appreciate the trust and confidence you have placed in Husky through the purchase of this chest/cabinet. We strive to continually create quality products designed to enhance your home. Visit us online to see our full line of products available for your home improvement needs. Thank you for choosing Husky!

Table of Contents

Table of Contents	2	Assembly	6
Safety Information	2	Operation	7
Warranty	3	Maintenance	8
Specifications	3		
Tools Required	4		
Package Contents&Service Parts	4-5		
Hardware Included.....	4		
Service Parts	4-5		

Safety Information

1. Do not open more than one drawer at a time.
2. Do not let children approach the tool chest / cabinet.
3. To help prevent product from tipping, load the products starting with the bottom drawers.
4. Keep the locking casters brake set unless you are moving the cabinet. This will help to prevent products from rolling.
5. Lock both the lid and all drawers before moving the cabinet / chest.
6. Make sure all chest drawers close tightly before closing the lid.
7. Top chest drawers are locked when lid is closed. Do not attempt to open drawers when lid is closed.
8. Do not step in any drawer / drawers.
9. Do not pull the units, push it when moving.
10. Do not alter this product in any manner.



DANGER: Do not stand on this product. You may fall or cause the product to tip.



DANGER: Do not move the product prior to closing and locking all the drawers. The drawers could come open and make the product unstable and tip.



DANGER: Do not mount this product on a truck bed or any other moving object.



WARNING: Keep the product on level surfaces. The product may become unstable and tip if stored or moved on an uneven surface.



WARNING: Be careful when closing the cover. Remove hands before closing the cover.



CAUTION: Do not lift this product directly with a forklift or tow with any mechanical devices.



CAUTION: Do not exceed the maximum product weight, including contents. Do not exceed the maximum weight for each drawer. See specifications page 3.



CAUTION: Only transport this product empty. Properly secure when transporting.

Warranty

The manufacturer warrants the products to be free from defects in materials and workmanship for a period of three (3) years from date of purchase. This warranty applies only to the original consumer purchaser and only to products used in normal use and service. If this product is found to be defective, the manufacturer's only obligation, and your exclusive remedy, is the repair or replacement of the product at the manufacturer's discretion, provided that the product has not been damaged through misuse, abuse, accident, modifications, alteration, neglect or mishandling. This warranty shall not apply to any product that is found to have been improperly installed, set-up, or used in any way not in accordance with the instructions supplied with the product. This warranty shall not apply to a failure of the product as a result of an accident, misuse, abuse, negligence, alteration, faulty installation, or any other failure not relating to faulty material or workmanship. This warranty shall not apply to the finish on any portion of the products such as surface and/or weathering, as this is considered normal wear and tear.

The manufacturer does not warrant and specially disclaims any warranty, whether express or implied, of fitness for a particular purpose, other than the warranty contained herein. The manufacturer specifically disclaims any liability and shall not be liable for any consequential or incidental loss or damage, including but not limited to any labor/expense costs involved in the replacement or repair of said product.

Contact the Customer Service Team at 1-888-43-HUSKY or visit www.huskytools.com.

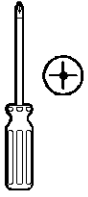
Specifications

Maximum capacity (chest drawer)	50 lbs.
Maximum capacity (cabinet drawer)	50 lbs.
Empty weight (chest)	44 lbs.
Empty weight (cabinet)	92.4 lbs.
Maximum product weight, including contents (chest)	200 lbs.
Maximum product weight, including contents (cabinet)	250 lbs.



NOTE: Begin product assembly close to the final intended location of your chest/cabinet. This product is heavy and may be difficult to move after assembly.

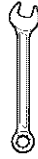
Tools Required



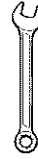
Phillips
screwdriver



Safety
goggles



10 mm.
Wrench



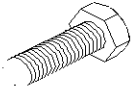
13 mm.
Wrench

Package Contents & Service Parts

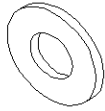
HARDWARE INCLUDED



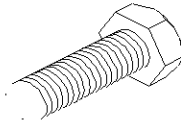
NOTE: Hardware not shown to actual size.



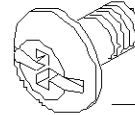
AA



BB



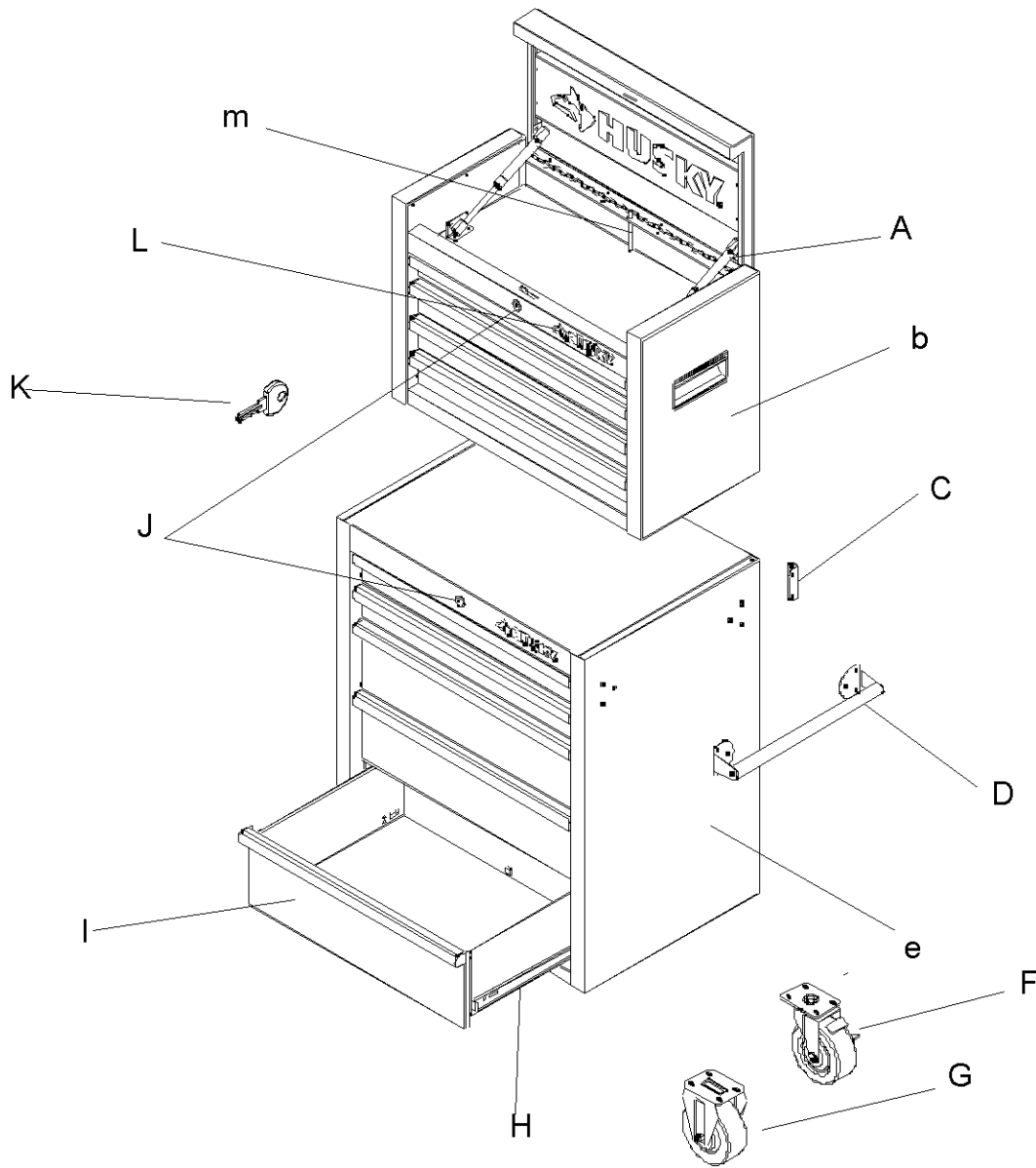
CC



DD

Service Part	Description	Quantity
AA	Bolt M6x 15L	6
BB	Washer	16
CC	Bolt M8 x 1.25	16
DD	Screw M4 x 0.7	8

Package Contents & Service Parts (continued)



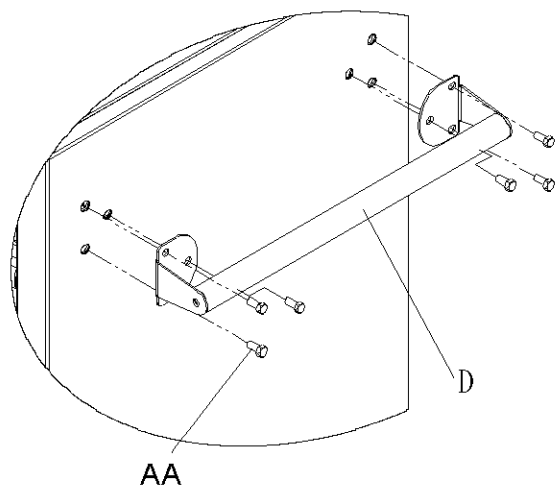
Service Part	Description	Quantity
A	Gas lift	2
C	Bracket	2
D	Side handle	1
F	Swivel caster w/brake	2
G	Regular caster	2
H	Drawer slide	9 pairs
J	Lock	2
K	Key	2 sets
L	Husky badge	2

Part	Description	Quantity
b	Top chest	1
e	Rolling cabinet	1
l	Drawer	9
m	Drawer lock mechanism	1

Assembly

1 Attaching side handle

- Attach side handle (D) to cabinet (e) using 6 bolts (AA).



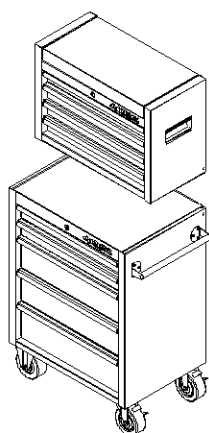
NOTE: The holes in the cabinet are tapped and do not require nuts.

3 Placing the chest

- Place the chest on top of the cabinet



NOTE: Two people may be required to accomplish this step.

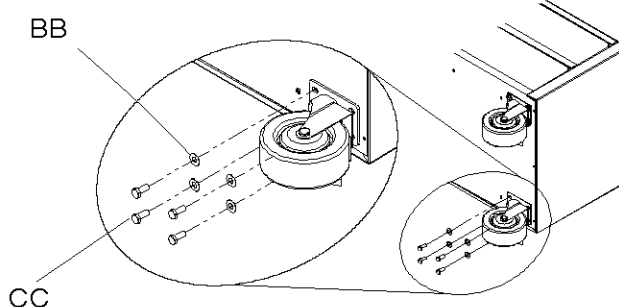


2 Installing casters

- Ensure all cabinet drawers are securely locked into place using the key lock on cabinet.
- Lay the cabinet (E) on its back. Use packaging material to protect the finish.
- Mount 2 swivel casters (F) to the unit using 4 bolts (CC) and washers (BB) per caster. Swivel casters (F) should be installed on the same side as the side handle.
- Mount 2 regular casters (G) to the unit using 4 bolts (CC) and washers (BB) per caster.
- Tighten all bolts with a wrench.
- Return the unit to its upright position.

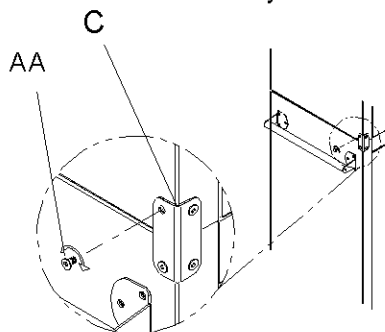


CAUTION: Do not over tighten screws.



4 Installing the brackets

- Assemble the back brackets (C) on the back of the product to secure the top chest to the bottom cabinet. Place the brackets over the holes and secure with 4 screws (DD) per bracket.
- Tighten all screws securely with a screwdriver .



NOTE: The holes in the cabinet are tapped and do not require nuts.

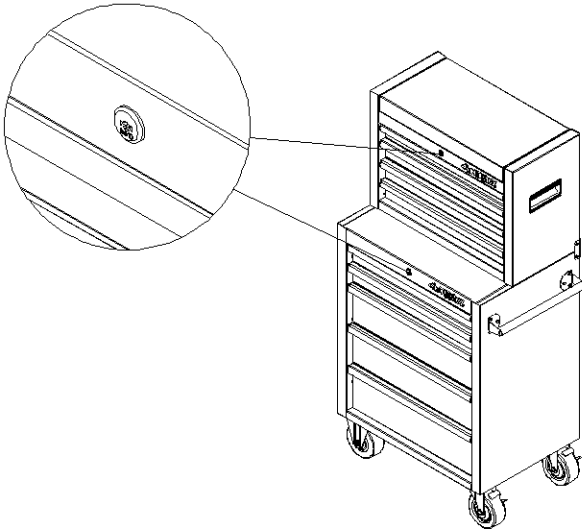
Operation

1 Locking and unlocking the unit



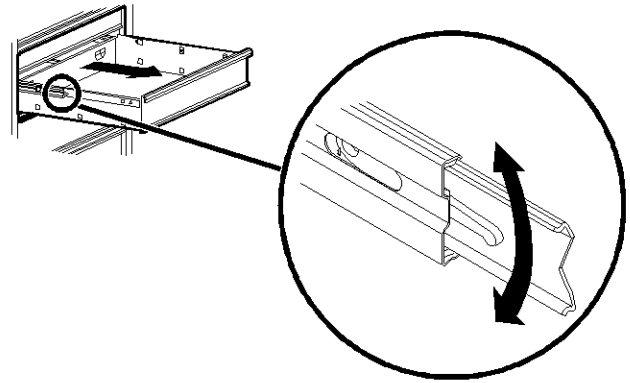
IMPORTANT: Drawers must be fully closed before locking the unit.

- Insert the key and turn it fully to the left to lock.
- Remove the key.
- Insert the key and turn it fully to the right to unlock.
- Remove the key.



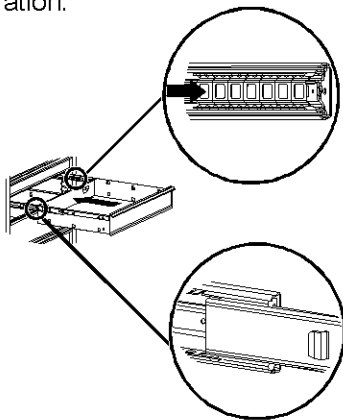
2 Removing the drawers, lever style

- Fully extend and empty the drawer.
- Depending on the slide, either lift or lower the release lever on both sides so the slides can ride over the stops. Pull out to remove.



3 Installing the drawers

- Pull slides and slide carrier out until fully extended.
- Hold the slide on the cabinet while aligning it with the slide on the drawer.
- Slightly insert one side and repeat for the other side.
- Slowly push the drawer until it is fully closed to engage the slide.
- Open the drawer and close it to verify proper operation.

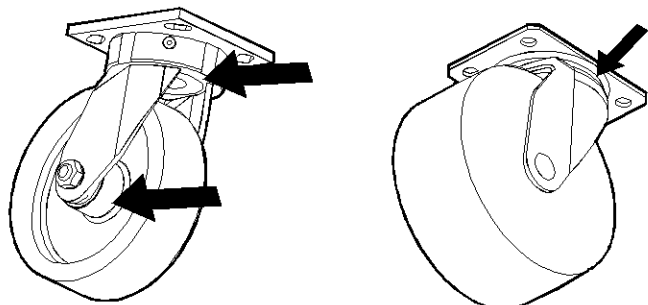


4 Removing the white protective film

- Before using products, carefully remove the white protective film by slowly pulling it away from the stainless steel.
- The protective film is needed to protect the #430 stainless steel surface during shipment and assembly.

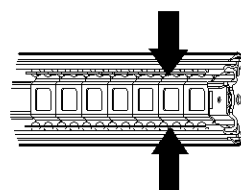
1 Caster maintenance

- Grease casters annually using high quality bearing grease.



2 Drawer maintenance

- Periodically clean the drawer trim, and inside the drawers with a mild detergent and water.
- Remove grease and oil with a standard, nonflammable cleaning fluid.
- The use of drawer liners is recommended to protect the finish inside the drawers and make the drawers easier to clean. Drawer liners can be purchased at The Home Depot and can be cleaned with soap and water.
- Lubricate the slides semi-annually with grease or equivalent.



3 #430 Stainless steel maintenance

- Use a stainless steel cleaner (3M or equivalent product) to clean and maintain all surfaces of the stainless steel.



Questions, problems, missing parts? Before returning to the store call
Husky Customer Service
8 a.m. - 6 p.m., EST, Monday-Friday

1-888-43-HUSKY

HUSKYTOOLS.COM

Retain this manual for future use.

[DOCUMENT NUMBER PLACEHOLDER]