



Outdoor Cabinetry

Marine Grade Polymer · Factory Built to Order
Ships in 7-10 Days



Product Specification Guide

JULY 2016

The WeatherStrong Difference



WeatherStrong cabinets are manufactured from a 3/4" waterproof Marine Grade polymer, which will not fade, rot or mold. The factory finish features a light wood grain texture embossed surface that can be stained or painted any color using an outdoor paint or stain, allowing you to perfectly complement your outdoor living space. The door handles, hinges and drawer runners are stainless steel, top rated for outdoor use. All cabinets are factory built in a variety of sizes and options, making WeatherStrong perfect for any outdoor, wet room or garage application. **WeatherStrong Ships in 7 to 10 Days.**

Table of Contents

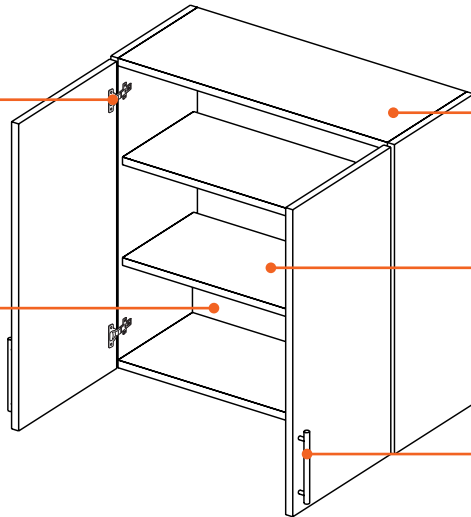
The WeatherStrong Difference.....	2
Door Styles.....	4
Wall Cabinets.....	5-6
Open Back Base Cabinets.....	7-9
Filler Strips.....	9
Island Back Base Cabinets.....	10-11
Bar Back Cabinets.....	12-13



The WeatherStrong Difference

Concealed, 6-way adjustable
304 grade stainless steel hinges

Open back panel with dual
mounting rails



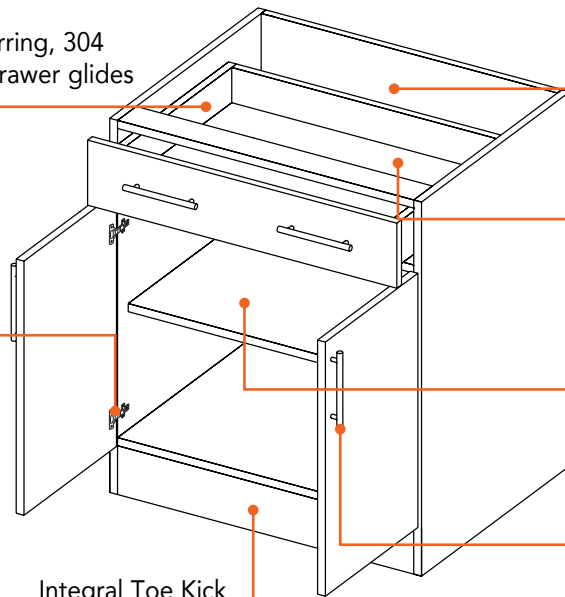
Cabinets constructed of 3/4"
marine grade areated PVC polymer

Full depth adjustable shelves

Euro style decorative harware
is made of 316 stainless steel

Side mounted, ball barring, 304
grade stainless steel drawer glides

Concealed, 6-way
adjustable 304 grade
stainless steel hinges



Base Cabinets are available
with full height or open back

Drawer Box: Total 3/4" construction,
sides and bottom panel

Full depth adjustable shelves

Includes Euro-style decorative
hardware made of 316
stainless steel

Integral Toe Kick

Available Finishes:



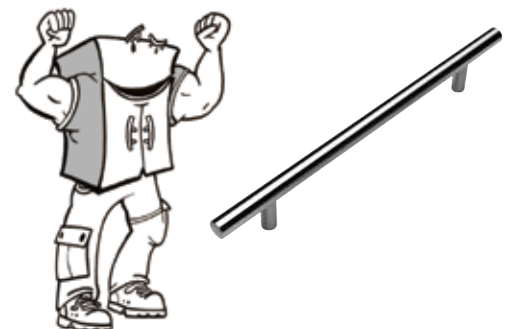
Radiant White

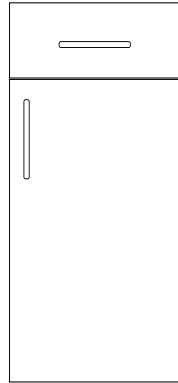
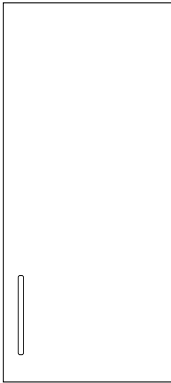


Rustic Gray

DID YOU KNOW?

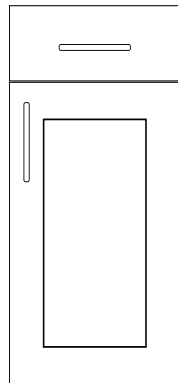
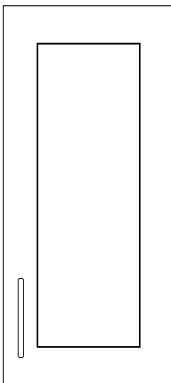
**ALL CABINETS INCLUDE 7" EURO-STYLE
316 GRADE STAINLESS STEEL HANDLES**





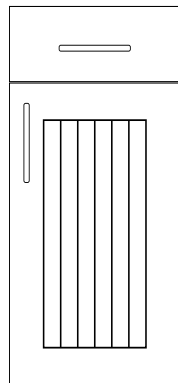
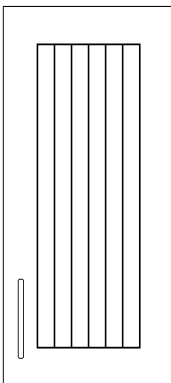
MIAMI

- Flat panel door with a wood grain texture exterior finish
 - Cabinets constructed of 3/4" Marine Grade Polymer
 - 7" 316 stainless steel Euro-style handles included
 - Fully concealed 304 stainless steel hinges
 - Available in Radiant White and Rustic Gray
-



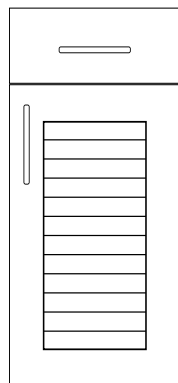
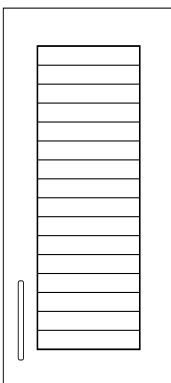
PALM BEACH

- Flat panel door with a Shaker inspired routed center panel design. Features a wood grain texture exterior finish
 - Cabinets constructed of 3/4" Marine Grade Polymer
 - 7" 316 stainless steel Euro-style handles included
 - Fully concealed 304 stainless steel hinges
 - Available in Radiant White and Rustic Gray
-



NAPLES

- Flat panel door with a routed beaded center panel design. Features a wood grain texture exterior finish
 - Cabinets constructed of 3/4" Marine Grade Polymer
 - 7" 316 stainless steel Euro-style handles included
 - Fully concealed 304 stainless steel hinges
 - Available in Radiant White and Rustic Gray
-

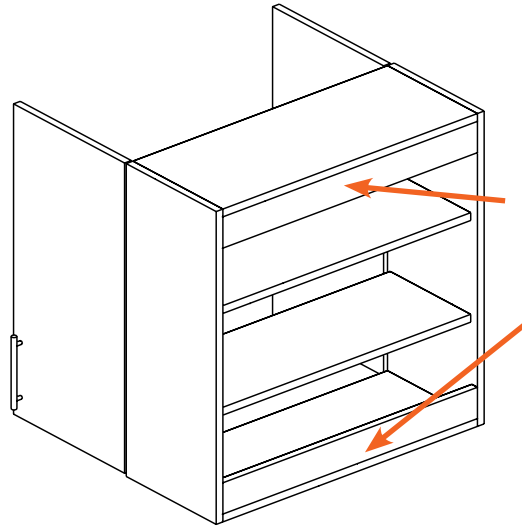


KEY WEST

- Flat panel door with a routed louver inspired center panel design. Features a wood grain texture exterior finish
- Cabinets constructed of 3/4" Marine Grade Polymer
- 7" 316 stainless steel Euro-style handles included
- Fully concealed 304 stainless steel hinges
- Available in Radiant White and Rustic Gray



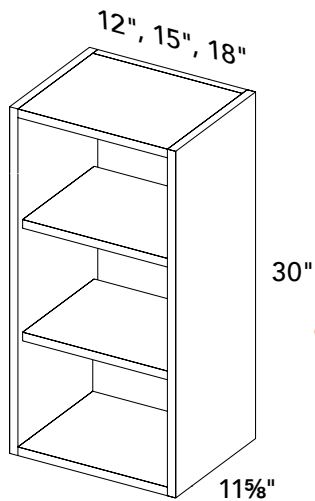
WALL CABINETS



BACK VIEW

WeatherStrong Wall Cabinets feature an open back design with two installation rails (top and bottom) for wall mount installations.

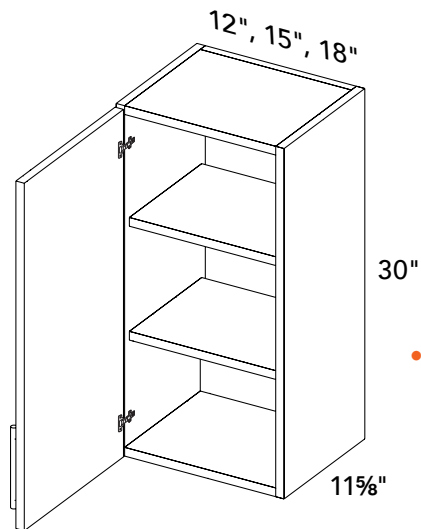
Single Open Wall with Shelves



WSW1230ND
WSW1530ND
WSW1830ND

- 2 full depth adjustable shelves

Single Door Wall with Shelves

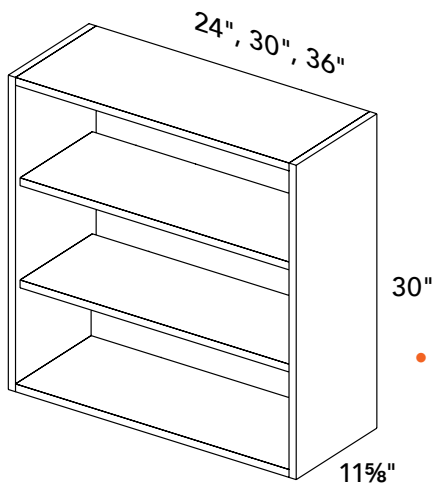


SPECIFY
RIGHT or LEFT
HINGED

WSW1230
WSW1530
WSW1830

- 2 full depth adjustable shelves

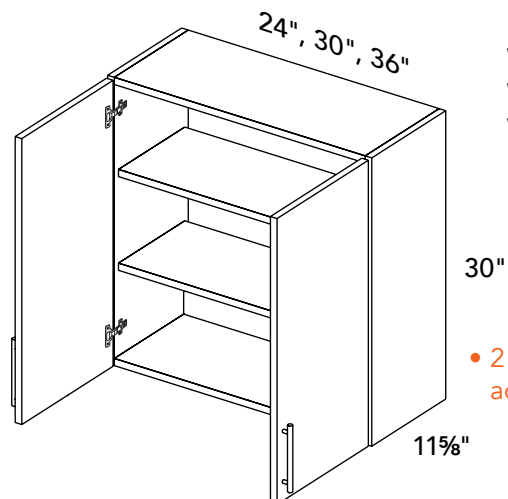
Double Open Wall with Shelves



WSW2430ND
WSW3030ND
WSW3630ND

- 2 full depth adjustable shelves

Double Door Wall with Shelves

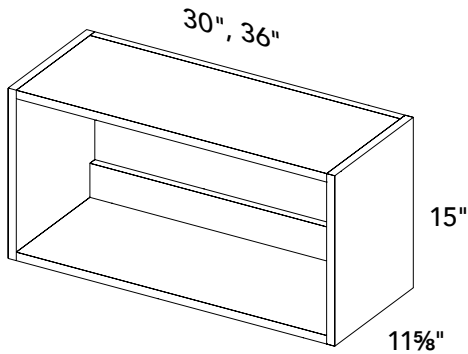


WSW2430
WSW3030
WSW3630

- 2 full depth adjustable shelves

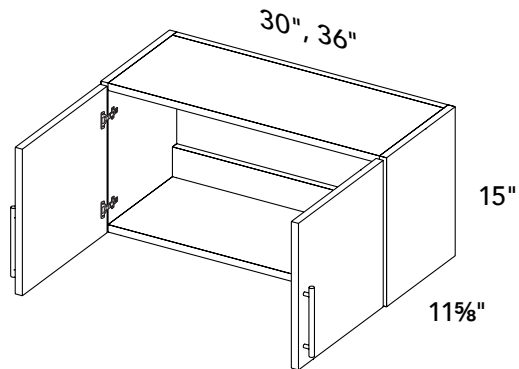


15" High Open Wall Bridge



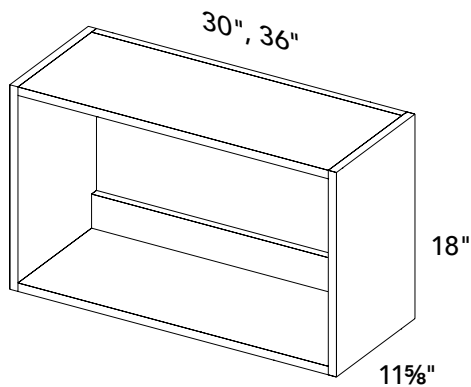
WSW3015
WSW3615

15" High Double Door Wall Bridge



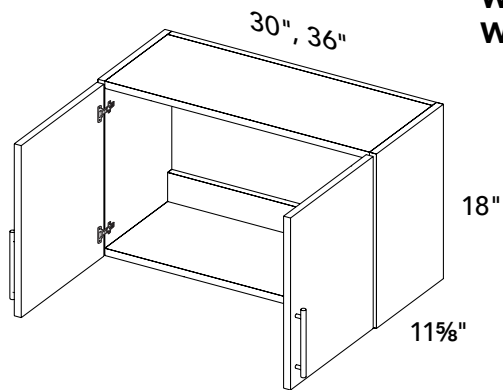
WSW3015
WSW3615

18" High Open Wall Bridge



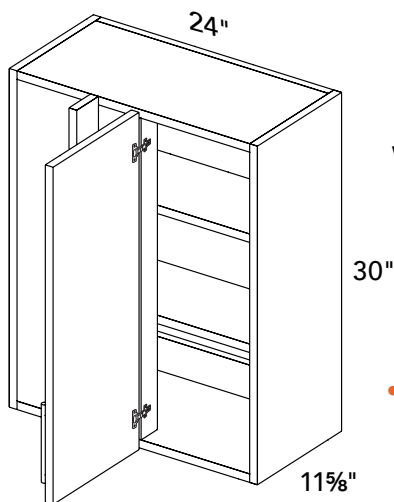
WSW3018
WSW3618

18" High Double Door Wall Bridge



WSW3018
WSW3618

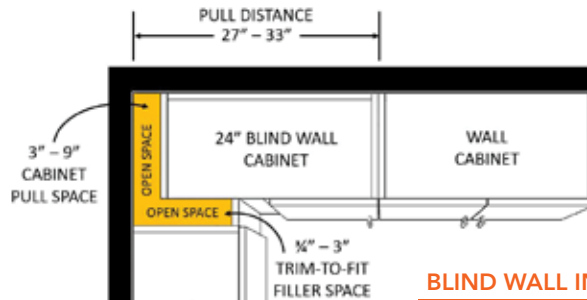
Wall Blind



SPECIFY
RIGHT or LEFT
HINGED
(left shown)

WSWBL2730

- 2 adjustable shelves

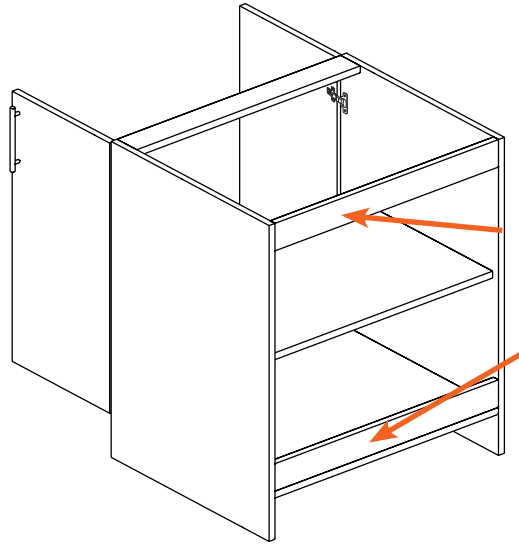


BLIND WALL INSTALL TIP

The Blind Wall cabinet is 24" wide, with two adjustable shelves. For proper function, it must be installed a minimum of 3" away from the adjacent wall. This allows the doors to fully open and compensate for angle variances of the inside corner. In order to accommodate multiple width requirements, the Blind Wall can be 'pulled' up to 9" away from the adjacent wall. This cabinet requires a minimum overall wall space of 27" in width to a maximum of 33" in width.



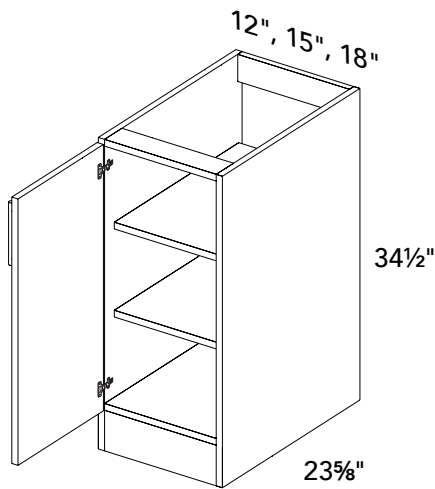
OPEN BACK BASE CABINETS



BACK VIEW

Open Back Base Cabinets feature an open back design with two installation rails (top and bottom) for wall mount installations.

Open Back Single Full Height Door Base

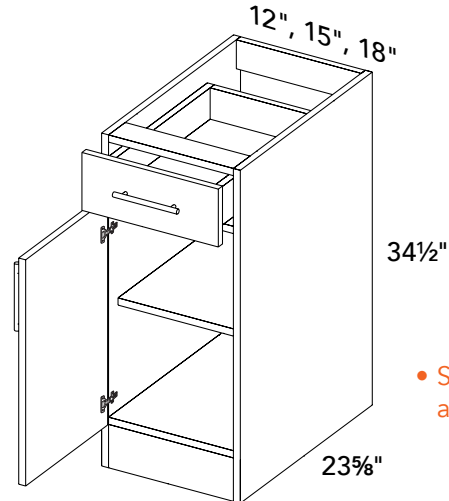


**SPECIFY
RIGHT or LEFT
HINGED**

**WSOB12FH
WSOB15FH
WSOB18FH**

- Two full-depth adjustable shelves

Open Back Single Door/Drawer Base

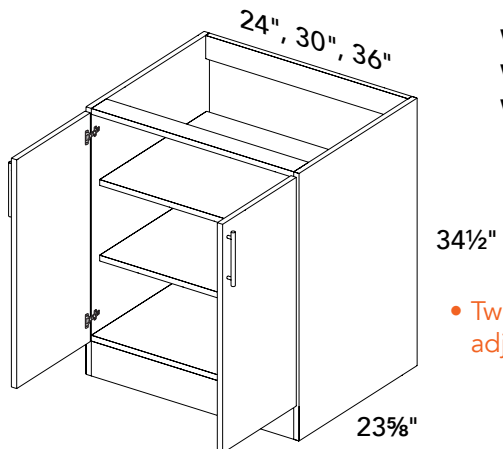


**SPECIFY
RIGHT or LEFT
HINGED**

**WSOB12
WSOB15
WSOB18**

- Single full depth adjustable shelf

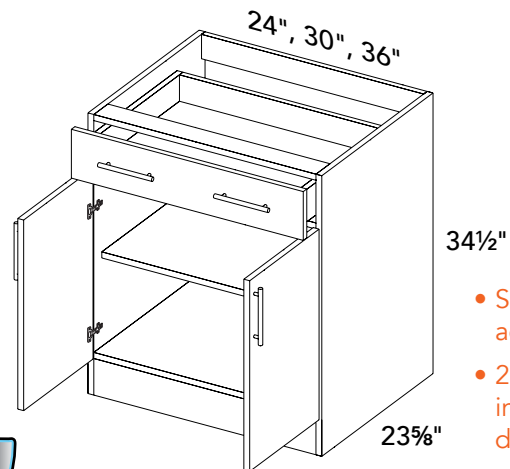
Open Back Full Height Double Door Base



**WSOB24FH
WSOB30FH
WSOB36FH**

- Two full-depth adjustable shelves

Open Back Double Door & Drawer Base

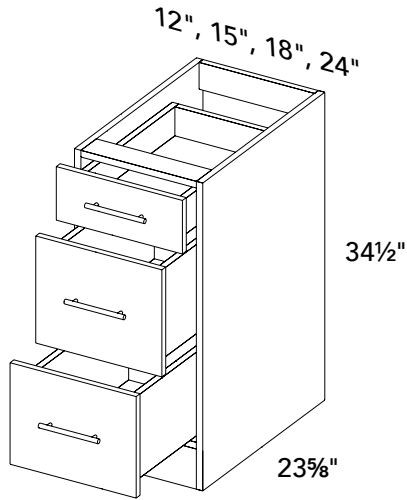


**WSOB24
WSOB30
WSOB36**

- Single full depth adjustable shelf
- 24" cabinet includes a single drawer pull

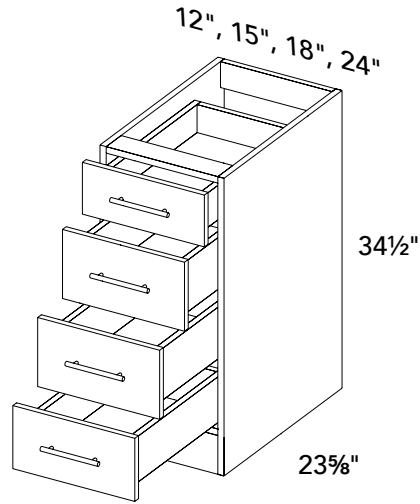


Open Back 3 Drawer Base



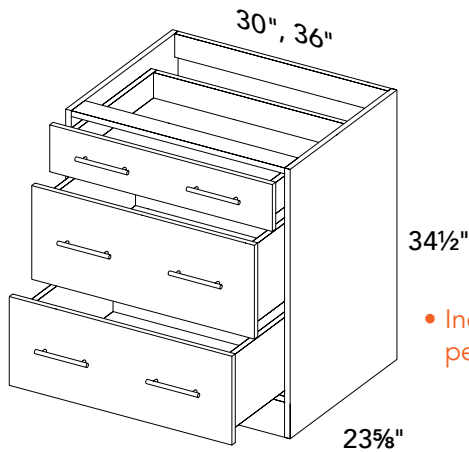
WSOB3D12
WSOB3D15
WSOB3D18
WSOB3D24

Open Back 4 Drawer Base



WSOB3D12
WSOB3D15
WSOB3D18
WSOB3D24

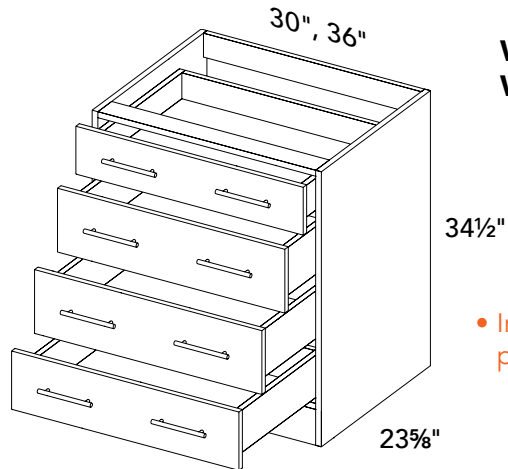
Open Back 3 Drawer Base



WSOB3D30
WSOB3D36

- Includes 2 pulls per drawer

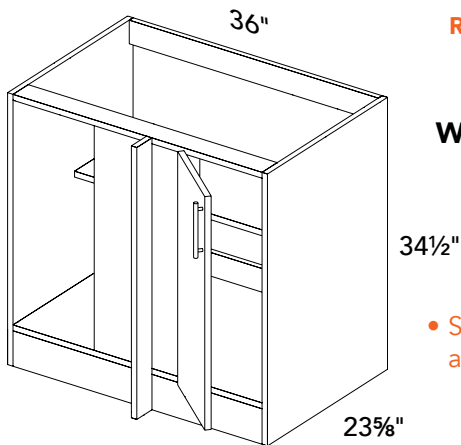
Open Back 4 Drawer Base



WSOB4D30
WSOB4D36

- Includes 2 pulls per drawer

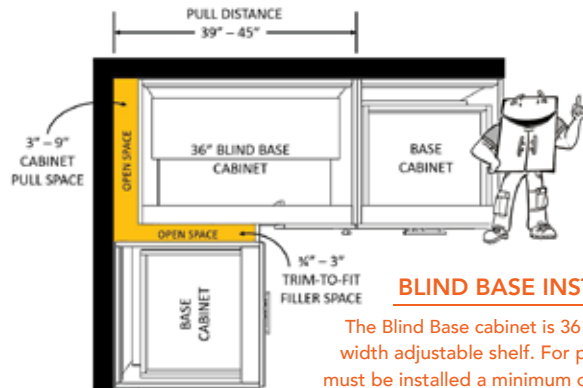
Open Back Blind Base



SPECIFY
RIGHT or LEFT
HINGED
(left shown)

WSOBBL39FH

- Single half-depth adjustable shelf

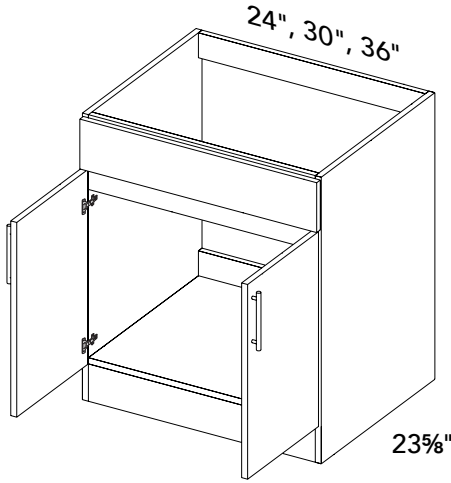


BLIND BASE INSTALL TIP

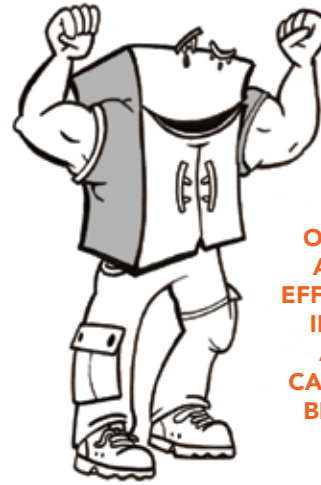
The Blind Base cabinet is 36" wide, with a full width adjustable shelf. For proper function, it must be installed a minimum of 3" away from the adjacent wall. This allows the doors to fully open and compensate for angle variances of the inside corner. In order to accommodate multiple width requirements, the Blind Base can be 'pulled' up to 9" away from the adjacent wall. This cabinet requires a minimum overall wall space of 39" in width to a maximum of 45" in width.



Open Back Sink Base



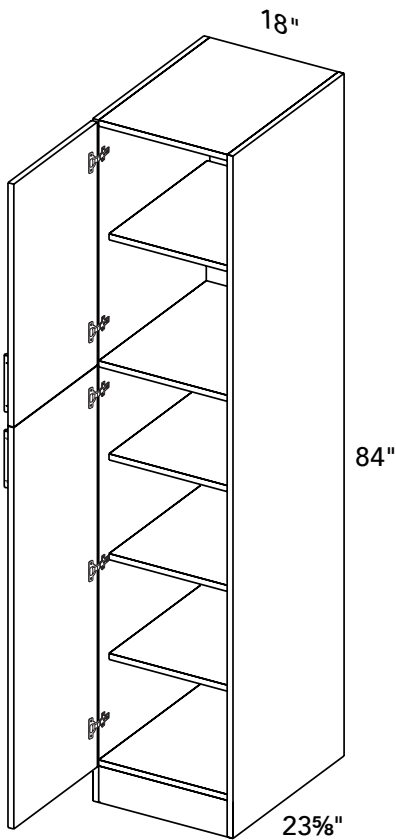
**WSOSB24
WSOSB30
WSOSB36**



DESIGN TIP

OPEN BACK CABINETS ARE THE MOST COST EFFECTIVE OPTION WHEN INSTALLING AGAINST A WALL. FULL BACK CABINETS SHOULD ONLY BE USED FOR ISLANDS AND PENINSULAS.

Utility Cabinet



**SPECIFY
RIGHT or LEFT
HINGED
(left shown)
WSOU1884**

- 4 full depth adjustable shelves
- (3) 10" mounting rails - top, middle, bottom

3" Filler Strips



**30" Tall
WSF330A-RG
WSF330A-RW**

**34.5" Tall
WSF3345A-RG
WSF3345A-RW**

**40.5" Tall
WSF3405A-RG
WSF3405A-RW**

**84" Tall
WSF384A-RG
WSF384A-RW**

- Available in both Radiant White and Rustic Gray

9" Filler Strips

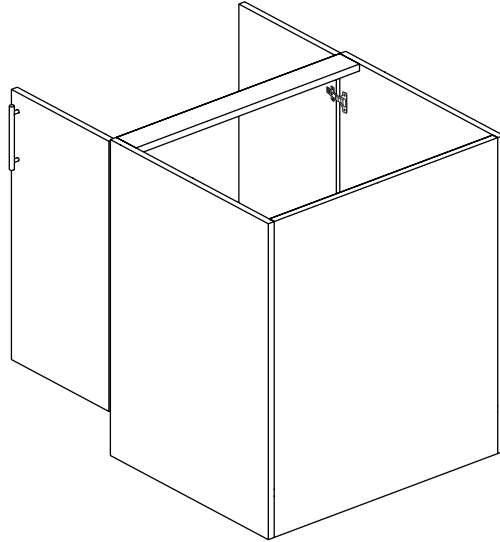


**WSF9345A-RG
WSF9345A-RW**

- 34.5" tall
- Available in both Radiant White and Rustic Gray



ISLAND BASE CABINETS

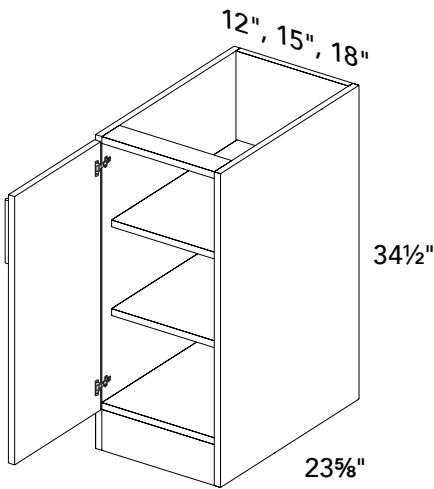


BACK VIEW

Island Base Cabinets feature a full-height 3/4" enclosed back panel, so the cabinets can be installed as a free standing island or as a peninsula extending from a wall.

PLEASE NOTE: FREE STANDING CABINETS MUST BE SECURED TO AVOID TIPPING

Island Back Full Height Single Door Base

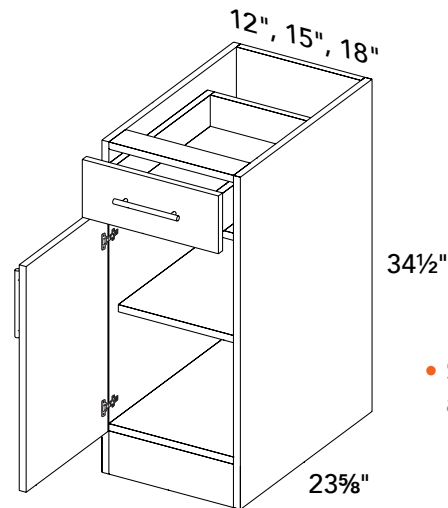


SPECIFY RIGHT or LEFT HINGED

**WSIB12FH
WSIB15FH
WSIB18FH**

- Two full depth adjustable shelves

Island Back Single Door Base

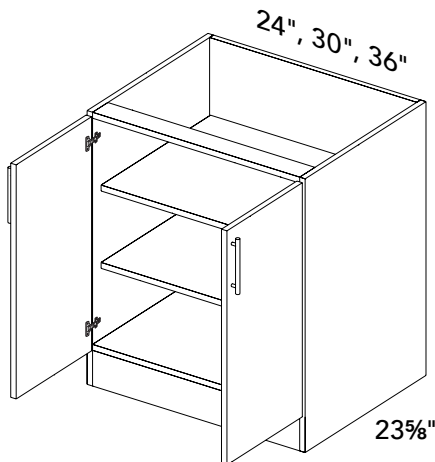


SPECIFY RIGHT or LEFT HINGED

**WSIB12
WSIB15
WSIB18**

- Single full depth adjustable shelf

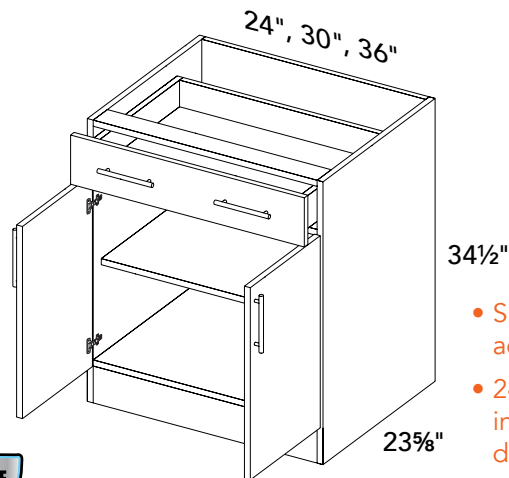
Island Back Full Height Double Door Base



**WSIB24FH
WSIB30FH
WSIB36FH**

- Two full depth adjustable shelves

Island Back Double Door & Drawer Base

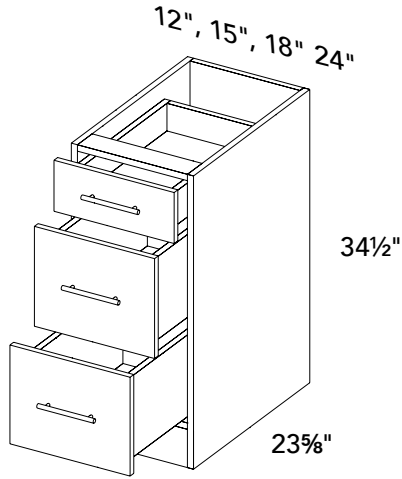


**WSIB24
WSIB30
WSIB36**

- Single full depth adjustable shelf
- 24" cabinet includes a single drawer pull

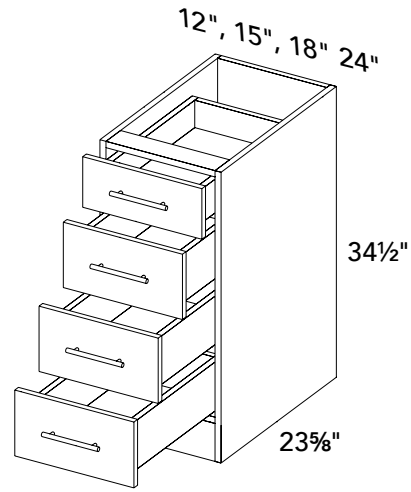


Island Back 3 Drawer Base



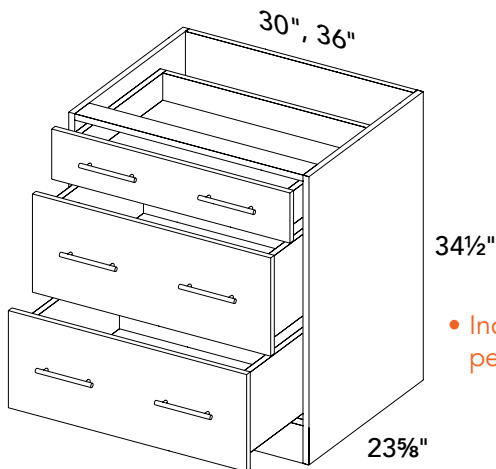
**WSIB3D12
WSIB3D15
WSIB3D18
WSIB3D24**

Island Back 4 Drawer Base



**WSIB4D12
WSIB4D15
WSIB4D18
WSIB4D24**

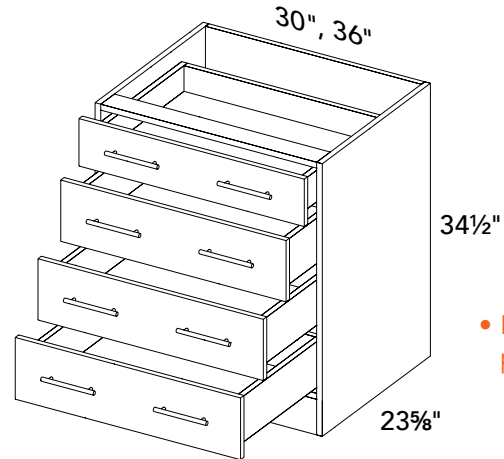
Island 3 Drawer Base (Wide)



**WSIB3D30
WSIB3D36**

• Includes 2 pulls per drawer

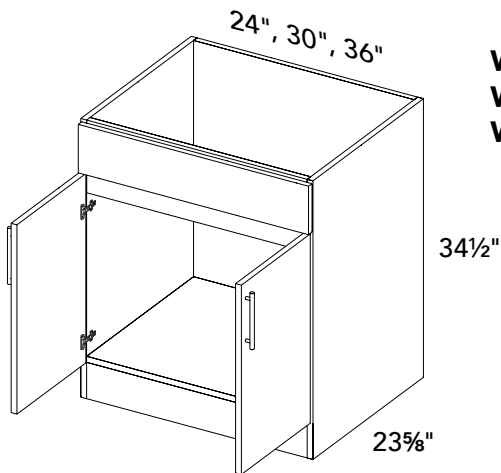
Island 4 Drawer Base (Wide)



**WSIB4D30
WSIB4D36**

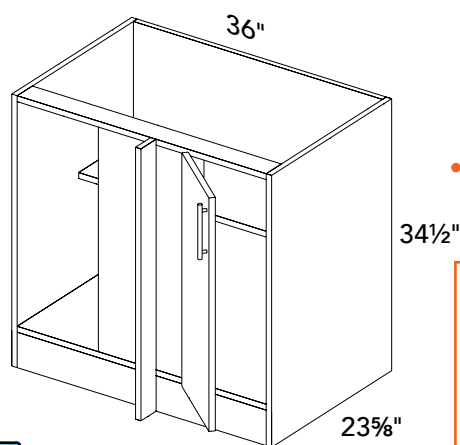
• Includes 2 pulls per drawer

Island Sink Base



**WSISB24
WSISB30
WSISB36**

Island Back Blind Base



**SPECIFY
RIGHT or LEFT
HINGED
(left shown)**

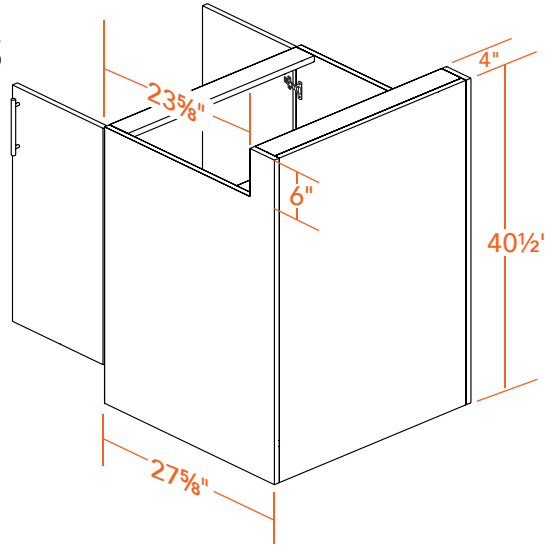
WSIBBL39FH

• Single half-depth adjustable shelf

**CABINET WIDTH
IS 36\" BUT
REQUIRES A
MINIMUM OF 39\"
WALL SPACE.
SEE PAGE 8
FOR BLIND BASE
INSTALL TIP.**



BAR CABINETS



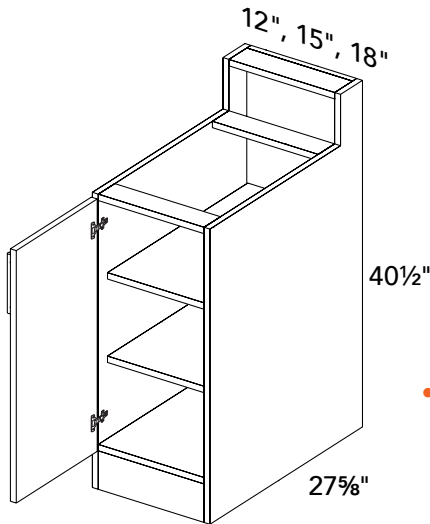
BACK VIEW

Bar Cabinets are built with a 4" deep x 6" high build-up to create a standard bar height of 40½". It also features a full-height ¾" enclosed back panel so cabinets can be installed freestanding.

The full cabinet depth is 27⅝", with a lower counter surface depth of dimension of 23⅝".

PLEASE NOTE: FREE STANDING CABINETS MUST BE SECURED TO AVOID TIPPING

Bar Back Full Height Door Base

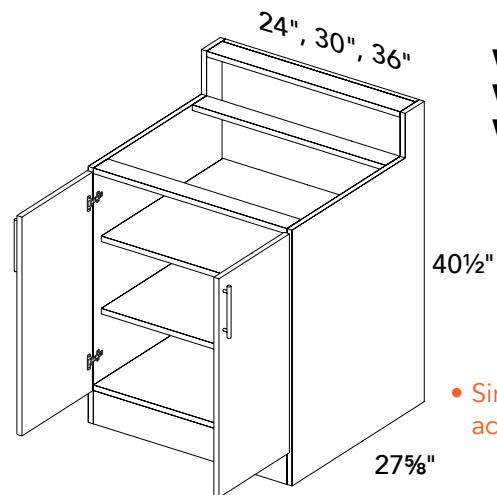


**SPECIFY
RIGHT or LEFT
HINGED**

**WSBB12FH
WSBB15FH
WSBB18FH**

- Single full depth adjustable shelf

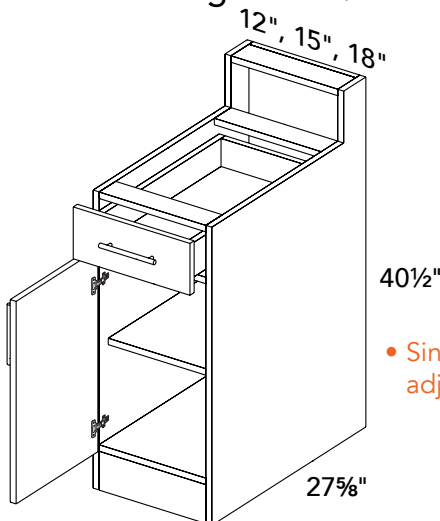
Bar Back Full Height Door Base



**WSBB24FH
WSBB30FH
WSBB36FH**

- Single full depth adjustable shelf

Bar Back Single Door/Drawer Base

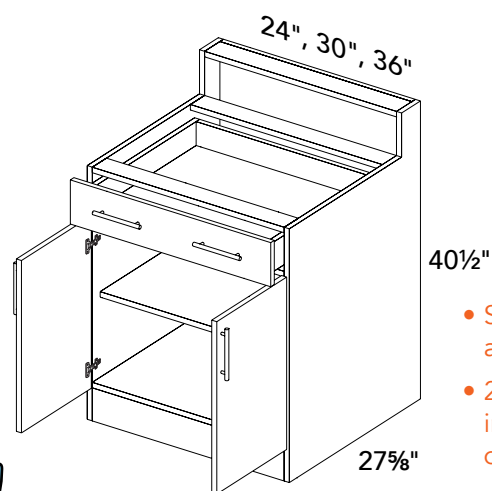


**SPECIFY
RIGHT or LEFT
HINGED**

**WSBB12
WSBB15
WSBB18**

- Single full depth adjustable shelf

Bar Back Double Door & Drawer Base

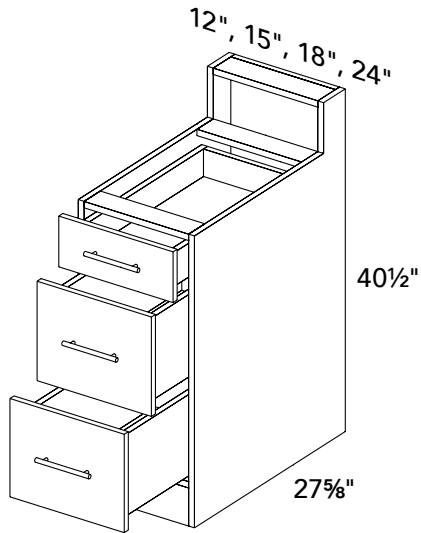


**WSBB24
WSBB30
WSBB36**

- Single full depth adjustable shelf
- 24" cabinet includes a single drawer pull

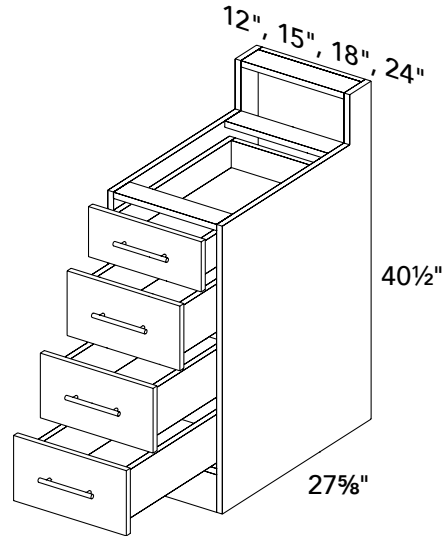


Bar Back 3 Drawer Base



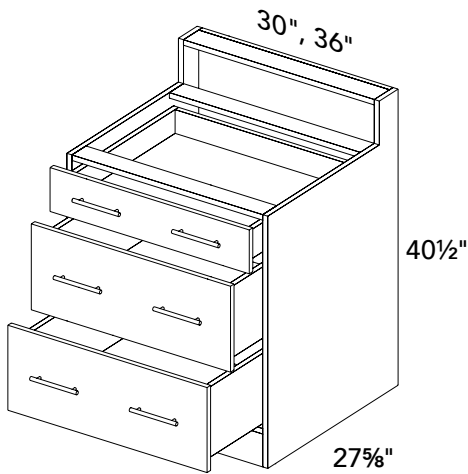
**WSBB3D12
WSBB3D15
WSBB3D18
WSBB3D24**

Bar Back 4 Drawer Base



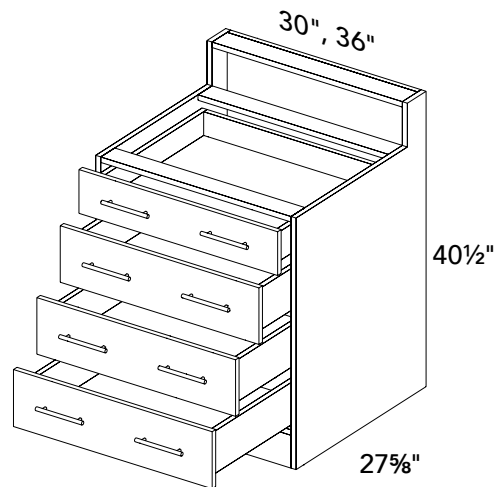
**WSBB4D12
WSBB4D15
WSBB4D18
WSBB4D24**

Bar Back 3-Drawer Base (Wide)



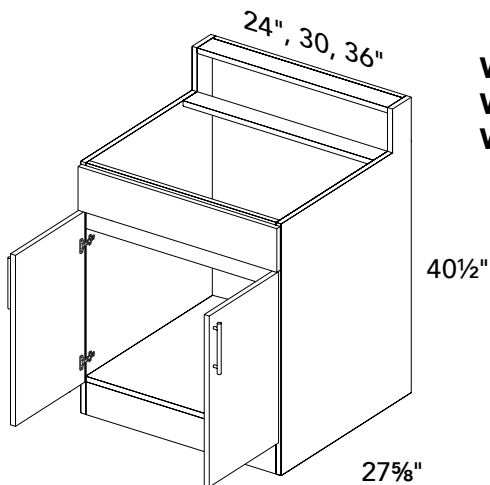
**WSBB3D30
WSBB3D36**

Bar Back 4-Drawer Base (Wide)



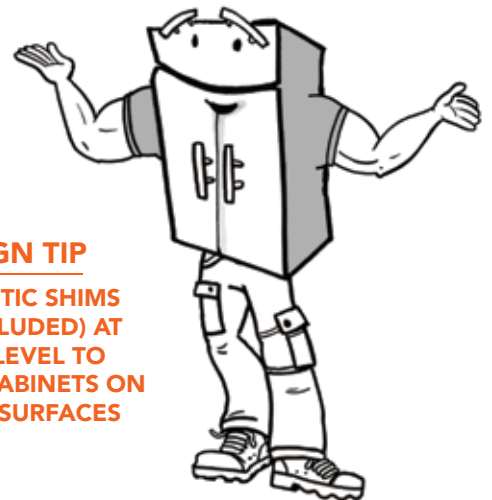
**WSBB4D30
WSBB4D36**

Bar Back Sink Base



**WSBBSB24
WSBBSB30
WSBBSB36**

DESIGN TIP
USE PLASTIC SHIMS
(NOT INCLUDED) AT
FLOOR LEVEL TO
SUPPORT CABINETS ON
UNEVEN SURFACES





Outdoor Cabinetry

5 Year Limited Warranty

Ideal Cabinetry™ (warrantor) warrants to the original consumer purchaser, that the WeatherStrong® branded outdoor cabinets will be free from defects in material and workmanship. This warranty is for a period of five years as long as you own the cabinetry and is not transferable to subsequent owners.

This warranty does not cover damage resulting from normal wear, accident, misuse or lack of reasonable and necessary maintenance and service; nor does it warranty the improper installation or unauthorized repair, alteration, or modification or defects in the product when the product is installed. This warranty is limited to the repair or replacement of the defective part at the sole discretion of warrantor.

It is our option to provide repair parts or replace with functionally equivalent product. Return of product may be required for replacements. Such repair parts or replacement shall be at warrantor's expense, but customer shall bear all other expenses, including, but not limited to, cost of removal, transportation, re-installation, communication and any special service required by customer such as, overtime labor, etc. Due to the nature of the product, replacement product may vary in color from original purchased product.

In the event of a WeatherStrong brand warranted product performance issue, submit request including proof of purchase documentation, specific description of warranty issue (include photos where possible) in writing to:

Warranty Department
210 Century Boulevard
Bartow, FL 33830

EXCEPT TO THE EXTENT PROVIDED BY APPLICABLE LAW, ALL IMPLIED WARRANTIES, INCLUDING WARRANTIES OF MERCHANTABILITY AND FITNESS FOR A PARTICULAR PURPOSE, ARE LIMITED IN DURATION TO THE SHORTER OF THE PERIOD PROVIDED BY LAW OR THE PERIOD OF THIS WARRANTY, AND UNDER NO CIRCUMSTANCE SHALL IDEAL CABINETRY BE LIABLE FOR INCIDENTAL OR CONSEQUENTIAL DAMAGES SUSTAINED IN CONNECTION WITH THE PRODUCT. THE EXPRESS WARRANTY ABOVE CONSTITUTES THE ENTIRE WARRANTY AND IS IN LIEU OF ALL OTHERS EXPRESSED OR IMPLIED.

Some states do not allow the exclusion or limitation of incidental or consequential damages, or limitation on how long an implied warranty lasts, therefore, the above limitations or exclusions may not apply to you. This warranty gives you specific legal rights, and you may also have other rights, which vary from state to state.

INDEMNITY

Ideal Cabinetry shall not be liable for either its failure to perform or its delays in performance hereunder arising out of or resulting from causes beyond its control, including but not limited to, acts of God, acts of Representation, acts of Government, wars, fires, epidemics, quarantine, strike, freight embargoes, or default by suppliers due to any such causes.

