

Please read carefully and save these instructions, as you may need them at a later date.

WARNING - RISK OF ELECTRIC SHOCK. DISCONNECT MAIN POWER AT FUSE OR CIRCUIT BREAKER BEFORE INSTALLING OR SERVICING THE FIXTURE.

GENERAL: All electrical connections must be in accordance with local and National Electrical Code (N.E.C.) standards. Be sure to read these instructions and review the diagrams thoroughly before beginning. If you are unfamiliar with proper electrical wiring connections obtain the services of a qualified electrician.

BEFORE YOU BEGIN

1. Check if the power source is suitable for the added electrical load. Power should be supplied by a 110/120 volt, 60 Hz single circuit. A standard 120 volt, 15 amp branch circuit is designed to carry a maximum load of 1800 watts. We recommend that the total wattage of all the lights and appliances on that circuit, not exceed 80% or 1440 watts, of the maximum electrical capacity.
2. This product is designed to be used with NM (Romex) cables only. Strain relief slots are provided to accommodate the NM cables. Do not use BX (armored) cables. They will not fit into the strain relief slots.
3. **This fixture is an IC type fixture. It may come in direct contact and be completely covered with thermal insulation that has an R-value of 3.85 or less. Some insulation types that meet this requirement are blanket batting/roll and blown-in loose fill. Do not install in a ceiling with spray foam type insulation.** Any part of the fixture may come in direct contact with any combustible material, such as a ceiling joist or floor board.
4. This fixture requires an existing ceiling surface, such as drywall, for installation. To install this fixture, a hole needs to be made into the ceiling surface at the desired location. Then, power supply wiring (NM cable) needs to be installed from the power source to the hole.
5. This fixture is designed for ceiling surfaces that are 3/4" thick or less. **Do not use this fixture on ceiling surfaces that are thicker than 3/4".**
6. To prevent wiring damage or abrasion, do not expose wiring to edges of sheet metal or other sharp objects.

UNPACK THE FIXTURE

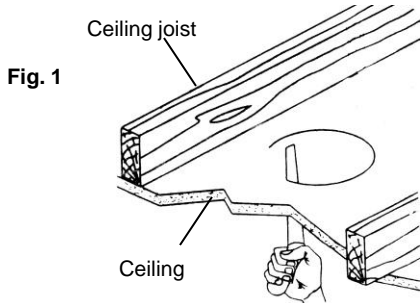
Check the contents of the box. You should have:

- 1 – EasyUp™ Trim with Magnetic Decorative Ring
- 1 – Hole Template (6 1/4" diameter)

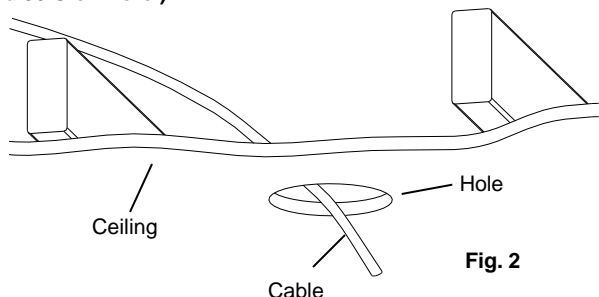
INSTALLING THE FIXTURE

NOTE: First turn off electricity at the circuit breaker or the fuse box. Turning the power off by using a wall switch is not sufficient to prevent electrical shock.

1. Choose the location for the fixture, taking into consideration the 6" depth clearance requirement, the location of ceiling joists and the accessibility for the electrical supply. Mark the selected location with a circle using the provided template.
2. Using a keyhole saw make a 6 1/4" hole in the ceiling surface. (Fig. 1) (**Note:** Be sure not to make the hole any larger than specified by the template. An oversized hole may not allow for proper installation.)

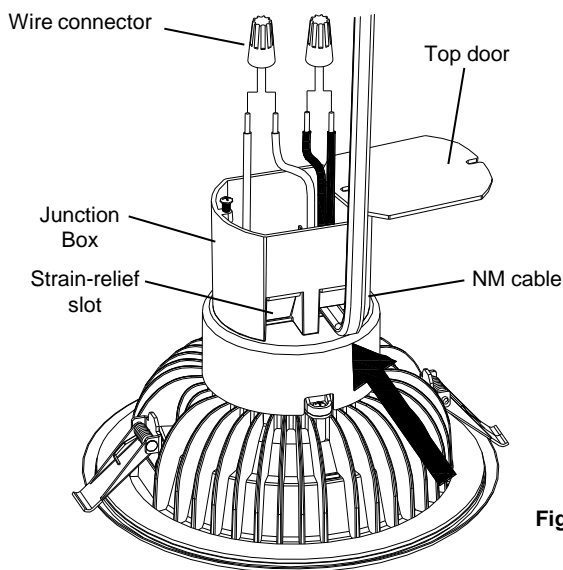


3. Run non-metallic (NM) cable (also known as Romex) from your circuit breaker or fuse panel to the hole, providing 6" (15,2 cm) to 8" (20,3 cm) of slack extending below the hole. Cable having up to 12 AWG wiring may be used. (Fig. 2) (**WARNING - Use cables having wires rated 90°C or more.**)

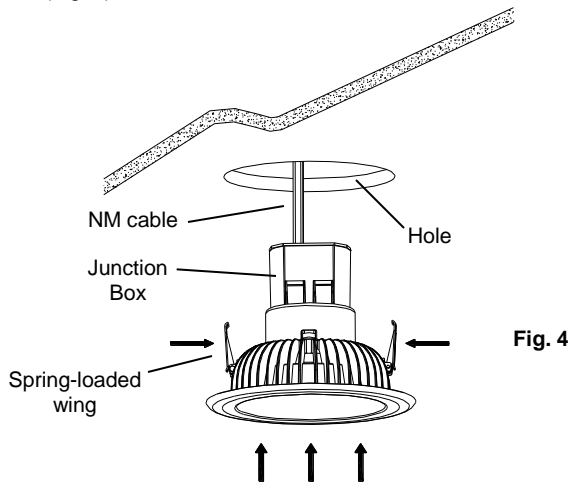


4. Open the top door of the junction box. Insert about 5 or 6 inches of the NM cable into the junction box through one of the provided strain-relief slots. (Fig. 3)
5. Remove at least 3" of the cable's outer sheath and remove the plastic or paper over-wrap. Strip approximately 3/8" of insulation from the ends of all supply wires. Using the wire connectors (not provided), make the following wire connections within the junction box (Fig. 3):

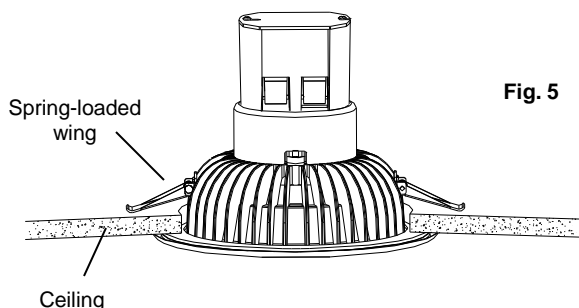
WHITE Fixture Wire to WHITE (NEUTRAL) Supply Wire
BLACK Fixture Wire to BLACK (HOT) Supply Wire



6. Carefully stuff the wires and the wire connections into the junction box. Close the junction box top door. Tighten the fastening screw.
7. Raise the EasyUp™ trim up to the ceiling hole, while simultaneously pushing the excess NM cable into the hole. (Fig. 4)
8. Flip up and squeeze the spring-loaded wings against the junction box, as shown, and insert the EasyUp™ trim into the hole, junction box first. (Fig. 4)



9. Continue inserting the EasyUp™ trim into the hole, while continuing to squeeze the spring-loaded wings. When the wings reach the hole edge, release them and push up the EasyUp™ trim until both wings flip down onto the ceiling surface. (Fig. 5) The decorative ring of the EasyUp™ trim should be flush against the ceiling surface.



DIMMING

Dimming performance may depend on the dimmer, the dimmer range adjustment setting (for dimmers with brightness range adjustments), the wiring method, and/or the number of LED modules installed onto the dimmer circuit.

For dimmer selection, it is recommended to use one of the following dimmers:

- *Leviton Decora SureSlide®* - 6631, 6674 (Universal); *Leviton IllumaTech®* - IPI06-1L, IPL06-10 (Universal)
- *Lutron Ariandni®/Toggler®* - TGCL-153P, AYCL-153P; *Lutron Diva®* - DVWCL-153P, DVCL-153P; *Lutron Luméa®* - LGCL-153P, *Lutron Maestro®* - MACL-153M; *Lutron Skylark®* - S-600, S-603P, SCL-153P; *Lutron Skylark Contour™* - CTCL-153P.
- For best results, it is recommended to install a minimum of four LED modules onto one dimmer.
- Before turning on the LED lights, set dimmer position at maximum before adjusting to a lower light level.
- Please follow the dimming control manufacturer's instructions for the installation of all dimming controls.

TROUBLESHOOTING

SYMPTOM	ACTION	SOLUTION
Lights do not come on at all	Disconnect LED driver connector from LED board. Using a volt meter, measure LED driver open-circuit output voltage.	If a voltage is measured, then LED driver is working. Replace LED board. If no voltage is measured, then replace LED driver.
Lights flicker	Disconnect LED driver connector from LED board. Using a volt meter, measure LED driver open-circuit output voltage.	If a voltage is fluctuating, then replace LED driver. If a constant voltage is measured, then LED driver is working. Replace LED board.
Lights flicker during dimming	Check if dimmer being used is in compatible dimmer list from "DIMMER" section	If dimmer is not on list, replace dimmer from the list
Fuse blows or circuit breaker trips when light is turned on	Check wire connections inside the junction box	If wiring connections are loose or disconnected, redo connections. Make sure that there are no exposed wire conductors. If wiring connections are good, the trim may be defective and will need to be replaced.

FIVE-YEAR LIMITED WARRANTY

LiteChoice® warrants this product to be free from defects in material and workmanship for five years from the original date of purchase by the consumer. This warranty is limited to the counter replacement at the time of purchase, with the original purchase receipt. **LiteChoice®** will not be liable for the loss or damage of any kind, incidental or consequential damages of any kind, whether based on warranty contract or negligence, and arising in connection with the sale, use or repair of the product claimed to be defective. Some states do not allow the exclusion or limitation of incidental or consequential damages so the above limitation may not apply to you. This warranty gives you specific legal rights and you may also have other rights, which vary from state to state. Misuse, accident, improper installation or maintenance will also void the warranty.

LED DRIVER REPLACEMENT

NOTE: First turn off electricity at the circuit breaker or the fuse box. Turning the power off by using a wall switch is not sufficient to prevent electrical shock.

1. Pull the EasyUp™ Trim down from the ceiling. (**NOTE:** When pulling the trim down, the spring-loaded wings will flip down forcefully. To prevent the spring-loaded wings from hitting one's fingers, partially pull down the trim about 1" to locate the spring-loaded wings. Push the trim back into the ceiling. Reposition fingers away from the spring-loaded wings and pull down the entire trim so that the spring-loaded wings flip down and the trim hangs about 6" to 8" from the ceiling.)
2. Open the top door of the junction box. Disconnect wire connections by removing wire connectors.
3. Using a flathead screwdriver, carefully pry open any strain relief slot tab to remove its NM cable. Remove all NM cables.
4. Remove the decorative magnetic ring. Using a flathead screwdriver, push out the lens tabs located on the side of the heat sink. This will detach the lens from the heat sink, allowing access to the LED board.
5. Detach wire connector from LED board. (Fig. 6)

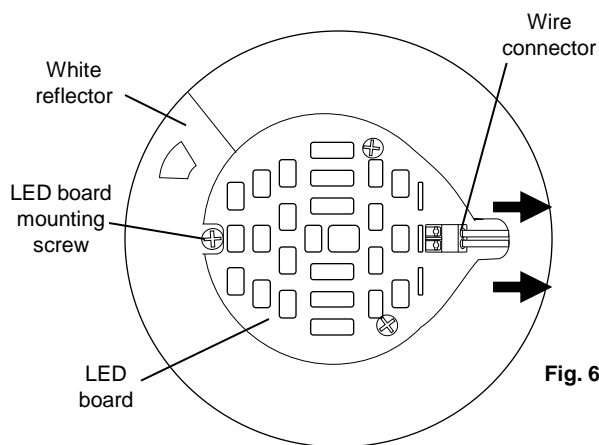


Fig. 6

6. Remove the two screws located inside the junction box. Lift off the junction box from the LED driver. Remove the two mounting screws securing the LED driver to the heat sink. Lift off the LED driver from the heat sink, while pulling its output wires and wire connector through the heat sink hole. Discard the LED driver.
7. Insert the output wires and wire connector of the new LED driver into the heat sink hole and push them into the LED compartment. Connect the wire connector to the LED board. (Fig. 6)
8. Replace the lens back onto the heat sink. Replace the decorative magnetic ring.
9. Replace the new LED driver onto the heat sink using the previously removed mounting screws. Replace the junction box onto the new LED driver using the previously removed screws.
10. Starting on Step 4, follow the steps in the "INSTALLING THE FIXTURE" section to complete the reinstallation. (NOTE: Reuse the wire connectors removed in Step 2 for Step 5 of the "INSTALLING THE FIXTURE" section.)

This device complies with part 15 of the FCC Rules. Operation is subject to the following two conditions:

1. This device may not cause harmful interference, and
2. This device must accept any interference received, including interference that may cause undesired operation.

NOTE: This equipment has been tested and found to comply with the limits for a Class B digital device, pursuant to Part 15 of the FCC Rules. These limits are designed to provide reasonable protection against harmful interference in a residential installation. This equipment generates, uses and can radiate radio frequency energy and, if not installed and used in accordance with the instructions, may cause harmful interference to radio communications. However, there is no guarantee that interference will not occur in a particular installation. If this equipment does cause harmful interference to radio or television reception, which can be determined by turning the equipment off and on, the user is encouraged to try to correct the interference by one or more of the following measures:

- Reorient or relocate the receiver antenna.
- Increase the separation between the equipment and receiver.
- Install the product onto a circuit different from that to which the receiver is connected.
- Consult with the dealer or an experienced radio/TV technician for help.

CAUTION: Any changes made to the electronics circuit will void this equipment's compliance with Part 15 of the FCC Rules and should not be operated.