

Gross weight :	6.5kg / 14.3 lbs
Main material :	Steel panel
Surface processing:	Spray lacquer
Angle adjustment:	TILT 0°~12° Swivel continuous adjustment

This wall mount bracket is compatible with VESA100/ 200/ 300/ 400/ 600 mm mountin holes



Products Through Innovation

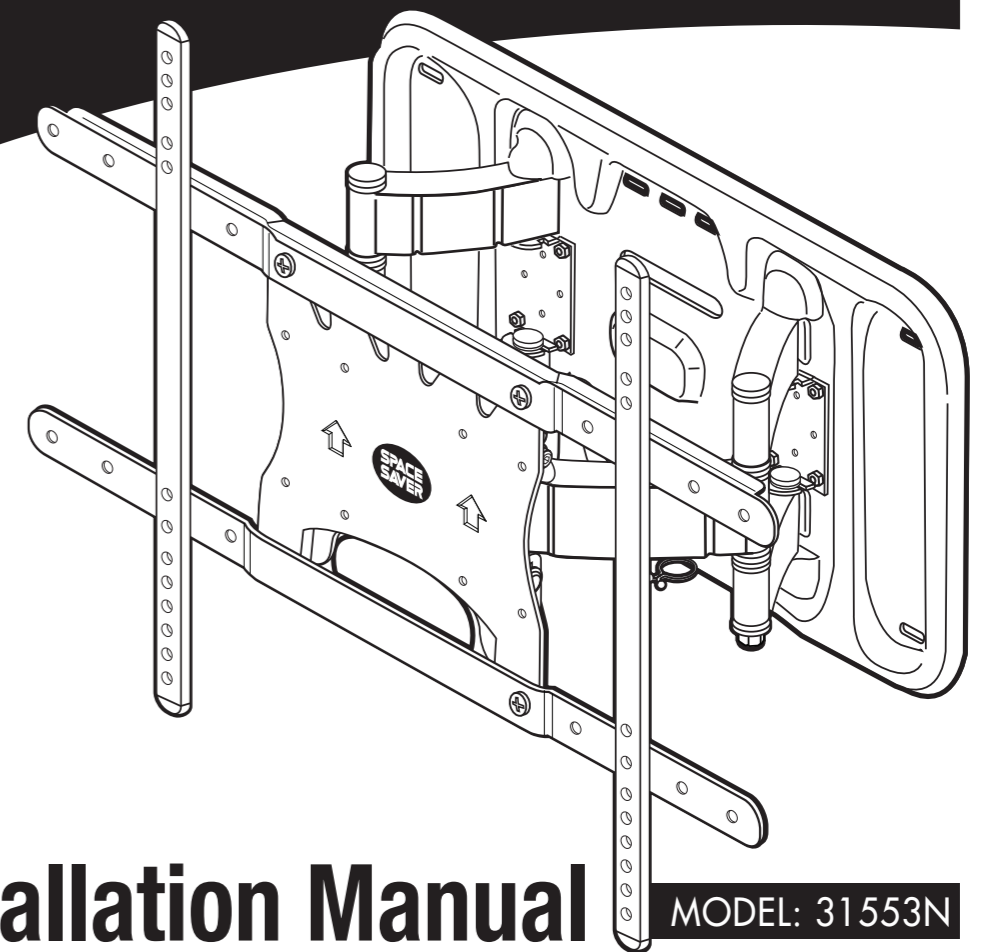
450 Seventh Ave., Suite 2809
 New York, N.Y. 10123,
 Tel. 212-239-8230
 Fax. 212-239-8240
 www.stcny.com



SPACE SAVER
 Mounting Systems

ULTRA SLIM

Compatible with
VESA
 100/200/300/400/600



Installation Manual

MODEL: 31553N

Full Motion
 Wall Mount
 for LED/LCD
 TV's

Montaje de pared
 totalmente móvil
 para LED/LCD
 televisores



Products Through Innovation

If you have any
 questions please
 don't hesitate to
 contact us at:

Si usted tiene alguna
 pregunta no
 dude contactarnos por:

Toll free number:

Teléfono gratuito:

800-293-2923



BEFORE YOU BEGIN, MAKE SURE YOU CAREFULLY READ AND UNDERSTAND THE INSTRUCTIONS IN THIS MANUAL.

This bracket system incorporates a slip on mount design. Our goal is to make this installation easy for you. Please follow the instructions in the order presented in this manual and be sure to observe all warnings and cautions

IMPORTANT WARNINGS AND CAUTIONS!

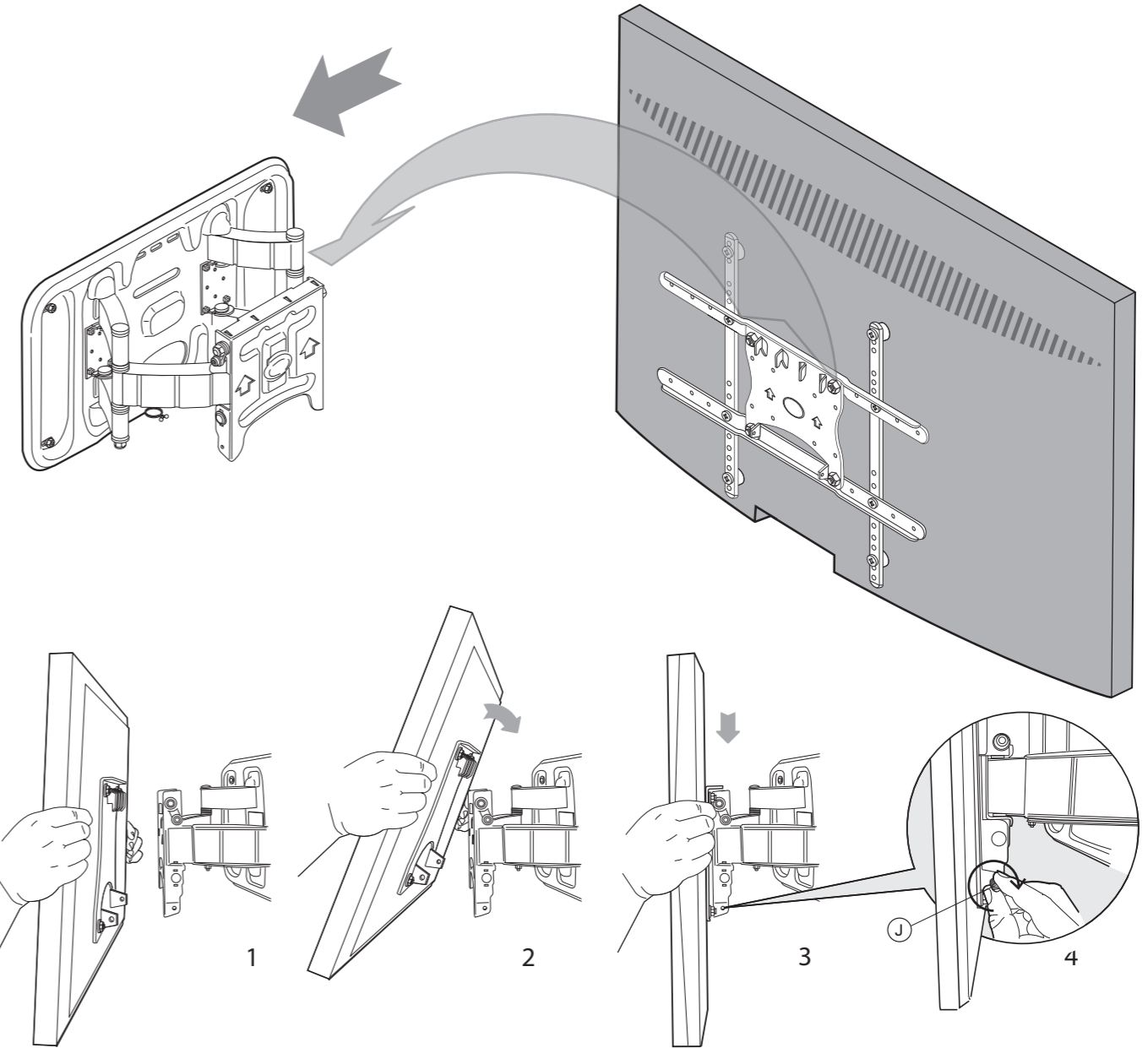
WARNING: Failure to provide adequate structural strength for this component can result in physical injury and/or damage to equipment. It is the installer's responsibility to make sure the structure to which this component is attached can support four times the combined weight of all equipment. Reinforce the structure as required before installing the component.

WARNING: Improper installation can result in serious physical injury. This mount has been tested to support 130 lbs (58.9 kgs.) Do not exceed that weight.

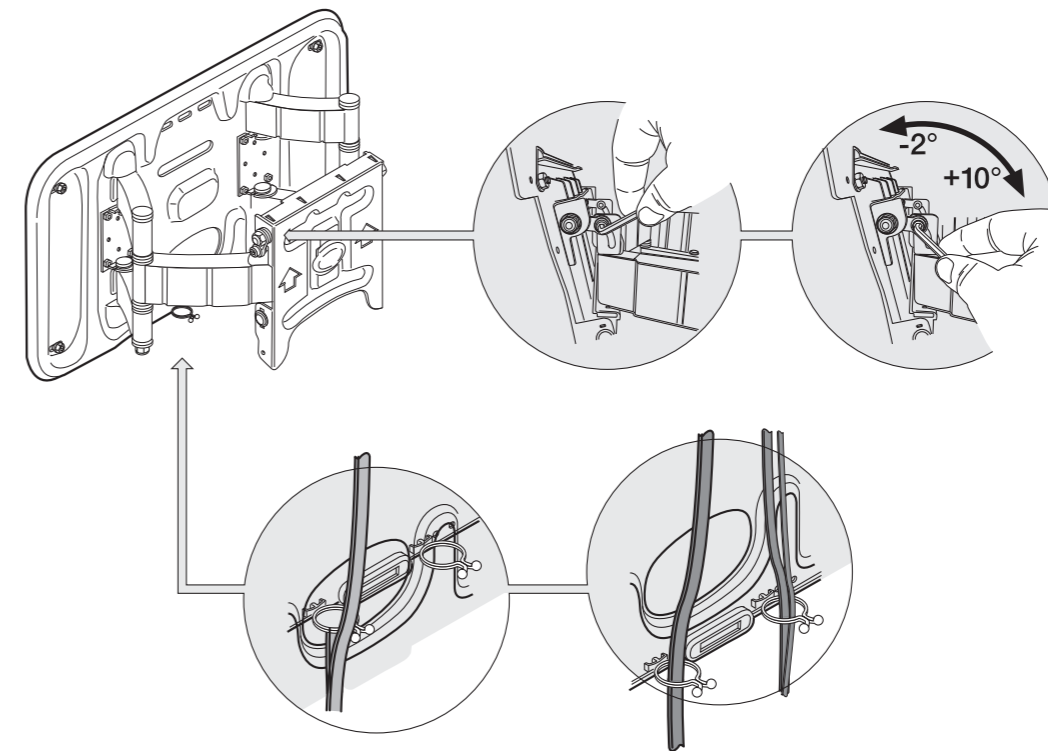
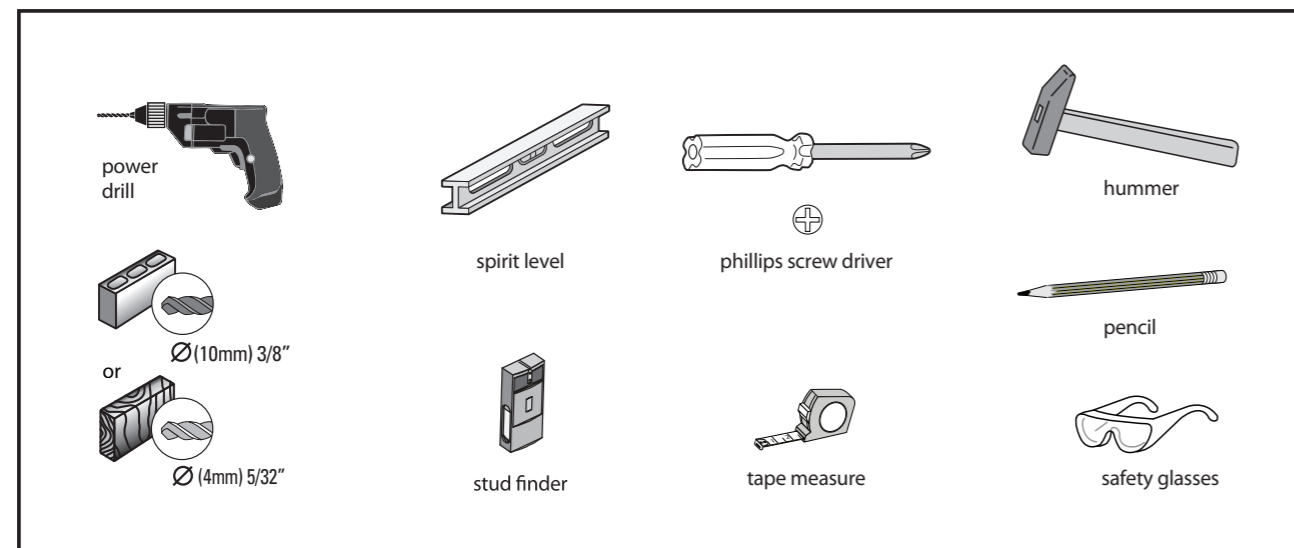
WARNING: Safety measures must be observed at all times during the installation of this product. Use proper safety gear and tools during the installation process to prevent physical injury.

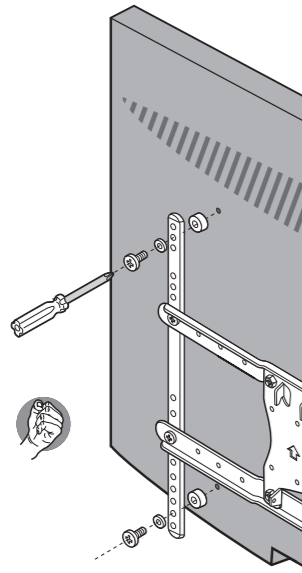
CAUTION: Do not install on a structure that is prone to vibration, movement or chance of impact. Doing so could result in damage to the at panel display and/or mounting surface.

CAUTION: Do not install near a heater, replace, direct sunlight or any other source of direct heat. Doing so could result in damage to the at panel display and could increase the risk of fire.

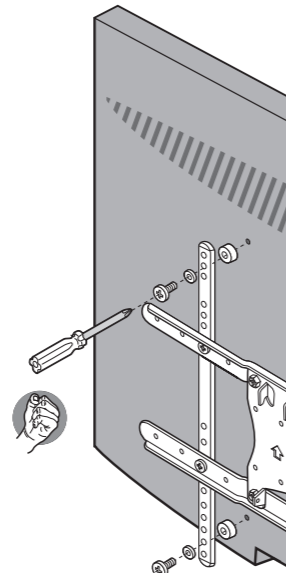
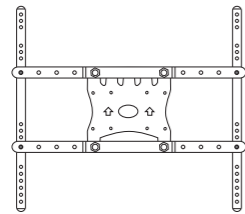


Required tools Herramientas necesarias

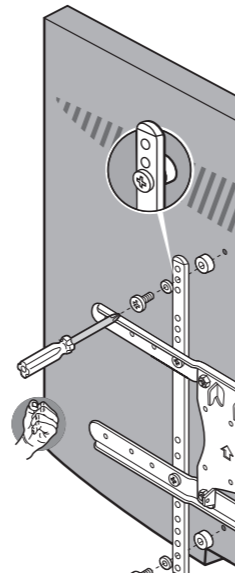
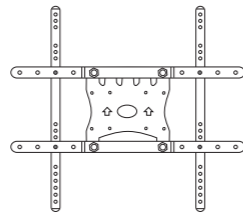




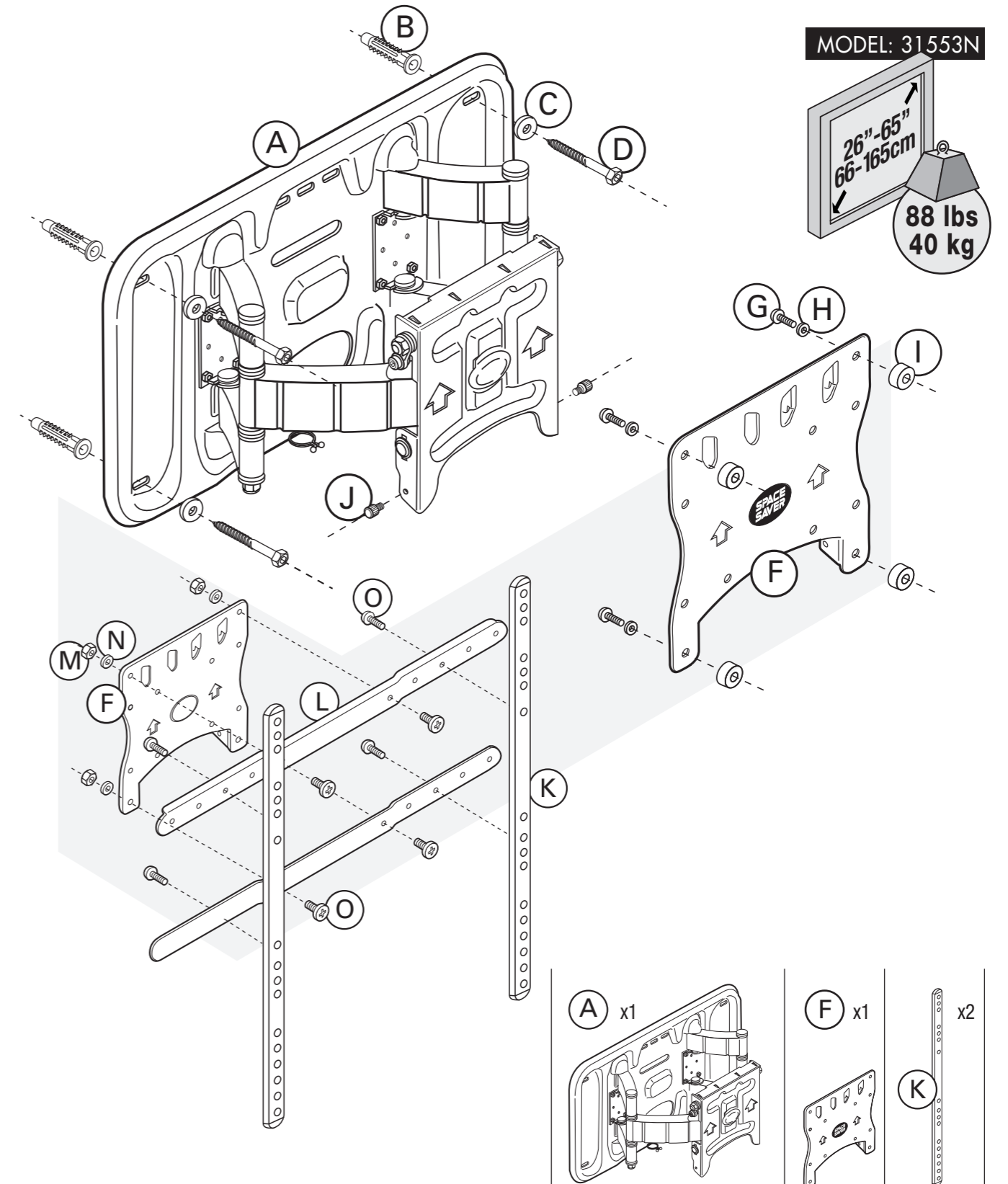
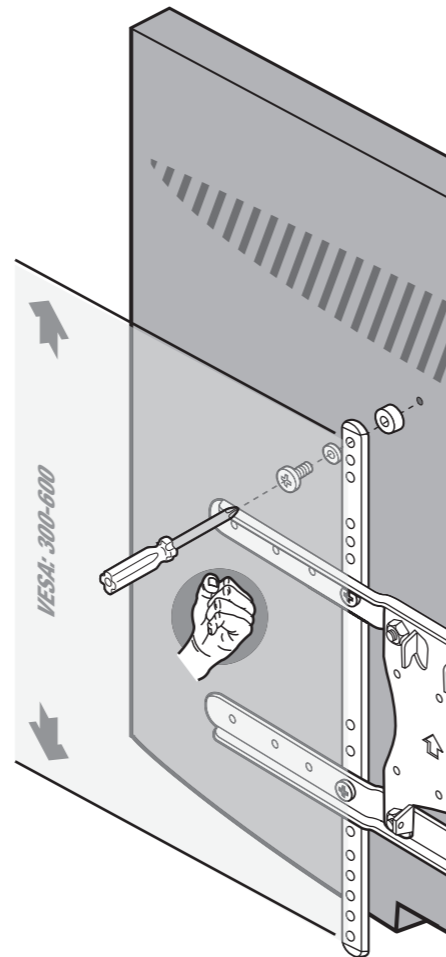
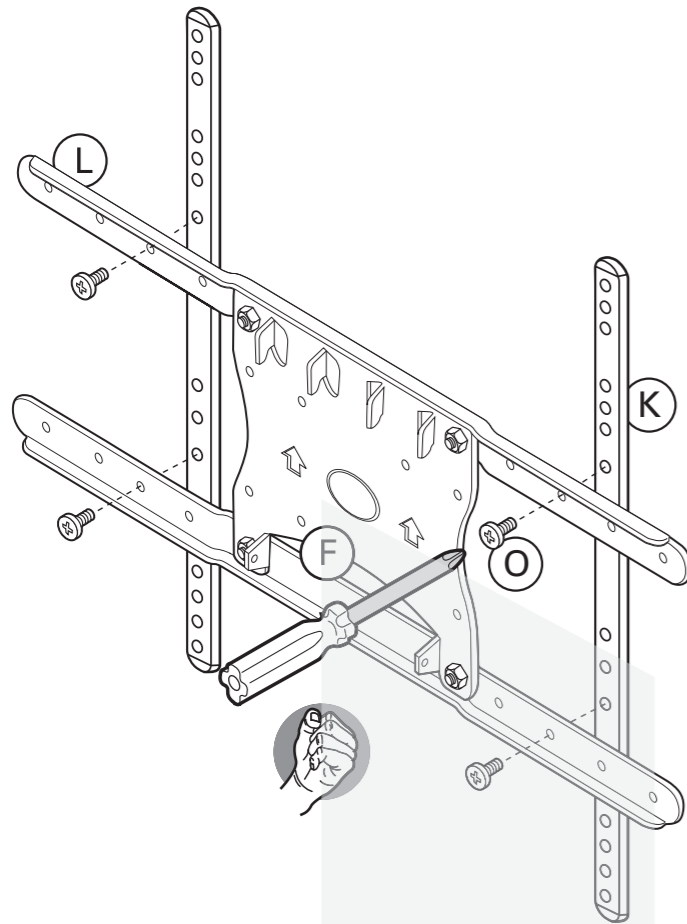
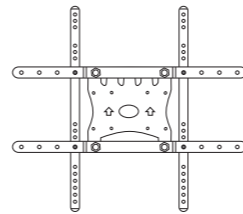
VESA: 600X...



VESA: 400X...



VESA: 300X...



E x1 	D x4 	I x4 	L x2 	M x4 	N x4
B x4 	C x4 	J x2 	M4X12 M5X16 M6X16 M8X25 G x4 	H x4 M4 M5 M6 	O x4
			A x1 	F x1 	K x2

