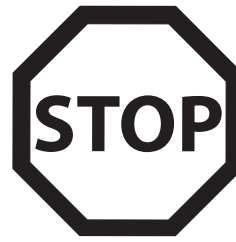


Swing-N-Slide®

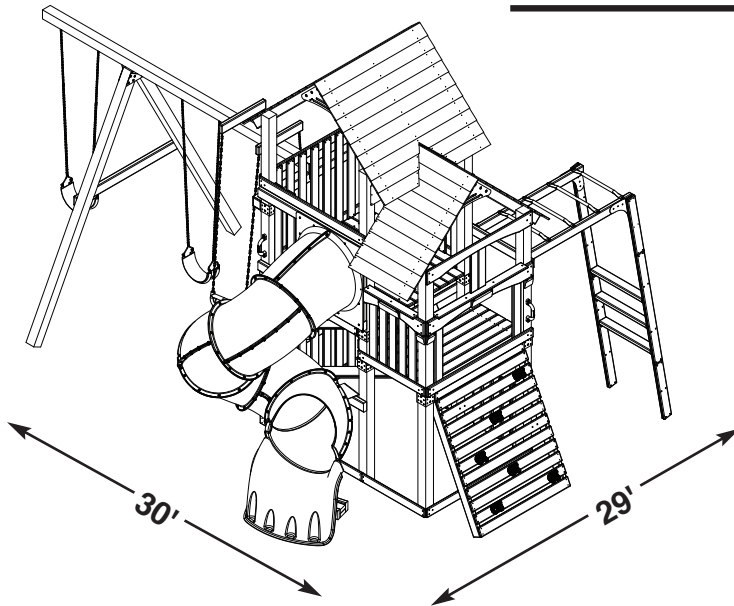
A PLAYCORE Company

PB 9240



READ THIS FIRST

FOR DIRECTIONS
ON ATTACHING
THE TURBO TUBE
SLIDE TO THE
SKY TOWER KIT:



No. of Children: Up to 12
Min. Use Zone: 30' x 29'
Set Dim. 18'W x 14'L x 12'H
Est. Building Time: 10-12 hr.

When attaching the Turbo Tube Slide to the Sky Tower Kit, certain parts of the tower must be modified. Please familiarize yourself with the steps included in this plan so that you can adapt your unit properly as you construct it.

IMPORTANT!!

PLEASE READ BEFORE BEGINNING ASSEMBLY!!

Please make sure all lumber, hardware and accessory parts are accounted for. If you are missing anything, please **DO NOT RETURN** to the store where purchased. Please call our Customer Service Department at the number below.

To register your product visit:

<http://www.swing-n-slide.com>

Other benefits include information on product warranties, assembly plan updates, joining our mailing list for new products and promotions, receiving our newsletter, and providing feedback on products.

Swing-N-Slide • 1212 Barberry Drive • Janesville, Wisconsin 53545
Visit our web site at: www.swing-n-slide.com or call us at

1-800-888-1232



A PLAYCORE Company

Safety Checklist for Swing-N-Slide Play Sets and Accessories

Observing the following statements and warnings reduces the likelihood of serious or fatal injury

Installation Safety – Have You:

- Consulted the assembly instructions supplied with your particular model?
- Noted this accessory is to be used only on Swing•N•Slide approved designs? (Do not alter its design or add/remove components.)
- Made sure all hardware is tightened securely? (Supplied bolt covers must also be fastened securely.)
- Using a hacksaw, cut off all protruding threaded ends of bolts and other fasteners and remove any sharp edges with a metal file as needed, and coated fastener ends with lead free paint?
- Placed the equipment on level ground, not less than six feet (1.8 meters) from any structure or obstruction such as a fence, garage, house, overhanging branches, laundry lines, or electrical wires?
- Made sure home playground equipment is not installed over concrete, asphalt, packed earth or any other hard surface? (A fall onto a hard surface can result in serious injury to the equipment user.)
- Verified that suspended climbing ropes, chain, or cable are secured at both ends?
- Consulted in assembly instructions of your particular model for minimum use zones?
- Used a water sealant on your play set to protect the wood and prevent cracking and warping?
- Followed all anchoring and shock absorbing surfacing requirements on the back of this sheet as they apply?
- Made sure not to allow children to use equipment until it is properly installed?
- Made sure to adjust all swings so there is a minimum 8" clearance between the swing and the ground surface?

Operating Safety – Have You:

- Determined that on-site adult supervision is provided for children of all ages?
- Warned children the following before allowing them to use the equipment?
 - Not to walk close to, in front of, behind or between moving items.
 - Not to twist swing or any other accessory chains or ropes or loop them over the top support bar since this will reduce the strength of chain or rope.
 - Not to swing empty seats or other accessories.
 - Not to slide down swing chains.
 - Be sure to sit in the center of the swing seat and other accessories with full weight on the seat.
 - Not to attach items to the playground equipment that are not specifically designed for use with the equipment such as but not limited to, jump ropes, clotheslines, pet leashes, cables and chain. They may cause a strangulation hazard.
 - Not to climb or walk on the top of swing beams, railings or roof.
 - Not to use equipment in a manner other than intended.
 - Not to get off equipment while it is in motion.
 - Not to climb on the equipment when it is wet.
 - Be sure to go down slides feet first.
- Determined that only one child per planned occupant seat should be allowed on this set at one time.
- Determined children must be dressed appropriately for play. Avoid hooded jackets, bicycle helmets, clothing with draw strings and loose fitting clothes which could become entangled or snagged on equipment.
- Determined that suspended climbing ropes, chain, or cable cannot be looped back upon itself.
- Made certain the slide is placed so that it is not in direct sunlight.

Safety Maintenance – At the beginning of every season and twice monthly thereafter:

- Rake and check depth of loose fill protective surfacing material to prevent compaction and maintain appropriate depth. Replace as necessary.
- Check all nuts, bolts and C-Links during the usage season for tightness and tighten as required. (It is particularly important that this procedure be followed at the beginning of each season.)
- To prevent the deterioration of materials, remove plastic swing seats and other plastic accessories when outdoors temp dips down to or below 32° F and take indoors.
- Oil all metallic moving parts monthly during usage period.
- Check all hardware and equipment for sharp edges during usage season. (Replace when necessary. It is especially important to do this at the beginning of each new season.)
- Check swing seats, chains, ropes and cables monthly during usage season for evidence of deterioration. Severe rusting or excessive wear, especially near the top swing hanger or at the seat connection are evidence of chain deterioration. Cracks in the protective plastic sleeve or seat itself are also signs of deterioration. If any of these conditions exist, call 1-800-888-1232 to order replacement accessories.
- Sand rusted metal parts and repaint using non-lead based paint.
- Check all wood members for deterioration and splinters. Sand down splinters and replace deteriorating wood members.

Disposal Instructions

When the equipment is taken out of service, it must be disassembled and disposed of in such a way that no unreasonable hazards will exist at the time the set is discarded.

**Important! Additional Safety Instructions for all Swing-N-Slide Playground Equipment.
Save this instruction sheet in the event the manufacturer needs to be contacted.**

This product is intended for single family home/residential use only and not intended for use in any public setting. Placement in any public setting constitutes a misuse of this product.

IMPORTANT!

ADDITIONAL REQUIRED SAFETY INSTALLATION INSTRUCTIONS

According to ASTM requirements, all kits must be anchored to the ground and, if the unit has a climbing rope, the rope end must be anchored to the ground. If soil conditions permit stakes to be pulled out easily, cementing into ground is necessary.

- **To anchor the unit to the ground.** Follow the instructions included in this plan for applying Anchor-It devices to your unit, or use 2" x 4" x 18" (45mm x 95mm x 457mm) pressure-treated stakes. Pound stakes into ground at least 12" (305mm) at all inside corners of the posts (including A-frame legs and climbing unit posts). Attach with four (4) 16D (3-1/2") galvanized nails per stake into each tower and/or A-frame upright.
- **If the unit has a climbing rope,** anchor the rope end.
- **Once the unit is completely assembled and before children are allowed to play on it, proper shock-absorbing surfacing material must be installed.** This may be accomplished by using loose-fill materials at a sufficient depth. The Consumer Product Safety Commission "Handbook for Public Playground Safety" lists the following materials and required depths that are sufficient for home/residential application. For fall height protection up to 9 ft. (2.742m) [recommended for Swing•N•Slide kits]:

LOOSE FILL MATERIAL

Wood Mulch
Double Shredded Bark Mulch
Uniform Wood Chips
Fine Sand
Fine Gravel

REQUIRED (UNCOMPRESSED) DEPTH¹ in. (mm)

9" (229mm)
9" (229mm)
12" (305mm)
12" (305mm)
12" (305mm)

¹These depths were derived from the CPSC Handbook. Swing•N•Slide has not done independent tests to determine these required depths.

When properly installed, shock absorbing material will completely cover the horizontal baseboards on climbing units. This protective surfacing must extend a minimum of 6 ft. (1.828m) in all directions from the perimeter of the equipment or from the outermost edges of any component. For example, a slide extending beyond the platform must have protective surfacing at least 6 ft. (1.828m) out from both sides as well as the end. For swings, the protective surface must extend **at least 14 ft. (6m)** out from **both** the back and front of the swing when the swing is in its rest position.

For further information on playground safety, the Consumer Product Safety Commission (CPSC) publishes the Outdoor Home Playground Safety Handbook which can be downloaded for free from www.cpsc.gov. An additional resource is the American Society of Testing and Materials (ASTM) Standard Consumer Safety Performance Specification for Home Playground Equipment (ASTM F1148) which can be purchased and downloaded from www.astm.org.

Swing-N-Slide® MANUFACTURERS LIMITED WARRANTY

Swing-N-Slide® takes great pride in the quality and durability of our products. Our Manufacturer's Limited Warranty provides confidence and demonstrates our commitment to providing quality residential playground products.

MANUFACTURER'S LIFETIME LIMITED WARRANTY

Swing-N-Slide® warrants its thermoformed slides and climbing mountains to be free from defects in workmanship and materials, under normal use and conditions, for the lifetime of the product.

MANUFACTURER'S 5 YEAR LIMITED WARRANTY

Swing-N-Slide® warrants its Custom Ready-to-Build Play Set kits and accessories to be free from defects in workmanship and materials, under normal use and conditions, for a period of 5 years.

MANUFACTURER'S 5 YEAR LIMITED WARRANTY

Swing-N-Slide® warrants its No-Cut and Wood Complete Ready-to-Assemble Play Set kits against wood rot and termite damage, and to be free from defects in workmanship and materials, under normal use and conditions, for a period of 5 years for structural wood components.

Cosmetic defects that do not affect the structural integrity of the product, or natural defects of wood such as warping, splitting, checking, twisting, shrinkage, swelling or any other physical properties of wood that do not present a safety hazard, are not covered by this warranty.

MANUFACTURER'S ONE YEAR WARRANTY

Swing-N-Slide® warrants its canopy roofs and/or tarps, and Timber GLOVE lumber wrap to be free from defects in workmanship and materials, under normal use and conditions, for a period of one year.

Swing-N-Slide® will repair, or at its discretion, replace any part within the stated warranty period which is defective in workmanship or materials. This decision is subject to verification of the defect upon delivery of the defective part to Swing-N-Slide® at 1212 Barberry Drive, Janesville, Wisconsin, 53545. Any part(s) returned to Swing-N-Slide® must have prior approved Return Authorization Number and proof of purchase, including the date of purchase. This warranty is valid only if the product is used for the purpose for which it was designed and installed at a residential, single family dwelling. This warranty is void if the product is put to commercial or institutional use. This warranty does not cover (a) products which have been damaged by acts of Nature, negligence, misuse, or accident, or which have been modified or repaired by unauthorized persons; (b) the cost of labor; or the cost of shipping the product, any part, or any replacement product or part.

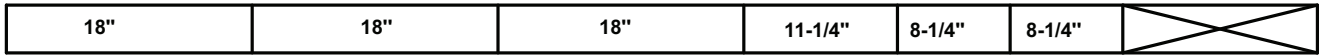
Swing-N-Slide® DISCLAIMS ALL OTHER REPRESENTATIONS AND WARRANTIES OF ANY KIND, EXPRESS, IMPLIED, STATUTORY OR OTHERWISE, INCLUDING THE IMPLIED WARRANTIES OF MERCHANTABILITY AND FITNESS FOR A PARTICULAR PURPOSE. Swing-N-Slide® WILL NOT BE LIABLE FOR ANY INCIDENTAL OR CONSEQUENTIAL DAMAGES. This warranty is non-transferable and does not extend to the owners of the product subsequent to the original purchaser. Some states do not allow limitations on implied warranties or exclusion of incidental or consequential damages, so these restrictions may not be applicable to you. This warranty gives you specific legal rights. You may also have other rights, which vary from state to state.

This warranty also does not apply to:

- Structures not erected, maintained or inspected in conformance with **Swing-N-Slide®** installation plans
- Structures that have had parts added or substituted not in conformance with **Swing-N-Slide®** installation plans
- Parts that have been modified, altered or misused
- Parts that have not been used as designed or intended
- Damage due to acts of Nature, vandalism, abnormal use or abuse as determined by **Swing-N-Slide®**

Sky Tower Turbo Cut List

Lumber Purchased Separately - (4) 2" x 4" x 8'



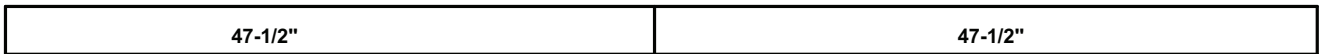
(1) 2" x 4" x 96"



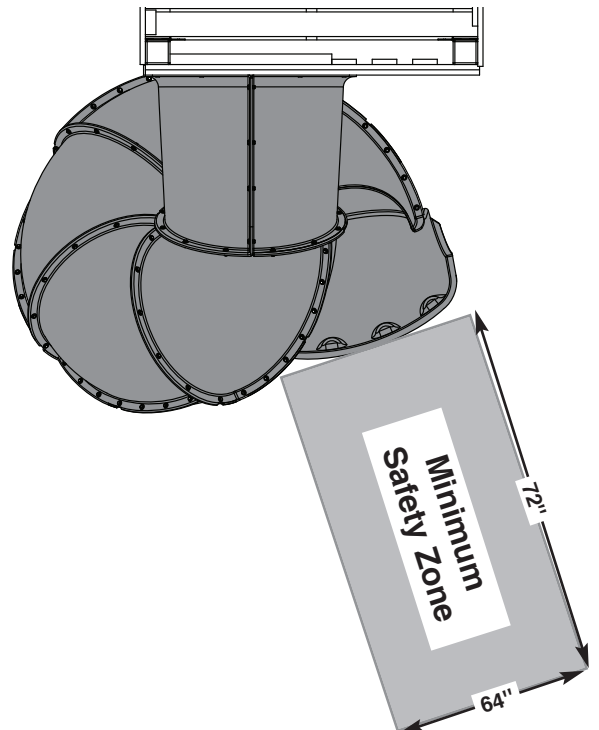
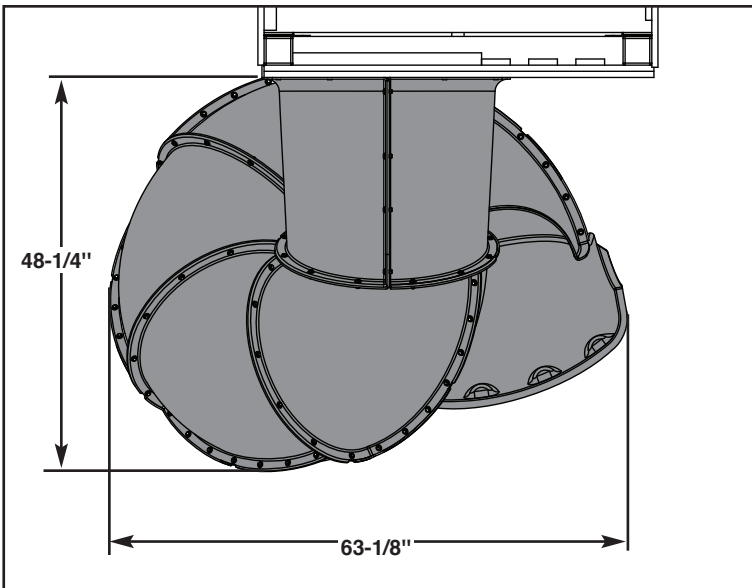
(1) 2" x 4" x 96"



(1) 2" x 4" x 96"

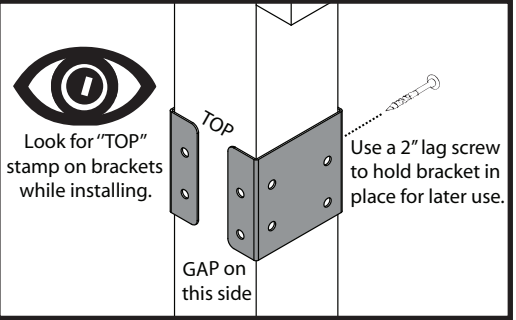
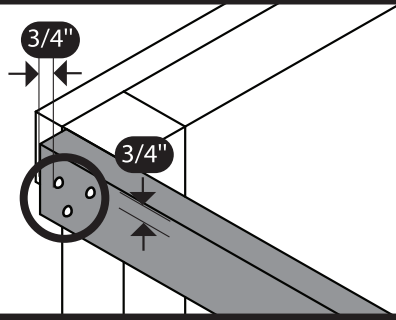


(1) 2" x 4" x 96"



TURBO TUBE SLIDE TOWER INSTRUCTIONS

•WARNING•
 Avoid splitting your
 lumber by offsetting
 your screws at least
 3/4" from edge.

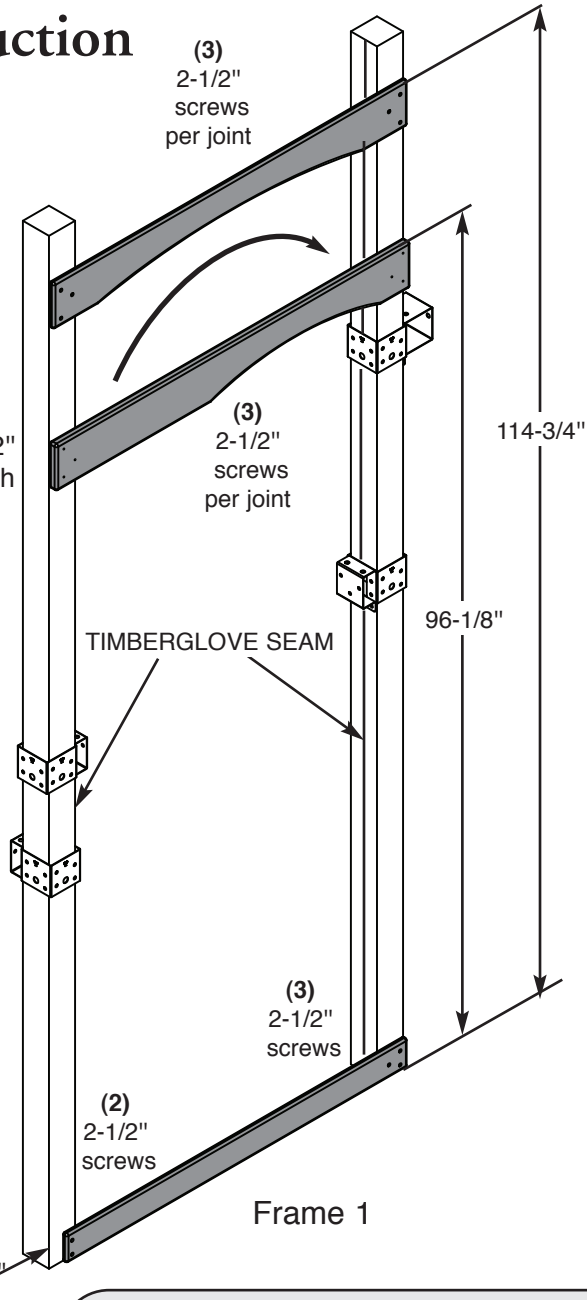
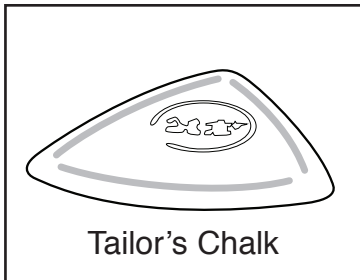


Frame 1 Construction

Fig. 3

[PF 3892] 1" x 6" x 47-1/2"

[PF 3907] 5/4" x 6" x 47-1/2"
 Offset Arch



[PF 3886] 1" x 4" x 45-3/4"

Frame 1

1-3/4"
 GAP



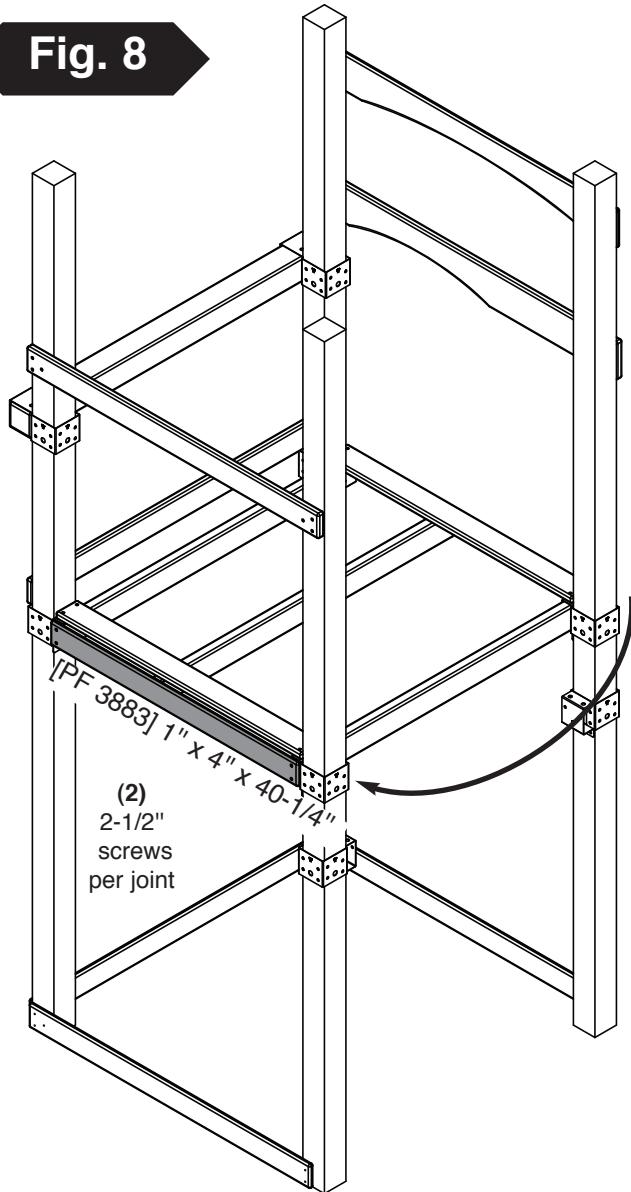
MODIFICATION: Install PF 3907 as shown above.

Frame Construction cont.

1. Assemble Frame 1 as shown in (Fig. 3).

TURBO TUBE SLIDE TOWER INSTRUCTIONS

Fig. 8



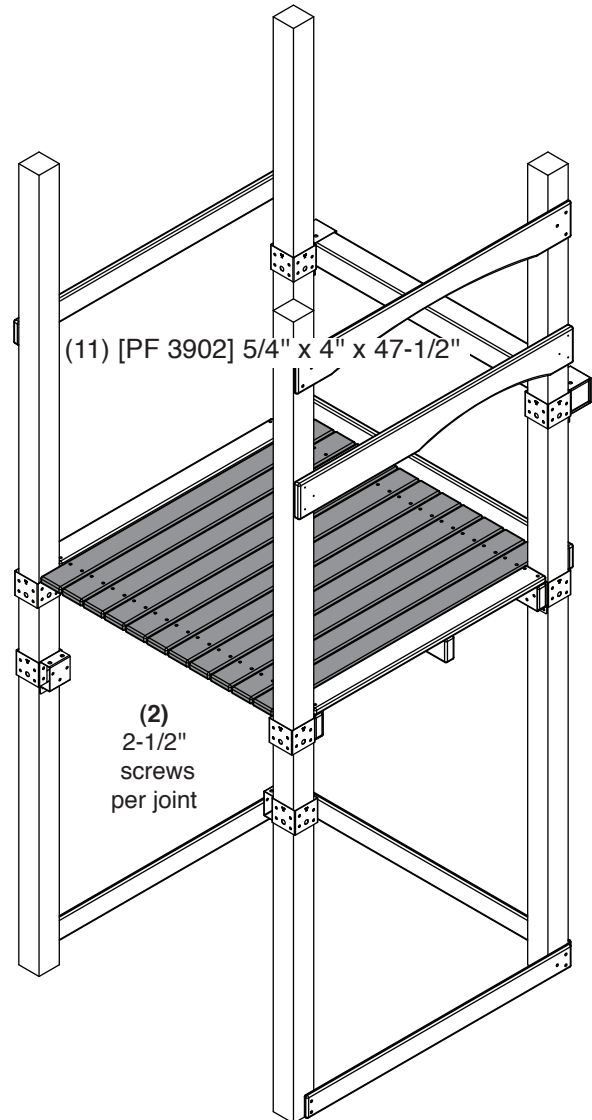
**BACK OF UNIT
(View Rotated 90°)**



2-1/2" screw

NOTE: There must be a 1/8" Nominal Gap between all deck boards.

Fig. 8a



MODIFICATION: Install PF 3883 as shown in (Fig. 8) above.

Install Deck Boards

1. Attach Deck Support Board as shown in (Fig. 8).
2. Attach Deck Boards as shown in (Fig. 8a).

Note: Screws at center will attach to center support.

TURBO TUBE SLIDE TOWER INSTRUCTIONS

Fig. 9

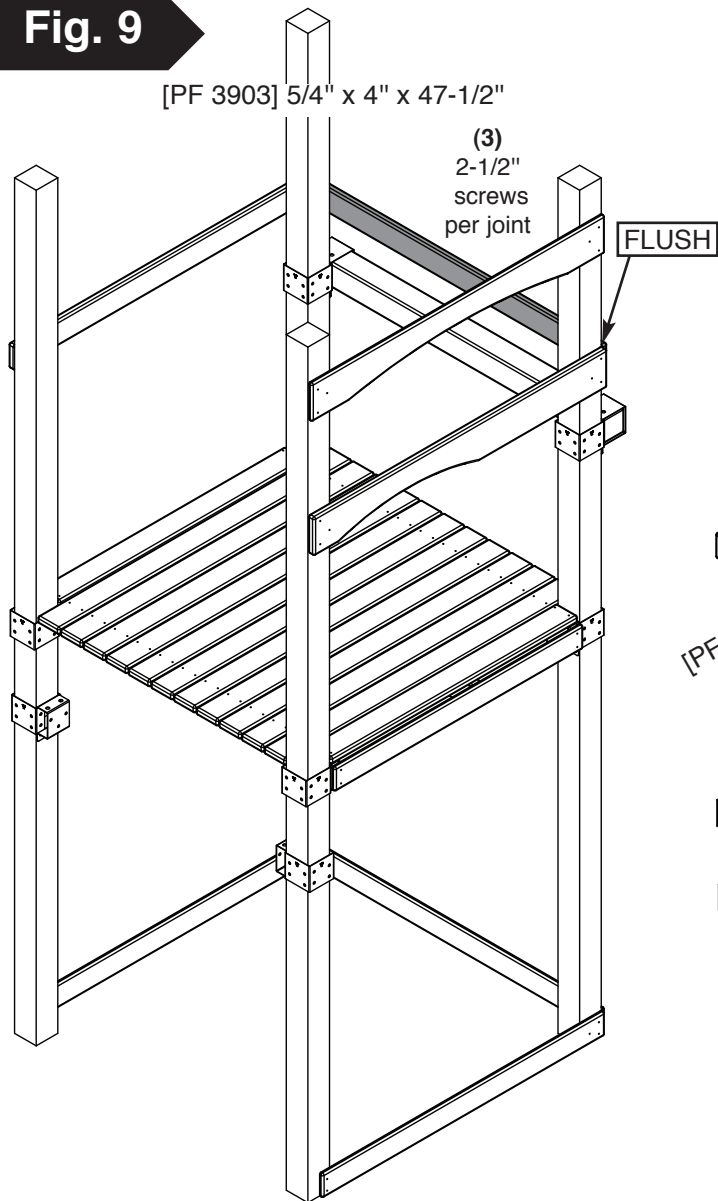
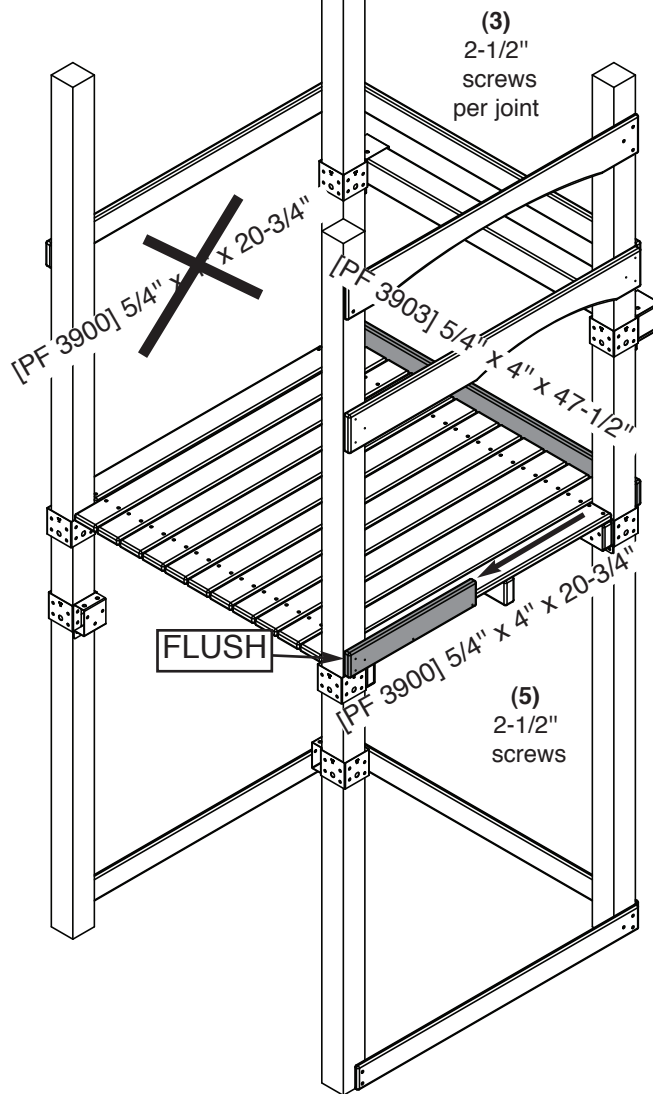


Fig. 9a



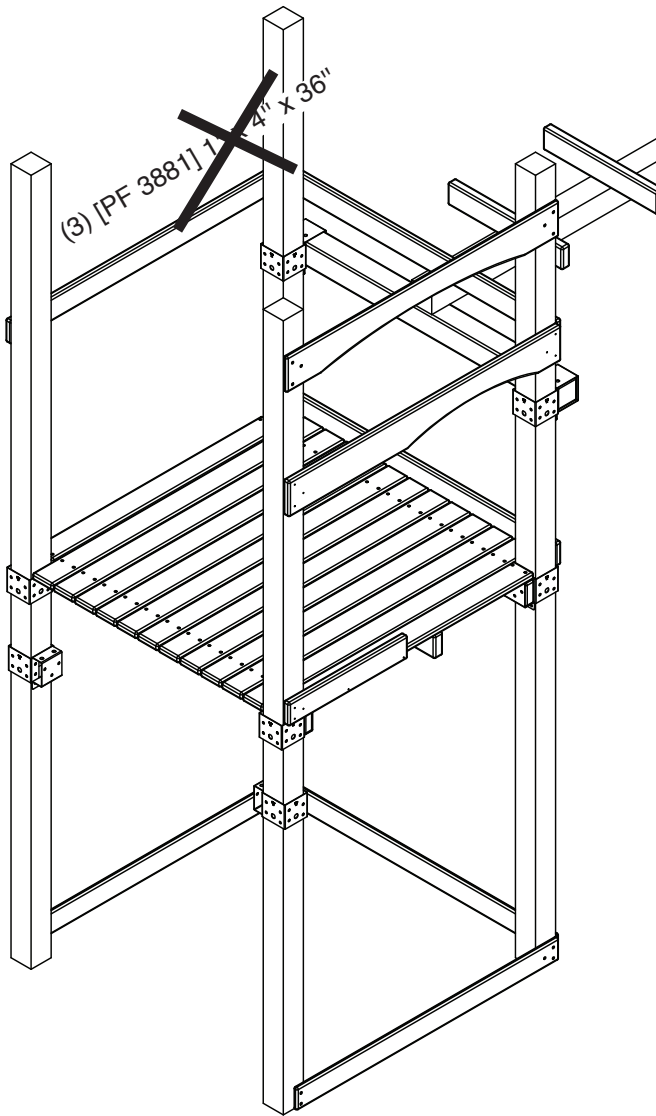
MODIFICATION: Install front PF 3900 as shown in (Fig. 9a). DO NOT install the PF 3900 on the back of the deck, as shown in (Fig. 9a).

Install Barrier Support Boards

1. Install Barrier Support Boards as shown in (Fig. 9) and (Fig. 9a).

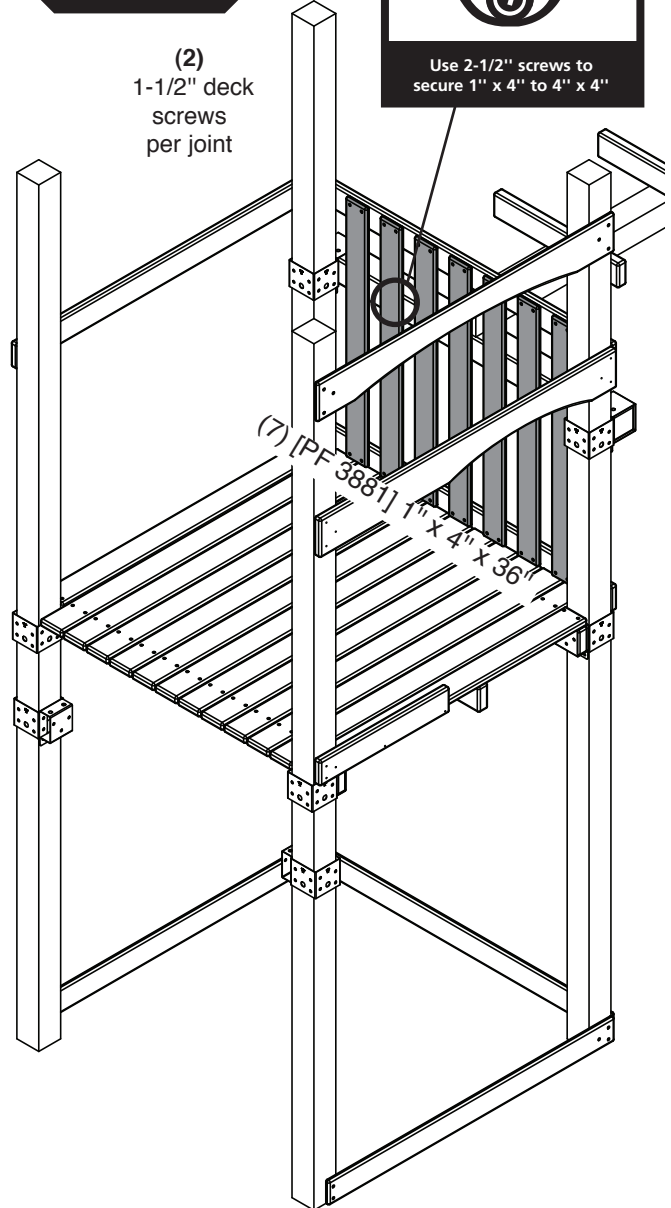
TURBO TUBE SLIDE TOWER INSTRUCTIONS

Fig. 17



NOTE: There must be a 2" Nominal Gap between barrier boards.

Fig. 17a



(2)
1-1/2" deck
screws
per joint

Use 2-1/2" screws to
secure 1" x 4" to 4" x 4"

MODIFICATION: DO NOT install the PF 3881 Barrier on the back of the deck, as shown in (Fig. 17). This barrier will be installed later.

Barrier Boards

1. Install Barrier Boards as shown in (Fig. 17) and (Fig. 17a).



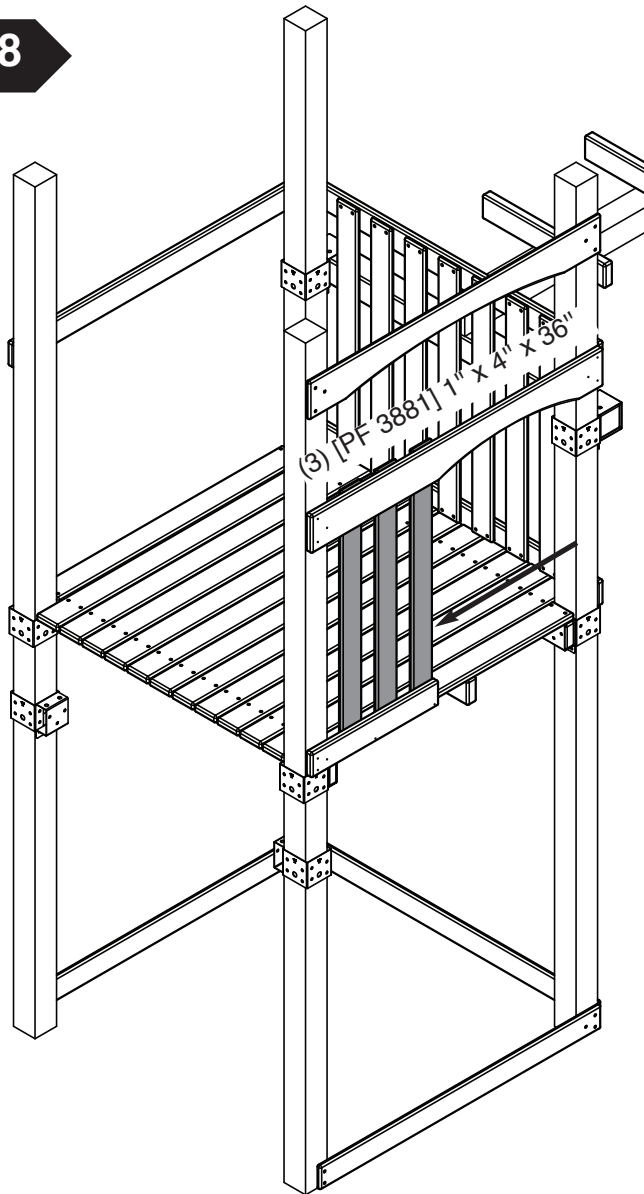
1-1/2" screw



2-1/2" screw

TURBO TUBE SLIDE TOWER INSTRUCTIONS

Fig. 18



(2)
1-1/2" screws
per joint

NOTE: There must be a 2-3/8"
Nominal Gap between all
barrier boards.



1-1/2" screw

MODIFICATION: Install barrier as shown in
(Fig. 18).

Barrier Boards cont.

1. Install Barrier Boards as shown in (Fig. 18).

TURBO TUBE SLIDE TOWER INSTRUCTIONS

Fig. 20

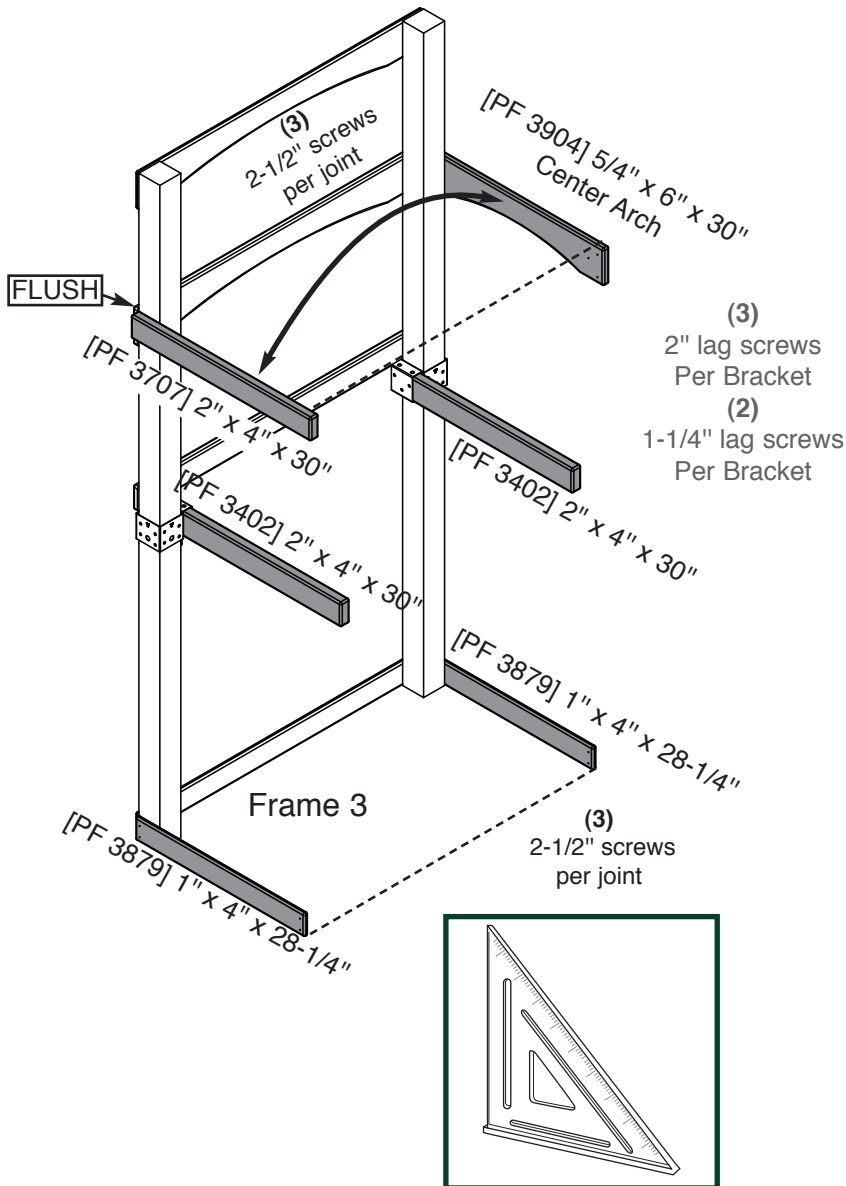


Fig.20a

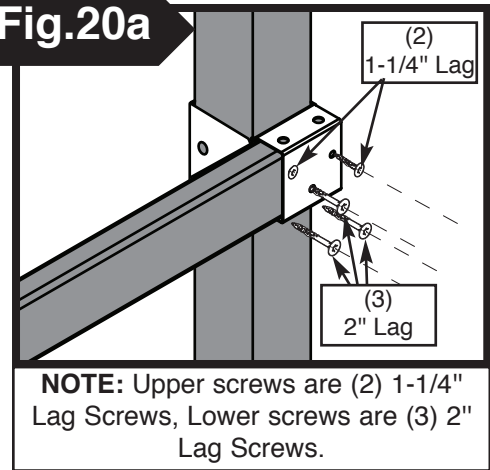
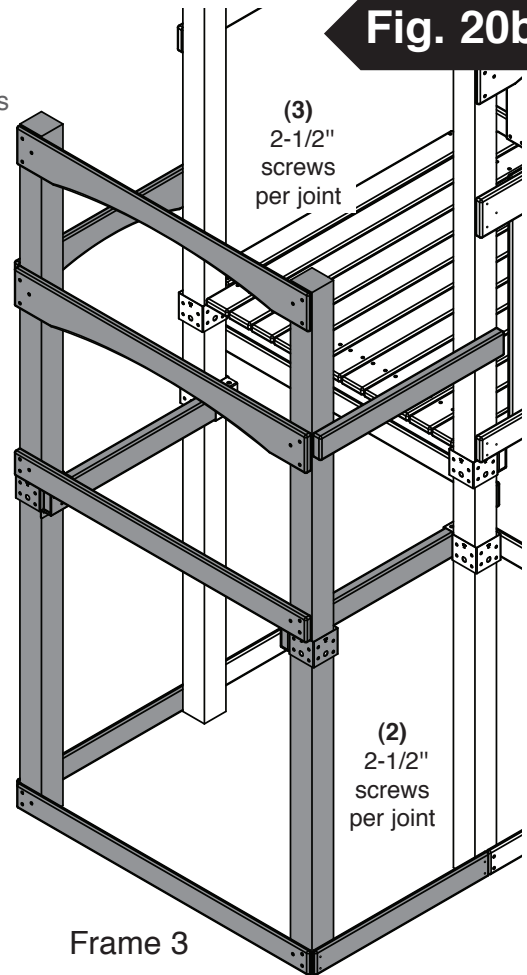


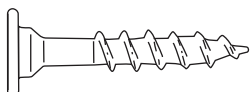
Fig. 20b



2-1/2" screw



2" Lag screw



1-1/4" Lag Screw

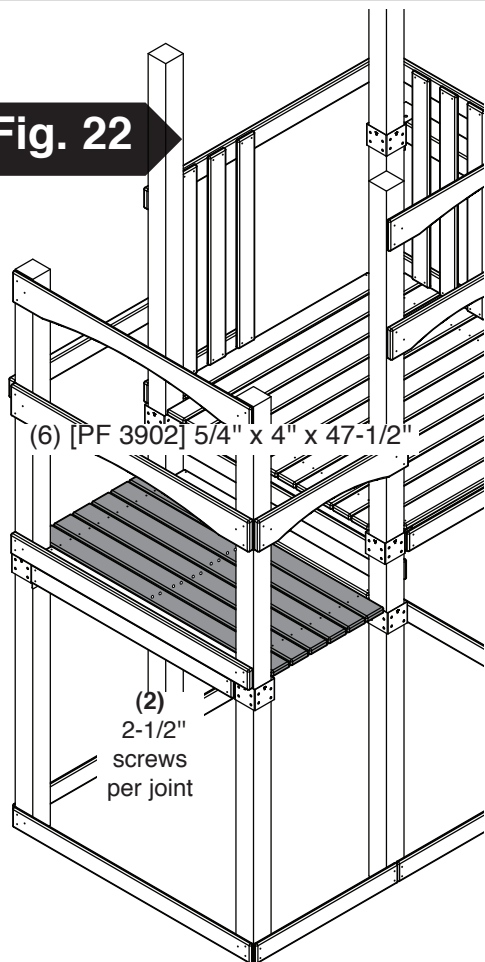
MODIFICATION: Switch PF 3904 and PF 3707 as shown in (Fig. 20).

Frame 3 Attachment

1. Attach Frame Support Boards as shown in (Fig. 20) and (Fig. 20a).
2. Attach Frame 3 to unit as shown in (Fig. 20a) and (Fig. 20b).

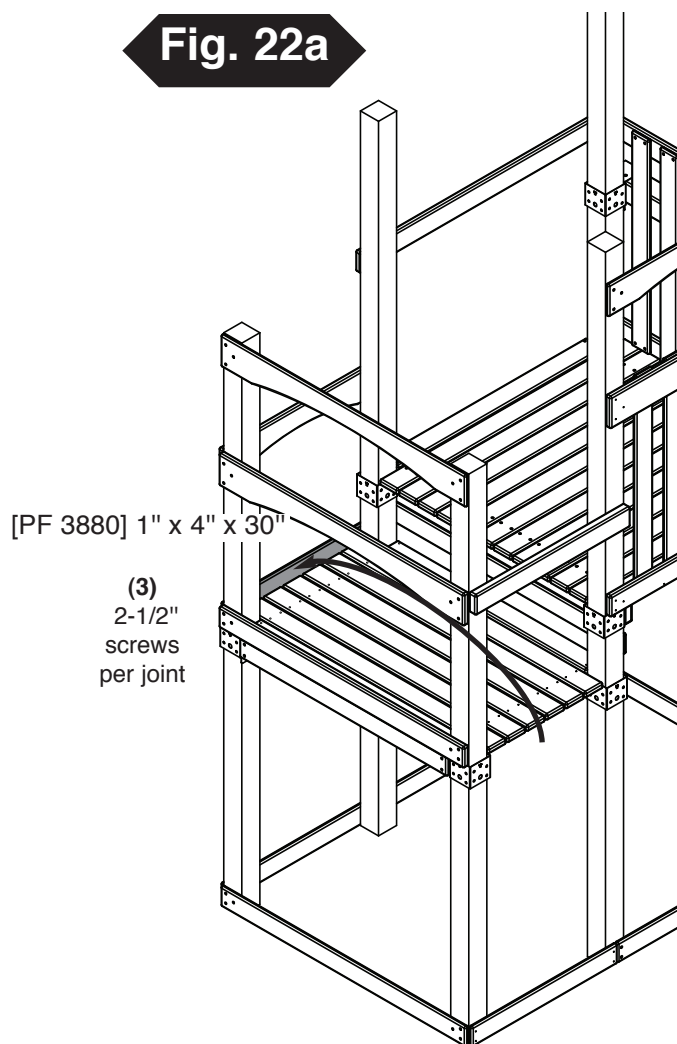
TURBO TUBE SLIDE TOWER INSTRUCTIONS

Fig. 22



NOTE: There must be a 1/4" Nominal Gap between all deck boards.

Fig. 22a



2-1/2" screw

MODIFICATION: Move PF 3880 to back of unit, as shown in (Fig. 22a).

Lower Deck cont.

- 1.** Install Lower Deck Boards as shown in (Fig. 22).
Note: Screws at center will attach to center support.
- 2.** Install Barrier Support Board as shown in (Fig. 22a).

TURBO TUBE SLIDE TOWER INSTRUCTIONS

NOTE: There must be a 1" Nominal Gap between barrier boards.

Fig. 23a

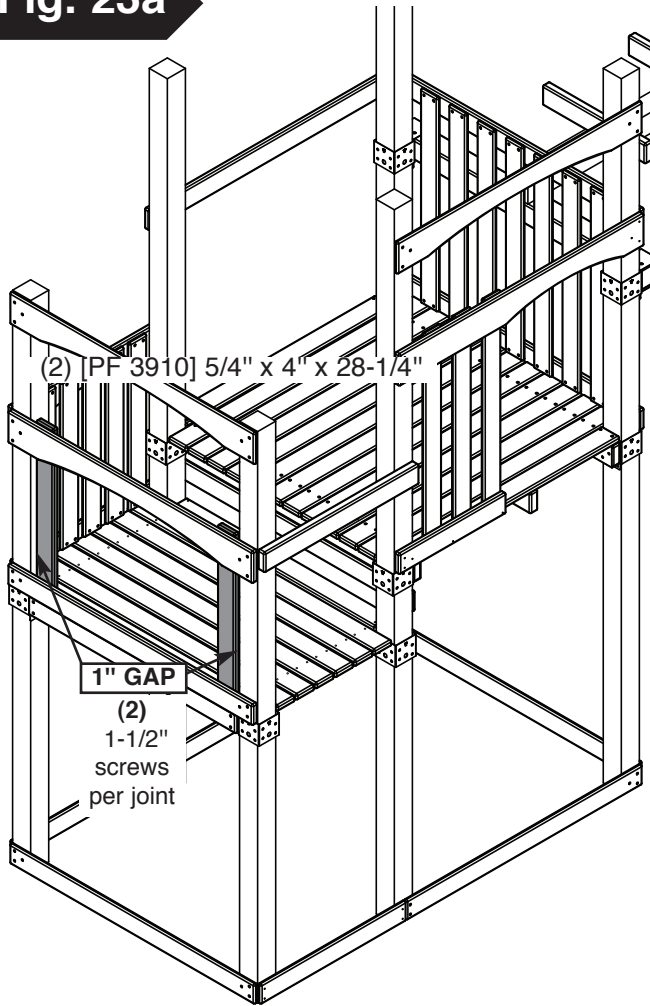
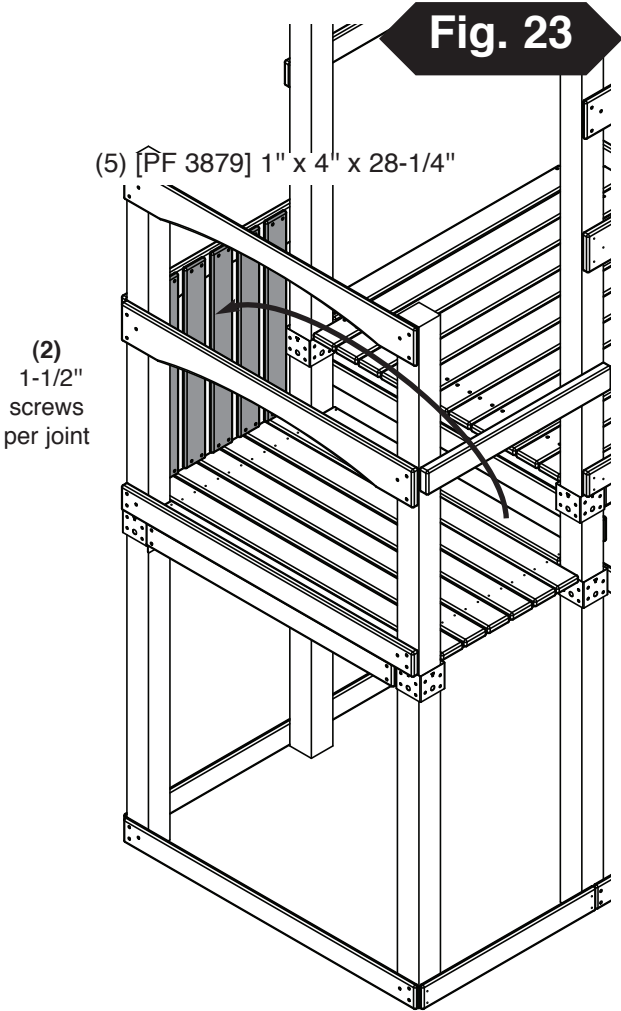


Fig. 23



MODIFICATION: Move barrier to back of unit, as shown in (Fig. 23).

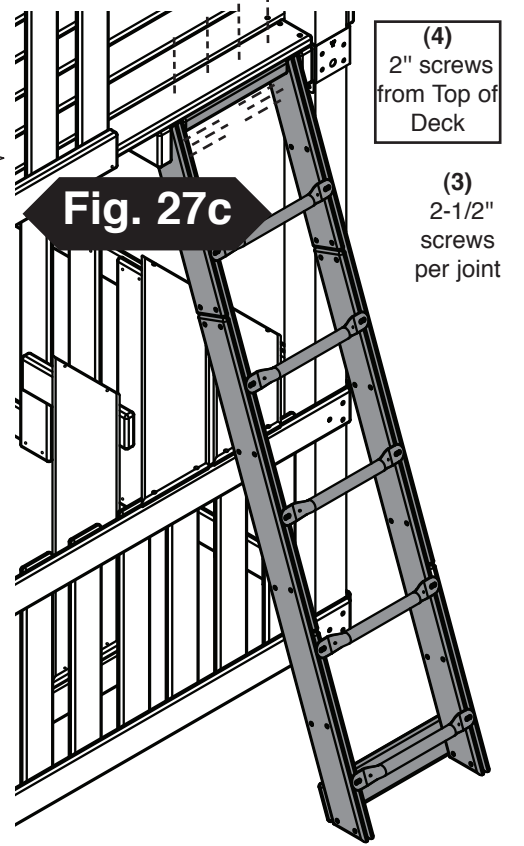
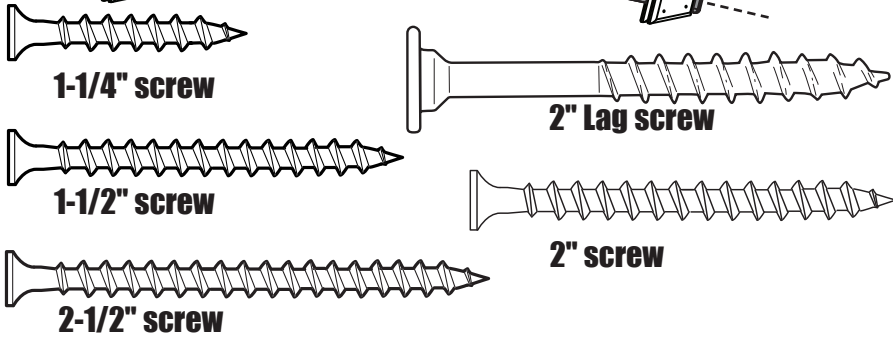
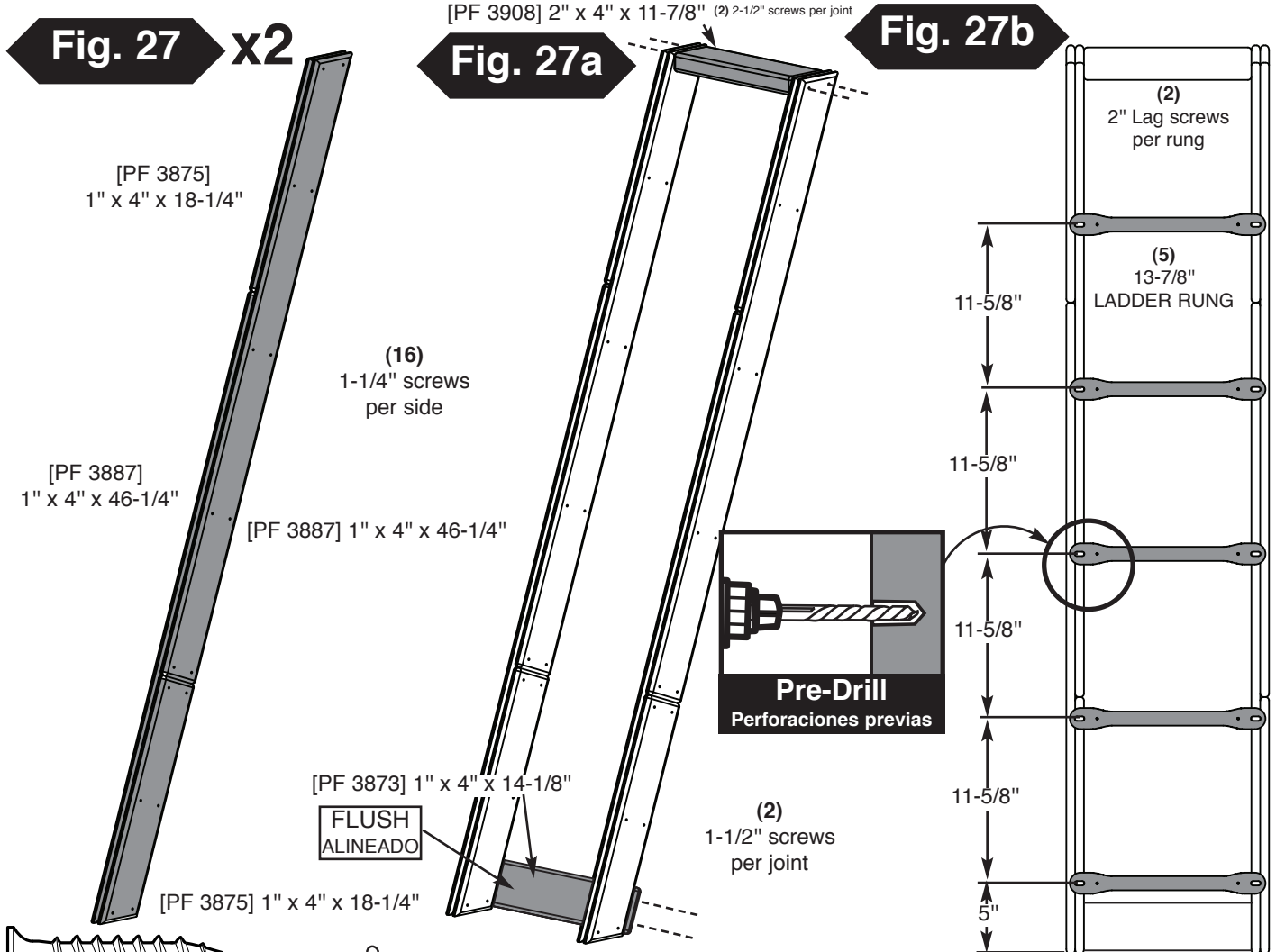
Lower Deck cont.

1. Install Barrier Boards as shown in (Fig. 23) and (Fig. 23a).



1-1/2" screw

TURBO TUBE SLIDE TOWER INSTRUCTIONS



MODIFICATION: Mount ladder to front of unit as shown in (Fig. 27c).

Ladder Assembly

1. Laminate Ladder Uprights as shown in (Fig. 27).
2. Install Ladder Support Boards as shown in (Fig. 27a).
3. Attach Ladder Rungs as shown in (Fig. 27b).
Pre-Drill Note: To prevent wood from splitting, pre-drill all holes for the Ladder Rungs. Use a 1/8" drill bit & drill to a maximum depth of the length of the Lag Screw used.
4. Attach ladder to tower as shown in (Fig. 27c).

TURBO TUBE SLIDE TOWER INSTRUCTIONS

Fig. 32

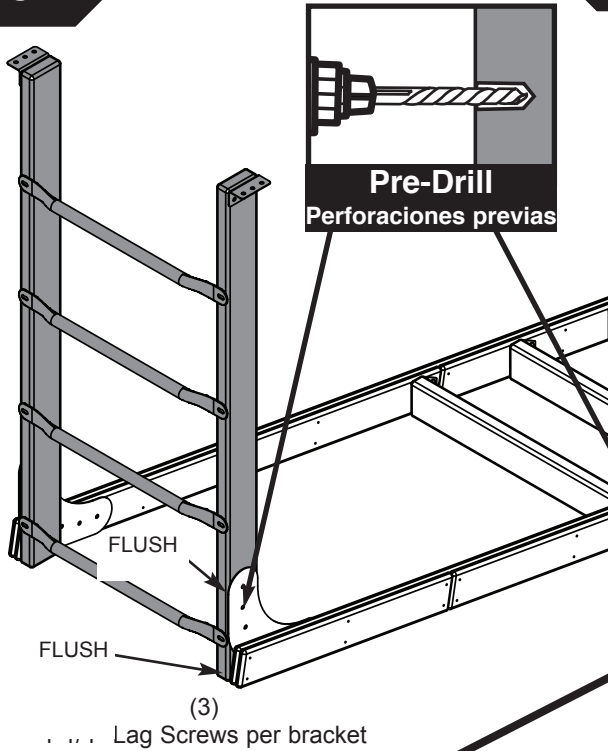


Fig. 32a

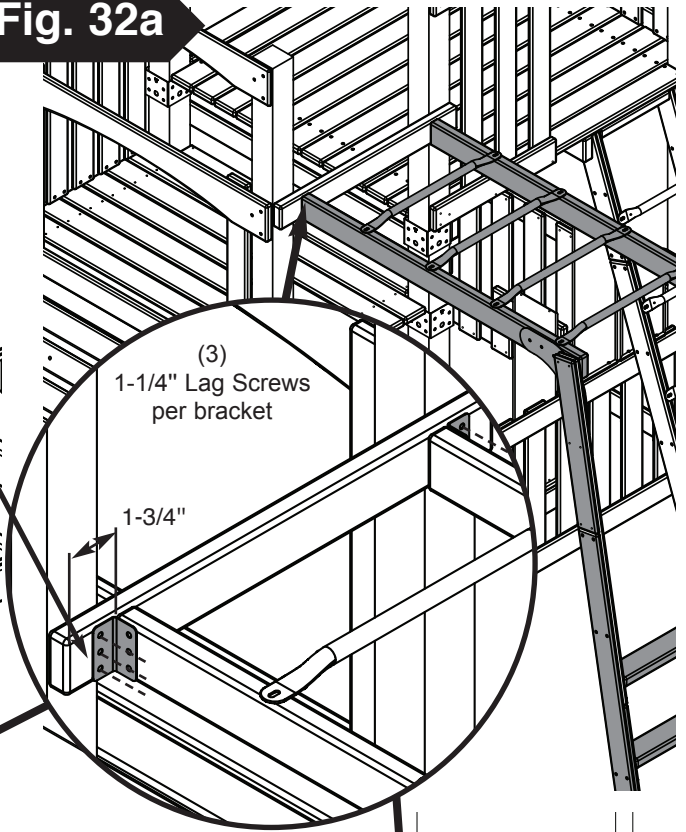
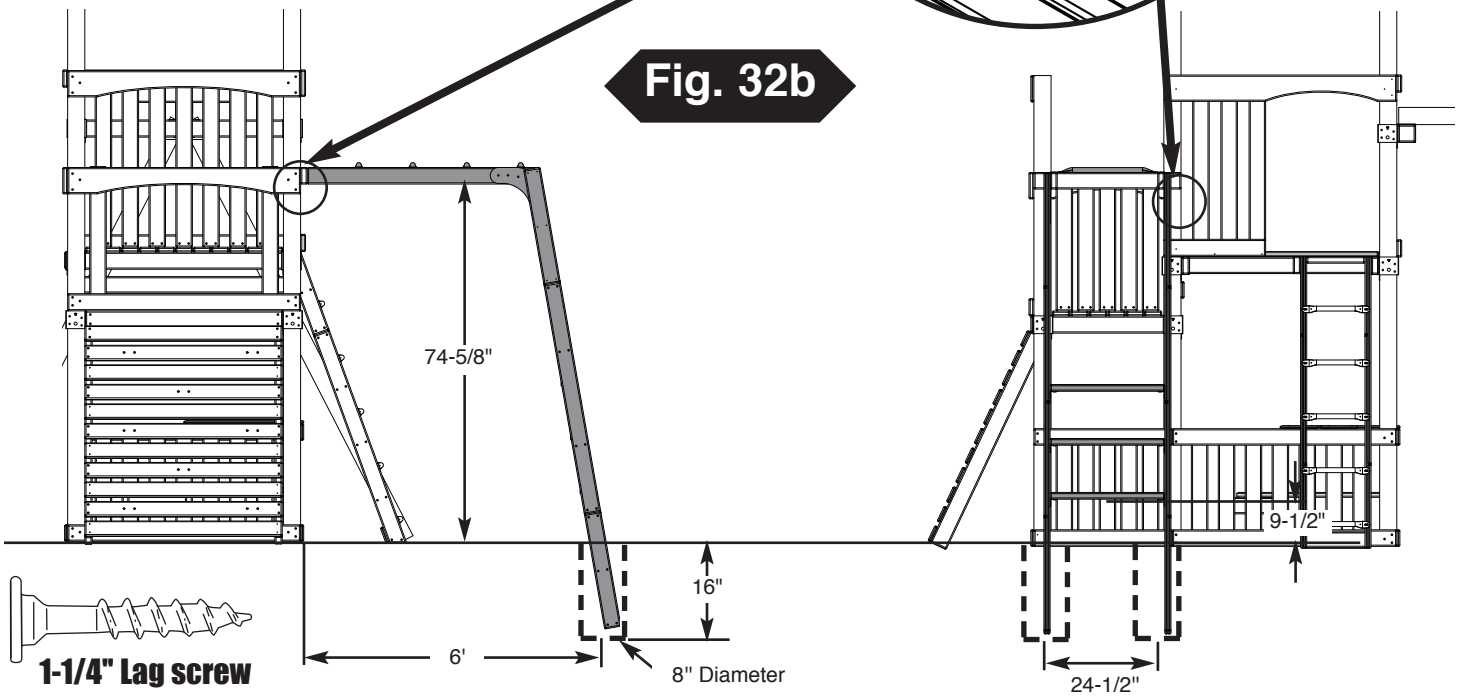


Fig. 32b



MODIFICATION: Install Monkey Bars on front of unit, as shown in (Fig. 32a) and (Fig. 32b).

Monkey Bar Assembly Cont.

1. Attach the Monkey Bar Frame to the Monkey Bar Ladder as shown in (Fig. 32).
2. Dig (2) 8" diameter holes, 16" deep, at the locations shown in (Fig. 32b).
3. Attach the Monkey Bar Ladder to the unit as shown in (Fig. 32a) and (Fig. 32b).

Pre-Drill Note: To prevent wood from splitting, pre-drill the (6) holes for the 1-1/4" Lag Screws. Use a 1/8" drill bit & drill to a maximum depth of 1-1/4".

4. Level the assembly, fill in holes and compact earth around posts.

TURBO TUBE SLIDE TOWER INSTRUCTIONS

Fig. 37

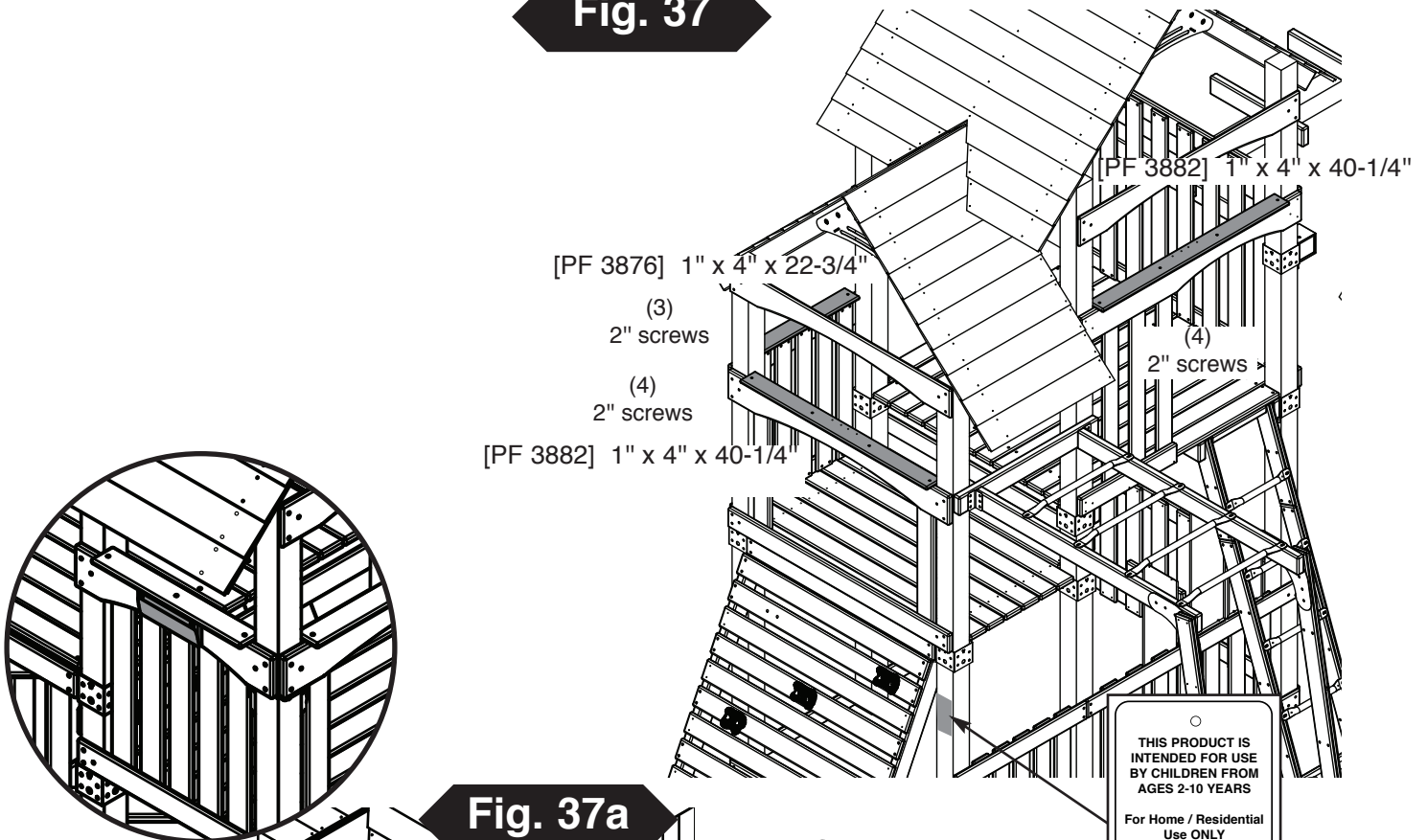
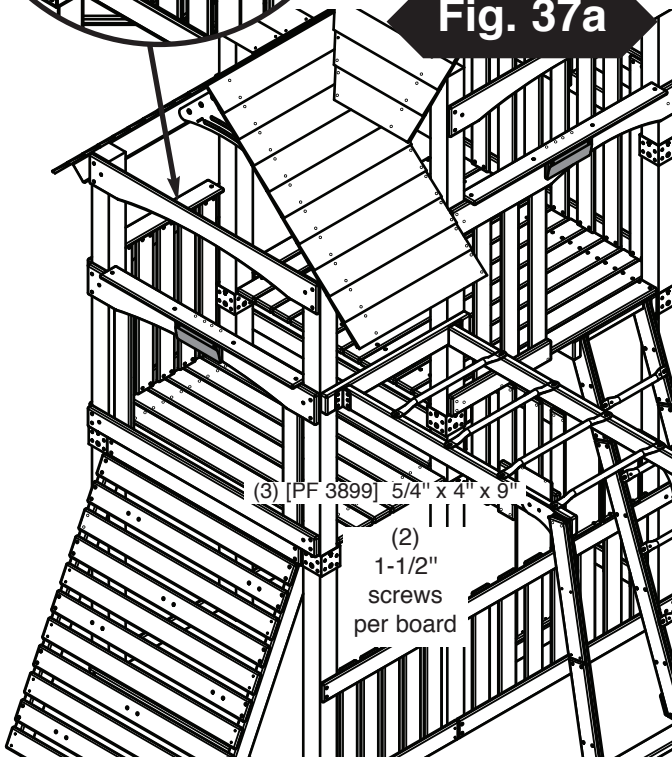


Fig. 37a

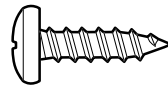


THIS PRODUCT IS
INTENDED FOR USE
BY CHILDREN FROM
AGES 2-10 YEARS

For Home / Residential
Use ONLY

Swing-N-Slide

1212 Barberry Drive
Janesville, WI 53545
1-800-888-1232
www.swing-n-slide.com



1/2" Pan Head screw

MODIFICATION: Attach Decorative Boards as shown in the figures shown.

Decorative Assemblies

1. Install Window Sill Boards as shown in **(Fig. 37)**.
2. Place the Name Tag in a visible area on one of the uprights using (2) 1/2" Pan Head Screws as shown in **(Fig. 37)**.
3. Install Window Chamfer Boards as shown in **(Fig. 37a)**.

1-1/4" screw



1-1/2" screw



2" screw



TURBO TUBE SLIDE TOWER INSTRUCTIONS

Fig. 38

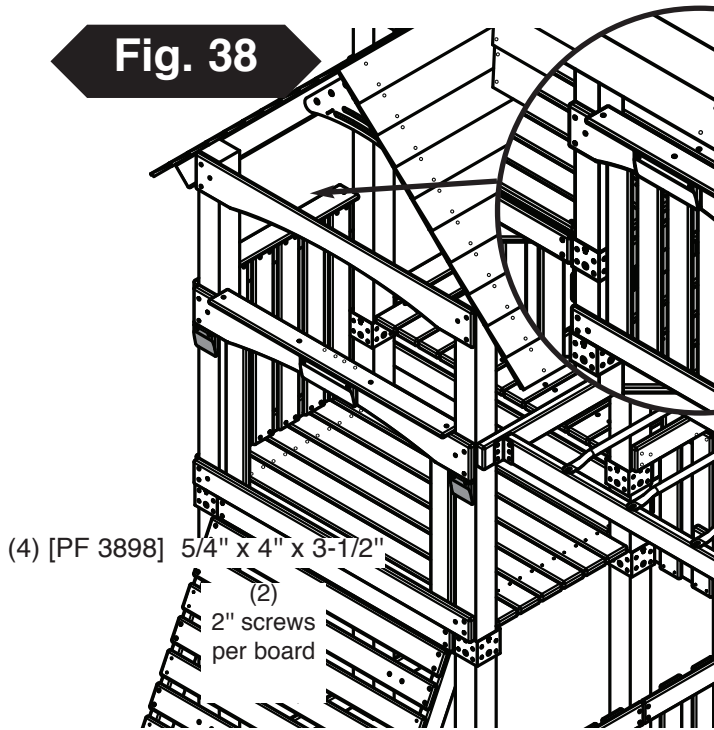


Fig. 38a

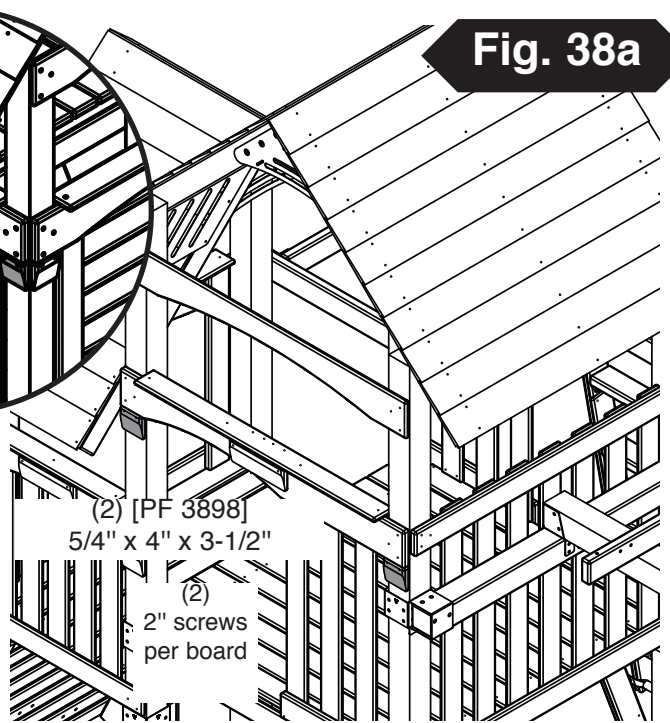


Fig. 38b

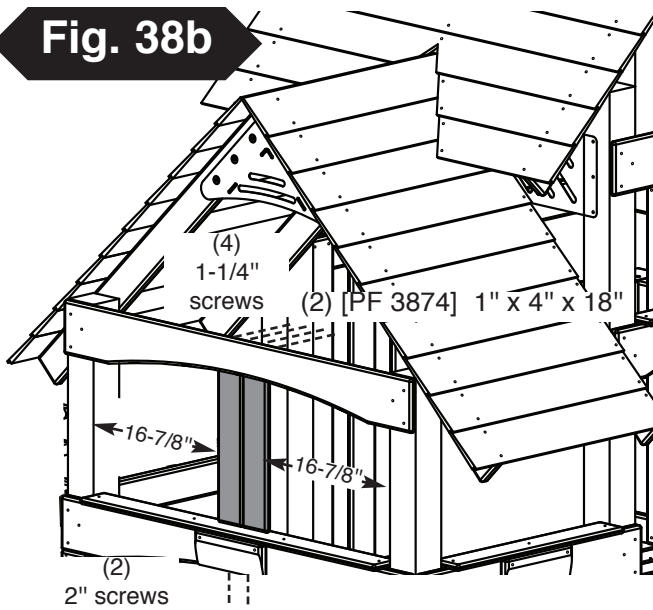
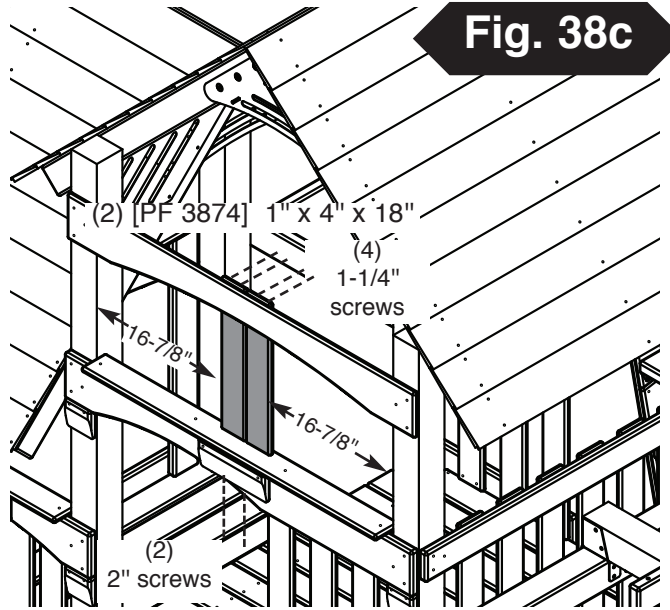


Fig. 38c



2" screw



1-1/4" screw

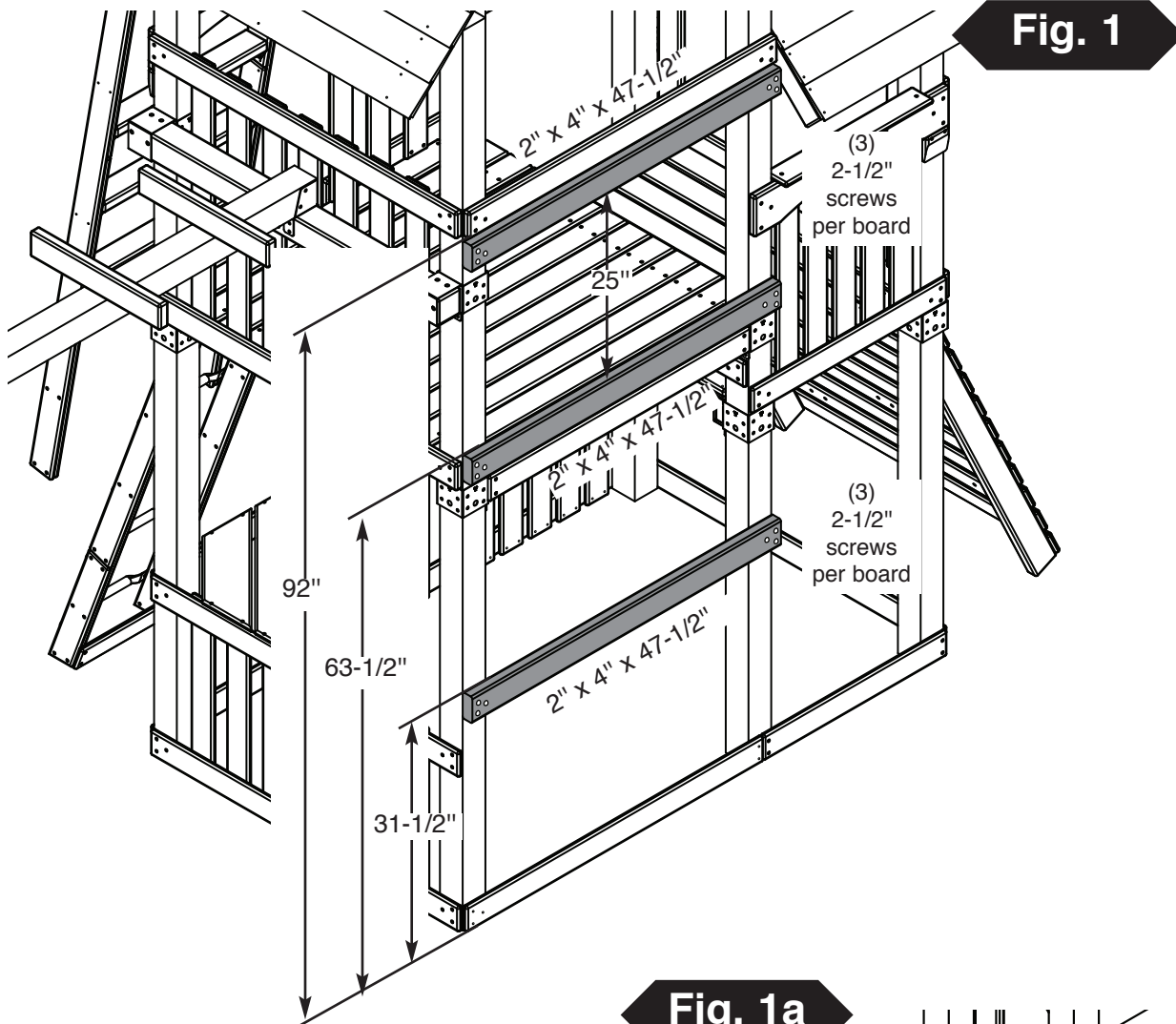


MODIFICATION: Attach Decorative Boards as shown in the figures shown.

Decorative Assemblies Cont.

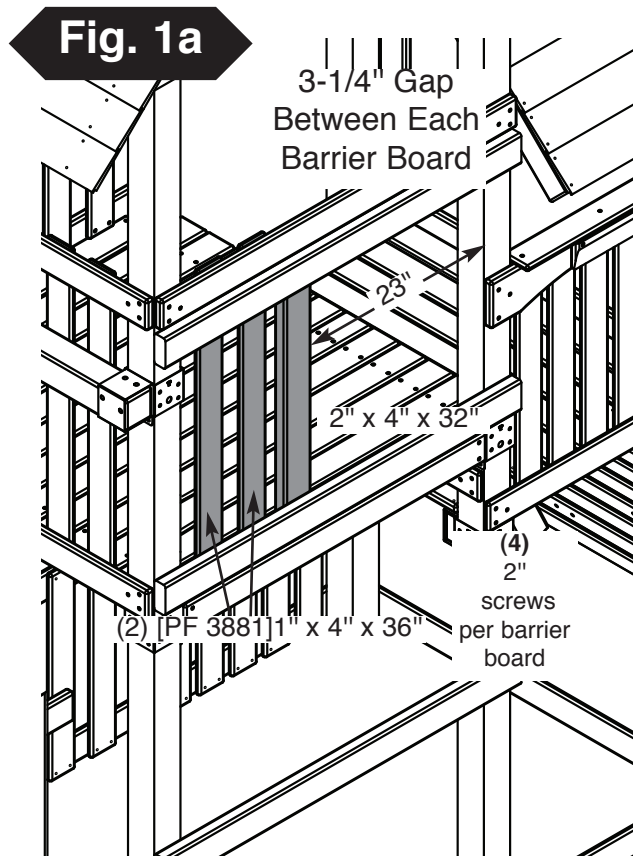
1. Install Chamfer Boards as shown in **(Fig. 38)** and **(Fig. 38a)**.
2. Install Window Separators as shown in **(Fig. 38b)** and **(Fig. 38c)**.

TURBO TUBE SLIDE TOWER INSTRUCTIONS



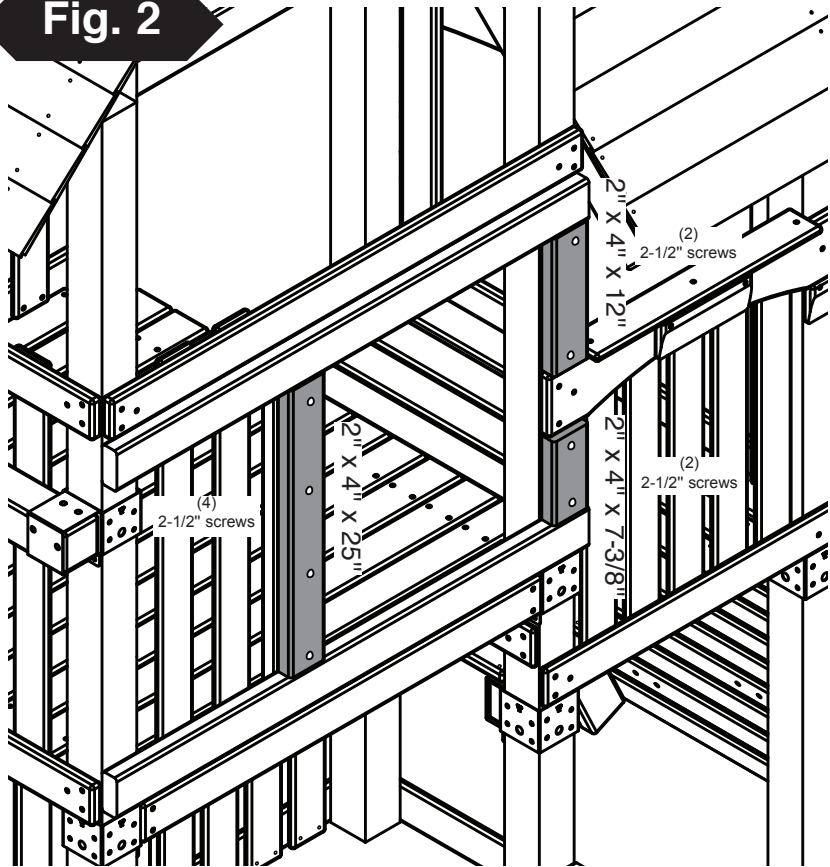
Slide Barrier Construction

1. Install slide and barrier support boards as shown in **(Fig. 1)**, making certain the opening between them is 25".
2. Install barrier as shown in **(Fig. 1a)**. Make certain slide opening is 23".



TURBO TUBE SLIDE TOWER INSTRUCTIONS

Fig. 2



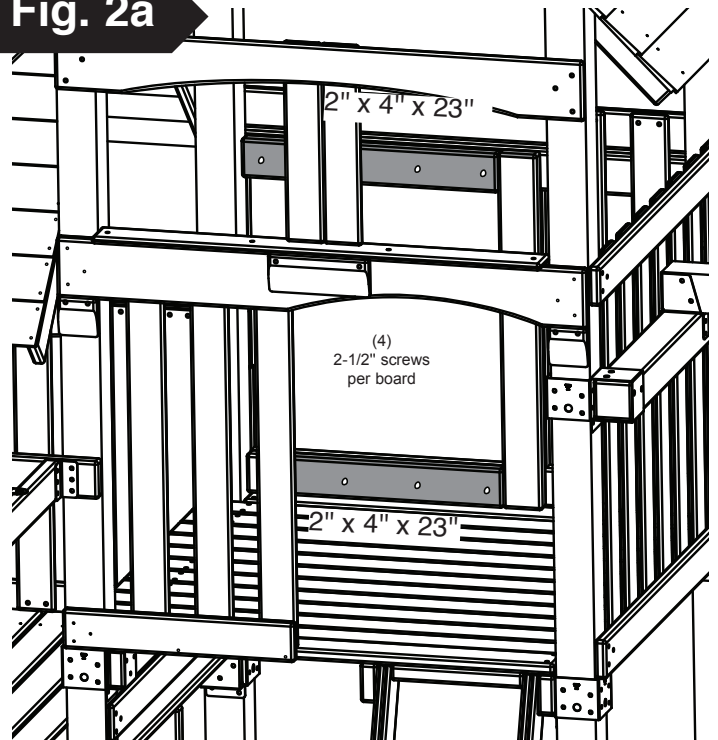
2-1/2" screw

Slide Barrier Cont.

1. Install (3) 2" x 4" Boards as shown in **(Fig. 2)**.
2. Install (2) 2" x 4" x 23" Slide Support Boards on the inside of your barrier as shown in **(Fig. 2a)**.

Turbo Tube Slide: Assemble and attach Turbo Tube Slide and Footer as instructed in the plan included with your slide.

Fig. 2a



**INSIDE VIEW
UNIT WAS ROTATED 180° FOR THIS VIEW**

TURBO TUBE SLIDE TOWER INSTRUCTIONS

REFERENCE THE PLAN PICTURED FOR SLIDE ASSEMBLY

Swing-N-Slide ASSEMBLY INSTRUCTIONS
A PLAYCORE COMPANY

5' Turbo Tube Slide

Note: This accessory is designed to fit a 5' Deck height only.

CAUTION

- Do not climb on the outside of the slide
- This slide is designed for home use only, not for Public Playgrounds
- Product intended for children ages from 2-10 years old.



IMPORTANT!!
PLEASE READ BEFORE BEGINNING ASSEMBLY!!

Please make sure all lumber, hardware and accessory parts are accounted for. If you are missing anything, please **DO NOT RETURN** to the store where purchased. Please call our Customer Service Department at the number below.

To register your product and download unit specific Turbo Tube Slide instructions, visit:

<http://www.swing-n-slide.com>

Other benefits include information on product warranties, assembly plan updates, joining our mailing list for new products and promotions, and providing feedback on products.

Swing-N-Slide • 1212 Barberry Drive • Janesville, Wisconsin 53545
Visit our web site at: www.swing-n-slide.com or call us at

1-800-888-1232

Questions???
Call our Customer Service Department
at 1-800-888-1232



A PLAYCORE Company