

USE AND CARE GUIDE

PUMP AND BARREL FOUNTAIN



Table of Contents

Table of Contents	2
Safety Information.....	2
Warranty	3
Pre-Operation	3
Planning for Successful Installation	3
Package Contents	3

Assembly	4
Operation	5
Maintenance	6
Care & Cleaning	6
Troubleshooting.....	7
Specifications.....	7

Safety Information

1. The National Electric Code requires that a ground fault circuit interrupter (GFCI) be used in the branch circuit supplying the fountain pump and other pond equipment. See your electrical supplies dealer for this device.
2. Do not use an extension cord with this pump.
3. Run this fountain from a main electricity supply only, such as a normal home outlet, and ensure all plug prongs connect securely into the outlet.
4. The electrical power supply has to correspond to indications on the type label.
5. Do not pull on, carry, or pick up the pump by the electrical cord.



WARNING: Do not use the pump in flammable liquids or in sewage where flammable gases are likely to occur.



WARNING: Do not use the pump in a location where special conduits prevail, such as the presence of a corrosive or explosive atmosphere (dust, vapor, gas).



CAUTION: Do not use the pump in water exceeding 95°F (35°C).



CAUTION: This product is not intended for use by persons (including children) with reduced physical sensory or mental capabilities, or lack of experience and knowledge, unless they have supervision or instruction concerning the use of the appliance by a person responsible for their safety.



CAUTION: Do not use the pump in vehicles, on board ships, or in an aircraft.



CAUTION: Make sure that the pump is assembled and fully immersed in water before you plug the fountain into the power source.



CAUTION: The pump must be supplied through a residual current device (RCD) with a rated residual operating current that not exceed 30mA.



CAUTION: Do not use the appliance in a swimming pool.



IMPORTANT: Do not use the pump for industrial purposes.



IMPORTANT: Keep the plug dry. Do not expose the plug to water or steam.



IMPORTANT: The appliance is not intended for use by young children without adult supervision.

Warranty

If this product fails due to a defect in materials or workmanship at any time during the first one year of ownership, the manufacturer will replace it free of charge, postage-paid at their option. This warranty does not cover products which have been abused, altered, damaged, misused, cut or worn. This warranty does not cover use in commercial applications. The manufacturer DISCLAIMS all other implied or express warranties including all warranties of merchantability and/or fitness for a particular purpose. As some states do not allow exclusions or limitations on an implied warranty, the above exclusions and limitations may not apply. This warranty gives you specific legal rights, and you may have other rights that vary from state to state.

This warranty is limited to the replacement of defective parts only. Labor charges and/or damage incurred during installation, repair, replacement as well as incidental and consequential damages connected with the above are excluded. Any damage to this product as a result of neglect, misuse, accident, improper installation or use other than the purpose SHALL VOID THIS WARRANTY.

Pre-Operation

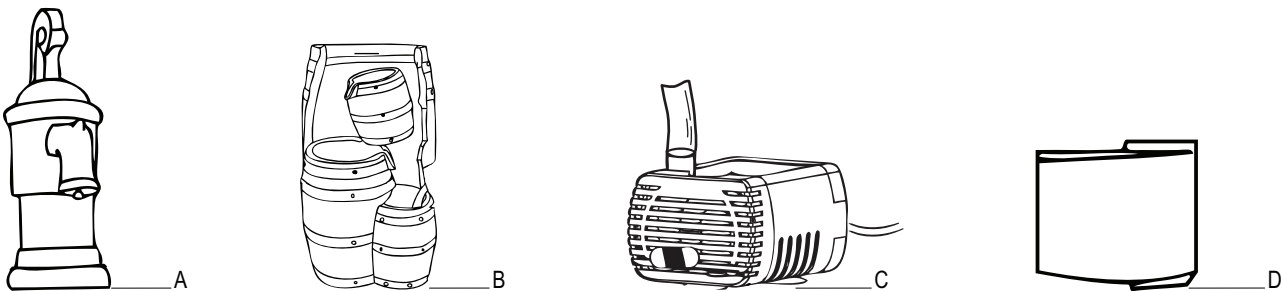
PLANNING FOR SUCCESSFUL INSTALLATION

Place your fountain on a level surface, away from areas where it is likely to get clogged with leaves or other debris and make sure that the electrical cord reaches the power outlet.

This fountain is designed to operate as splash-free as possible. However, some water splashing out of the fountain is inevitable. Place your fountain in a location where any splashing will not cause damage.

Keep the fountain full of water and clean of debris and dirt to ensure proper functioning of the pump.

PACKAGE CONTENTS

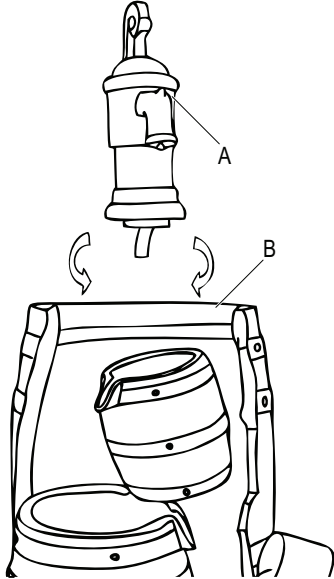


Part	Description
A	Fountain top
B	Fountain base
C	Pump
D	Back cover

Assembly

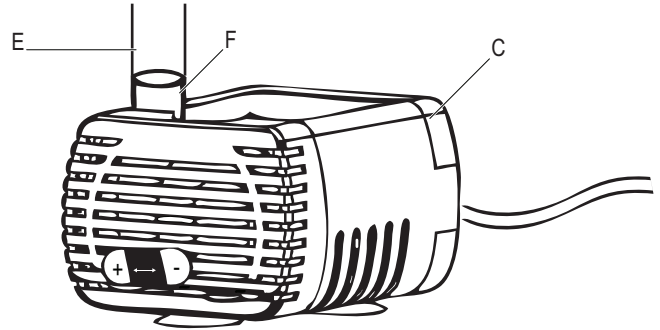
1 Attaching fountain top to base

- Twist the fountain top (A) clockwise into the top of the fountain base (B).



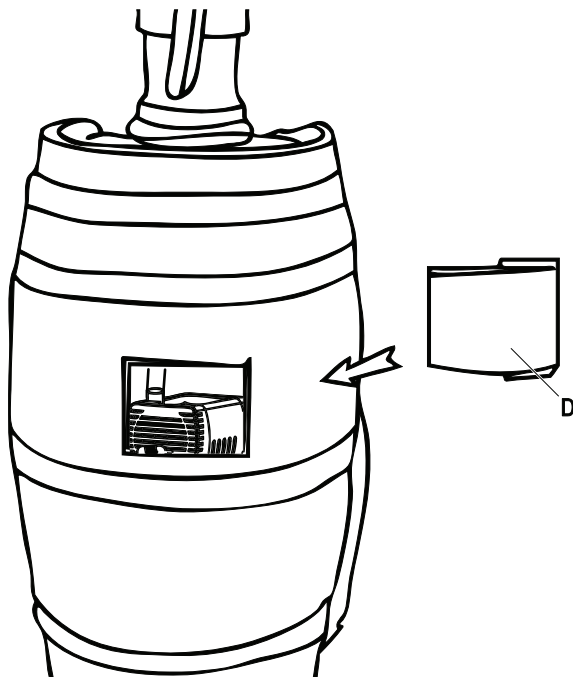
2 Connecting hose to pump outlet

- Connect the flexible hose (E) to the pump outlet (F).
- Make sure the connection is tight.
- Place the pump (C) in the bottom of the reservoir.
- Pull the electrical cord through the cord notch in the fountain.



3 Attaching the back cover

- Assemble the back cover (D) to the fountain back.
- Close the cover.



4 Filling the reservoir

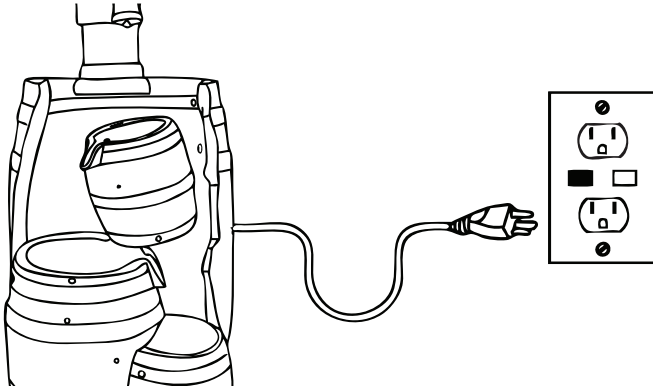
- Use clear and clean water.
- Make sure the water can completely submerge the pump. The reservoir should be 75% full at minimum. The pump will not work if it is not completely submerged at all times.



Operation

1 Turning on the pump

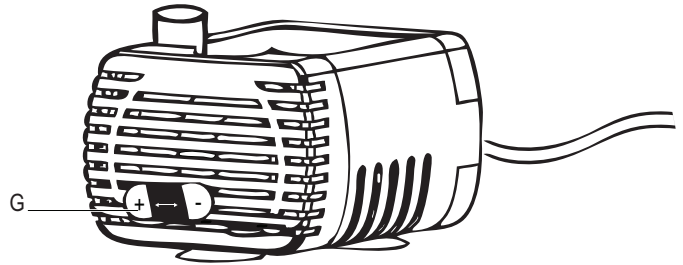
- Plug the electrical cord into a power outlet and switch the pump on.
- After a few moments, the water starts to flow.



NOTE: You must use a GFCI outlet.

2 Adjusting the pump flow rate

- Move the flow control slider (G) towards the + to increase the flow rate and move the slider towards the - to decrease the flow rate.



NOTE: Splashing can occur if the flow rate is too high or the reservoir is too full.

Maintenance

- Disconnect the power before you service or clean the fountain.
- Regularly check that the water reservoir has enough water to cover the pump at all times. Check the water level more frequently in warm or windy weather.
- Do not allow the pump to freeze. During cold spells, remove the pump from the fountain and place it in a water-filled container in a frost-free location. DO NOT store the pump dry.



CAUTION: The pump must always be fully submerged in water and never be permitted to run dry, as this will cause irreversible damage.

Care & Cleaning

- Disconnect the power before you service or clean the fountain.
- At minimum, rinse the pump out with lukewarm water when the pump's power starts to drop.
- Periodically change the water and clean the outside of the fountain and the reservoir. The frequency of this will depend on the weather and location of the fountain. Due to water evaporation, you may see a buildup of white residue on the fountain surface from mineral content in the water supply. Use a soft cloth and clean water to clean the outside of the fountain. Use a soft brush to clean the reservoir.
- Clean the pump rotor approximately once a month. A good indication that the rotor needs to be cleaned is if the water flow rate drops. To clean the rotor and associated parts:

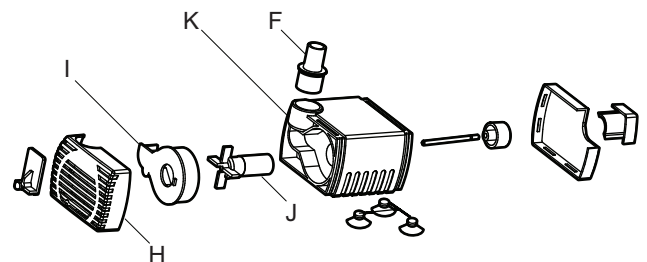


NOTE: You can use a mild detergent but note that this causes the water to foam and should be avoided unless strictly necessary.



NOTE: Do not use any abrasives, which can damage the applied finish.

1. Switch off and unplug the pump.
2. Remove the pump from the water reservoir and disconnect the flexible hose from the pump outlet (F).
3. Remove the filtering cover (H) and pressure-casing (I) from the front of the pump body.
4. Clean the rotor (J) and housing (K) in clean water using cotton balls.
5. Reassemble the pump, reconnect the flexible hose to the pump outlet (F), and place the pump back into the reservoir.



Troubleshooting



CAUTION: Running the pump without enough water can damage the pump.



CAUTION: Excessive weight or pressure on any of the fountain sections may cause it to fall. Keep pets, children, or anyone from sitting, leaning, or climbing on any of the fountain components.

Problem	Cause	Corrective Action
The pump will not run	Faulty circuit breaker	Check the circuit breaker.
	Faulty outlet	Try another GFCI outlet.
	Not enough water in the fountain	Check the water level in the fountain.
	Flow control is low	Check the setting on the pump's flow control.
	Pump is clogged	Check the pump discharge and intake for dirt and debris.
	Fountain is clogged	Check the fountain tubing for kinks and obstructions.
	Pump is air locked	Plug and unplug the pump several times.

Specifications

MZZ20250DA PUMP

Model No.	MZ20250DA
Operating Voltage	120 V
Frequency	60 HZ
Current	0.04A
Power consumption (Watts)	2.5 W
Delivery head	2.3 ft. (0.7 m)
Delivery	250L/h
	66G/h
Maximum submersion	3.0 ft. (0.9 m)

Retain this manual for future use.