

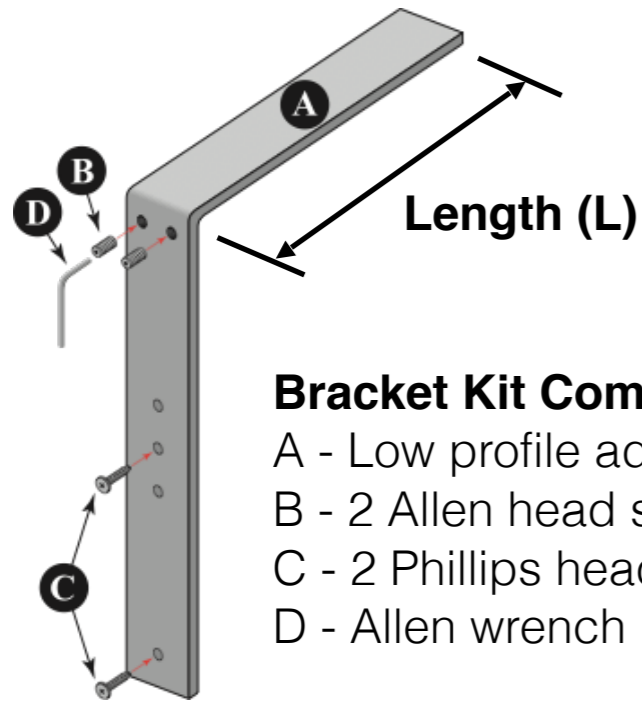


# INSTALLATION MANUAL

## Low Profile Adjustable Bracket Key Features

- **Virtually invisible** - Mounts to inside of wall, no interference with knees or chairs
- **Easy to install** - Patented adjustment feature simplifies installation, no shims needed
- **Several mounting options** - Can be mounted directly to cabinet or new wall. Bracket can replace corbels for single level and two level countertop

# Low Profile Adjustable Bracket Installation Kit and Requirements



## Bracket Kit Comes:

- A - Low profile adjustable bracket
- B - 2 Allen head set screws
- C - 2 Phillips head wood screws
- D - Allen wrench

## Bracket Installation Requirements:

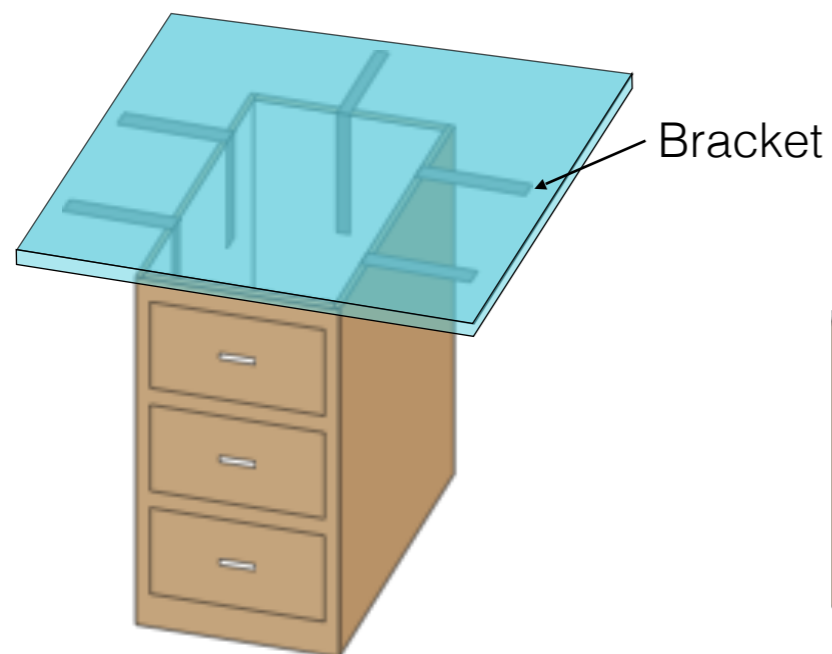
- Wall thickness between 3/4" - 4" (add material if < 3/4")
- Must be placed directly under any seams in countertop
- Used for overhangs between 8" and 18"

## Tools Needed:

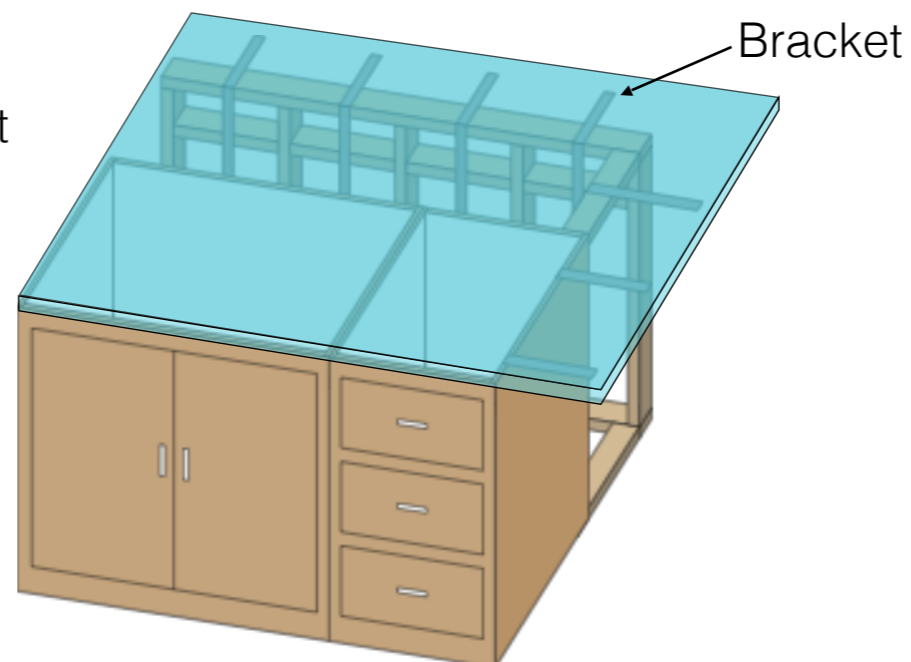
- Phillips screw driver
- 1/8" drill, caulk
- Router
- Wood chisel

## Bracket Mounting Options

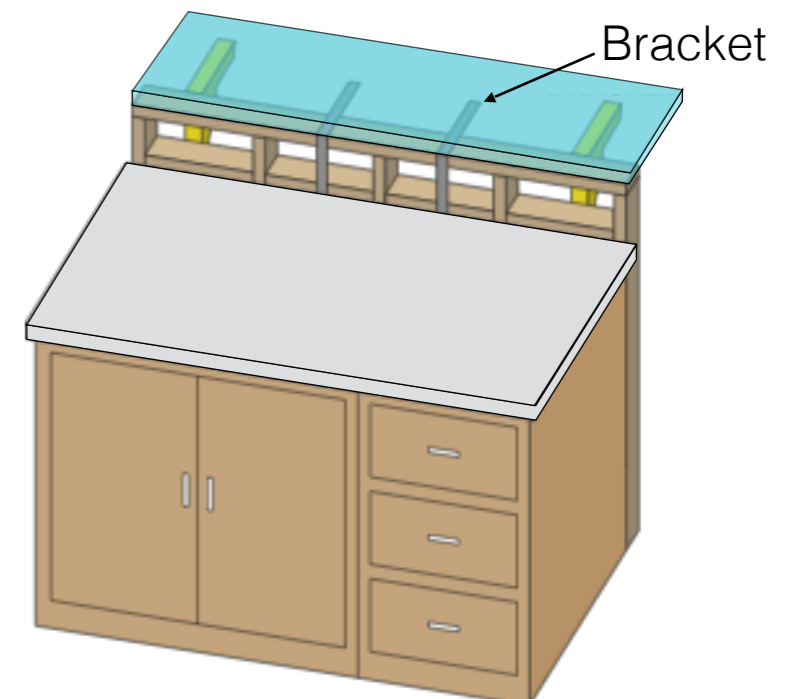
**Option 1: Mount to Cabinet**  
(Wall Thickness usually 3/4" to 2")



**Option 2: Single Level, Wall Mount**  
(Wall thickness usually 4")



**Option 3: Two Level, Wall Mount**  
(Wall usually 4", requires locking wedge)



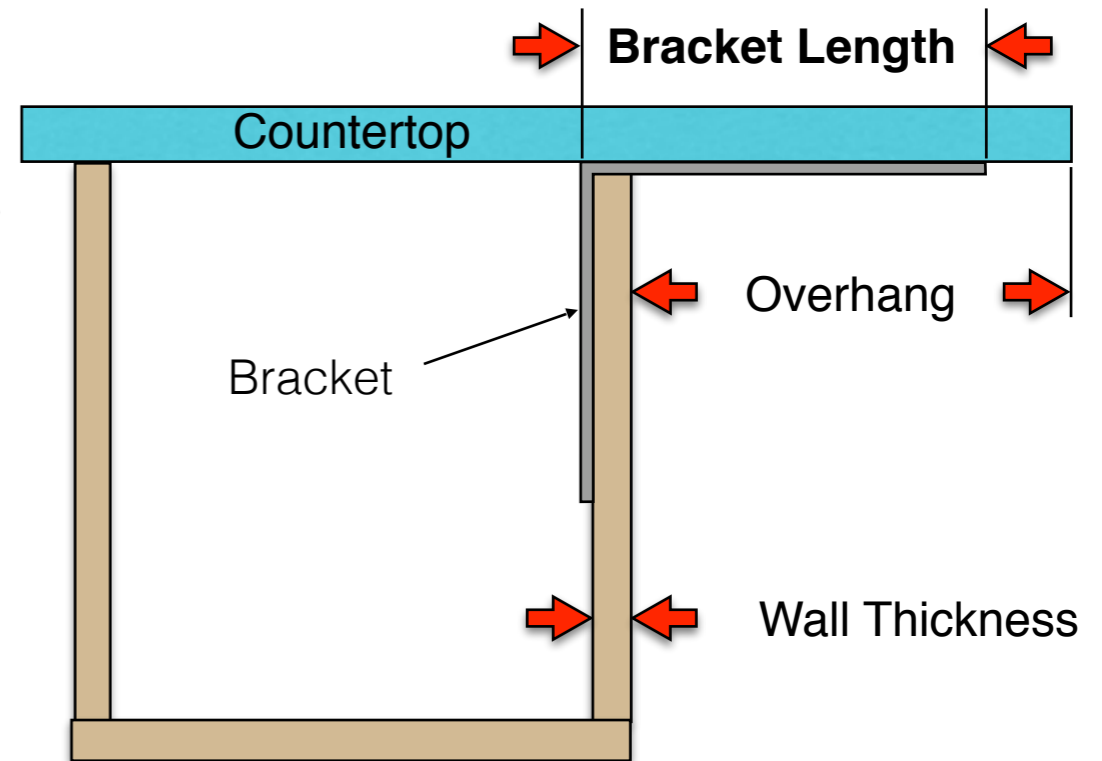
# Select Bracket Length (L) Based Upon Wall Thickness and Overhang

## 3 Steps to Determine Bracket Length Needed:

- (1) Select wall thickness (3/4", 2", 3", 4")
- (2) Select desired overhang (8 in. to 18 in.)
- (3) Color in Table corresponds to bracket Length (L)

## Bracket Comes in 5 Lengths (L)

8	10	12	14	16
---	----	----	----	----



<b>Wall Thickness (inches)</b>	4"	10	10	12	12	12	14	14	14	16	16	16
	3"	10	10	10	12	12	12	14	14	14	16	16
	2"	8	8	10	10	10	12	12	12	14	14	16
	3/4"	8	8	8	10	10	10	12	12	12	14	14
		8	9	10	11	12	13	14	15	16	17	18
		<b>Overhang (inches)</b>										

# Determine Number of Brackets Required

## 2 Steps to Determine # Brackets and Spacing:

- (1) Select countertop design (one level or two level)
- (2) Use Table below to find # brackets needed





Width (W)	# Brackets (One Level)	# Brackets (Two Level)
24 to 28	2	2 w/ wedge*
29 to 48	3	3 w/ wedge*
49 to 68	4	4 w/ wedge*
69 to 88	5	5 w/ wedge*
89 to 108	6	6 w/ wedge*

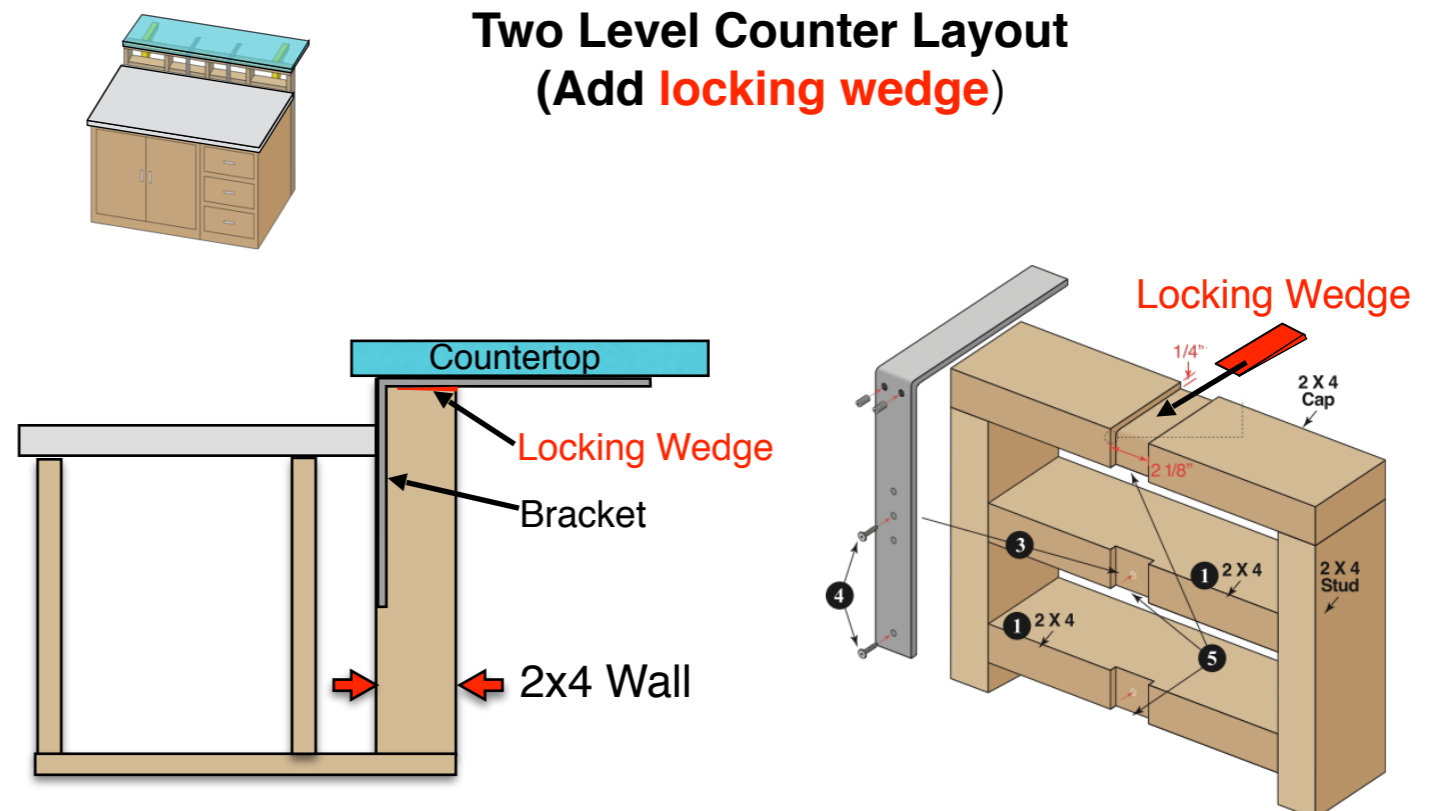
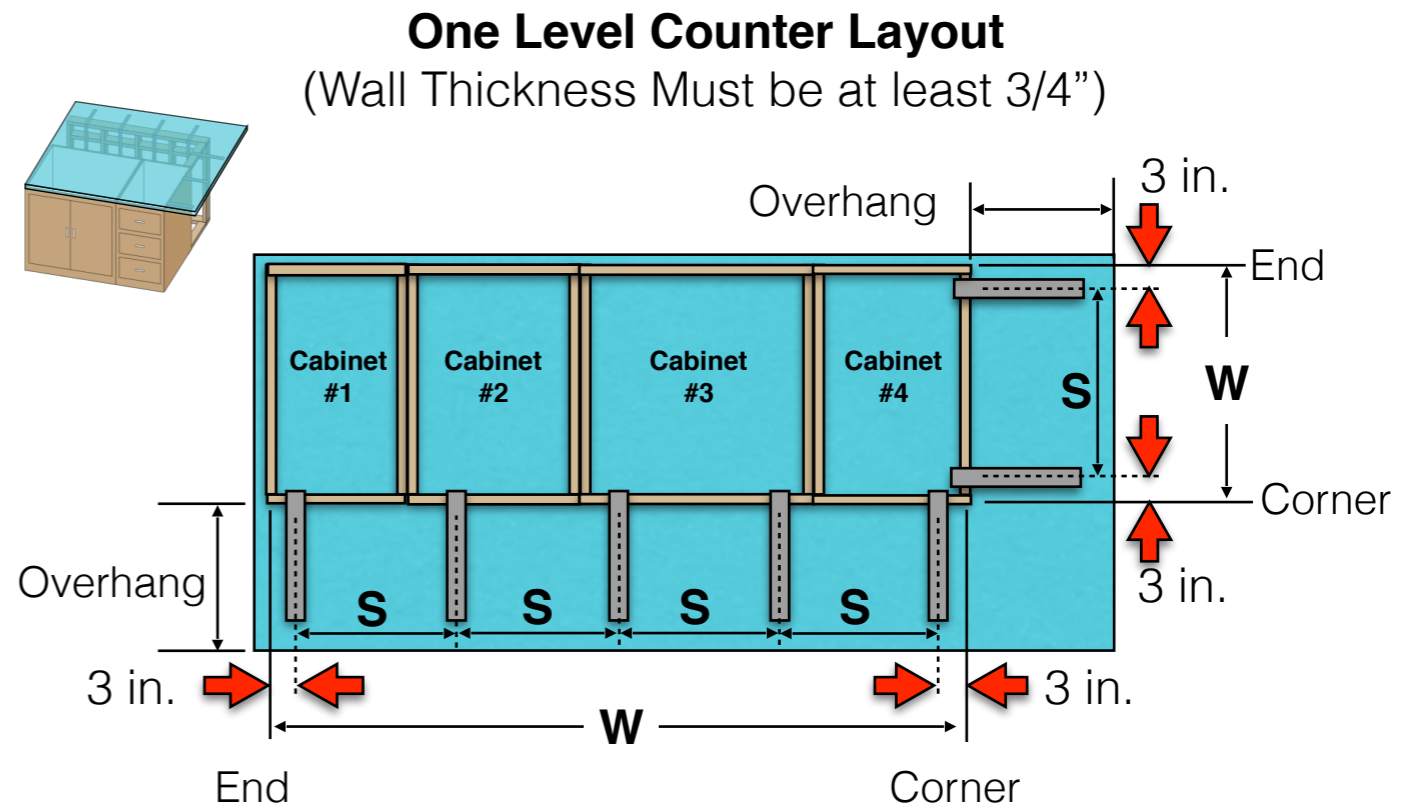
\* Wedge 1-2" Wide, sharp to 1/16" thick in Home Depot Store SKU # 879282

- (3) Calculate spacing (S) using equation below

$$S = \frac{(W-6)}{(\# \text{ Brackets})-1}$$

### Legend

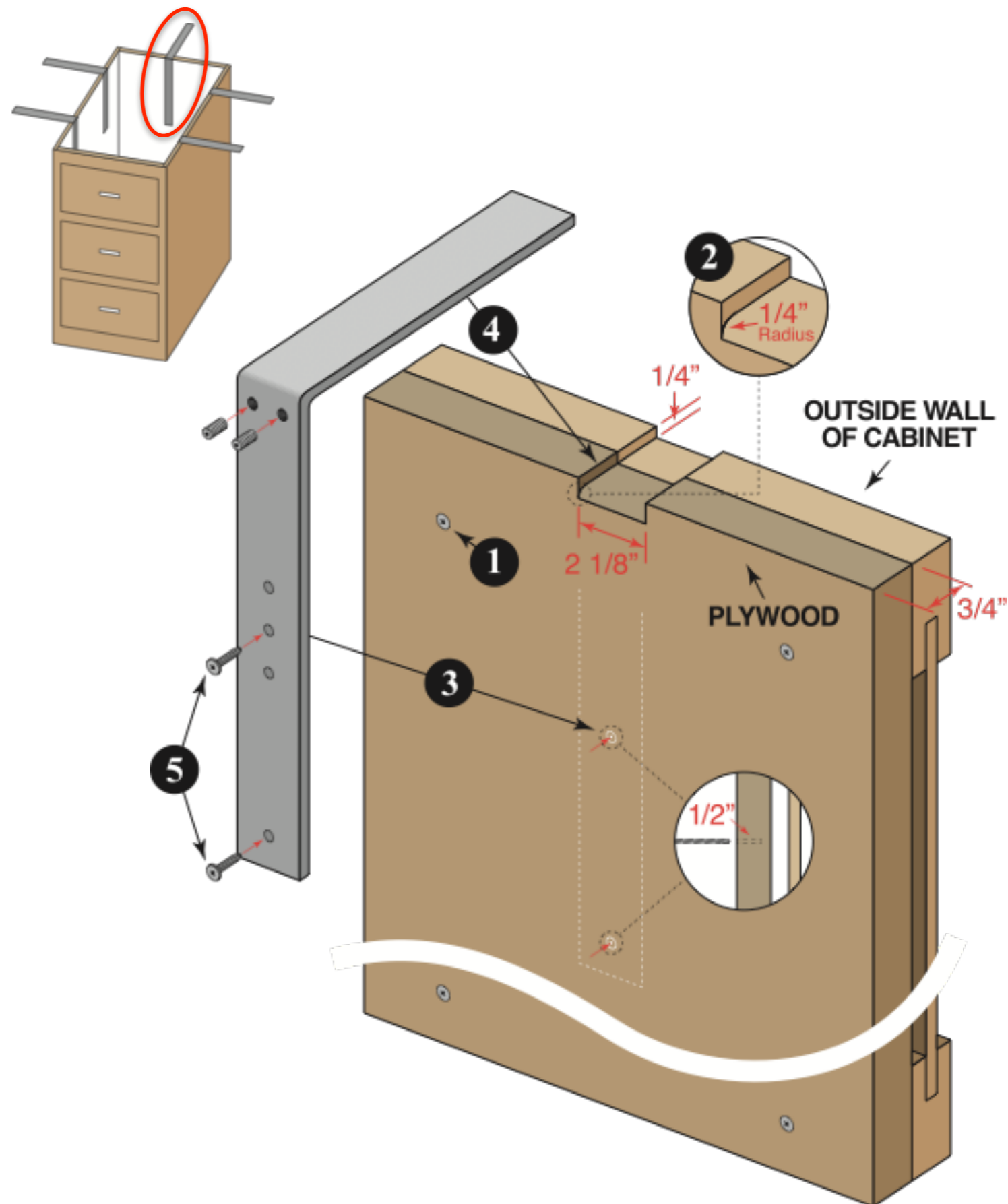
	Countertop being supported
	Bracket distance to end/corner
	Bracket
	Locking Wedge
<b>W</b>	Cabinet Width
<b>#</b>	Number Brackets
<b>S</b>	Bracket Spacing



# Option 1: Mounting Bracket to Back of Cabinet

## Reference the numbers below with the diagram

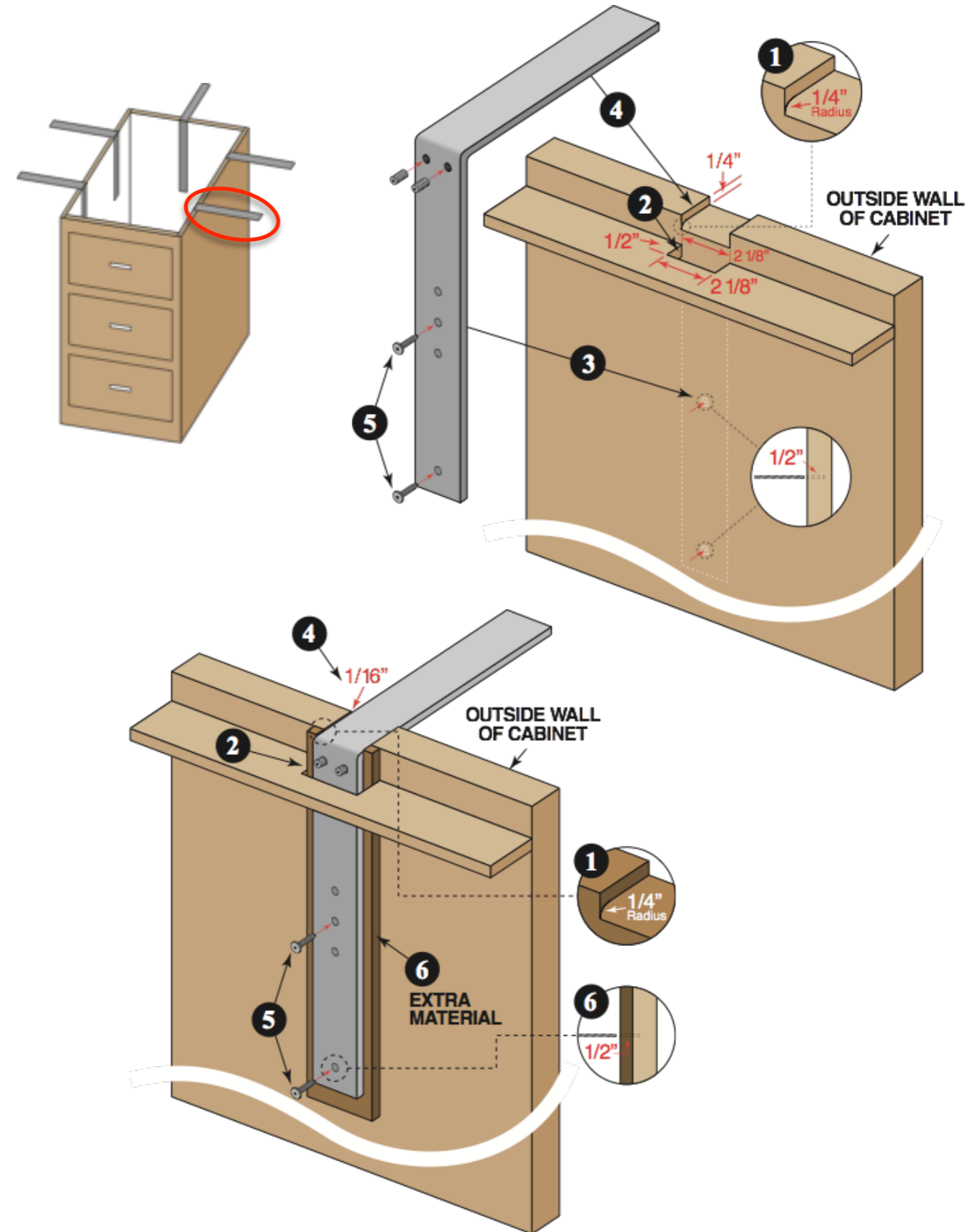
1. Attach 3/4" plywood (if necessary) to inside of cabinet to meet 3/4" min wall thickness requirement. Attach using 4 wood screws (not included).
2. Notch top wall 1/4" by 2 1/8". Cut 1/4" radius on inside wall
3. Using bracket as a template, mark holes and drill 1/8" pilot holes 1/2" deep
4. Make sure bracket fits tightly on wall surface and there is 1/16" gap from top of bracket to top of wall. If not, remove material in notch or radius.
5. Attach bracket to wall using 2 - 3/4" wood screws, one in bottom hole and one in middle hole.



# Option 2: Mounting Bracket to Side of Cabinet

## Reference the numbers below with the diagram

1. If wall thickness is at least  $\frac{3}{4}$ " notch top of wall  $\frac{1}{4}$ " by  $2 \frac{1}{8}$ ". Cut radius on inside wall. If wall is less than  $\frac{3}{4}$ ", add material to inside of wall so wall is at least  $\frac{3}{4}$ ". (see number 6 in lower image)
2. Using a jigsaw, cut a slot at least  $\frac{1}{2}$ " by  $2 \frac{1}{8}$ " in any support that obstructs the bracket's fit.
3. Using bracket as a template, mark holes and drill  $\frac{1}{8}$ " pilot holes  $\frac{1}{2}$ " deep at two places.
4. Make sure bracket fits tightly on wall surface and there is  $\frac{1}{16}$ " gap from top of bracket to top of wall. If not, remove material in notch or radius.
5. Attach bracket to wall using 2 -  $\frac{3}{4}$ " wood screws, one in bottom hole and one in middle hole.

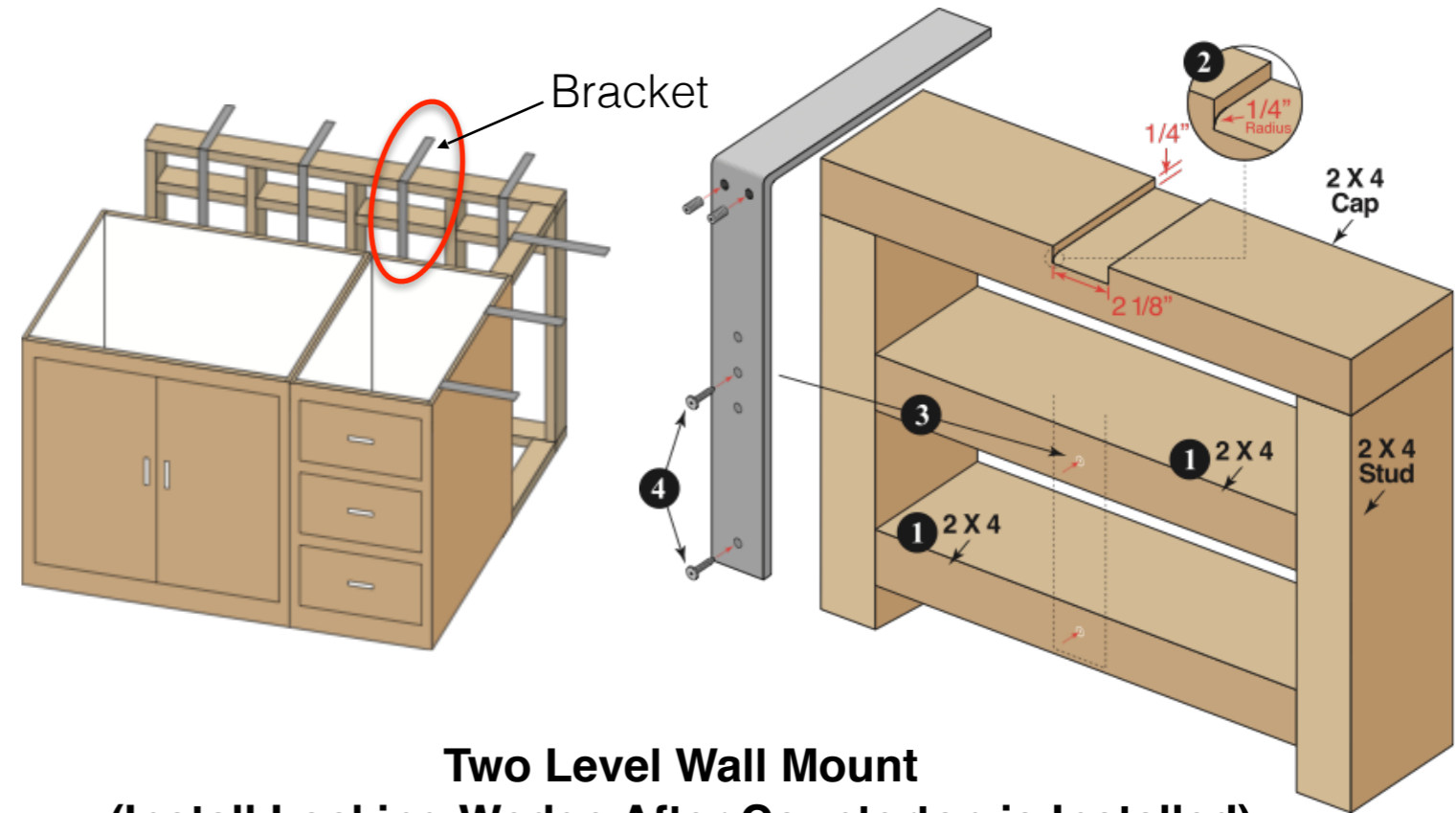


# Option 3: Mounting Bracket to Wall

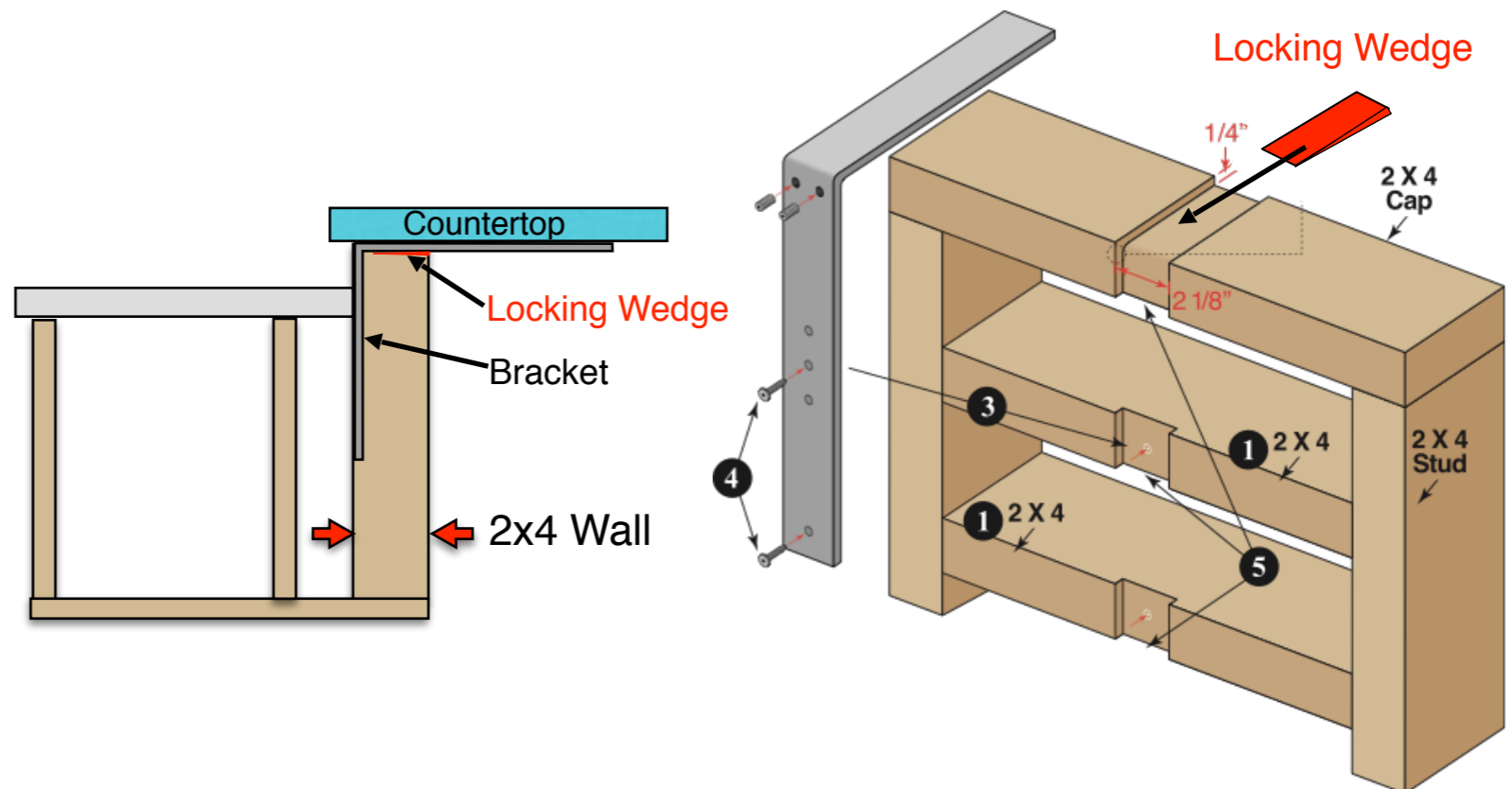
Reference the numbers below with the diagram above

1. Install 2x4 cross braces between wall studs to support bracket. The bracket can be mounted on stud or any location on cross braces. Use bracket as template to locate cross braces.
2. If single level countertop, notch top of 2x4 cap  $\frac{1}{4}$ " by  $2 \frac{1}{8}$ ". Cut  $\frac{1}{4}$ " radius on inside wall. If two level, make additional notches on back of wall  $\frac{1}{2}$ " deep by  $2 \frac{1}{8}$ " so backsplash or finished surface can cover bracket. (see number 5 in lower image)
3. Make sure bracket fits tightly on wall surface and there is  $\frac{1}{16}$ " to top of wall. If not, remove material in notch until bracket is  $\frac{1}{16}$ " from top surface of wall.
4. Attach bracket to wall using 2 -  $\frac{3}{4}$ " wood screws, one in bottom hole and one in middle hole.

## Single Level Wall Mount



## Two Level Wall Mount (Install Locking Wedge After Countertop is Installed)



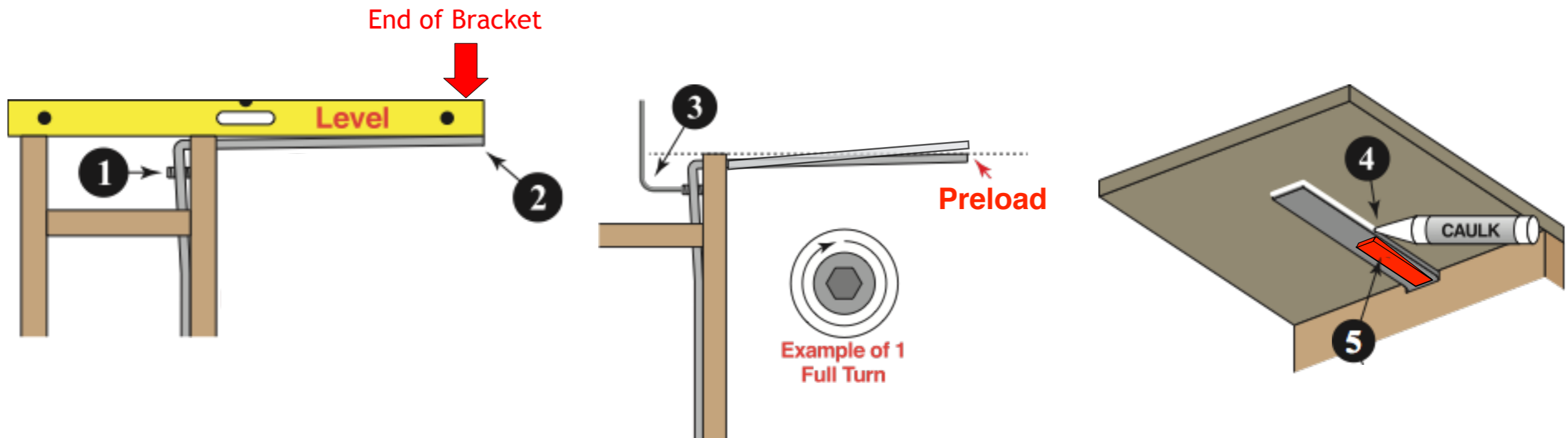
# Adjusting Set Screws and Installing Countertop

## Reference the numbers below with the diagrams

1. Turn set screws to level end of bracket with other parts of counter.
2. Use a level to confirm end of bracket is level and both set screws are equally engaged.
3. Turn both set screws additional turns based upon Table 2. This provides support at the end of the bracket and ensures uniform support of your specific countertop by preloading bracket.
4. Install countertop and apply caulk around perimeter of bracket under countertop.
5. Install locking wedge (only for two level countertop)

Counter Weight (lbs/sq ft)	Bracket Length (L)				
	8	10	12	14	16
<b>18</b> (Granite 1-1/4" thick)	2.5	3	3.5	4	4.5
<b>12</b> (Granite 3/4" thick)	1.7	2	2.3	2.7	3
<b>6</b> (Lighter Material)	0.8	1	1.2	1.3	1.5

**Table 2 Number of set screw turns to preload bracket**





# Contact Information and Warranty

## **CONTACT INFORMATION**

If you have questions about bracket sizing or number of brackets for your specific countertop overhang, please send a diagram of countertop along with a list of questions to [info@snyderinnovations.com](mailto:info@snyderinnovations.com).

## **INSTRUCTIONS DISCLAIMER**

Snyder Innovations, Inc. ("SI") intends to make these installation instructions accurate and complete. However, SI makes no claim that the information contained herein addresses all conceivable details, conditions or variations, nor does it provide for every possible contingency in connection with the installation or use of this product. The information contained in this document is subject to change without notice or obligation of any kind.

## **LIMITED WARRANTY**

Snyder Innovations, Inc. ("SI") warrants that the Low Profile Adjustable Bracket (LPAB) will be free from defects in material and workmanship under normal and proper usage for a period of twelve (12) months from the date of purchase. This warranty does not extend to any hardware such as screws or wrenches which may be included in the LPAB packaging. If the warranty in the LPAB packaging differs from the warranty policy posted at [www.snyderinnovations.com](http://www.snyderinnovations.com), the policy at [www.snyderinnovations.com](http://www.snyderinnovations.com) shall be considered the most current and in effect.

The LPAB has an intended purpose. If the LPAB is used outside of that purpose, the product will not be warranted and SI shall not be held responsible for any damage that may occur due to accident, abuse, misuse or negligence. The following products are not covered under this warranty: (1) LPABs that have been altered, modified, neglected or poorly maintained; (2) LPABs that are purchased in used condition, not in original packaging, or from an unauthorized dealer or distributor; (3) LPABs that have been damaged during transit or shipping.

The following damages are not covered under this warranty: (1) Damage to persons or property due to improperly installed or repaired LPABs as recommended by SI; (2) Damage from causes other than defects in materials and workmanship such as a purchaser's or installer's lack of skill, competence or experience.

SI's obligation under this warranty is limited to one the following at the sole option of SI: (1) Replacement of the defective LPAB; (2) Supply of equivalent goods; (3) The payment of the cost of replacing the LPAB; or (4) The payment of the cost of having the LPAB repaired.

SI's sole obligation and your exclusive remedy under this warranty shall be limited to the cost of such repair or replacement. SI's aggregate liability, if any, in damages or otherwise, shall not exceed the purchase price paid to SI by the purchaser for the LPAB product which gave rise to the warranty claim. This warranty does not cover the repair or replacement costs of any property other than the defective LPAB.

To the extent permitted by law, this warranty and remedies set forth above are exclusive and in lieu of all other warranties, remedies and conditions, whether oral or written, statutory, express or implied. As permitted by applicable law, SI specifically disclaims any and all statutory or implied warranties, including, without limitation, warranties of merchantability, fitness for a particular purpose and warranties against hidden or latent defects. If SI cannot lawfully disclaim statutory or implied warranties then to the extent permitted by law, all such warranties shall be limited in duration to the duration of this express limited warranty and to repair or replacement service as determined by SI in its sole discretion. No SI reseller, agent, or employee is authorized to make any modification, extension, or addition to this warranty. Except as provided in this warranty and to the extent permitted by law, SI is not responsible for direct, special, incidental or consequential damages however caused.

To make a claim under this limited warranty, contact SI by email to [info@snyderinnovations.com](mailto:info@snyderinnovations.com). SI must be notified in writing of any claim under this warranty within 45 days of any claimed lack of conformity of the product. All warranty claims must be accompanied by a legible copy of the original receipt showing the date and cost of the purchase along with the purchaser's name, address and phone number.

This warranty will be interpreted pursuant to the laws of State of Connecticut. By purchasing this product, the buyer submits to the exclusive jurisdiction of the State of Connecticut in regard to any disputes that may relate to the product or this warranty. If any provision of this warranty, or any portion thereof, is held to be invalid and unenforceable, then the remainder of this warranty shall nevertheless remain in full force and effect. Any otherwise void, invalid or unenforceable section, term or provision of this warranty shall be so construed, or reformed, as to alter, amend or change any such term, provision or condition to the extent necessary to render it valid, lawful and enforceable, while also giving maximum effect to the parties' originally intended purpose or result, short of creating any void, invalid or unenforceable provision, term or condition.

This warranty gives you specific legal rights and you may also have other legal rights which vary from state to state. Some states do not allow limitations on how long an implied warranty lasts, so the above limitations may not apply to you. Some states do not allow the exclusion or limitation of incidental or consequential damages, so the above limitations or exclusions may not apply to you.