

GARDA INSERT



ARIETTA



Palermo provides professional grade performance, while it's 28 1/4" width and 10 3/4" depth enables it to be discreetly installed inside standard 12" deep cabinetry, making it ideal for smaller kitchens or where the range hood needs to be Out-of-Sight. Garda has a powerful 600 cfm blower to support most cooking needs. Stainless steel push button controls operate the 3 speed blower and halogen lighting, while dishwasher safe, anodized aluminum mesh filters offer easy maintenance. Garda is designed for standard ducted or recirculating installations.



Halogen Lamps



Stainless Steel Push Button Controls



Dishwasher-Safe Anodized Aluminum Mesh Filters

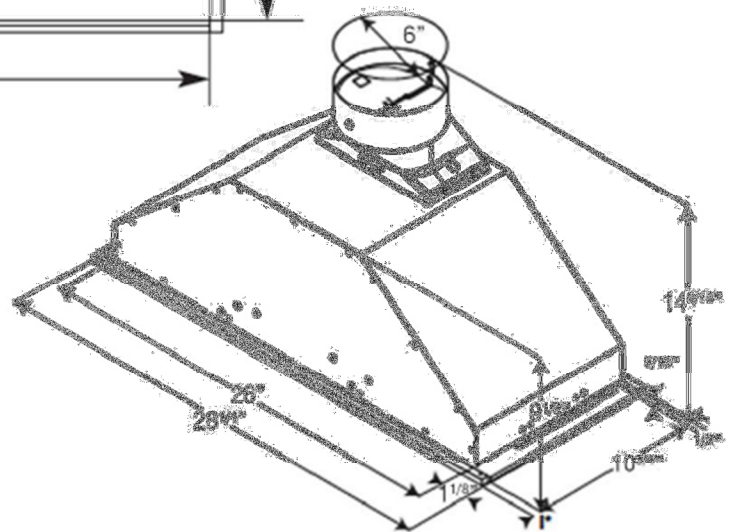
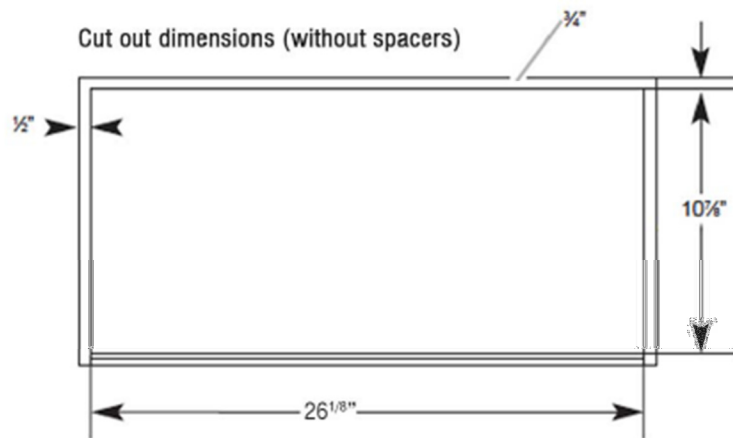
MODELS

AGR628SS GARDA 28" Stainless (28 1/4" w X 10 3/4" D X 9 1/2" H)

DIMENSIONS

Features

Size (in) & Type	28" $\frac{1}{4}$ " Wide, Insert
Finish	Stainless Steel
Controls	Stainless Steel Push Buttons
Illumination	2, 40 Watt Incandescent Lamps (Bulbs Included), 1 Light Intensity
Installation Type	Ducted or Recirculating Installations. Recirculating Kit Sold Separately
Blower Performance	600 CFM, 3-Speed Internal Speed 1, 190 CFM, 2.1 Sones Speed 2, 350 CFM, 4.7 Sones Speed 3, 600 CFM, 8.1 Sones
Filter Type	2, Dishwasher-Safe, Anodized Aluminum Mesh Grease Filters
Duct Transition	6" (Round/Top)
Electrical	120V – 60 Hz 260 Watt at 4.6 Amps



Accessories



Optional
Recirculating Kit 2
Carbon Filters

CODE: KIT02770
MODEL:EXXRCK10



Optional
30" Hood Liner
29" W x 17 $\frac{1}{2}$ " or 20
 $\frac{1}{2}$ " D x 4" H

CODE: KIT02773
MODEL:EXXHDL30

Optional
36" Hood Liner
35" W x 17 $\frac{1}{2}$ " or 20
 $\frac{1}{2}$ " D x 4" H

CODE: KIT02774
MODEL:EXXHDL36