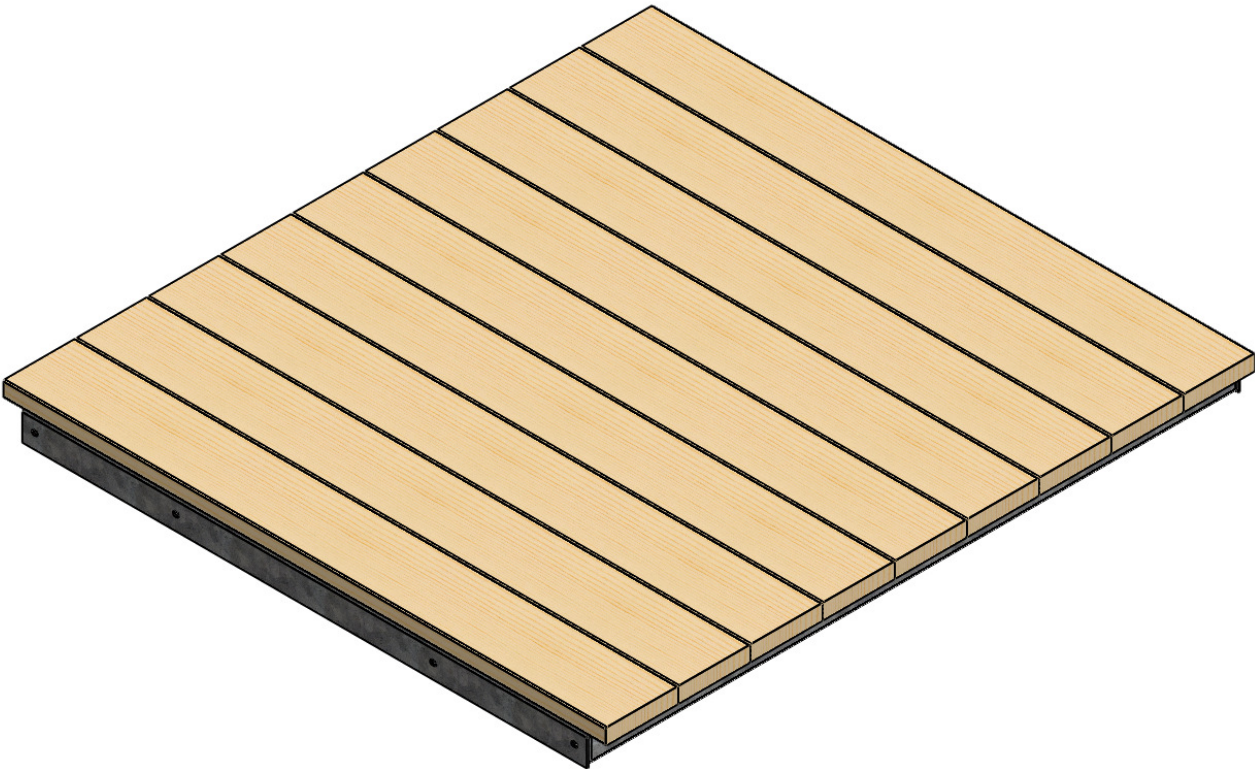


# TEMLOC Steel Storage Buildings

## Ramp Kit Installation



TEMLOC  
 1635 INNOVATION DR.  
 ROCKWALL, TX 75032  
 PHONE (972) 772-1919  
 FAX (972) 772-1833  
 WWW.TEMLOC.COM

DWG TITLE  
 Ramp Kit



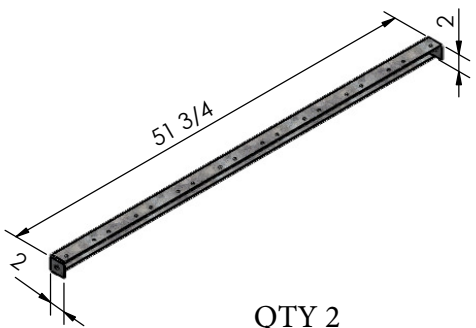
SIZE <b>B</b>	REV
------------------	-----

DO NOT SCALE DRAWING

SCALE: 1:12	WT:	SHEET 1 OF 5
-------------	-----	--------------

# TEMLOC Steel Storage Buildings Parts List

RAMP CHANNEL

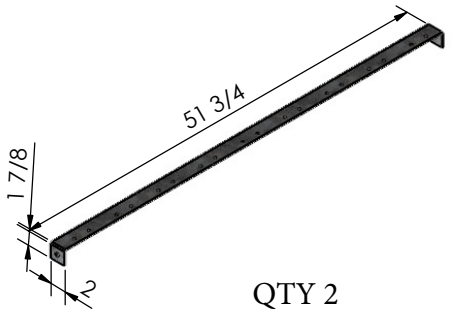


QTY 2

1

L  
SIDE VIEW

RAMP ANGLE

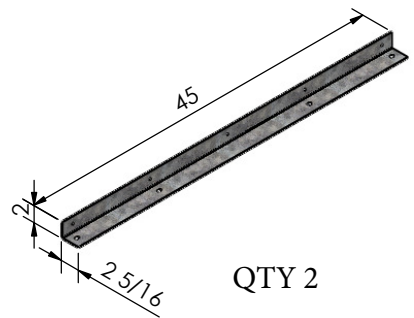


QTY 2

2

SIDE VIEW

RAMP ANGLE

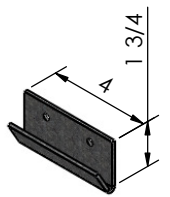


QTY 2

3

SIDE VIEW

RAMP CLIPS

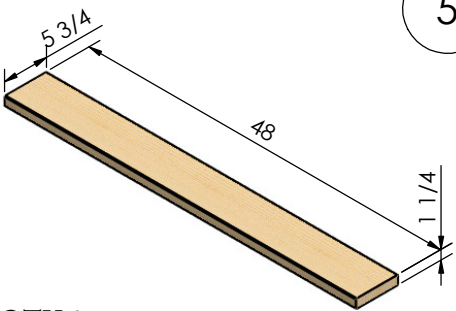


QTY 2

4

J  
SIDE VIEW

BULL-NOSED DECKING



QTY 9

5

1 1/4" DECKING SCREW



QTY : 74

5/16" X 3/4" BOLT



QTY: 8

5/16" FLANGE NUT



QTY 8

#12 TEK SCREW



QTY 6

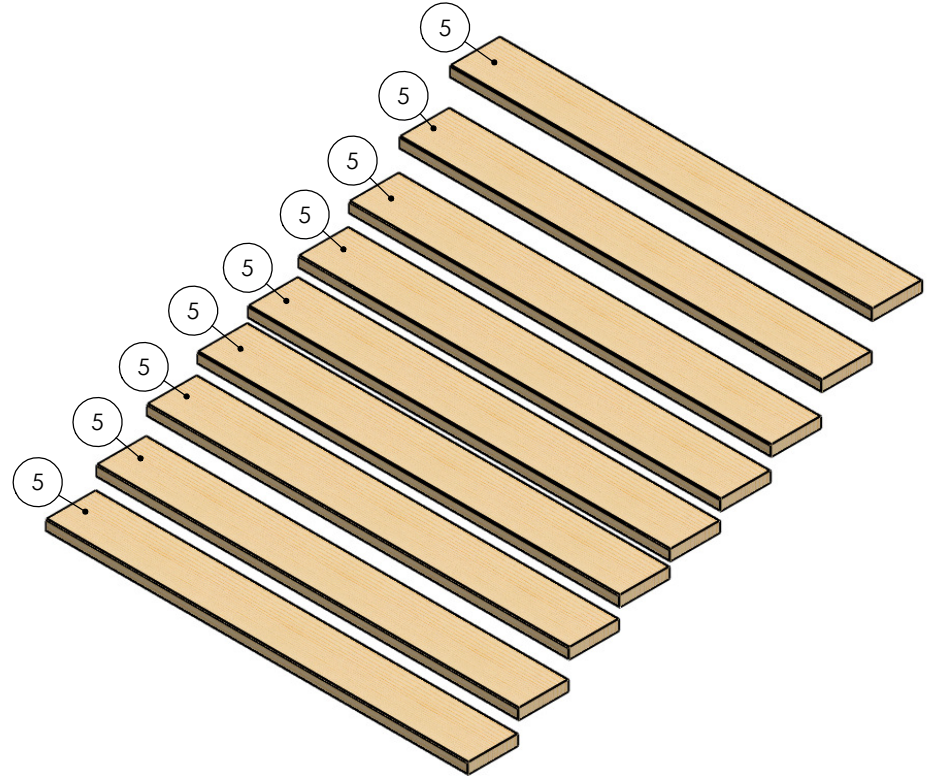
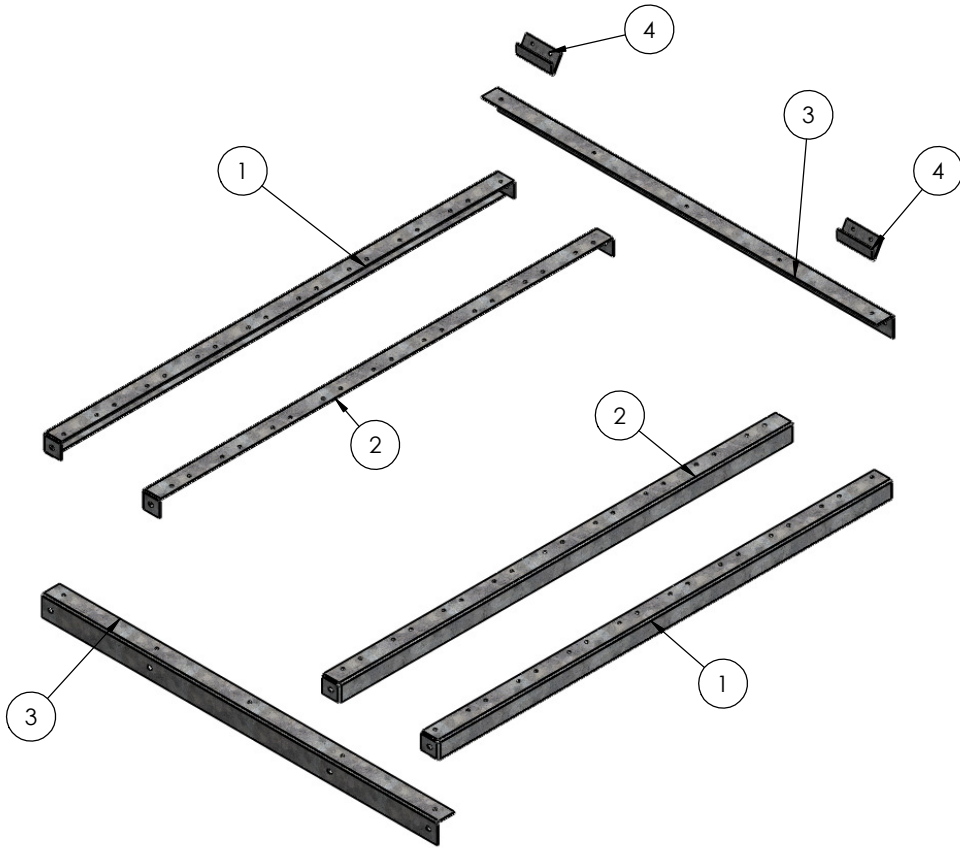
TEMLOC  
1635 INNOVATION DR.  
ROCKWALL, TX 75032  
PHONE (972) 772-1919  
FAX (972) 772-1833  
WWW.TEMLOC.COM



DWG TITLE  
Ramp Kit

SIZE <b>B</b>	REV
------------------	-----

# TEMLOC Steel Storage Buildings Ramp Kit Installation



TEMLOC  
1635 INNOVATION DR.  
ROCKWALL, TX 75032  
PHONE (972) 772-1919  
FAX (972) 772-1833  
WWW.TEMLOC.COM

DWG TITLE  
Ramp Kit



SIZE <b>B</b>	REV
------------------	-----

DO NOT SCALE DRAWING

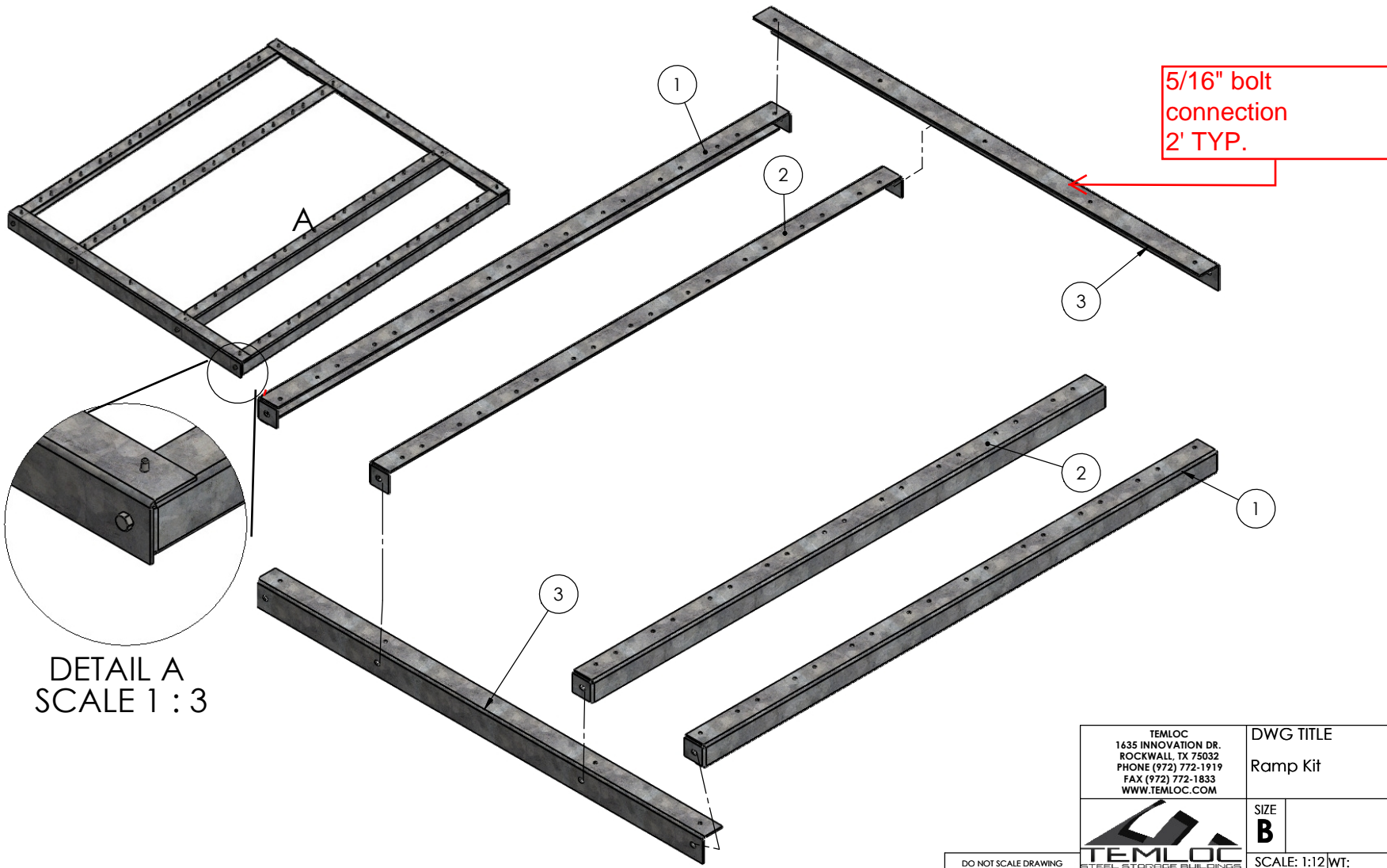
SCALE: 1:12 | WT: | SHEET 3 OF 6

8 7 6 5 4 3 2 1

# Assemble Frame Step 1

## 1. Assemble Frame

- A. Lay the pieces out according to the drawing
- B. Bolt Part 1 and Part 2 to Part 3 using 5/16" x 3/4" bolts
- C. See detail A for bolting detail.



DETAIL A  
SCALE 1 : 3

DO NOT SCALE DRAWING

TEMLOC  
1635 INNOVATION DR.  
ROCKWALL, TX 75032  
PHONE (972) 772-1919  
FAX (972) 772-1833  
WWW.TEMLOC.COM



DWG TITLE	
Ramp Kit	

SIZE	REV
<b>B</b>	

SCALE: 1:12	WT:	SHEET 3 OF 5
-------------	-----	--------------

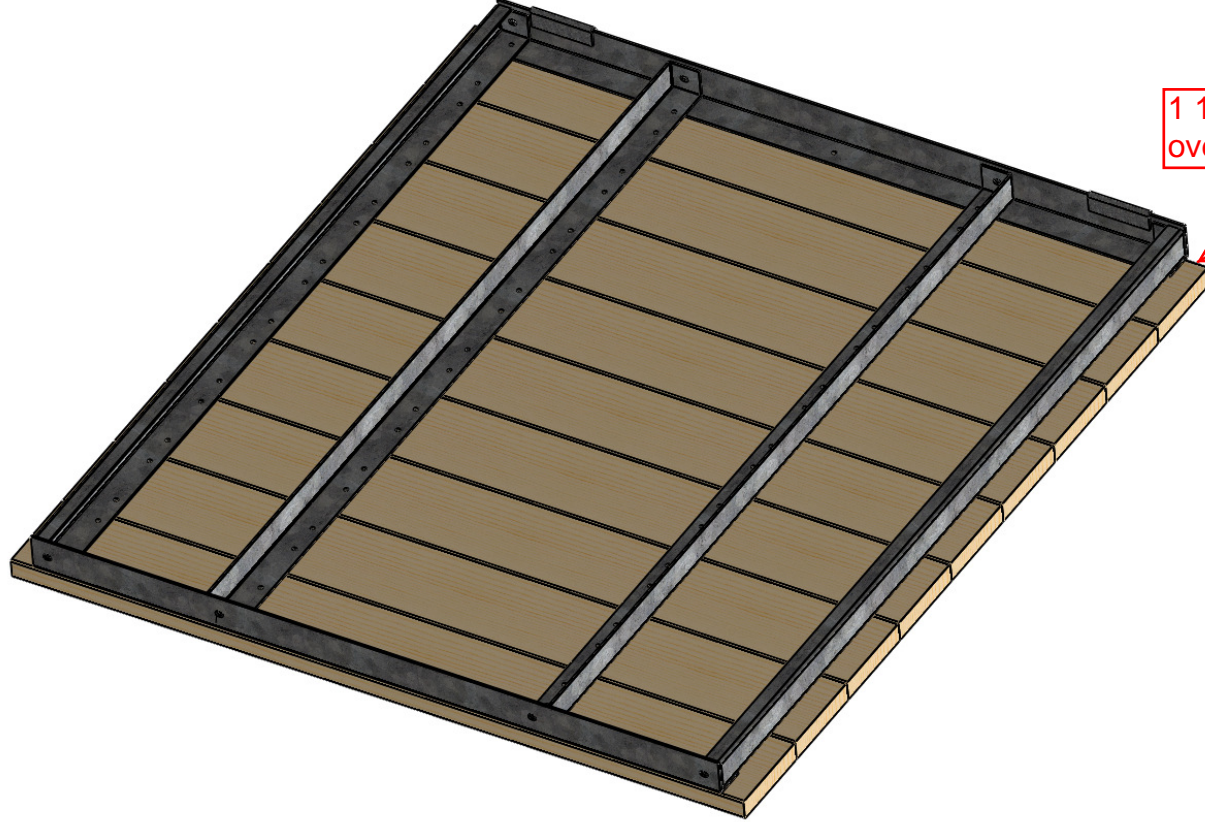
8 7 6 5 4 3 2 1

8 7 6 5 4 3 2 1

## Assemble Planks Step 2

### 2. Assemble Frame

- A. Lay your wood planks out
- B. Flip the bolted ramp frame onto the wood planks
- C. Line the ends up flush with an 1.5" overhang on each side
- D. Start fastening from one end of the ramp with a 1 1/4" decking screws board by board
- E. Use the pre punched holes as a guide to where to screw the boards into place
- F. Make sure you bump the boards tight as you go and maintain overhang



1 1/2" plank  
overhang approx.

D  
C  
B  
A

D  
C  
B  
A

8 7 6 5 4 3 2 1

DO NOT SCALE DRAWING

TEMLOC  
1635 INNOVATION DR.  
ROCKWALL, TX 75032  
PHONE (972) 772-1919  
FAX (972) 772-1833  
WWW.TEMLOC.COM



DWG TITLE  
Ramp Kit

SIZE <b>B</b>	REV
------------------	-----

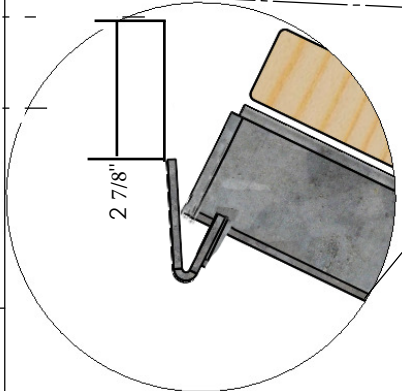
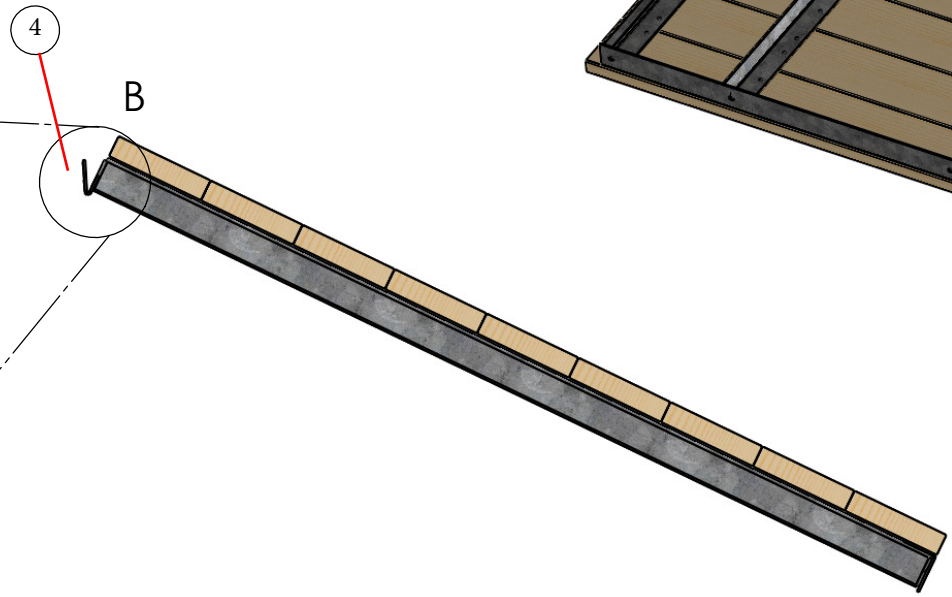
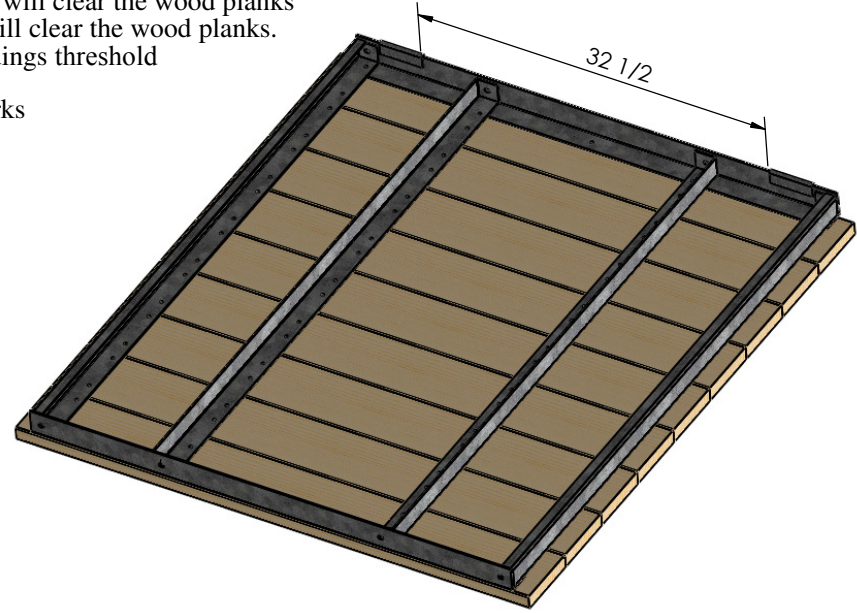
SCALE: 1:12 | WT: | SHEET 4 OF 5

8 7 6 5 4 3 2 1

### 3. Attach Ramp

- A. Use #12 Tek Screws to attach the clips.
- B. The angled part of the clips hooks under the ramp as shown in Detail B
- C. The clips should be spaced 32.5" apart from each other and be pushed to as far to the outside as possible
- D. Before attaching the clips to the building, pre measure to make sure the door will clear the wood planks
- E. Use a permanent marker to measure where the ramp should go so the door will clear the wood planks.
- F. 2 7/8" is usually recommended from the top of the clip to the top of the buildings threshold
- G. See Detail B
- H. Now attach the ramp clips to the building using #12 tek screws and your marks

## Attach Ramp Step 3



DETAIL B  
SCALE 1 : 2

D

D

C

C

B

B

A

A

8 7 6 5 4 3 2 1

DO NOT SCALE DRAWING

TEMLOC  
1635 INNOVATION DR.  
ROCKWALL, TX 75032  
PHONE (972) 772-1919  
FAX (972) 772-1833  
WWW.TEMLOC.COM



DWG TITLE  
Ramp Kit

SIZE <b>B</b>	REV
------------------	-----

SCALE: 1:12 | WT: | SHEET 5 OF 5