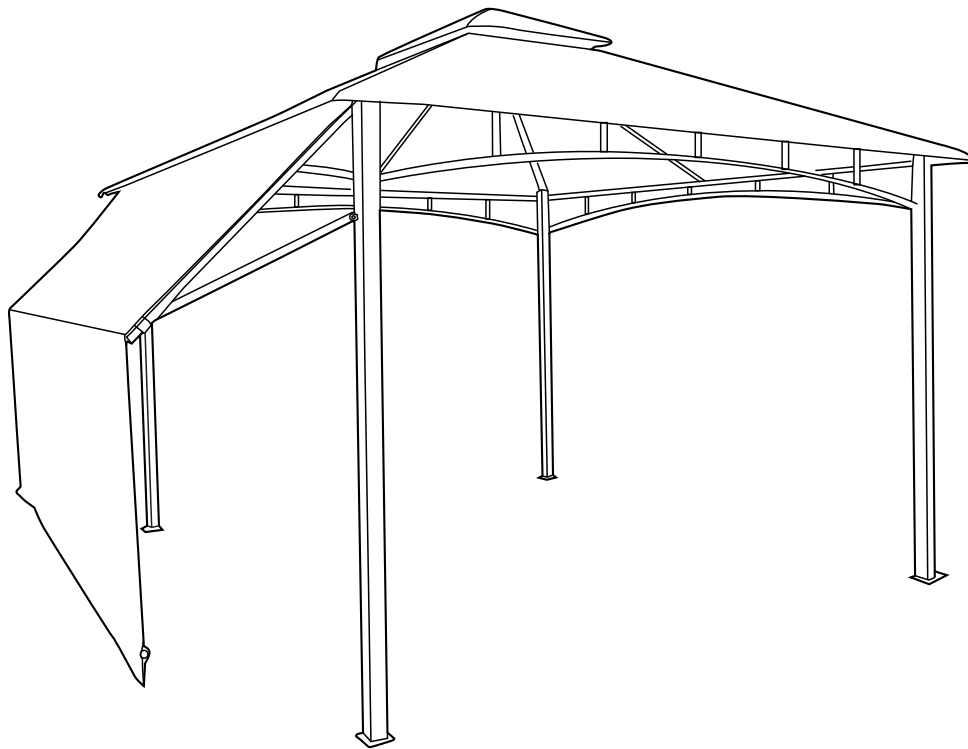




HDO Item #1000-018-551
YOW Item # 634-068
Model #5SGZ14051010-NN

USE AND CARE GUIDE

10 ft x10 ft Garden House with Awning & Back Wall



Questions, problems, missing parts? Before returning to the store,
call Hampton Bay Customer Service
8 a.m. - 6 p.m., EST, Monday-Friday

1-855-HD-HAMPTON

HAMPTONBAY.COM

THANK YOU

We appreciate the trust and confidence you have placed in Hampton Bay through the purchase of this garden house. We strive to continually create quality products designed to enhance your home. Visit us online to see our full line of products available for your home improvement needs. Thank you for choosing Hampton Bay!

Table of Contents

Table of Contents.....	2	Care Instructions.....	2
Safety Information.....	2	Pre-Assembly	3
Warranty.....	2	Planning Assembly.....	3
One Year Frame and Fabric Limited Warranty.....	2	Hardware Included.....	3
What Is Covered	2	Package Contents.....	4
What Is Not Covered	2	Assembly	5

Safety Information



WARNING: Keep all flame and heat sources away from this tent fabric. This tent is made with fabric that meets CPAI-84 specification for flame resistance. It is not fire proof. The fabric will burn if left in continuous contact with any flame source. The application of any foreign substance to the tent fabric may render the flame-resistance properties ineffective.



WARNING: This garden house Gazebo is NOT a permanent structure and is designed for sunshade and privacy and must be used under normal weather conditions. We recommend removal of the fabric canopy in windy conditions as gazebos catch wind similar to umbrellas. You must however completely disassemble the unit prior to any severe weather conditions such as thunderstorm, hurricane, and/or heavy wind and rain. Failure to remove the fabric canopy or disassemble the unit will cause the gazebo to have structure damage or even structural collapse.



CAUTION: Always install on level ground utilizing tie down cords and ground stakes. This garden house cannot be permanently staked or attached to concrete floor or platform.



CAUTION: Garden house fabrics are water resistant but not water proof and may leak during precipitation. Fabrics will fade from direct exposure to sunlight. Remove the back wall fabric before rainy or windy weather.



CAUTION: Keep all children and pets away from assembly area. Begin assembly not less than 6 feet from any obstruction such as fence, garage, house, overhanging branches, clothes line or electrical wires. Some parts may contain sharp edges, wear protective gloves if necessary. At least two or more people are recommended for safe assembly.

Warranty

ONE YEAR FRAME AND FABRIC LIMITED WARRANTY

WHAT IS COVERED

We warrant the frame and fabric to be free of manufacturing defects to the original purchaser for one year.

WHAT IS NOT COVERED

It remains the customer's responsibility for freight and packaging charges to and from our service center. This warranty does not cover commercial use, hardware, acts of nature, fire, freezing and abusive use. In addition, purchased parts are not covered under this warranty. We reserve the right to make substitutions with similar merchandise, if the model in question is no longer in production.

Care Instructions

Before using, wipe with a clean, dry cloth. Do not use bleach or solvents. Treat the frame with liquid wax for maximum protection against UV light and salty, damp air. Wash the canopy with a mild solution of soap and water, rinse thoroughly, air dry completely.

Please properly tighten all hardware and perform periodic inspections during usage for cracked welds or loose nuts or bolts.

You may contact our customer service department with any questions by phone at 1-855-HD-HAMPTON or visit www.hamptonbay.com.

Pre-Assembly

PLANNING ASSEMBLY

It will take two people about 30 minutes to complete the assembly process.

HARDWARE INCLUDED



NOTE: Hardware not shown to actual size.

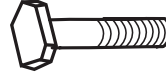
Some extra spare hardware are included to help ensure trouble free assembly.



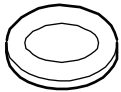
_____ AA



_____ BB



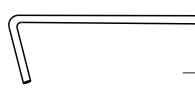
_____ CC



_____ DD



_____ EE



_____ FF



_____ GG



_____ HH

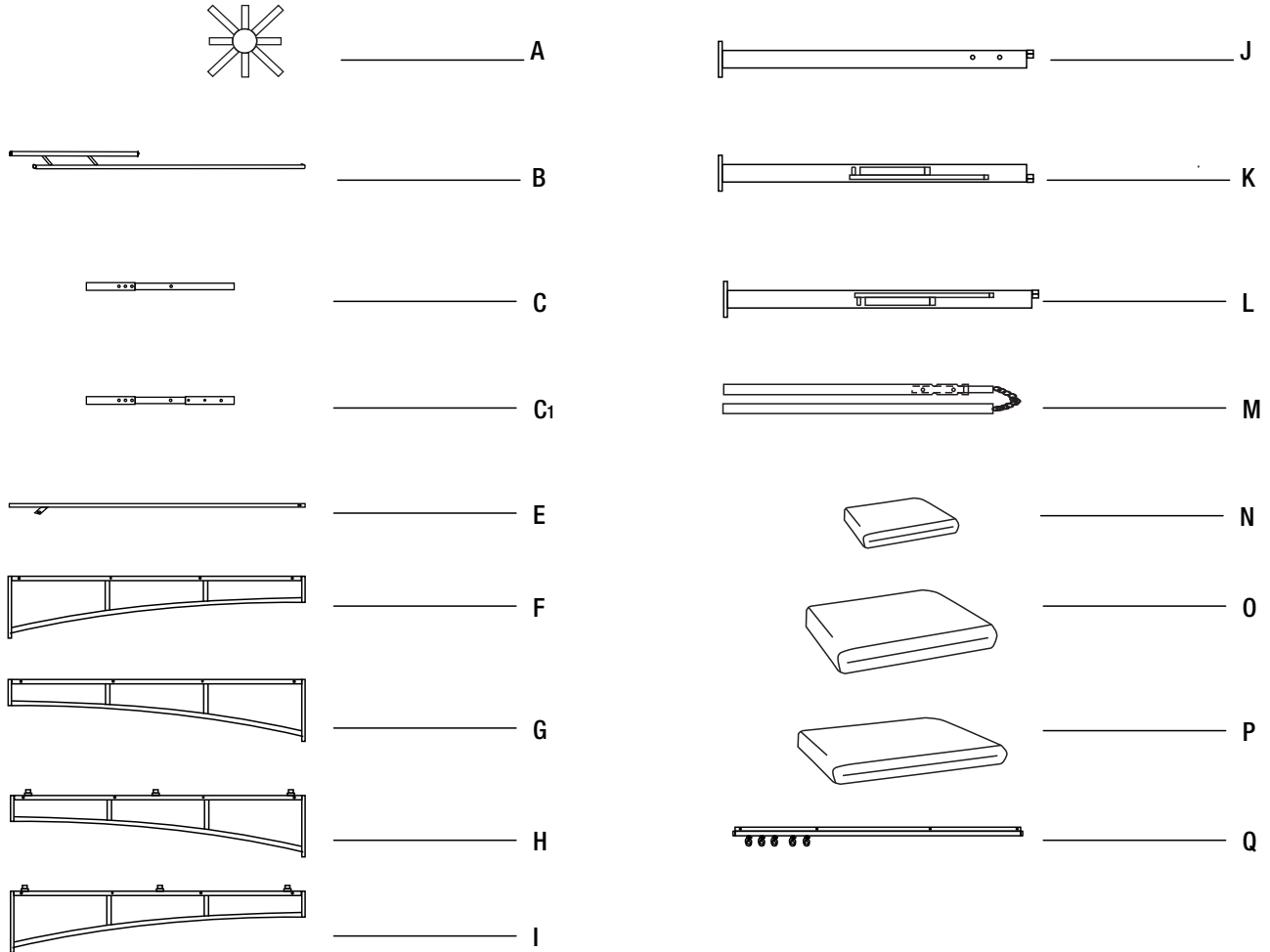


_____ II

Part	Description	Quantity
AA	Bolt (M6x25)	4
BB	Bolt (M6x30)	16
CC	Bolt (M6x35)	8
DD	Washer	16
EE	Nut	12
FF	Ground stake	4
GG	Wrench	2
HH	Philips screwdriver	1
II	Self-tapping screw	32

Pre-Assembly (continued)

PACKAGE CONTENTS



Part	Description	Quantity
A	Vent hub	1
B	Long corner roof tube	4
C	Short corner roof tube	3
C1	Short corner roof tube (Adjustable)	1
E	Middle roof tube	4
F	Right cross beam	3
G	Left cross beam	3
H	Left cross beam (Awning side)	1
I	Right cross beam (Awning side)	1

Part	Description	Quantity
J	Post	2
K	Right Post (Awning side)	1
L	Left Post (Awning side)	1
M	Cross bar	2ea
N	Vent cover	1
O	Main canopy	1
P	Awning fabric	1
Q	Netting rail (with hooks)	8

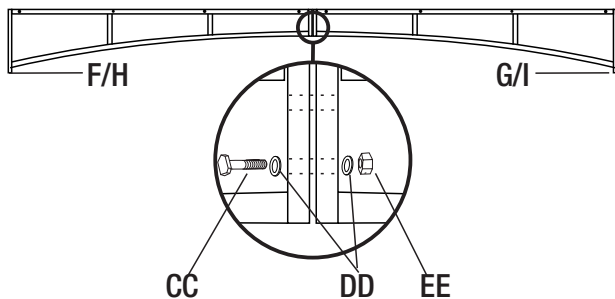
Assembly

1 Attaching the cross beams

- Attach one cross beam (F) to one cross beam (G) with one bolt (CC), two washers (DD) and one nut (EE), using two wrenches (GG). Repeat this for the remaining cross beams.
- Attach cross beam (H) to cross beam (I) with one bolt (CC), two washers (DD) and one nut (EE), using wrenches (GG).



NOTE: Please leave the upper bolt hole empty until step 6 as shown below.

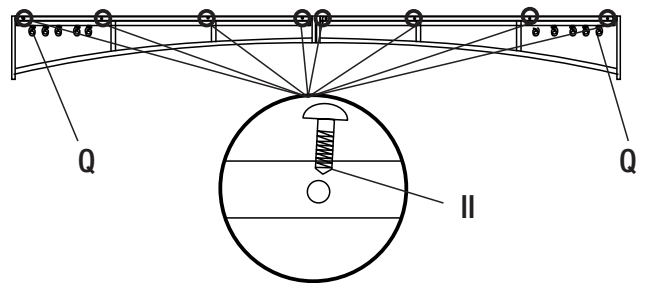


2 Attaching the netting rails

- Attach one netting rail (Q) to each side of the assembled cross beams from step 1 with four self-tapping screws (II).
- Tighten all screws (II) after these screws (II) are all into the holes on the cross beams and ready to tighten.



IMPORTANT: Please note that the netting rails should be installed on the same side and inside of the gazebo.

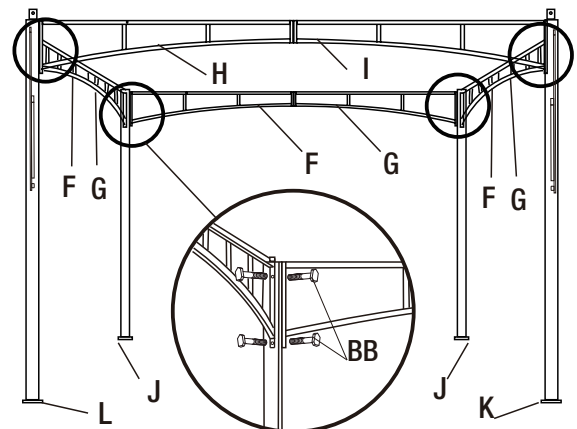
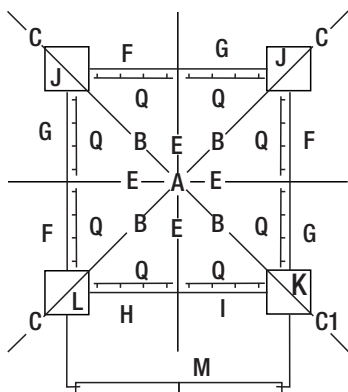


3 Setting up the main frame

- Attach post (L) to cross beam (H) with two bolts (BB) using wrench (GG). Attach post (K) to cross beam (I) with two bolts (BB) using wrench (GG). Attach one post (J) to each side of one of the assembled cross beams (F,G) with two bolts (BB) using wrench (GG).
- With a ladder attach the assembled cross beams (F,G) to join post (L and J), and (J and K) with two bolts (BB) at each end using wrench (GG).



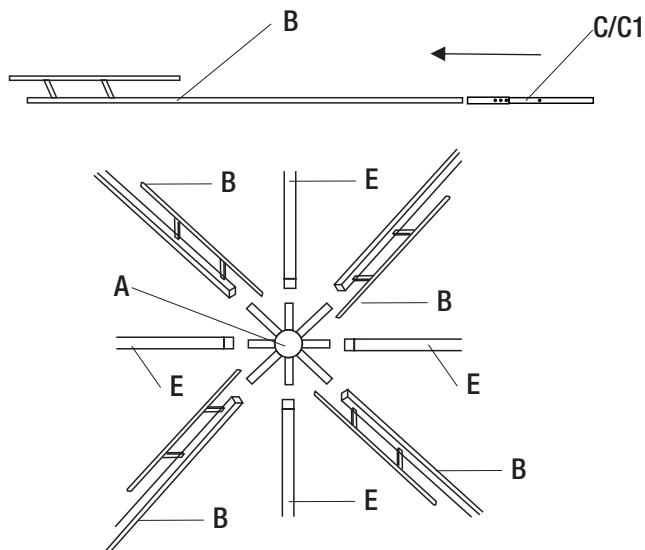
NOTE: Please follow diagram below at the end of this step as shown blow.



Assembly (continued)

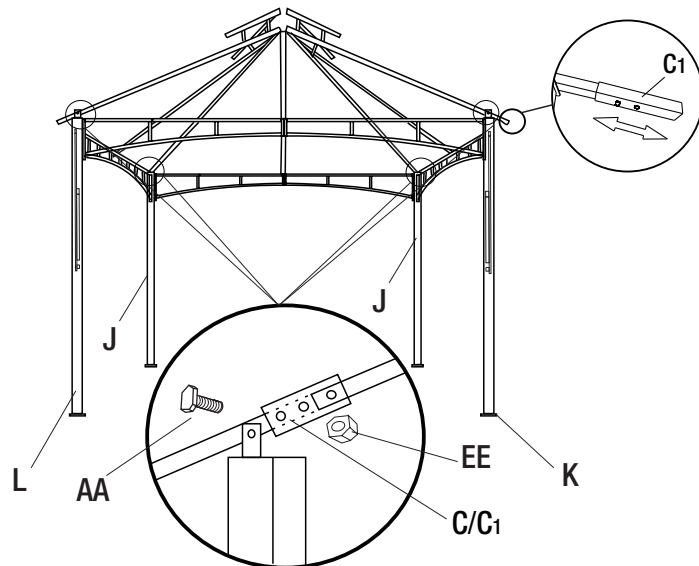
4 Assembling the roof frame

- Snap one corner roof tube (C/C1) into each corner roof tube (B).
- Snap one corner roof tube (B) into each receiver B of vent hub (A).
- Snap one middle roof tube (E) into each receiver E of vent hub (A).



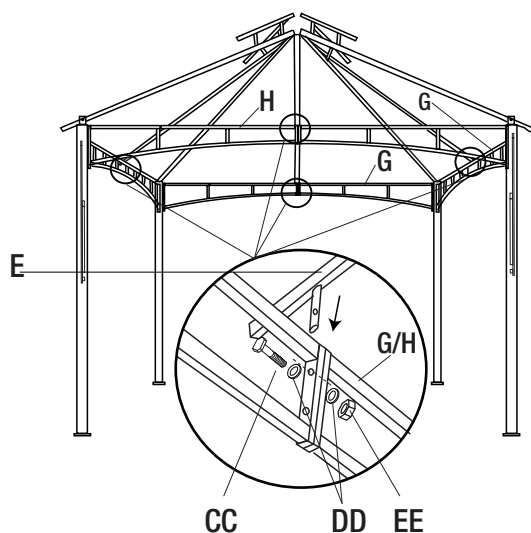
5 Attaching the roof frame

- With a ladder place the roof frame onto the main frame.
- Secure corner roof tube (C1) at the top of post K with one bolt (AA) and one nut (EE) using wrenches (GG).
* Secure the remaining corner roof tubes (C) at the top of each post (J,L) with one bolt (AA) and one nut (EE) using wrenches (GG).



6 Attaching the roof frame (continued)

- Insert the bracket on the middle roof tube (E) into the hole at the top of each cross beam (G/H).
- Secure the middle roof tube (E) inside cross beam (G/H) with one bolt (CC), two washers (DD) and one nut (EE) using wrenches (GG).

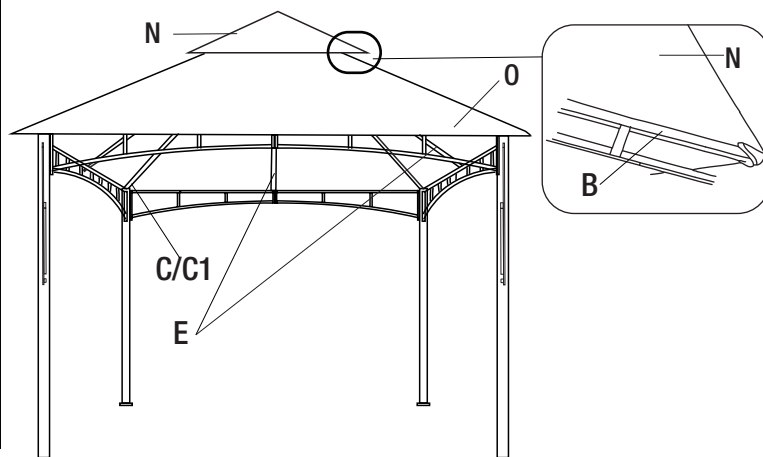


7 Covering the canopy

- Cover the roof frame with the main canopy (O). Fully extend each corner of the main canopy (O) and insert the end of each roof tube (C/C1/E) into the pockets.
- From inside of the frame place the vent cover (N) over the roof frame. Fully extend each corner of the vent cover (N) and insert the end of each corner roof tube (B) into the pockets.



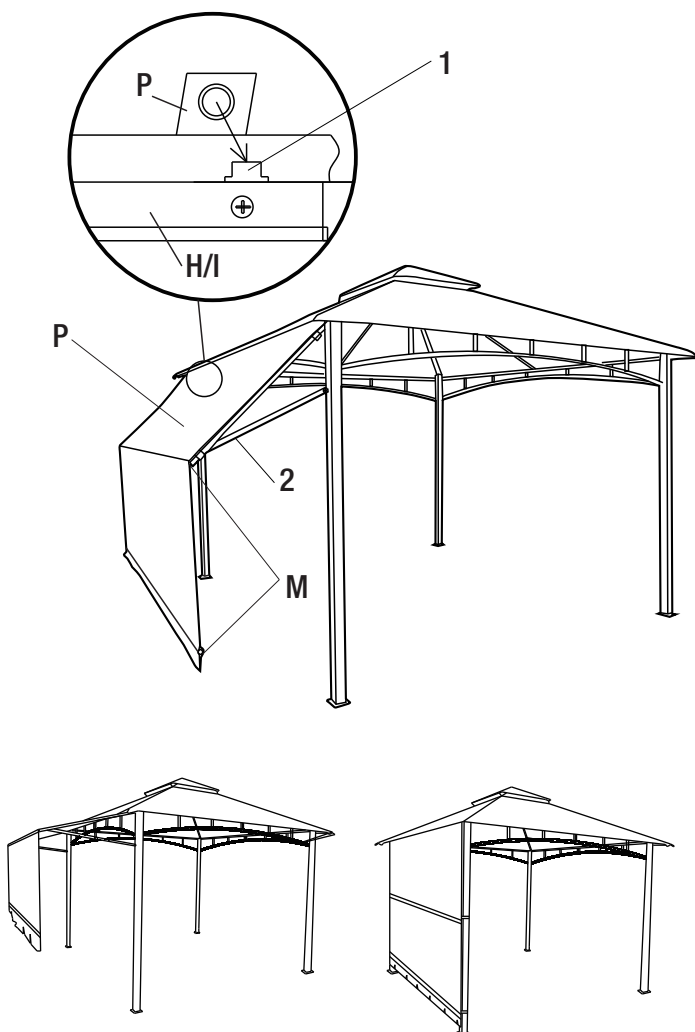
NOTE: Please extend the adjustable short corner roof tube (C1) when the main canopy (O) get loose, which ensures the main canopy (O) smooth.



Assembly (continued)

8 Attaching the awning fabric

- Attach the awning fabric (P) onto the top of the cross beam (H and I) by snapping the tab onto button (1).
- Insert one of the cross bar (M) into the middle of the awning fabric (P), attach the cross bar (M) on the bracket (2) of the posts (K and L).
- Insert the other cross bar (M) at the bottom of the awning fabric (P).



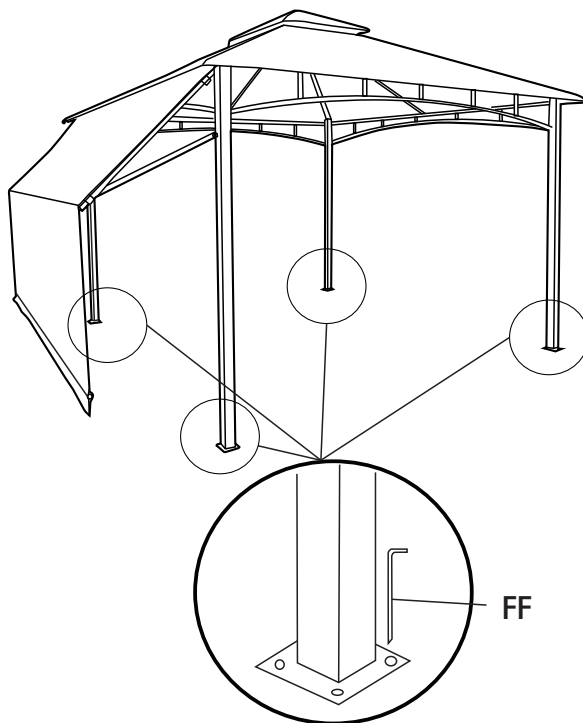
NOTE: When you let the brackets (2) down, the awning will change into a back wall.



CAUTION: Always remove the awning /back wall fabric after each use. Heavy wind or rain will easily damage the brackets on both side of the awning fabric.

9 Stabilizing the garden house

- Adjust each post until all posts are standing upright.
- Hammer one ground stake (FF) through one of the holes at each post base, into the ground to stabilize the garden house





Questions, problems, missing parts? Before returning to the store,
call Hampton Bay Customer Service
8 a.m. - 6 p.m., EST, Monday-Friday

1-855-HD-HAMPTON

HAMPTONBAY.COM

Retain this manual for future use.