

## Assembly



**Read entire operator's manual before you attempt to assemble or operate your new trash pump.**

Your trash pump requires some assembly and is ready for use after it has been properly serviced with the recommended oil and fuel.

If you have any problems with the assembly of your trash pump, please call the trash pump helpline at **(800) 743-4115**. If calling for assistance, please have the model, revision, and serial number from the identification label available. See *Controls* section for identification label location.

The following is representative of a typical installation using typical components and should be used as a guide when setting up your pump. Be sure to use a reinforced inlet hose that will not collapse when in use. Also, use 2 inch NPT connections at the inlet and outlet ports.

**To prepare your trash pump for operation, you will need to perform these tasks:**

1. Add oil to engine crankcase.
2. Add fuel to fuel tank.
3. Attach suction hose.
4. Connect discharge hose (optional).
5. Move trash pump to safe operating location.
6. Prime the trash pump.
7. Locate strainer basket into water source.

### Add Engine Oil and Fuel

- Place trash pump on a flat, level surface.

**NOTICE** Any attempt to crank or start the engine before it has been properly filled with the recommended oil will result in equipment failure.

- Refer to engine manual for oil and fuel fill information.
- Damage to equipment resulting from failure to follow this instruction will void warranty.
- Refer to engine operator's manual and follow oil and fuel recommendations and instructions.

**NOTICE** Check oil often during engine break-in. Refer to engine operator's manual for recommendations.

### Attach Suction Hose

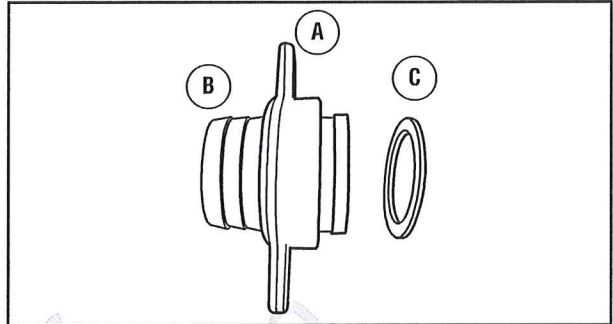
You will need the following tool to install the hoses to the trash pump:

- 1/4" or 6mm standard screwdriver

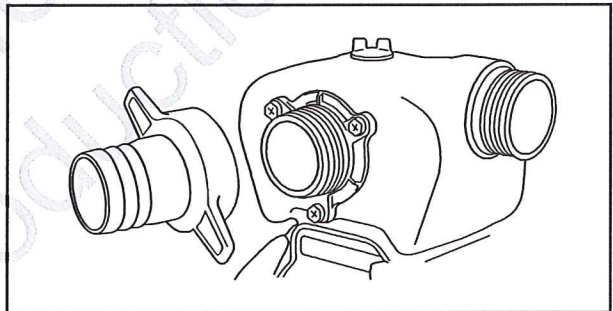
#### Connect Suction Hose to Pump

The suction hose must be reinforced with a non-collapsible wall or braided material. **DO NOT** use a hose with an inside diameter smaller than the pumps suction port size.

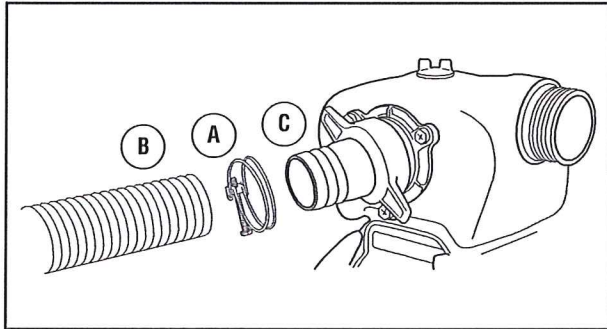
1. Slide barb cuff (A) over hose barb (B). Insert rubber seal (C) into end of barb cuff.



2. Screw hose barb assembly onto pump in clockwise rotation until hose barb assembly is tightened securely.

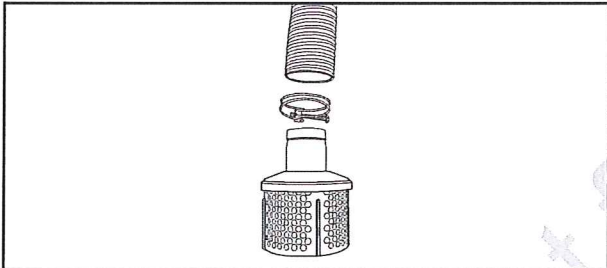


- Slide hose clamp (A) over end of hose (B). Slide suction hose onto hose barb (C). Tighten hose clamp securely using a standard 1/4" (6mm) screwdriver.



#### Attach Suction Hose to Strainer Basket

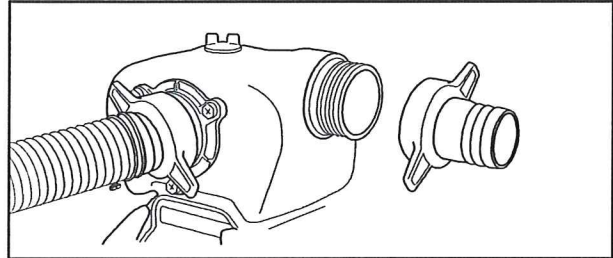
Slide hose clamp over hose. Attach open end of suction hose to strainer hose barb. Tighten hose clamp securely using a standard 1/4" (6mm) screwdriver.



#### Connect Discharge Hose (Optional)

If desired, use a commercially available hose. DO NOT use a hose with an inside diameter smaller than the pump's discharge port size.

- Slide barb cuff over hose barb. Insert rubber seal into end of barb cuff as shown earlier.
- Screw hose barb assembly onto pump in clockwise rotation until hose barb assembly is tightened securely.



- Slide hose clamp over end of discharge hose. Slide discharge hose onto hose barb. Tighten hose clamp securely using a standard 1/4" (6mm) screwdriver.

