

# PEB2060DM

## GE Profile™ 2.0 Cu. Ft. Countertop Microwave Oven

### Dimensions and Installation Information (in inches)

Exterior Dimensions (in inches)	
W x H x D	24 x 13-3/4 x 19-3/8

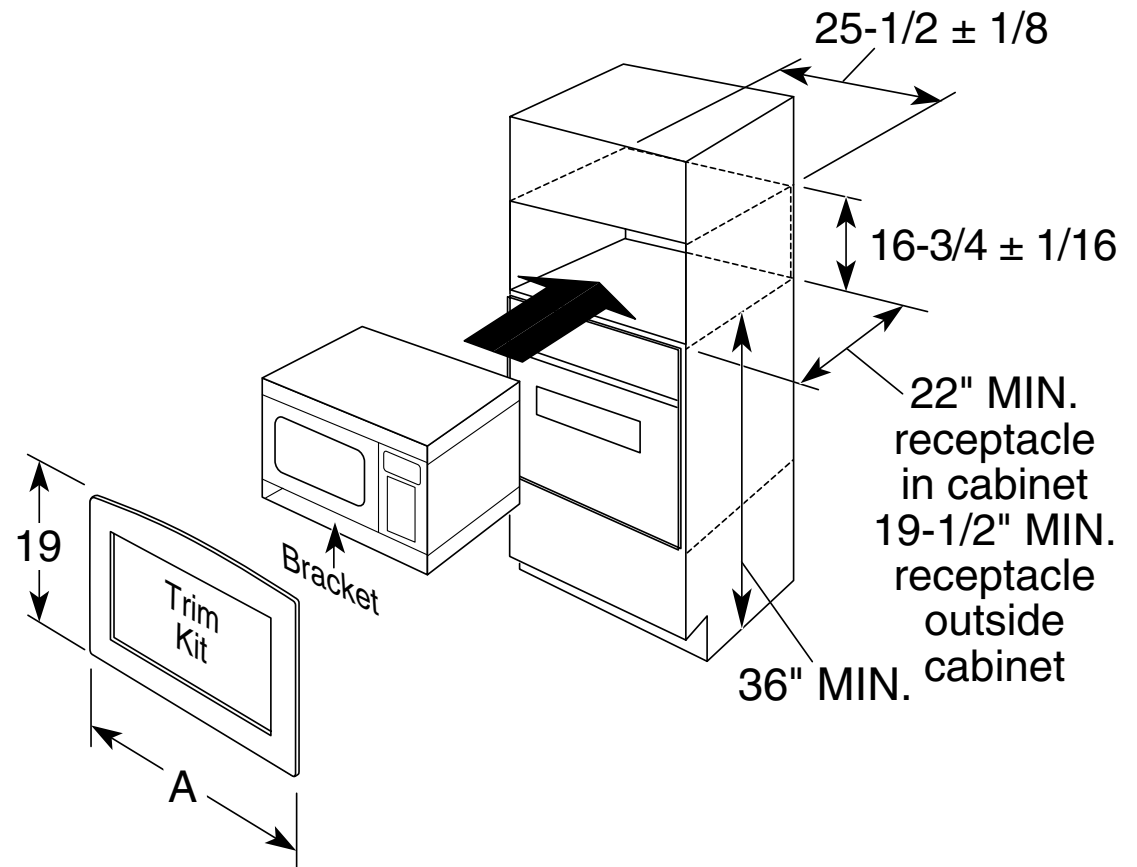
Accessory Trim Kits	"A"	Trim Kits
30" Deluxe	29-3/4"	JX2030DMWW/CC/BB
27" Deluxe	26-5/8"	JX2027DMWW/CC/BB

### Optional Accessory Trim Kits for 2.1 GE Microwave Ovens (Available at additional cost)

For a custom built-in appearance, these kits allow built-in installation of the countertop microwave oven into a wall or cabinet alone and are U.L. approved for installation over a GE single electric wall oven. These kits should not be installed over a gas wall oven.

**Note:** 120V, 60-cycle, grounded power receptacle location optional on back within cabinet opening.

**Installation Information:** This information is not intended to be used for installing unit described. Before installing, consult installation instructions packed with product/kit for current dimensional data.



For answers to your Monogram®, GE Profile™ or GE® appliance questions, visit our website at [ge.com](http://ge.com) or call GE Answer Center® service, 800.626.2000.

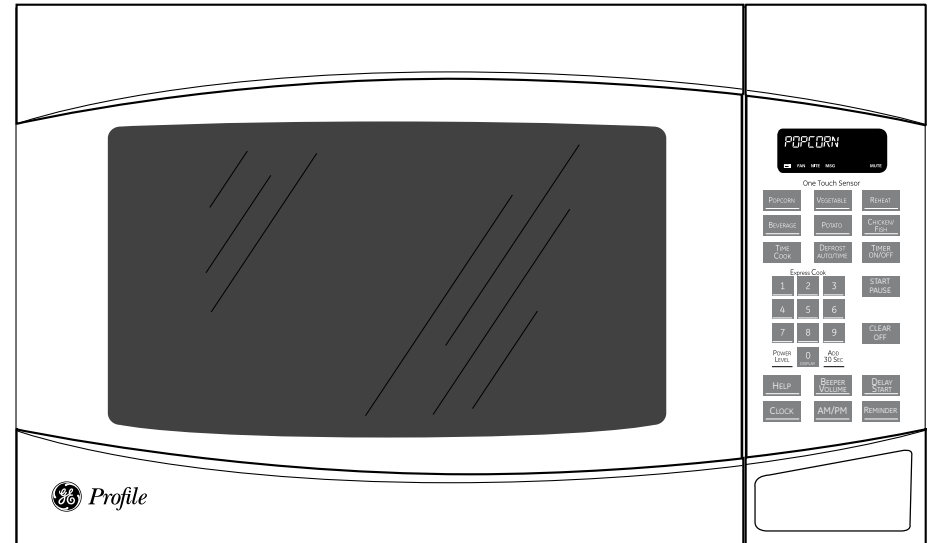


# PEB2060DM

## GE Profile™ 2.0 Cu. Ft. Countertop Microwave Oven

### Features and Benefits

- 2.0 Cu. Ft. Capacity - 1200 Watts (IEC-705 test procedure)
- Sensor Cooking Controls - Automatically adjust the time and power for exceptional cooking results
- Optional Trim Kit - Offers a built-in appearance of a countertop model
- Auto and Time Defrost - Automatically defrosts for a specified amount of time
- Turntable - Continually rotates food to ensure even cooking
- Instant On Controls - Allow quick, one-touch cooking and reheating
- Child Lock Out - Enables you to lock the keypad to prevent the oven from being accidentally started
- Kitchen Timer - Operates as a minute timer and can be used at any time, even when the oven is operating
- Add 30 Seconds - Increases cooking times with one touch
- Electronic Touch Controls - Offer easy point-and-cook convenience
- Model PEB2060DMWW – White on white
- Model PEB2060DMCC – Bisque on bisque
- Model PEB2060DMBB – Black on black



For answers to your Monogram®, GE Profile™ or GE® appliance questions, visit our website at [ge.com](http://ge.com) or call GE Answer Center® service, 800.626.2000.



imagination at work



Listed by  
Underwriters  
Laboratories