



3-in-1 Multifunction Breakfast Center



Model EBK-200/EBK-200B

Owner's Manual

Before operating your new appliance, please read all instructions carefully and keep for future reference

IMPORTANT SAFEGUARDS

When using electrical appliances, basic safety precautions should always be followed to reduce the risk of fire, electric hazard and injury to persons, including the following:

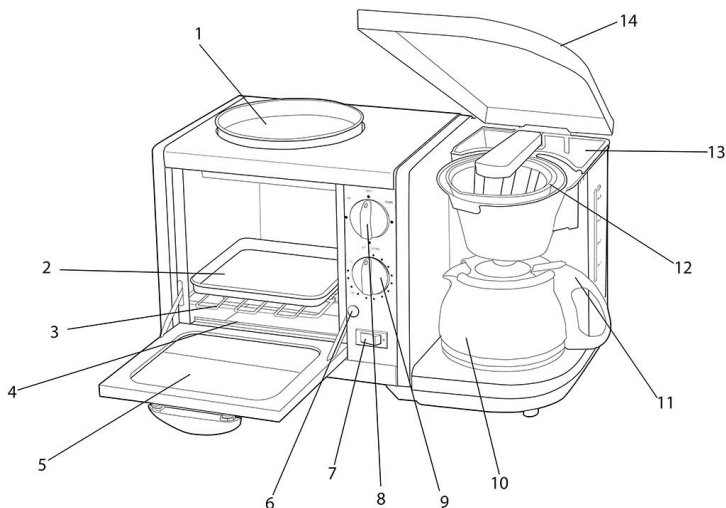
1. Read all instructions before operating.
2. Do not touch hot surfaces. Use handles or knobs.
3. To protect against electrical shock, do not immerse cord, plug or appliance in water or other liquids.
4. Close supervision is necessary when appliance is used by or near children.
5. Unplug from wall outlet when not in use and before cleaning. Allow to cool before cleaning, putting on or taking off parts.
6. Do not operate any appliance with a damaged cord or plug or after the appliance malfunctions or has been damaged in any manner. Return the appliance to the nearest authorized service facility for examination, repair or adjustment.
7. When using the oven/coffee maker, place on a stable, heat resistant surface.
8. The use of accessory attachments not recommended by the appliance manufacturer may cause injuries.
9. Do not use outdoors.
10. Do not let cord hang over edge of table or counter or touch hot surfaces.
11. Do not place on or near a hot gas or electric burner, or in a heated oven.
12. Always attach plug to appliance first, then plug cord into wall outlet. To disconnect, turn any control to OFF position, then remove plug from wall outlet.
13. Oversized foods or metal utensils must not be inserted in the appliance as they may cause a fire or risk of electrical shock.
14. A fire may occur if the appliance is covered or touching flammable material including curtains, draperies, walls and the like when in operation.
15. Do not clean with metal scouring pads. Pieces can break off the pad and touch electrical parts, involving a risk of electrical shock.
16. Extreme caution should be exercised when using containers constructed of other material other than metal or glass.
17. Do not place any of the following materials on the unit: Paper, cardboard, plastic and the like.

CAUTION: DO NOT IMMERSE IN WATER.

SAVE THESE INSTRUCTIONS

THIS PRODUCT IS FOR HOUSEHOLD USE ONLY!

PARTS & FEATURES



1. Oven-Top Griddle
2. Toaster Oven Baking Pan
3. Chrome Baking Rack
4. Crumb Tray
5. Oven Glass Door and Handle
6. Indicator Light
7. Coffeemaker ON/OFF Switch
8. Mode Selector Knob
9. Timer Control Knob
10. Coffeemaker Carafe
11. Carafe Handle
12. Coffeemaker Filter
13. Coffeemaker Water Tank

BEFORE FIRST USE

- Read instructions carefully.
- Remove all packaging materials; make sure all parts are included and are in good condition.
- Wash any accessories with warm soapy water, rinse and dry thoroughly
- Use a damp cloth to clean the exterior of the base; do not immerse the unit in water.

OPERATING INSTRUCTIONS

USING THE TOASTER OVEN

Before First Use of Toaster Oven:

PLEASE NOTE: The initial 15 minutes of use may result in minimal smell and smoke. This is normal and harmless and comes from the protective substance applied to the heating elements during manufacturing.

1. Make sure the Timer Control Knob is set to “OFF” position before plugging the power cord into a wall outlet.
2. Set the Timer Control Knob to pre-heat the oven for 15-min using mode 3 (griddle and oven working together) at the maximum temperature or until the smoke and odor no longer persist.
3. Turn the Timer Control Knob to the “OFF” position and remove the power cord from the wall outlet.

Using the Timer Control Knob:

1. In order for the toaster oven to turn on, the Timer Control Knob must be set.
2. Turn the Timer Control Knob clockwise to select the desired time. (Maximum time 15-minutes)
3. Once the desired time frame has expired, the timer bell will ring loudly and the oven will turn OFF automatically.
4. If you wish to shut the timer off earlier than the programmed time, you can manually turn it off by turning the Timer Control Knob counter clockwise to the OFF position.

Using the Toaster Oven:

1. When using the broiler tray, preheat the oven for 2-minutes.
2. When toasting, place the food directly onto the baking rack.
3. Always keep the door closed when the oven is in use.
4. The oven can be used to defrost or heat up frozen foods. The time will depend on the size and the temperature of the food.
5. To ensure uniform defrosting, divide the food into smaller portions if possible and wrap in aluminum foil.

OPERATING CONTROLS:

MODE 1	GRIDDLE/BROILER ONLY
MODE 2	OVEN ONLY
MODE 3	GRIDDLE & OVEN

USING THE BREAKFAST GRIDDLE

1. Make sure the timer is set to OFF position before plugging the power cord into a wall outlet.
2. Position the Oven-Top Griddle on top of the oven.
3. Set the Timer Control Knob to desired time.
4. Set mode selector to Mode 1.
5. When cooking is complete, set the Timer Control Knob to the OFF position before unplugging.

USING THE COFFEE MAKER

1. Fill the coffeemaker glass carafe with cold water. Lift open the tank lid and pour the water into the Coffeemaker Water Tank.
2. Swing open the filter compartment, remove the reusable filter and fill with ground coffee. Place the reusable filter back into the swing-out basket and carefully push it closed until it snaps into place.
3. Close the Coffeemaker Water Tank lid.
4. Place the empty glass carafe back onto the heating plate of the coffeemaker.
5. Switch the ON/OFF button to ON.
6. Switch button to "OFF" position when finished.

**** Note:** **The glass carafe can be kept warm as long as there is always approximately one cup of coffee left in it.**

**** Always turn off the unit when it is empty or when not in use.**

HINTS & TIPS

- Never operate the toaster oven with door completely open.
- Always use heat resistant containers. Make sure the container can fit properly inside the oven before use.
- Never set a cooking container directly on the lower heating element. Always use the Baking Rack.
- In order to prevent countertop damage from the lower heating elements, the crumb tray must always be positioned securely inside the oven.

- Always leave at least 1-inch between food or containers from the top heating element.
- Always remove any plastic or paper from TV dinner dishes before putting inside the oven to cook. Always check cooking instructions to make sure it is safe to use in a Toaster Oven.
- Take caution when removing foods or containers. Always use oven mitts or hot pads.
- Never operate the oven unattended.
- Stop using the appliance if smoke comes from the power cord. Unplug immediately.

CARE AND MAINTENANCE

1. Always make sure the unit is turned OFF and unplugged when not in use.
2. Always allow the appliance to cool down completely before cleaning.
3. Use a damp wash cloth to clean the outside of the main appliance. Use a dry cloth to clean the interior of the oven. Never use abrasive cleansers or products that cause scratching.
4. The Toaster Oven Baking Pan is dishwasher safe.
5. The removable crumb tray can be cleaned with a damp cloth. Dry it completely before replacing it back into the oven. Make sure to clean the crumb tray on a regular basis.
6. When cleaning inside the oven, make sure not to touch or damage the heat elements.

POLARIZED PLUG

If this appliance has a *polarized plug* (meaning one blade is wider than the other one), please follow the below instructions:

To reduce the risk of electric shock, this plug is intended to fit into a polarized outlet only in one direction. If the plug does not fit fully into the outlet, reverse the plug. If it still does not fit, contact a qualified electrician. Do not attempt to modify the plug in any way.

LIMITED WARRANTY* ONE (1) YEAR
WARRANTY IS ONLY VALID WITH A DATED PROOF OF PURCHASE

1. Your small kitchen appliance is built with precision, inspected and tested before leaving our factory.
2. It is warranted, to the original purchaser to be free from any manufacturing defects under normal use and conditions for one (1) year, cord excluded. This Warranty applies only to the original purchaser of this product.
3. If you need to exchange the unit, please return it in its original carton, with a sales receipt, to the store where you purchased it. If you are past the store's allowed return policy period, please see the enclosed Warranty.
4. If you use your appliance for household use and according to instructions, it should give you years of satisfactory service.

5. During the one-year warranty period, a product with a defect will be either repaired or replaced with a new or reconditioned comparable model (at our option) when the product is returned to our Service Center. (See the "Returns" section below).

6. The repaired or replacement product will be in warranty for the remaining balance of the one-year warranty period and an additional one-month period.

7. This limited warranty covers appliances purchased and used within the 50 contiguous states plus the District of Columbia and does NOT cover:

- Damages caused by unreasonable use, neglect, normal wear and tear, commercial use, improper assembly or installation of product.
- Damages caused in shipping.
- Damages caused by replacement or resetting of house fuses or circuit breakers.
- Defects other than manufacturing defects.
- Breakage caused by misuse, abuse, accident, alteration, lack of proper care and maintenance, or incorrect current or voltage.
- Lost or missing parts of the product. Parts will need to be purchased separately.
- Damages of parts that are not electrical; for example: cracked or broken plastic or glass.
- Damage from service or repair by unauthorized personnel.
- Extended warranties purchased via a separate company or reseller.
- Consumer's remorse is not an acceptable reason to return a product to our Service Center.

*One Year Limited Warranty valid only in the **50 contiguous states plus the District of Columbia, excluding** Puerto Rico and the Virgin Islands.

This warranty is effective only if the product is purchased and operated in the USA; product usage which is in violation of the written instructions provided with the unit will void this warranty.

For international warranty, please contact the local distributor.

**Any instruction or policy included in this manual may be subject to change at any time.

MAXI-MATIC, USA

18401 E. Arenth Ave. City of Industry, CA 91748

Customer Service Dept: (626) 912-9877 Ext: 120/107 MON-FRI 8am-5pm PST

Website: www.maxi-matic.com email: info@maxi-matic.com

RETURN INSTRUCTIONS

RETURNS:

A. Any return of defective merchandise to the manufacturer must be processed accordingly by first contacting customer service (contact information shown below) to obtain an RA # (Return Authorization Number). We will not accept any returns of merchandise without an applicable RA #.

B. IMPORTANT RETURN INSTRUCTIONS. Your Warranty depends on your following these instructions if you are returning the unit to Maxi-Matic USA:

1. Carefully pack the item in its original carton or other suitable box to avoid damage in shipping.
2. Before packing your unit for return, be sure to enclose:
 - a) Your name, full address with zip code, daytime telephone number, and RA#,
 - b) A dated sales receipt or PROOF OF PURCHASE,

- c) The model number of the unit and the problem you are having (Enclose in an envelope and tape directly to the unit before the box is sealed,) and
 - d) Any parts or accessories related to the problem.
3. Maxi-Matic USA recommends you ship the package U.P.S ground service for tracking purposes. We cannot assume responsibility for lost or damaged products returned to us during incoming shipment. For your protection, always carefully package the product for shipment and insure it with the carrier. C.O.D shipments cannot be accepted.
- 4. All return shipping charges must be prepaid by you.**
5. Mark the outside of your package:
MAXI-MATIC USA
18401 E. ARENTH AVE.
CITY OF INDUSTRY, CA 91748
6. Once your return has been received by our warehouse, Maxi-Matic USA will repair or replace the product if it is defective in material or workmanship, subject to the conditions in paragraph B.
- 7. Maxi-Matic will pay the shipping charges to ship the repaired or replacement product back to you.**