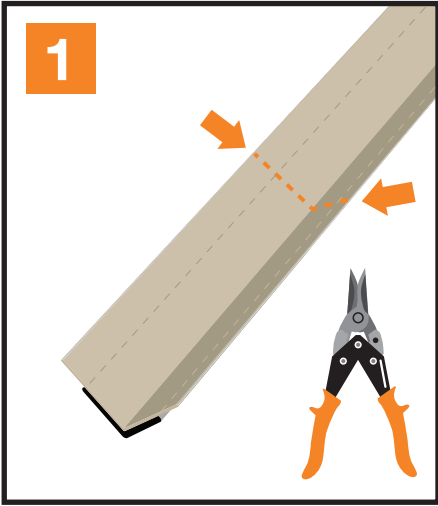


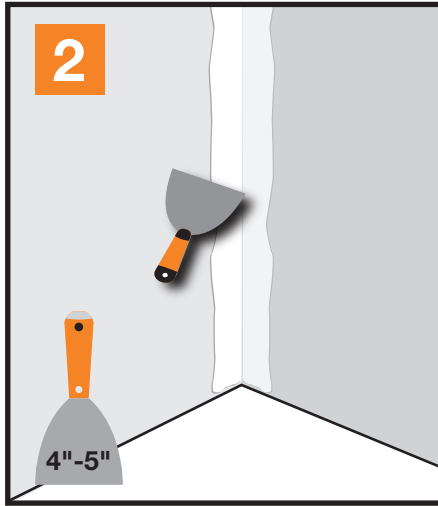
INSTALLATION GUIDELINES

PAPER-FACED INSIDE CORNER BEAD



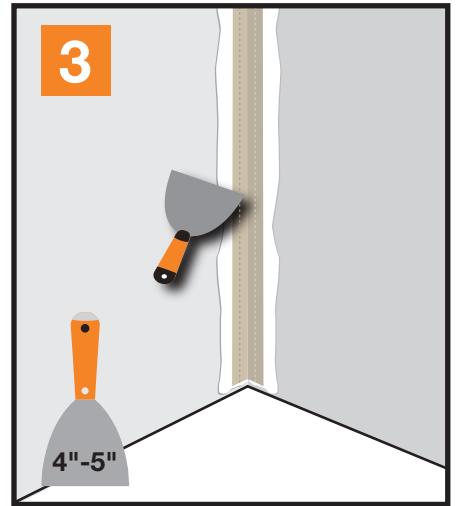
Measure & Cut

Measure 1/2 inch shorter than the floor to ceiling distance. Make two cuts toward the centerline, using tin snips. Use one continuous length, do not splice.



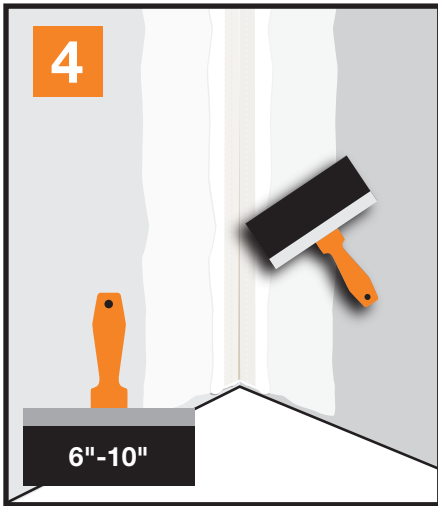
Apply Mud

Thin Joint Compound with water. Apply a generous, uniform layer 2" on both sides.



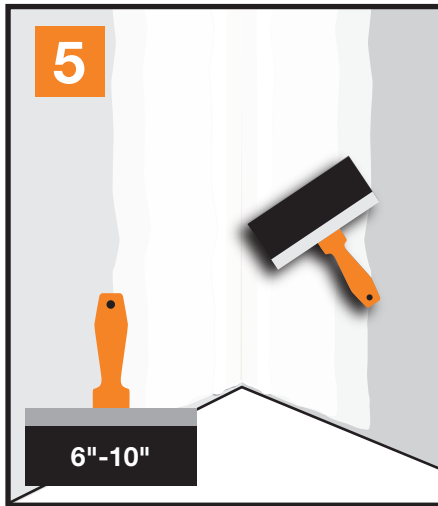
Set the bead

Using light, even pressure set the bead centered on the corner and tight to the ceiling. Smooth out any bubbles with a drywall knife.



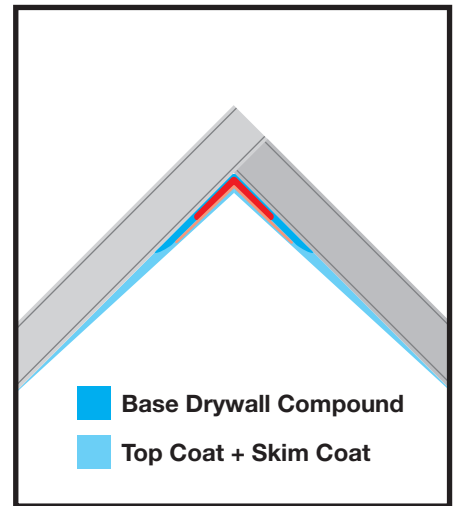
Top Coat Mud

Using a 6" - 10" drywall tapping knife, apply a top coat of drywall joint compound to each side. Feather the compound 8" - 10" from the corner. Allow to dry.



Skim Coat

Apply a thinner third coat of drywall joint compound to each side, feathered 10" - 12". Allow to dry.



Top View

Overlapping drywall sheets form the corner. The feathering of the drywall joint compound smoothly covers the nails & corner bead.