



# Technical Bulletin

2400 Boston Street, Suite 200, Baltimore, Maryland 21224  
Phone: 410-675-2100 or 800-543-3840

Revised: 2/14/12

## DAP® Latex Window Glazing

- For Face Glazing Wood, Metal and Aluminum Sash
- Forms an Airtight, Watertight Seal
- Resists Sagging, Cracking and Shrinking
- No Painting Needed
- Easy Water Clean-Up
- Easy-to-Use Spout
- Interior Exterior Use

**Packaging:** 10.1 fl. oz. (300 mL)  
**Color:** White  
**UPC Number:** 7079812049

### Company Identification:

**Manufacturer:** DAP Products Inc., 2400 Boston St., Ste. 200, Baltimore, Maryland 21224  
**Usage Information:** Call 1-888-DAP-TIPS or visit [dap.com](http://dap.com) & click on "Ask the Expert".  
**Order Information:** 800-327-3339  
**Fax Number:** 410-558-1068

### Product Description:

DAP® Latex Window Glazing is a ready-to-use glazing compound that may be used for face glazing single pane glass in wood, metal, or aluminum window frames. Its spout allows for smooth, easy application. DAP® Latex Glazing sticks tightly to glass and sash and resists sagging, cracking, shrinking and chalking

### Suggested Uses:

*For face glazing:*

- Wood window frames
- Metal window frames

**NOTE:** Do not use DAP® Latex Window Glazing on plastic windowpanes, porcelainized steel insulating panels, insulated glass units with an organic seal, stained or leaded glass, any windowpane over 48 inches in any run direction, any metal sash with rabbets over 1 wide, channel glazing or on any surface not prepared as set forth below.

### **Performance Characteristics:**

DAP® Latex Window Glazing can be applied directly from the container and needs no thinning or kneading.

- Resists sagging, cracking and chalking.
- Dries tack free in 2 hours.
- Cleans up with soap and water.

### **Surface Preparation, Application & Optional Painting:**

#### **Surface Preparation**

1. When re-glazing, remove from sash all old glazing compound, any glazier points and/or spring clips, glass, and any back bedding. Glass should be free from any residual glazing compound and back bedding prior to reinstallation.
2. All surfaces should be clean, dry and free of frost or any substance that would compromise adhesion of the glazing material (e.g., wax, oil, grease, rust inhibitors, silicone residue, etc.). Cut nozzle at 45° angle to desired bead size.
3. **For metal windows:** sash corners must be sealed. All sashes must be safely installed and adjusted prior to glazing and sufficiently rigid to permit normal operation without excessive bending or flexing. Adjustment of freshly glazed sash will disrupt the adhesive bond of the glazing material to the glass and sash.
4. For wood sash applications, prime sash with an oil-based primer only and allow primer to dry.

#### **Product Application**

*NOTE: Do not apply DAP® Latex Window Glazing when air or sash temperatures are below 40°F or above 90°F. Do not apply during damp or rainy weather or if rain is forecasted within 24 hours of application.*

1. Do not add any type of oil, pigment, thinners, solvents or additives to the glazing compound.
2. DAP® Latex Window Glazing must be applied to backstop of sash to provide back bedding where glass is to be set. Minimum thickness of back bedding is 1/8" throughout. Only DAP® Latex Window Glazing may be used for back bedding. There should be no metal frame-to-glass or wood frame-to-glass contact.
3. For back bedding of metal sash, use spacer shims at quarter points to maintain 1/8" minimum bedding thickness throughout.
4. Press glass firmly into place. If glass size is over 24" in horizontal dimension, use setting blocks at quarter points on bottom rail. For clear glass, maintain 1/4" minimum contact area between glass and compound throughout. For heat absorbing glass, 3/8" minimum contact area is required throughout.
5. Install glazier's points (wood window frames) or spring clips (metal window frames) at quarter points of windowpane to hold glass. Space points/clips no more than 18" apart for exterior glazed sash. For interior glazed sash, space them no more than 12" apart. Points/clips are necessary to hold the glass in place. The glazing compound should not be expected to perform this function.
6. Press only DAP® Latex Window glazing onto sash filling height and width of L-shaped recess completely.
7. Using the special angled nozzle on the cartridge, smooth glazing to an angle that sheds water. There should be no gaps, spaces or indentations. Then shape corners to a rounded finish only. Thickly glazed sections may require tooling with an appropriate knife
8. Remove excess glazing with a damp cloth before it sets

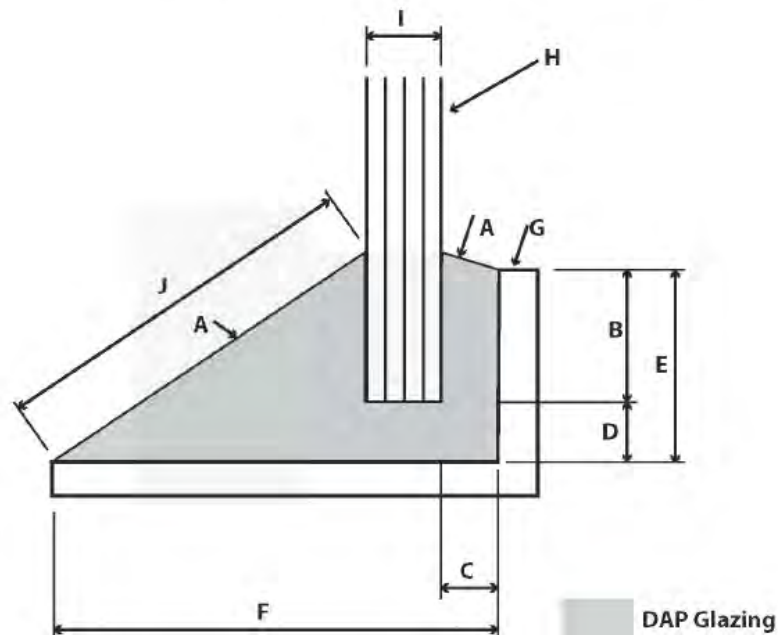
- If excess glazing needs to be removed after setting, such material must be cut, scraped away or otherwise mechanically removed.

### **Optional Product Painting**

- DAP<sup>®</sup> Latex Window Glazing does not require painting. However, if painting is desired, the glazing may be painted only after it has completely dried.
- When painting, use only (i) latex paint after 3 days or (ii) a high quality exterior grade oil-based paint after 1 week. The paint line must overlap onto the face portion of the glass, as well as the bedding area where the sash and glass meet. For thickly glazed sections, more time should be allowed for complete curing. Due to the excellent weatherability of the product, painting can be delayed.

*NOTE: The glazing compound may still feel soft after 3 days to 7 days. Accordingly, sash should be operated carefully for approximately three weeks on the average. Glazing may still be damaged if sash is handled carelessly. Full adhesion will develop within one to two months, depending on job conditions.*

**Illustration of Key Terminology Used in Face Glazing**



- A - Finish edge of glazing or sealing surface
- B - Bite (dimension by which the framing system overlaps the edge of the lite or glazing infill)
- C - Bed Thickness (minimum 1/8" required)
- D - Edge Clearance (the spacing between the edge of the lite & the bottom of the glazing pocket)
- E - Channel or Rabbet Depth
- F - Channel or Rabbet Width
- G - Fixed Stop (portion of the rabbet to receive glaze bedding & the edge of the lite or glazing infill)
- H - Lite (glass or panel)
- I - Lite Thickness
- J - Face Dimension

NOTE 1: Setting blocks may be required depending on size of glass.

NOTE 2: Spacer shims may be required depending on size of glass.

NOTE 3: Metal spring clips required for metal sash; glazier's points required for wood sash.

NOTE 4: Drawing is not to scale; for illustrative purposes only

### **Physical & Chemical Characteristics:**

Drying Time:	Approximately three to seven days depending on temperature, humidity and fill volume
Odor:	Slight
Consistency:	Paste
Vehicle:	Synthetic Polymer Latex
Volatile:	Water
Filler:	Inorganic Filler
Weight per Gallon:	15.2 ± .2 pounds
Solids:	88 ± 0.5% by weight
Temperature Service Range:	-20°F to 160°F
Temperature Application Range:	40°F (and rising) to 90°F (and falling)
Shelf Life:	12 months in an unopened container
Freezing:	Freeze/Thaw stable five cycles
Coverage:	
MSDS No.:	00010404001

### **Clean Up & Storage:**

Clean tools immediately after use with warm water. Dry material must be cut or scraped away. Be sure cartridge is closed and tightly sealed. Store in a cool, dry place.

### **Safety:**

See product label and Material Safety Data Sheet (MSDS) for safety information. You can request an MSDS by visiting our website at [dap.com](http://dap.com) or by calling 1-888-DAP-TIPS.

### **Limited Warranty:**

DAP warrants this product, when applied in accordance with the requirements and directions set forth in DAP's label and technical bulletin, to be free from defects in materials, but makes no warranty as to appearance or color. Since methods of application and construction and environmental conditions are beyond DAP's control and could affect performance, DAP makes no other warranties, express or implied, including warranties of MERCHANTABILITY and FITNESS FOR A PARTICULAR PURPOSE. With respect to this product, DAP's sole obligation shall be to replace, or to refund the purchase price for, the quantity of this product proved to be defective. DAP shall not be liable for any other losses or damages, including incidental or consequential damages. If a product defect is encountered, call DAP Products Inc., Technical Customer Service, at 888-DAP-TIPS for further information.