

RFG293HARS

29 cu. ft. French Door Refrigerator with Internal Filtered Ice Dispenser

Features

- Large Capacity – 29 cu. ft.
- Automatic Ice Maker in Freezer
- LED Lighting
- Twin Cooling Plus System®
- Surround Air Flow
- Power Freeze and Power Cool Options
- CoolSelect Pantry™ with Temperature Control
- Two Humidity-Controlled Crispers
- Tempered Glass Spill-Proof Shelves
- Gallon Door Bins
- EZ-Open Handle™ on Freezer Door
- Auto Pull-Out Upper Freezer Drawer

Convenience

- CoolTight Door
- Door Alarm
- Water Filter Indicator
- Pizza Pocket
- Wine Rack



ENERGY STAR® rated:
492 kWh/yr



French Door Design



Ice Maker in Freezer

Available Colors



Stainless Steel
(shown)



White



Black

Signature Features

TWIN COOLING PLUS®

- Refrigerator air is kept at higher, near-commercial grade humidity levels to keep perishable fruits and vegetables fresher longer.
- Drier freezer air means less freezer burn for better-tasting frozen foods.

LED LIGHTING

- Beautifully lights up the interior so you're able to quickly spot what you want.
- Sleek design saves more space than traditional incandescent light bulbs.

COOLSELECT PANTRY™

Provides additional temperature control for your food storage needs with Quick Cool, Thaw and Soft Freeze, Chill Mode, and Cool Mode options.



Ranked **"Highest in Customer Satisfaction with Refrigerators"**
by J.D. Power and Associates.

SAMSUNG

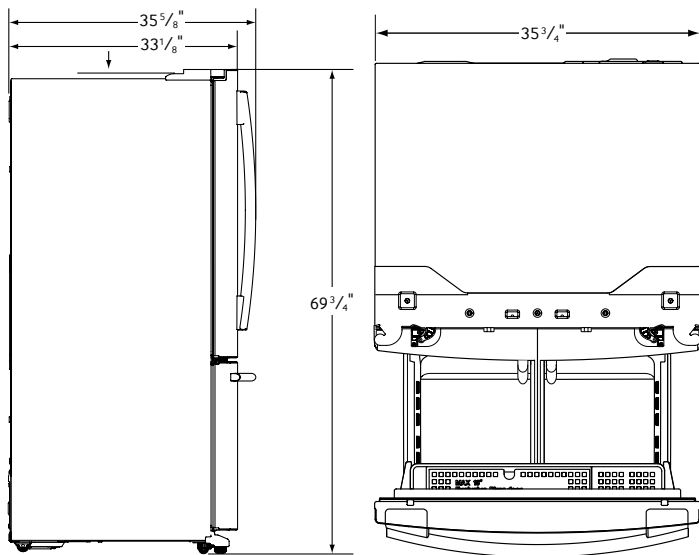
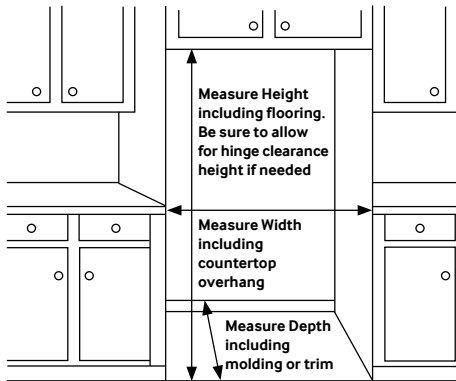
RFG293HARS

29 cu. ft. French Door Refrigerator with Internal Filtered Ice Dispenser

Installing Your Refrigerator

1. Measure the height, width and depth of the opening, making sure to include baseboards, molding tile, countertop overhang, etc. Check to be sure there is enough room to open the door (consider walls, islands or other obstacles when measuring).
2. Refer to chart B below to determine dimensions.
3. Allow 2" of clearance on hinge side of refrigerator when installing next to a wall where handle may make contact.
4. Allow 1" minimum clearance at rear for proper air circulation and water/electrical connections. Allow a 3/8" minimum clearance at sides and top for ease of installation.
5. Ensure each door and entry way in the home is wide enough for the refrigerator to be moved through easily.

Please note: The following dimension and cutout information is for planning purposes only. For complete installation details consult manual packed with product, or download manual on-line at samsung.com.



Total Capacity: 29 cu. ft.

Refrigerator: 19.8 cu. ft.

- Surround Air Flow
- CoolSelect Pantry™ with Temperature Control
- 2 Humidity-Controlled Crispers
- 5 Tempered Glass Spill-Proof Shelves
- 6 Door Bins
- 1 Dairy Bin
- LED Lighting

Freezer: 8.7 cu. ft.

- Ice Maker (Cubed)
- Auto Pull-Out Drawer
- 1 Large Bottom Freezer Bin with Divider
- EZ-Open Handle™
- Pizza Pocket
- LED Lighting

Accessories

Water Filter

Warranty

One (1) Year All Parts and Labor

Five (5) Years Sealed System Parts and Labor

Product Dimensions & Weight

Dimensions (WxHxD with hinges, handles and doors):

35³/₄" x 69³/₄" x 35⁵/₈"

Dimensions (WxHxD without hinges and door):

35³/₄" x 68¹/₂" x 29¹/₄"

Dimensions (WxHxD with hinge and door, no handle):

35³/₄" x 69³/₄" x 33¹/₈"

Weight: 308.6 lbs.

Shipping Dimensions & Weight (WxHxD)

Dimensions: 38¹/₂" x 75³/₄" x 39¹/₂"

Weight: 364 lbs.

Color	Model #	UPC Code
Stainless Steel	RFG293HARS	036725569676
White	RFG293HAWP	036725569645
Black	RFG293HABP	036725569652

SAMSUNG

Samsung received the highest numerical score for refrigerators in the proprietary J.D. Power and Associates 2012 Kitchen Appliance Study.SM Study based on 12,615 total responses measuring 17 brands and measures opinions of consumers about their refrigerator obtained new in the past 24 months. Proprietary study results are based on experiences and perceptions of consumers surveyed in January-February 2012. Your experiences may vary. Visit jdpower.com.

Actual color may vary. Design, specifications, and color availability are subject to change without notice.

Non-metric weights and measurements are approximate.

©2013 Samsung Electronics America, Inc. 85 Challenger Road, Ridgefield Park, NJ 07660. Tel: 800-SAMSUNG. samsung.com.

Samsung is a registered trademark of Samsung Electronics Co. Ltd.