

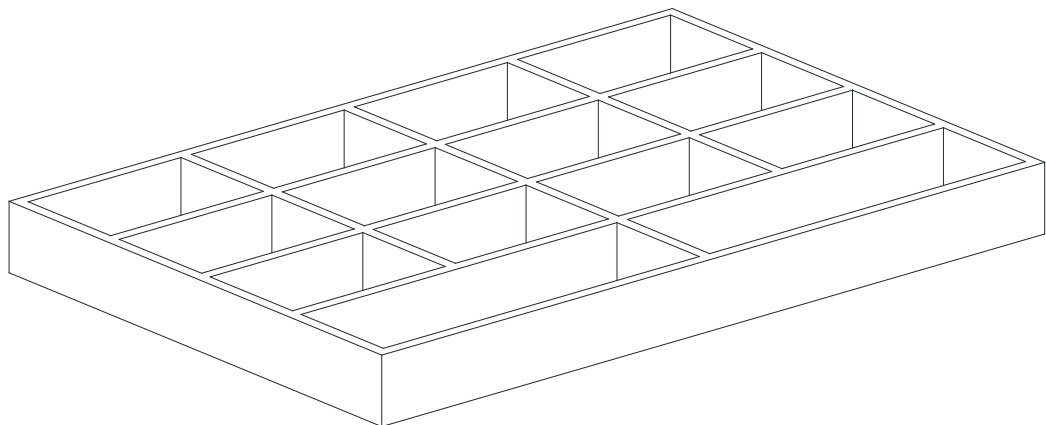
HOME DECORATORS COLLECTION

MARTHA STEWART LIVING CLOSET SMALL CABINET &
JEWELRY TRAY JEWELRY TRAY GREY
Assembly Instructions

HDC #:2944805270
MFG #:WSMSL-JTN

Please read over the instructions; it will be a
time-saver in the long run.

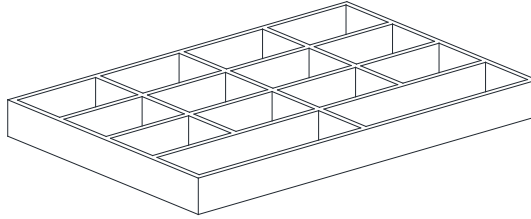
Note: Before Assembly, please be sure to work on a soft flat
surface to avoid any damage to the finish.



THIS INSTRUCTION BOOKLET CONTAINS **IMPORTANT** SAFETY INFORMATION.
PLEASE READ AND KEEP FOR FUTURE REFERENCE.

Parts List

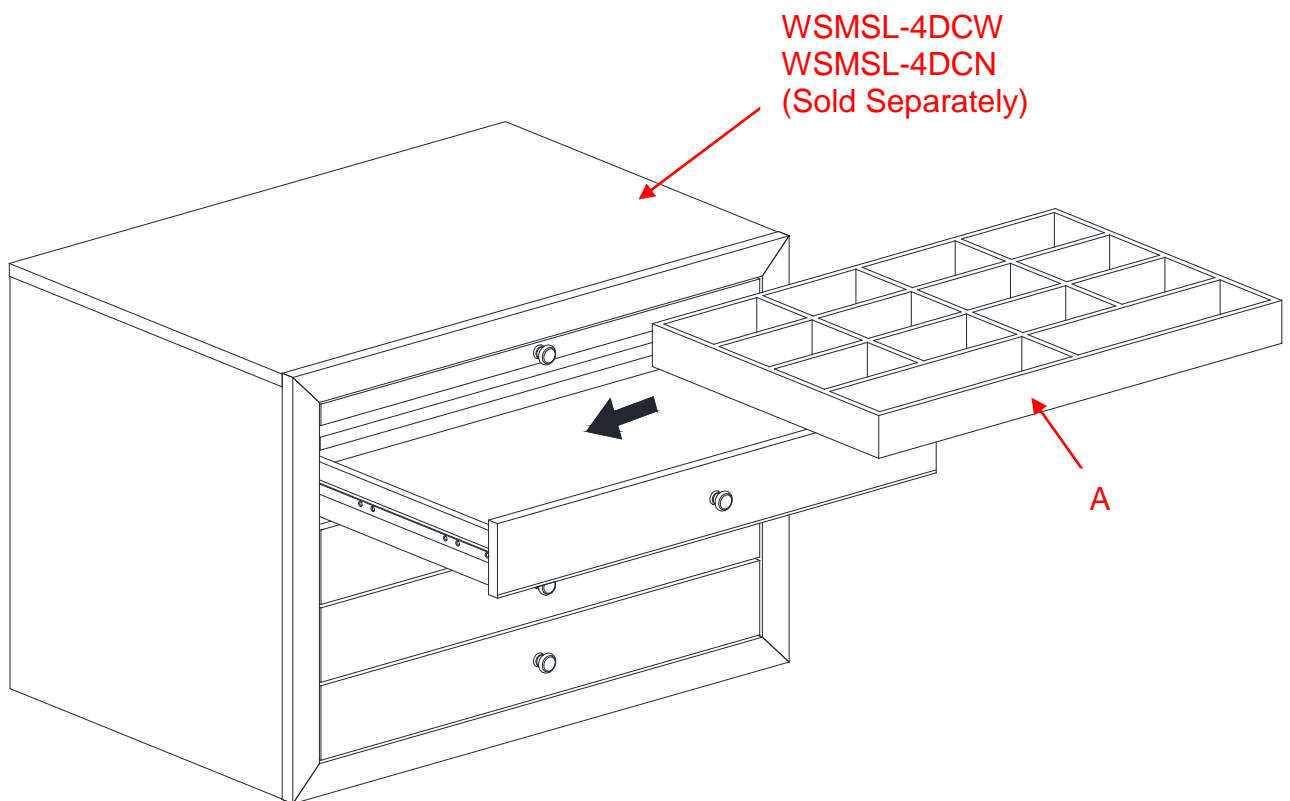
Please read completely through the instructions and verify that all parts listed are present before beginning assembly.



A- Jewelry Tray (x 1)

Assembly Instructions

1. Unpack the unit and confirm that you have all the hardware and required parts. Assemble the unit on a carpeted floor or the empty carton to avoid any scratch.
2. Tilt and install Jewelry Tray (A) into the small drawer of the cabinet.



Care and Maintenance

- Use a soft, clean cloth that will not scratch the surface when dusting.
- Use of furniture polishes is not necessary. Should you choose to use polishes, test in an inconspicuous area first.
- Using solvents of any kind on your furniture may damage the finish.
- Never use water to clean your furniture as it may cause damage to the finish.
- Always use coasters under beverage glasses and flowerpots.
- Liquid spills should be removed immediately. Using a soft clean cloth, blot the spill gently. Avoid rubbing.
- Always use protective pads under hot dishes and plates. Heat can cause chemical changes that may create spotting within the furniture finish.
- Stains or marks from crayons or ink markers will be difficult to remove.
- In the event that your furniture is stained or otherwise damaged during use, we recommend that you call a professional to repair your furniture.
- Check bolts/screws periodically and tighten them if necessary.

Further advice about wood furniture care

It is best to keep your furniture in a climate controlled environment. Extreme temperature and humidity changes can cause fading, warping, shrinking and splitting of wood. It is advised to keep furniture away from direct sunlight as may damage the finish.

Proper care and cleaning at home will extend the life of your purchase. Follow the important and helpful tips that will enhance your furniture as it ages.

We hope you enjoy your purchase for many years.

Thank you for your purchase.