

installation instructions:

# Faux Wood Beams

## Safety Instructions

Make sure to use the correct tools recommended.

Wear proper protective gear.

Follow fixture, power tools, paint manufacturers' instructions, and users manuals.

Use common sense and follow good construction practices.

### TOOL & MATERIAL CHECKLIST

- 2 x 4 (For Blocking)
- Construction Adhesive
- Power Drill
- Saw
- Chalk Line
- Finishing Nails
- Screws
- Caulk or Wood Filler
- Stud Finder
- Tape Measure

### STEP BY STEP INSTRUCTIONS

1. Measure inside width of the beam and cut wood blocking to inside width dimensions. (Diagram A)
2. Determine where the beams will be installed. If installing multiple beams determine your spacing.
3. Once you have determined installation points and spacing, mark the center points along both sides of the wall. Using a chalk line connect the marks.

**Note:** If the studs or joists do not align with the wood blocking it is recommended that you use molly bolts or toggle bolts to secure wood blocking.

4. 2 feet from the wall attach wood blocking using your center line. Then install blocking every 3-6 feet. With a pencil or tape mark where the blocking is installed. (Diagram B)
5. Measure each installation point before cutting to account for variances in the wall. It is also recommended that the beams be cut a little long so they fit snugly and can be adjusted after dry fitting.
6. Dry fit each beam without adhesive and make adjustments to the beam length if needed.
7. After dry fitting and length adjustment apply construction adhesive to the outside of the blocking and tops of the beam. Press firmly in place.
8. Use finishing nails or screws to fasten the beam to the blocking. (Diagram C) Screws will need to be countersunk, covered with wood filler, and painted for a finished look.
9. Clean off excess adhesive and if needed, apply caulk where the beam and wall meet.

### SPECIAL INSTRUCTIONS & NOTES

- Thoroughly read through the installation instructions to familiarize yourself with the process before beginning installation.
- It is recommended that wood blocking be installed every 3-6 feet.
- If studs or joists do not align with the wood blocking it is recommended that you use molly bolts or toggle bolts to secure wood blocking to ceiling
- Before installation acclimate the beams to the room for at least 24 hours

### EXAMPLE INSTALLATION DIAGRAMS

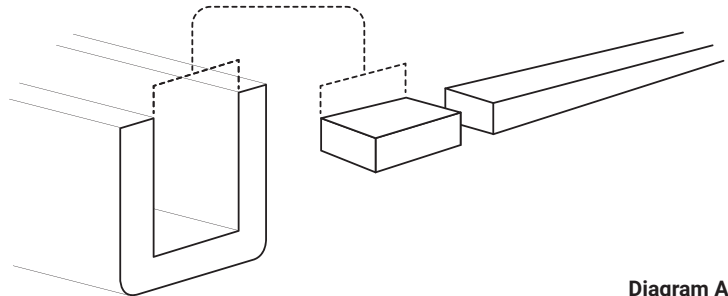


Diagram A

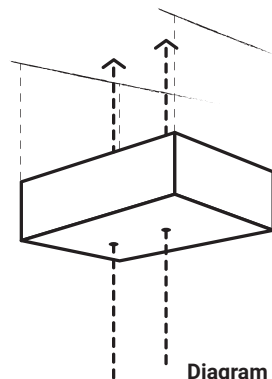


Diagram B

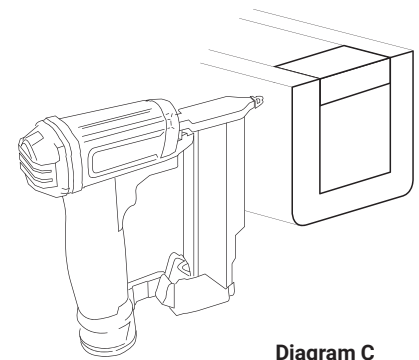


Diagram C