

Decking Installation & Maintenance Guide



Installing TimberTech Decking	2
Fastening Methods.....	4
TimberTech Solid Planks.....	5
Trimming a TimberTech Deck.....	6
CONCEALoc® Hidden Fasteners	7
Cortex® Hidden Fastening System.....	10
Care and Cleaning	12
Warranty.....	13
Notes	14

TimberTech Covers the Alternative Decking and Railing Market

To get information on other TimberTech products, visit timbertech.com or ask your dealer for these installation guides:

- **TimberTech Railing & DeckLites® Installation & Maintenance Guide**

These installation guidelines will direct you through the process of installing TimberTech products. Most installers will find this process similar to the installation of a wood deck. However, there may be areas that differ from what you are used to. These installation methods are recommended by TimberTech, but they may not cover every installation scenario you may encounter. Since each installation is unique in its performance requirements, the ultimate installation method used is the sole responsibility of the installer. TimberTech recommends that all designs be reviewed by a licensed architect, engineer or local building official before installation. Make sure your plans meet local building codes before you begin the installation. **Failure to install TimberTech products in accordance with applicable building codes and this Installation Guide may lead to personal injury, affect deck system performance and void the product warranty.**

Tools Required

TimberTech planks can be installed with a minimum number of readily available tools. However, many other tools are available that can provide even greater efficiency and ease of installation. All tools should be used per applicable manufacturers' instructions. Some of the basic tool requirements:

- **Cordless Driver**
- **Chalk Line**
- **Tape Measure**
- **Jig Saw**
- **Carpenter Square**
- **Spacing Tools**
- **Circular Saw**
- **Safety Glasses**

Use the jigsaw to cut around obstructions such as posts. A power miter saw can also be very helpful during installation. For a power miter or compound power miter saw a fine finish alternate top bevel blade is also recommended. When working with TimberTech products be sure to wear proper clothing and safety equipment. Safety glasses should be used during the entire installation process.



STOP! Read this section before you start!

Walking Surface

TimberTech planks are intended to be installed embossed side up. The unembossed surface is not to be used as a walking surface. This applies to all TimberTech planks.

Directional Notch

TimberTech's surface on TwinFinish, ReliaBoard, Earthwood Evolutions, DockSider, TwinFascia and TwinRiser boards are directional in manner. A notch has been added to one side of the planks. When installing planks, this marked edge must be laid to the same side for the entire installation for a consistent appearance. Similarly, TimberTech's TwinFascia board and TwinRiser have one long beveled edge on the front and back. To ensure a consistent appearance from board to board, the beveled edge must be laid to same side. If you rip a piece, be sure to note the location of the bevel. See individual plank installation instructions.

Static Electricity

The buildup or generation of static electricity is a naturally occurring phenomenon in many plastic based products such as carpeting, upholstery, and clothing, and can occur on alternative decking under certain environmental conditions.

Cantilevering

Earthwood Evolutions, TwinFinish, ReliaBoard, and DockSider can be cantilevered a maximum of 1". ReliaBoard and Earthwood Evolutions Terrain can only be cantilevered on the ends.

Safety

TimberTech offers products that meet the American with Disabilities Act (ADA) guidelines for slip-resistant walking surfaces and unlike traditional wood, TimberTech is splinter-free.

Color and Grain Patterns

Our wood-plastic composite deck boards are designed to mimic the look of real wood, and like real wood, there will be a slight difference in color and grain pattern from board to board. This is intentional and part of the manufacturing process, giving TimberTech wood-plastic composite decking the most realistic and wood-like appearance possible. This variation is purely aesthetic and does not or will not affect the performance of the product. Our deck boards are designed to naturally weather over time and the surface pattern will weather to a consistent color. Most of the weathering process will be complete within the first year of the deck's life.

Note

TimberTech is NOT intended for use as columns, support posts, beams, joist stringers or other primary load-bearing members. TimberTech must be supported by a code-compliant substructure. While TimberTech products are great for deck re-planking (removing old deck surface planks and installing TimberTech on code-compliant substructure), TimberTech planks CANNOT be installed on top of existing deck planks.

Routing

TimberTech TwinFinish and DockSider may be routed for accents such as adding an edge radius. Earthwood Evolutions SHOULD NOT be routed aside from routing a 2" wide groove in the side of solid planks for start/stop of CONCEALoc.

For most current care and cleaning, technical information and more, visit www.timbertech.com.

Extreme Heat Warning

Be aware of excessive heat on the surface of TimberTech products from external sources, such as but not limited to, fire or reflection of sunlight from energy-efficient window products. Low-emissivity (Low-E) glass can potentially harm TimberTech products. Low-E glass is designed to prevent passive heat gain within a structure and can cause unusual heat build-up on exterior surfaces. This extreme elevation of surface temperatures, which exceeds that of normal exposure, can possibly cause TimberTech products to melt, sag, warp, discolor, increase expansion/contraction, and accelerate weathering.

Current or potential TimberTech customers that have concerns about possible damage by Low-E glass should contact the manufacturer of the product which contains Low-E glass for a solution to reduce or eliminate the effects of reflected sunlight.

Excessive Construction Debris

It is important during construction, the deck's surface stay clear from excessive build-up of dirt, sand, and dust from tile, concrete, landscape blocks, or any other masonry products. If these materials are not removed immediately, the deck surface will become difficult to clean and can potentially damage the deck's surface finish.

If a build-up does occur please refer to the Care and Cleaning section in TimberTech's installation guide or website, www.TimberTech.com.

Calculating Material Requirements

To determine how much TimberTech decking material you will need, start by calculating the square footage of your deck surface by multiplying length by width. Once you know this number, divide it by the numbers provided below for 12' planks, 16' planks and 20' planks.

Once you know the square footage number, divide it by 5.5 for 12' planks, 7.3 for 16' planks and 9.1 for 20' planks.

When calculating the amount of decking you will need, it is recommended that you add roughly 10% to the total for a scrap factor.

Example: Length x Width = Total Square Footage

Square Footage ÷ by 5.5 (12'), 7.3 (16') or 9.1 (20') = Planks Needed (Round the number up)

Planks Needed + 10% (Scrap Factor) = Final Number of Planks Needed (Round the number up)



Working With TimberTech Planks

Expansion and Contraction

TimberTech deck planks will experience expansion and contraction with changes in temperature. Expansion and contraction are most significant where extreme temperature changes occur. Fastening the deck planks according to the gapping requirements noted in the following table accommodates for this movement.

Changes in length are most significant during the installation process, and should be accounted for if working in extreme temperatures. A good example would be cutting your planks during a hot afternoon, letting them sit outside overnight in the cool air and then installing them the next morning. Chances are, you will notice a certain amount of contraction. The best way to minimize this problem is to fasten your planks as soon after cutting as possible.

Gapping Requirements For All TimberTech Planks

- Side-to-side plank gapping must be minimum 1/8" to maximum 3/16".
- For California fire requirements, please refer to page 15.
- Allow 3/16" minimum gap where the planking meets any adjoining structure or post.
- Follow these butt joint gapping guidelines for all TimberTech planks:

Butt Joint Gapping Requirements

32° F and below	33° F to 74° F	75° F and above
3/16" gap	1/8" gap	1/32" gap

Access Installation Resources 24/7.

Installation guides and videos are available on our web site at www.timbertech.com/installation.

Do you need help with your installation?

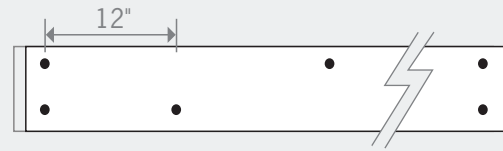
We have an excellent customer service team that is here to help you with your installation questions. If you need help you can call customer service at 1-800-307-7780 or visit www.timbertech.com/installation to view TimberTech installation videos.

TimberTech Fascia Boards

Using screws with proper installation of TimberTech Fascia provides the best long-term holding. TimberTech recommends the use of TimberTech TOPLoc Fascia Fasteners for best results. Refer to gapping requirements on page 3 for proper installation.

For Use with TOPloc Fascia Fasteners:

Using the TOPLoc Fascia Bit, pre-drill 2" from the top and bottom alternating a maximum of 12". It is recommended that screws are evenly spaced for the best look.



- Set fascia in place being sure to follow proper gapping requirements.
- Drive TOPLoc fascia fastener 90 degrees with the fascia surface so that the screw head is flush with the surface. Do not completely torque down screw; screw should serve as a hanging mechanism to allow for expansion and contraction in the fascia.
- Continue fastening in pattern described being sure to work left to right or right to left. This will ensure flatness in the fascia.

TimberTech Solid Planks

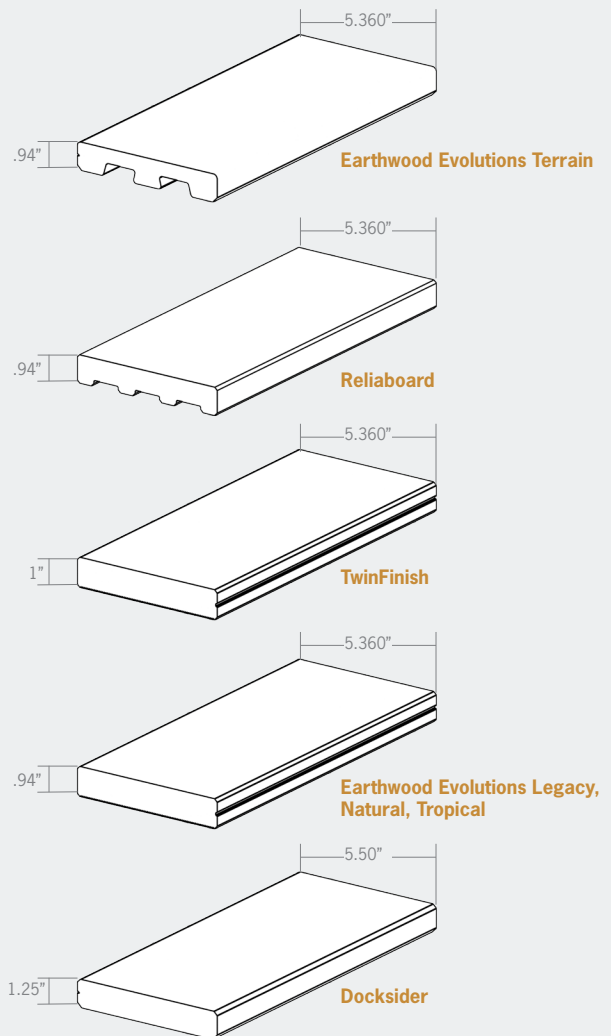
TimberTech recommends the use of TimberTech TopLoc Face Fasteners for solid plank installations. Pre-drilling is required when within 1-1/2" of the ends of the plank and for temperatures below 45 degrees Fahrenheit to avoid splitting and screw shear. Alternate fasteners are stainless steel or high-quality coated composite deck screws.*

Earthwood Evolutions, TwinFinish, and ReliaBoard Plank: Use TOPLoc Face Fasteners or a minimum #8 x 2-1/2" stainless steel or other high-quality coated composite deck screws.*
DockSider: Use TOPLoc Stainless Steel or a minimum #8 x 3" stainless steel or high-quality coated deck screws.*

Fastener Mushrooming:

This may occur when a non-composite deck screw is driven into the decking. It can be greatly reduced or eliminated by using a screw designed for composite lumber. If mushrooming occurs, lightly tap the material back into the hole of all planks, except Earthwood Evolutions. When installing Earthwood Evolutions, using TOPLoc reduces chance of mushrooming. If using alternative fasteners or other composite screws, we recommend pre-dimpling the plank by drilling a hole slightly smaller in diameter than the screw head and as deep as the screw head before driving

TimberTech does not recommend any fastener that is not explicitly stated in the TimberTech Decking Installation Guide. Use of any alternative fastener does not void the TimberTech warranty; however, if a decking failure is caused by using one of these alternative fastening methods, any corresponding claims will be denied.



Fasteners should be installed perpendicular to the deck surface and driven flush; do not overdrive or splitting may occur. Always double joists at butt seams. Do not toe screw deck planks as this will cause splitting.

Important Information

To get information on other TimberTech products, visit timbertech.com or ask your dealer for these installation guides:

- TimberTech planks are intended to be installed embossed side up. The unembossed surface is not to be used as a walking surface. This applies to all decking surfaces.
- The serrated bottom side of TwinFinish is great for accents like benches and flower boxes.
- In areas with obstructed airflow such as roofs and on-grade applications, a minimum of 1-1/2" sleeper system supported by and connected to the substructure over which the deck is built is required.
- To aid water run-off, the deck should slope 1/2" for every 8' away from the house.

Standard Joist Spacing

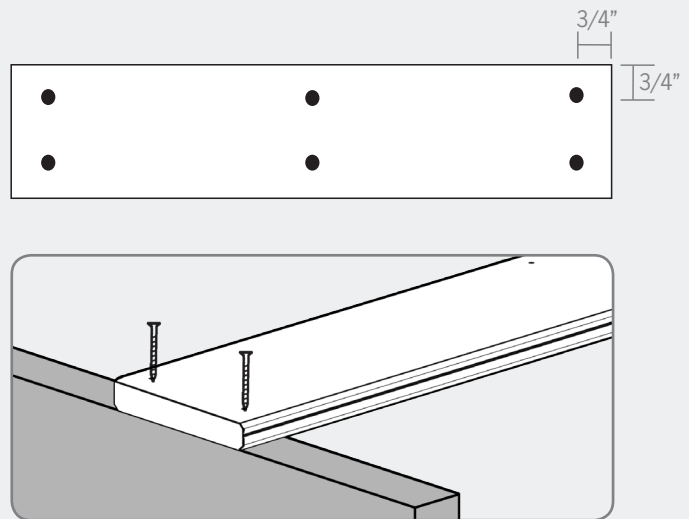
TwinFinish			
	90° Angle	30° Angle	45° Angle
100psf	20"	18"	16"
ReliaBoard, Earthwood Evolutions, EE Terrain, EE Legacy			
100psf	16"	14"	12"
DockSider			
	90° Angle	30° Angle	45° Angle
100psf	24"	24"	24"

Special conditions will require an engineering inspection and/or reduced spans. Always consult local building codes.

Solid Plank Installation Instructions

- Install from the outside edge of the deck and work toward the house.
- Fasten 3/4" from the outside edge of each plank, using two screws per joist including end joints.
- For gapping requirements, see page 3.
- The ends of the planks must fall on a joist. Always double joists at butt seams. Do not toe screw deck planks as this will cause splitting.
- Always install fasteners perpendicular to plank surface and drive flush. Do not overdrive or splitting and mushrooming may occur.
- Pre-drilling is required when within 1-1/2" of the ends of the plank and for temperatures below 45 degrees Fahrenheit to avoid end splitting and screw shear.

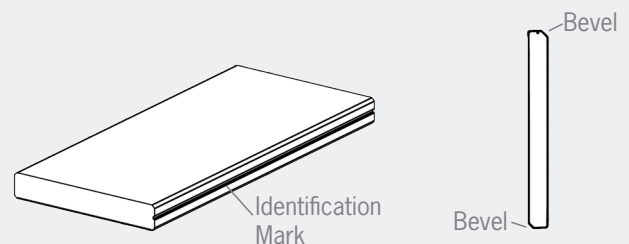
TOPLoc Face Fasteners are recommended for best results. Further instructions available in TOPLoc Package.



Directional Notch

TwinFinish, ReliaBoard, DockSider, Earthwood Evolutions, TwinFascia and TwinRiser Boards:

Some TimberTech product surfaces are directional in manner. A notch has been added to one side of the planks. When installing planks, this marked edge must be laid to the same side for the entire installation for a consistent appearance. The TwinFascia board has one long edge beveled on the front and back. To ensure a consistent appearance from board to board when installing the TwinFascia, the beveled edge must be laid to the same side. If you rip a piece of TwinFascia be sure to note the location of the bevel on the ripped piece to ensure consistency.



Stair Installation

TwinFinish, ReliaBoard, DockSider, Earthwood Evolutions, and TwinRiser Boards:

TimberTech does not recommend installing planks on steps without a riser board.

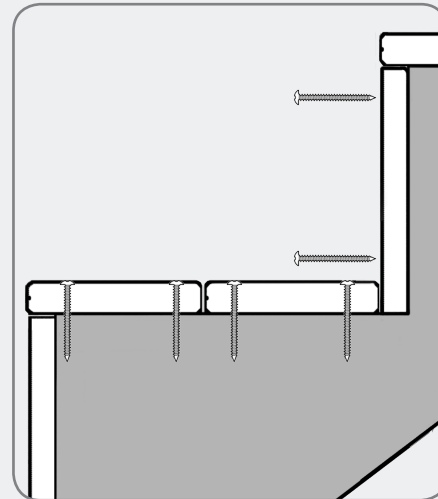
- Stairs should be constructed per local code requirements.
- Ensure the stringer step is at least the depth of two full planks plus a 1/8" to 3/16" gap between planks.
- For gapping requirements, see page 3.
- Ensure there is at least one stringer for support in the middle of the stair span.

TimberTech Stair Stringer Spacing Chart

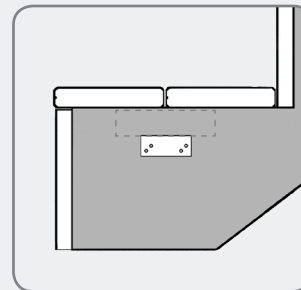
Board	Maximum Spacing
DockSider	21"
TwinFinish	12"
Earthwood Evolutions Legacy, Tropical & Natural Collections	12"
ReliaBoard	9"
Earthwood Evolutions Terrain Collection	16" When used as a veneer

- Place the TwinRiser board directly on top of the last plank installed for the previous step to create the next step. Repeat the process above.

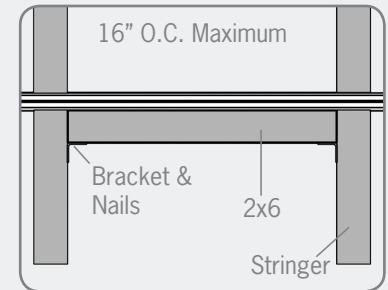
! Earthwood Evolutions Terrain must be used as a veneer in a stair tread application. Please see figure to the right.



General Stair Installation



Earthwood Evolutions Terrain



Front View

Earthwood Evolutions Terrain Stair Components

Stringer	2x8 Stringer
Bracket	1.5"x2.0" Simpson Strong Tie A232 Galvanized Connecting Angles
Bracket Nails	1-1/2" Simpson Strong-Tie N10D5HDG (0.150 in diameter, 0.315 in head diameter) galvanized nails

Trimming a TimberTech Deck

TimberTech Fascia Boards:

TwinFascia®

- Cedar, Grey, and Redwood.
- All colors available in two surface choices.
- 12' lengths – 9/16" thick by 12" wide.

Earthwood Evolutions® Fascia

- Brick, Brownstone, Slate, Pacific Rosewood, Pacific Teak, Pacific, Walnut, Silver Maple, Brown Oak, Tiger Wood, Mocha, and Pecan.
- 12' lengths – 9/16" thick by 12" wide.

TimberTech Stair Risers

- Use as a riser for stairs.
- Can also be used as a fascia board for a 2x8 rim joist.
- Fasten the same as TwinFascia. See fastening guidelines on page 4.
- 12' lengths and 9/16" thick x 7-1/4" wide.

TwinRiser®

- Cedar, Grey, and Redwood.

Earthwood Evolutions® Riser

- Brick, Brownstone, Slate, Pacific Rosewood, Pacific Teak, Pacific Walnut, Mocha, Pecan, and Tigerwood.

Important Information

CONCEALoc Hidden Fasteners were designed exclusively to install TimberTech grooved and square shouldered planks.



IMPORTANT! Read all instructions carefully and completely to ensure proper installation.

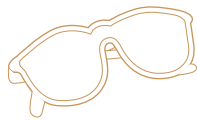
- In areas with obstructed airflow such as roofs and on-grade applications, a minimum of 1-1/2" is required.
- Sleeper system must be supported by and connected to the substructure over which the deck is built.

CONCEALoc Accessories

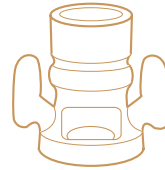
- 1,000-square-foot coverage. Includes stainless steel screws.
- CONCEALoc Gun Pail – 500-square-foot coverage for use with the fastener installation gun sold separately by TigerClaw. Includes quality coated pneumatic fasteners. Stainless steel fasteners for coastal applications available through TigerClaw.
- L-Bracket – avoid face-screwing by using the L-Bracket on first and last boards or as a butt seam clip to ensure a fastener-free surface.
- CONCEALoc Router Bit – cut a 2" wide groove on a solid plank for a perfect CONCEALoc fastener fit – even allows for cutting an installed plank over a joist.
- CONCEALoc screw packs available through www.timbertechstore.com.
- If using the CONCEALoc Gun Pail with the TigerClaw Installation Gun please refer to the retail packaging for further installation guidelines.

CONCEALoc Hidden Fastener Installation Instructions

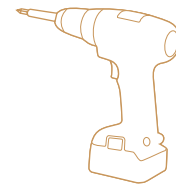
TOOLS NEEDED



Safety Glasses



Router with Slot Cutting Blade (Optional)

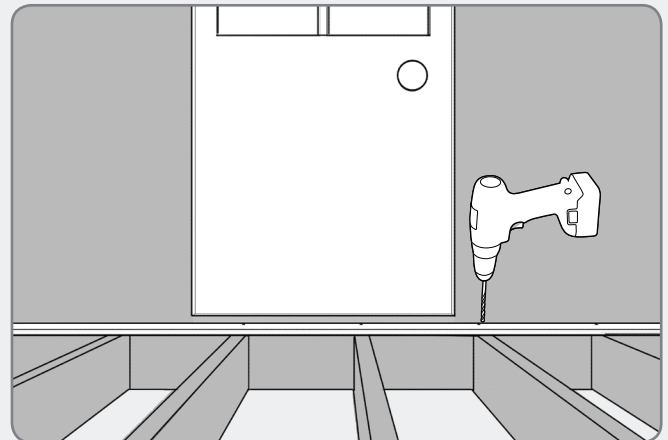


Drill

1

INSTALL THE FIRST PLANK

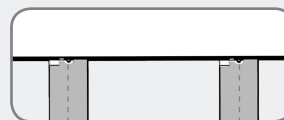
- Pre-drill with 5/32" drill bit and fasten outer edge of the first plank at each framing support 1" from the edge using TOPLoc or a #8 x 2-1/2" stainless steel or other high-quality coated deck screws. For a complete fastener-free surface, the L-Bracket or Cortex can be used on first and last boards.
- For further instructions for the L-Bracket or Cortex, please refer to the instructions in the package.



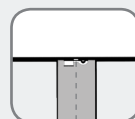
2

POSITION CONCEALoc FASTENERS

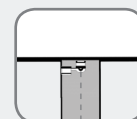
- Fully insert the CONCEALoc fastener into grooved edge of plank. Screw hole should be lined up with the center of support joist.



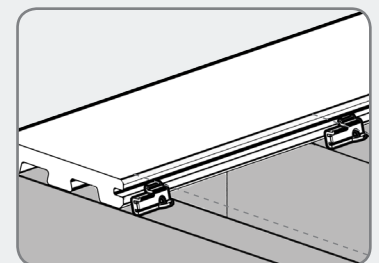
Correct



X Incorrect



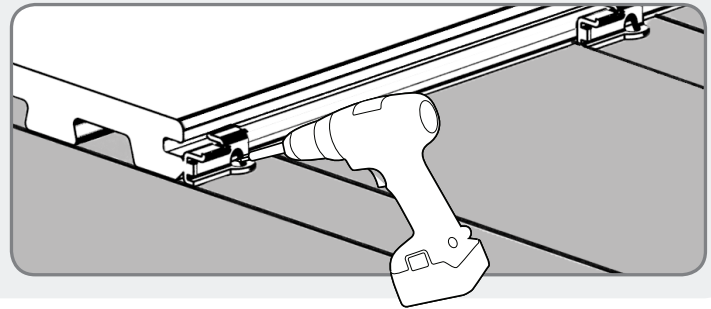
X Incorrect



Correct

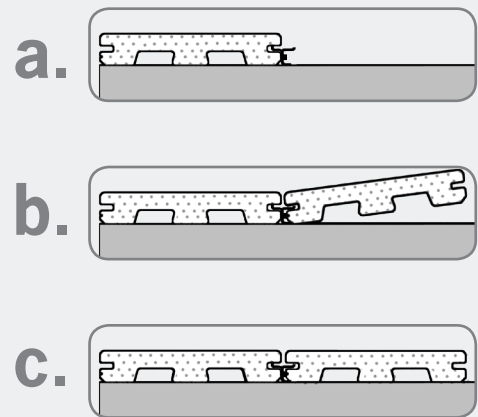
3 INSTALL CONCEALoc FASTENERS

- Install provided screw at 45° angle through the fastener and into the joist while applying pressure on the fastener.
- Install one fastener and screw at each joist.
- Make sure fastener is in full contact with edge of plank and the screw is holding the fastener down tight to the deck board.



4 COMPLETE INSTALLATION

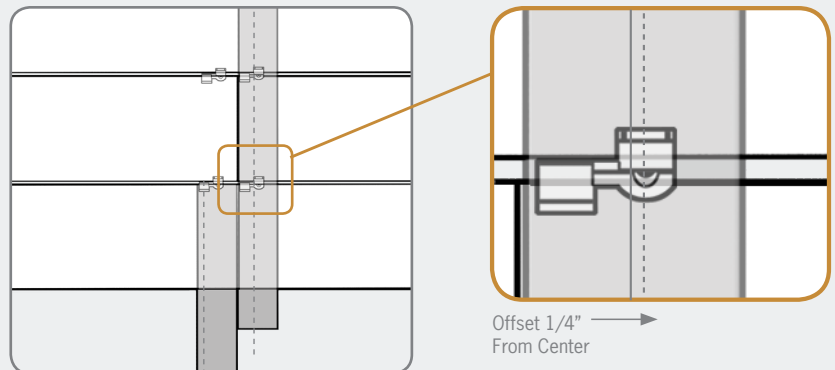
- Place the next plank into position against the fasteners. Slightly raise the outer edge of the plank being installed and slide it onto the fastener until the plank contacts the spacer tab. When properly installed the inserted plank should be in contact with the bent-forward spacer tab at the left end of the clip. To achieve this use a scrap piece of decking at least 24" in length and use it as a tamping block to drive the plank further onto the clip and the screw will fully engage the plank to the spacer tab if not already in contact. Do not use a hammer or damage to the edge of the plank may occur.
- The last plank will need to have the outside edge attached using the method described in Step #1. It may be necessary to rip the last plank to fit.



5 HOW TO INSTALL AT BUTT JOINTS (UNLESS USING TIMBERTECH L-BRACKET)

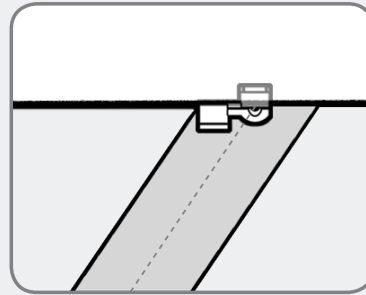
! Joists at butt joints must be doubled up for proper fastener attachment.

- Install fasteners as detailed below. Note that the two clips on the right are shifted approximately 1/4" to the right of center on the joists. If this is not done the spacer tab may fall within the gap of the butt joint.

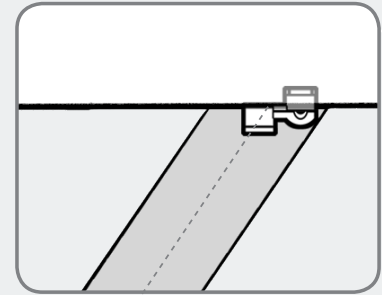


6 HOW TO: INSTALL ON DIAGONAL

- When the deck is located in a corner of the house, start with small triangular piece of decking in the corner and work your way out.
- Offset the center 1/2" towards the long point of the joist, so screw will not exit the side of the joist when driven.



✗ Incorrect



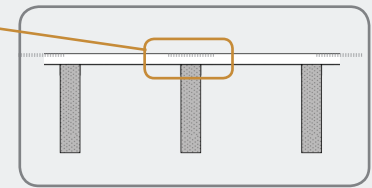
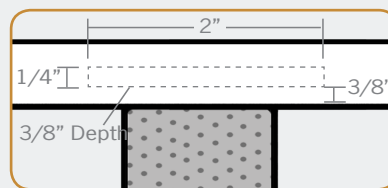
Correct: Shift over 1/2"

7 HOW TO: REPLACE A PLANK

- Make two parallel cuts down the center of the board to be replaced, then remove the center piece.
- Using a small pry bar, remove the remaining pieces of decking from the tabs.
- Using a reciprocating saw, remove the tabs on the side of the board with the screw heads showing.
- Position new board into place, and carefully drive onto remaining tabs.
- Once the board is set into position, secure the loose edges with L-Bracket, Cortex, stainless steel, or high-quality coated deck screws.

8 HOW TO: USE CONCEALoc WITH SQUARE SHOULDERED PLANKS

- Create a 2" long groove on the edge of the plank at every joist.
- Use TimberTech's CONCEALoc Groove Cutting Router Bit or a Freud model #56-112 or Bosch model #85610M 1/4" slot cutting bit.
- Flip the plank over and start the groove 3/8" off the bottom of the plank.
- Set the depth of the cut from 7/16" to 1/2" deep.

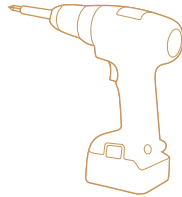


Note: Be sure to ID the side of the plank that has the directional notch; the planks with IDs should be installed to the same side. See Directional Notch on page 5.

Cortex® Hidden Fastening System Installation Instructions

Suggested Drills

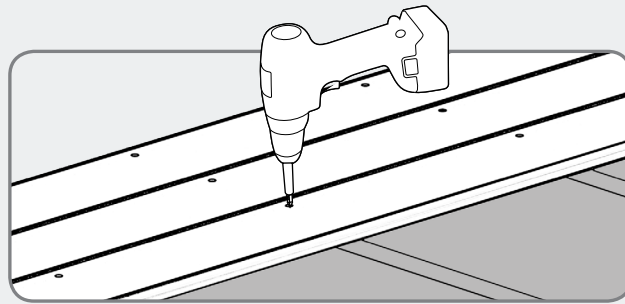
Corded or cordless (18V battery) drill with 1/2" chuck.



Impact Drivers are not recommended when using TimberTech Cortex.

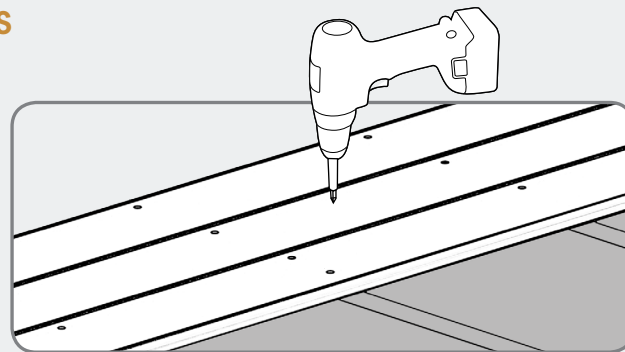
1 DRIVE SCREW

- Using Setting Tool provided, drive screw at medium or high speed until it disengages at the proper level below the deck surface.
- Drive at one continuous speed, do not slow down.



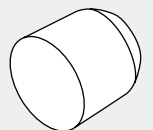
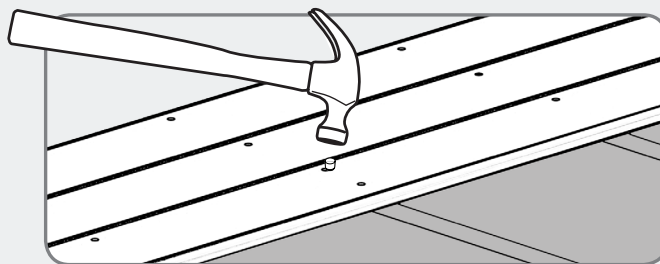
2 INSTALL DECK SCREWS INTO JOISTS

- Install two screws into decking at each joist.
- Maximum spacing between each row of screws should be 16" on center.



3 INSTALL PLUG

- Place plug into cored hole and gently tap flush with deck surface.





Important Information

- The Cortex Setting Tool must be used to set the Cortex screw to the proper depth.
- The Cortex fastener must be driven perpendicular to the deck surface for proper fit and ideal finished look.
- The cored hole must be free of debris or moisture. Use a smooth hammer head to set the Cortex plug.
- The interaction between the deck board, screw, and plug is essential. Use of non-Cortex Screws or non-Cortex plugs will nullify the warranty.

End and Edge Distance Minimums

- Pre-drilling is required for installation into Earthwood Evolutions decking.
- Pre-drilling is required when installing Cortex fasteners less than 1" from the end and 1" from the edge of a TimberTech deck board.
- Pre-drilling is also required at butt joints. Common building practices dictate that you "sister" an additional joist at your butt seam connections.
- Pre-drilling should be done with a 5/32" drill bit to create the proper pilot hole.

Restricted Cortex Uses

The TimberTech Cortex System is designed for traditional elevated deck surfaces. The following applications require a different fastening method:

- Sleeper systems: Framing rests directly on the ground or roof deck.
- For attaching fascia boards: TimberTech TOPLoc should be used.
- Docks or decks with framing members in constant contact with saltwater.
- Deck materials with a scalloped bottom such as, but not limited to Reliaboard, Earthwood Evolutions, and Terrain Collection.

With proper installation and care, TimberTech products will provide years of outdoor living pleasure.

For most current recommendations, visit <http://www.timbertech.com/warranty-and-care/care-and-cleaning/default.aspx>

Storage

Store TimberTech products under cover to maintain a clean surface. If stored outdoors, they must be covered with a non-translucent material.

- All products should be stored flat and on a dry surface.
- Stack units with banding and bottom supports aligned.

Handling

Although all TimberTech planks are made with low-maintenance materials, each plank's unique features require special care and handling ensuring lasting beauty.

To maintain the beauty of TimberTech products please follow these important guidelines when moving and working with TimberTech:

- Never dump TimberTech materials when unloading.
- When carrying TimberTech planks, carry on edge for better support.
- Do not slide planks against each other when moving them. When removing them from the unit, lift the planks and set them down.
- Do not slide tools or drag equipment across the top of the planks during construction.
- Keep the surface of the planks free of construction waste to prevent damage to the planks.

Care & Maintenance

Basic Cleaning Recommendations: TwinFinish, ReliaBoard, and DockSider

Although TimberTech products are low-maintenance, TimberTech recommends periodic cleaning to help maintain the beauty of the product. For best results a cleaner like Eco-friendly Corte Clean is recommended. Follow the manufacturers' application instructions.

- A power washer can be used when cleaning TimberTech products. The recommended maximum pressure is 1500 psi from TimberTech decks. A fan tip nozzle should be used along with the proper cleaning product. Spray in the direction of the brush/grain pattern to avoid damaging the product. Use caution not to damage the material and always take the proper safety precautions when operating a power washer.

Cleaners that are recommended for periodic cleaning or use with TimberTech (ReliaBoard, TwinFinish, and DockSider) are:

- Super Deck Composite Deck Cleaner
- Corte Clean
- E Z Off Composite Wood Cleaner
- Thompson's Water Seal-Oxy Action

To clean Earthwood Evolutions we recommend the following methods:

*Keeping an unsoiled deck surface will make cleanup after a spill much easier.

1. Immediately wipe the soiled area and remove as much of the spill as possible.
2. If the spill consists of an abrasive substance, blot the spill. Do not rub.
3. Soak the stained area with warm water and blot up with a soft towel.
4. If the stain is still evident, mix a solution of mild dishwashing detergent and warm water in a small bucket.
5. Using a clean towel or soft sponge, apply the soapy solution to the stain and allow to stand for 3 minutes.
6. After the stain has soaked, attempt to wipe with a clean towel or sponge.

For periodic maintenance cleaning, rinse deck thoroughly. A soap and water solution can be used as needed.

Ice and Snow

For ice removal, either rock salt or calcium chloride may be used without damage to the surface. However, either of these products may leave a white residue, which may be removed by either rinsing with water or a mild soap/water solution should achieve this. Use care and caution to not damage the surface of your deck when shoveling snow or ice off of it. Metal shovels or shovels with a metal leading edge may damage TimberTech Decking and are not recommended.

Painting/Staining/Sealing

Although not recommended, TimberTech ReliaBoard, TwinFinish, and DockSider products may be painted or stained. Once the product is painted, stained or sealed, subsequent applications will be necessary to maintain appearance. TimberTech does not guarantee the performance of anything applied to the product. Wait approximately 8-10 weeks or until the product has completed its weathering process before painting or staining. Clean your TimberTech surface prior to applying paint or stain. Never paint or stain over surfaces that may contain dirt or mildew. Always apply paints and sealers in accordance with the manufacturer's application instructions.

Stains and sealers that are recommended for use with the above products are:

- Cabot Clear Solution-Oil Based
- Weatherall UV Guard Deck and Fence Coating
- Cabot Australian Timber Oil

Dirt, Grime, Tannin and Mildew Stains

TimberTech products are formulated to inhibit mildew growth and minimize staining. Rinse off your TimberTech products periodically with a hose. Even if it appears clean, it is important to prevent build-up of pollen/debris. Mildew stains may occur where moisture, pollens, and/or dirt are present. Mildew needs a food source to grow, which can be grass, pollens, dirt, debris, wood and wood resins.

Maintaining a clean, dry surface is the best method for combating mildew. Ensure that water drains effectively from your deck. For TimberTech Earthwood Evolutions, TwinFinish, DockSider and ReliaBoard, be sure that gaps exist between planks to allow for drainage.

Like any wood-based product, TimberTech's wood-plastic composite products (ReliaBoard, TwinFinish, and DockSider) may experience a naturally occurring process called Extractive Bleeding. This process may cause a temporary discoloration that will weather away. In most cases the weathering process takes 8-10 weeks but could vary depending on location and specific product application such as a covered porch.

If the stains have set on TwinFinish, ReliaBoard, or DockSider planks, you may want to use fine sandpaper and sand lightly followed by a wire brush to re-grain the decking. Always follow the wood grain finish of the plank. The sanded area will weather back in approximately 8-10 weeks but can vary depending on location and specific application.

Spot Stains

Many stains can be cleaned with soap and water. If the stains have set, the following cleaners have been found to remove or reduce the stains. Always follow the manufacturer's instructions to achieve maximum results. Areas cleaned may lighten; this will require 8-10 weeks exposure to the sun to match the remaining product.

TwinFinish, ReliaBoard, and DockSider:

Tree Sap

- Krud Cutter
- Simple Green

Spray Paint

- Lift Off #4

Oil, Grease

- Krud Cutter
- Oil Eater

BBQ, Ketchup, Mustard, Jelly and Jam

- Krud Cutter

Wine

- Wine Away (wineaway.com)

Kool-Aid

- Oxi Clean (oxiclean.com)

Scratches, Nicks, Cuts and Grooves

TwinFinish, ReliaBoard, and DockSider planks and TwinFascia (in Cedar, Grey and Redwood):

Scratches, nicks, cuts and grooves can be eliminated by using a wire brush. Brush in the direction of the grain of the product. The brushed area will weather back in approximately 8-10 weeks.

Warranty

TimberTech products are made exclusively from technologically advanced materials designed to provide years of use and enjoyment. TimberTech decking and railing products are covered by a 25-year limited warranty for residential applications and a 10-year limited warranty for commercial applications. TimberTech Earthwood Evolutions decking is covered by a 25-year residential limited fade and stain warranty. The products are guaranteed against termites, checking, splitting, decay, rot and splintering. For a complete copy of TimberTech warranties, visit timbertech.com.



Decking Installation & Maintenance Guide



TimberTech
894 Prairie Avenue
Wilmington, OH 45177
timbertech.com
1.800.307.7780