

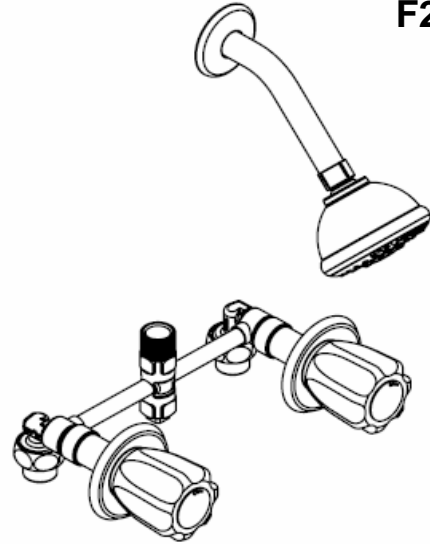
TWO HANDLE SHOWER ONLY FAUCET

766-585

F2010210CP

FEATURES:

- Solid brass & copper waterways
- Drip-free washerless cartridge
- Acrylic round handle
- Max flow rate: 2.5 GPM at 80Psi
- 100% factory pressure tested before shipment



CODES / STANDARDS APPLICABLE:

Specified model meets or exceeds the following:

- ANSI/ASME A112.18.1
- IAPMO/UPC
- CSA B125

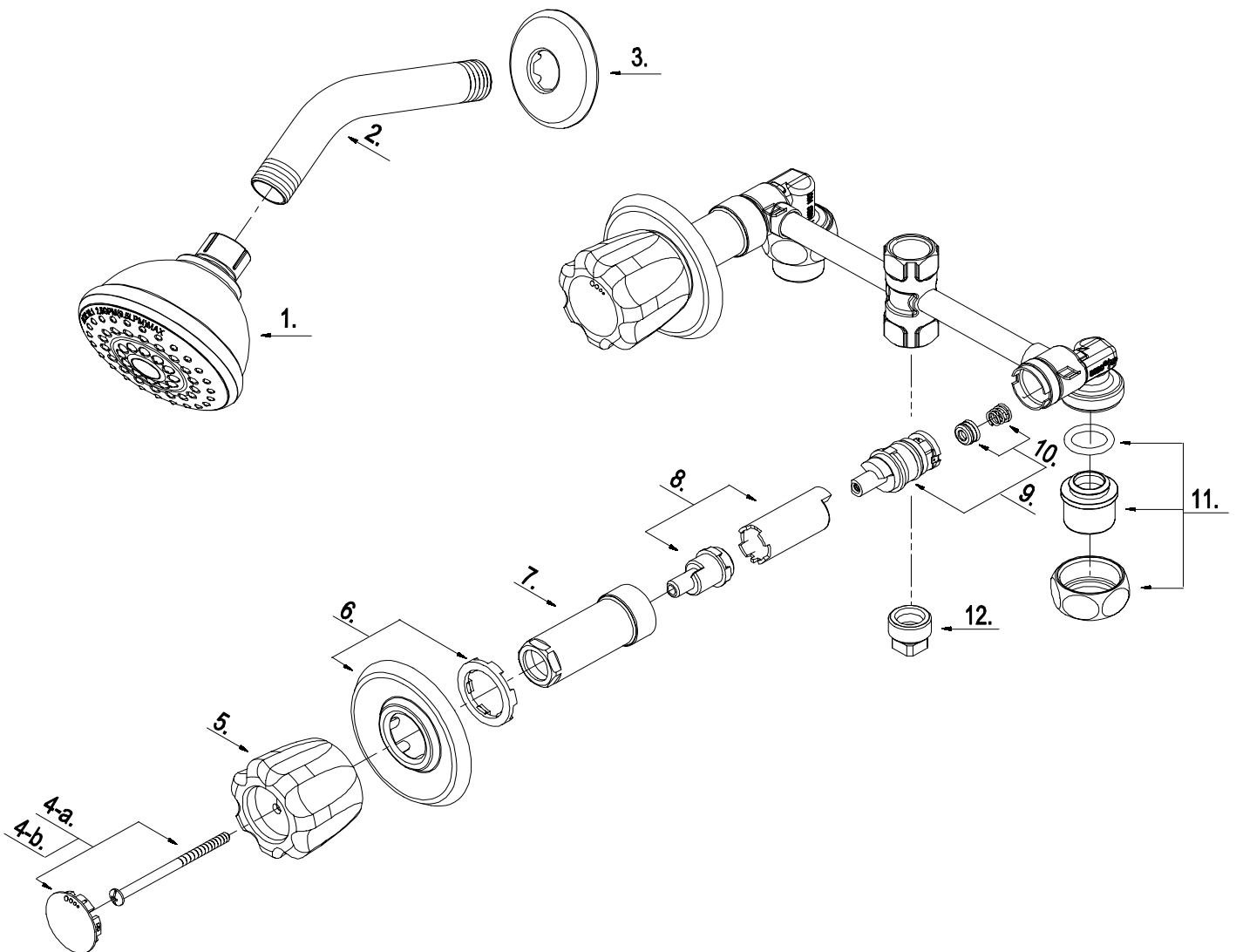
COLOR FINISHES:

- CP = Polished Chrome

SPECIFIED MODEL:

Model	Description	Finish
766-585	Two Handle Shower Only Faucet	Polished Chrome

EXPLODED DRAWING



PARTS LISTING

No.	Part Number	Finish	Part Description
		766-585	
1	S1215400	CP	Shower Head
2	A020002	CP	Shower Arm
3	A019001	CP	Shower Arm Flange
4-a	A66D769C		Index Button - Cold
4-b	A66D769H		Index Button - Hot
5	A029001		Acrylic Handle
6	A111001-S	CP	Escutcheon
7	A216106		Sleeve
8	A517000H		Stem Extension (H)
9	A66D636N		Cartridge Assembly
10	A663002		Seat & Spring Set
11	A603668		Union Nut
12	A028004		Plug