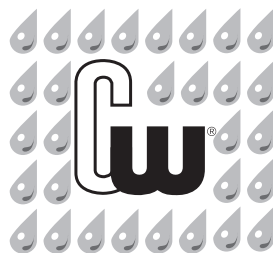


Model 6100

Illustrated Installation

Instructions

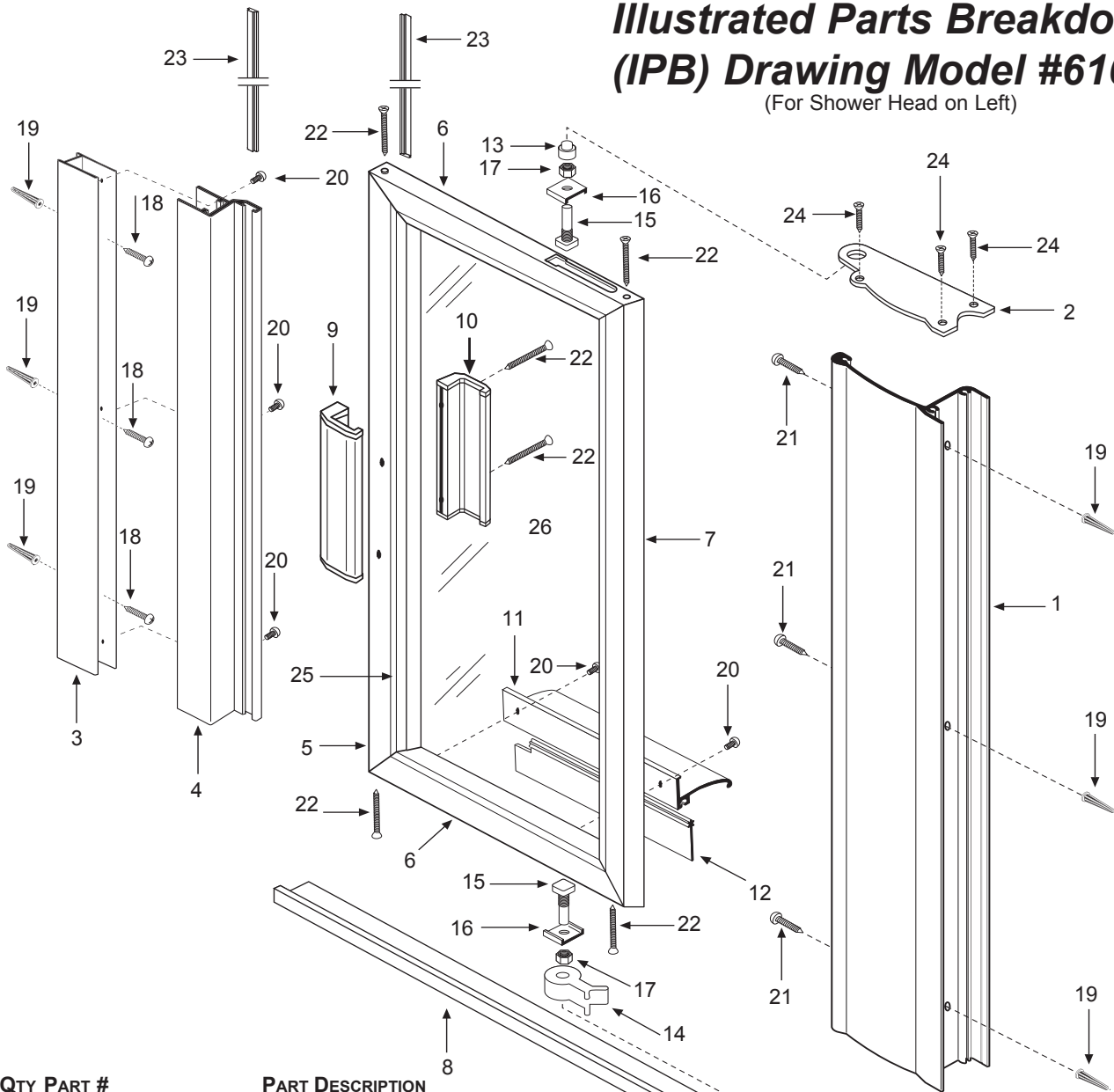


Shower Doors

DESIGNERS • MANUFACTURERS
26121 Avenue Hall • Valencia, CA 91355
(661) 257-1177 • Fax (661) 257-4907
Or visit our website at: www.cwdoor.com

Illustrated Parts Breakdown (IPB) Drawing Model #6100

(For Shower Head on Left)



No.	QTY	PART #
#1	1	A7300
#2	2	BS2050
#3	1	A7070
#4	1	A7065
#5	1	A7085
#6	2	A7095
#7	1	A7090
#8	1	A7110
#9	1	HOA61
#10	1	HIA61
#11	1	A7046
#12	1	G3010
#13	1	BS1000
#14	1	BS1020
#15	2	P6000
#16	2	S84000 Gold S84005 Silver
#17	2	N6010 Gold N6015 Silver
#18	3	S82060 Gold S82065 Silver
#19	6	S0170
#20	5	S81010 Gold S81015 Silver
#21	3	S82080 Gold S82085 Silver

PART DESCRIPTION
Adjustable Pivot Jamb
Adjustable Pivot Jamb Bracket
Slip Jamb Male - #6100
Slip Jamb Female - #6100 with Magnetic Jamb Seal
Pivot Strike Rail - #6000
Door Top/Bottom Rail - #6100
Door Side Rail - #6100
Dam Strip
Handle Outside
Handle Inside (with Holes)
Drip Rail - #6100
Drip Rail Gasket - #6100
Pivot Bushing (Top)
Pivot Bushing (Bottom)
Pivot Pin
Spanner Washer
Keyp Nut
#8 x 1 1/2" PH SMS Screw
Screw Anchor
#6 x 1/4" "B"-Point Screw
#8 x 2 1/2" FH SMS Screw

No.	QTY	PART #
#22	6	S82070 Gold S82075 Silver
#23	2	M1000
#24	6	S82090 Gold S82095 Silver
#25	1	G1070 Gray G1080 Gold G1090 Gray G1095 Gold G2010 Gray G2020 Gold
#26	1	Framed Door

PART DESCRIPTION
#8 x 1 1/2" FH SMS Screw
Magnetic Jamb Seal
#8 x 1/2" FH SMS Screw
3/16" Door Vinyl
3/16" Door Vinyl
1/4" Door Vinyl
1/4" Door Vinyl
1/8" - 5/32" Door Vinyl
1/8" - 5/32" Door Vinyl

In this instruction booklet we will walk you through the installation of your new shower door.


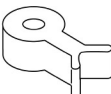
DO NOT REMOVE your old shower door until you check your new shower door kit for all the proper parts. Make sure that you have all the proper tools required to assemble your new shower door. Use this check list.


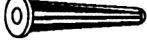

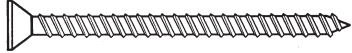


- Phillips Screwdriver
- Level
- Electric Drill
- 1/8" Drill Bit (for fiberglass stall)
- 3/16" Masonry Drill Bit (for tile stall)
- 7/64" Drill Bit
- 7/16" Open End Wrench
- Pliers
- Pencil
- Hammer
- Caulking Gun and one Tube of Clear Tub/Tile Silicone
- Tape Measure
- Safety Glasses

CAUTION: Wear safety glasses whenever drilling or cutting. Handle the Door panel carefully. The corners of the panel can damage tile and floor covering. Tempered glass cannot be cut.

STEP 1 Checking Contents of Shower Door Package

DO NOT use a razor blade to cut open the paper wrapping as you may scratch the contents. Use the IPB Drawing to help you locate the following parts:

No.	Qty.	Description
(#1)	1	Adjustable Pivot Jamb
(#2)	2	Adjustable Pivot Jamb Bracket
(#3)	1	Slip Jamb Male - #6100
(#4)	1	Slip Jamb Female - #6100 with Magnetic Jamb Seal
(#8)	1	Dam Strip
(#9)	1	Handle Outside
(#10)	1	Handle Inside (with Holes)
(#11)	1	Drip Rail - #6100
(#12)	1	Drip Rail Gasket - #6100
(#13)	1	Pivot Bushing (Top) 
(#14)	1	Pivot Bushing (Bottom) 
(#15)	2	Pivot Pin

(#16)	2	Spanner Washer
(#17)	2	Keq Nut
(#18)	7	#8 x 1 1/2" PH SMS Screw 
(#19)	6	Screw Anchor 
(#20)	5	#6 x 1/4" "B"-Point Screws 
(#21)	3	#8 x 2 1/2" FH SMS Screw 
(#22)	6	#8 x 1 1/2" FH SMS Screw 
(#24)	6	#8 x 1/2" FH SMS Screw 
(#26)	1	Framed Door Panel

If you find that any parts are damaged or missing, refer to the parts list and IPB Drawing and contact Contractors Wardrobe®'s Customer Service Department at 661-257-1177. NOTE: Views and directions given in these instructions — left, right, front, back, etc. — are from outside of the enclosure, facing the shower.

STEP 2 Removing the Existing Enclosure

- A. Remove existing shower door and all existing parts to that door assembly. Remove all screw anchors from the wall. Remove silicone sealant or tub caulking and any other contaminants from shower.

STEP 3 Installing the Adjustable Pivot Jamb

NOTE: The wall opposite the shower head and controls will be the pivot side. Some situations may require the door to pivot on the same side as the shower head and controls.

- A. Using the Tape Measure, find the center of the shower dam. Make a mark where the center is on both ends of the dam. (See Figure 1).

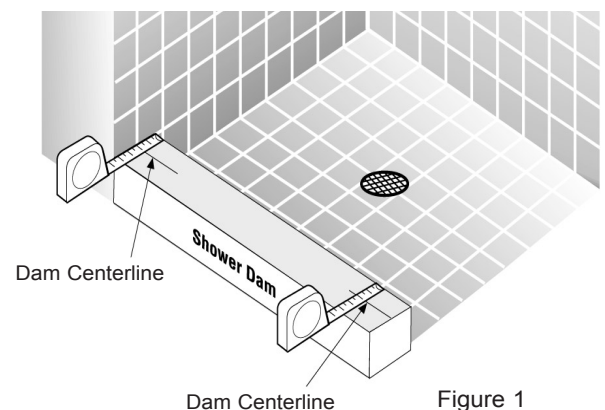


Figure 1

B. Locate the Adjustable Pivot Jamb (#1), the Adjustable Pivot Jamb Brackets (#2) and six #8 x 1/2" FH SMS Screws (#24).

C. Secure the Adjustable Pivot Jamb Brackets (#2) to the Adjustable Pivot Jamb (#1) with the #8 x 1/2" FH SMS Screws (#24). Tighten the bottom three screws completely. Tighten the top three screws only half way.

D. Locate the Pivot Bushing (Bottom) (#14) and press it into the Bottom Adjustable Pivot Jamb Bracket (#2) plate hole (See Figure 2).

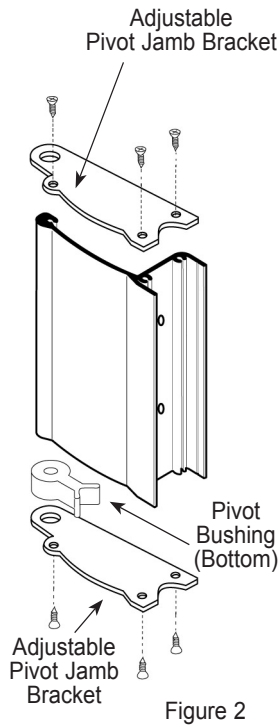


Figure 2

E. Align the center of the Pivot Bushing (Bottom) (#14) with the mark on the shower dam. Use a Level against the Adjustable Pivot Jamb (#1) to align it straight up and down (See Figure 3). Using a Pencil, mark the wall through each of the three pre-drilled holes in the side of the Adjustable Pivot Jamb (#1). Remove the Adjustable Pivot Jamb (#1).

F. Using either a 1/8" Drill Bit (for a fiberglass enclosure) or a 3/16" Masonry Drill Bit (for tile/marble), drill holes where you made the marks. If installing in a tile/marble enclosure, gently tap a Screw Anchor (#19) into each hole. **DO NOT use the Screw Anchors for a fiberglass enclosure.**

G. Position the Adjustable Pivot Jamb (#1) and use three #8 x 2 1/2" FH SMS Screws (#21) to secure the Adjustable Pivot Jamb (#1) to the wall.

STEP 4 Installing the Slip Jamb Male

A. Locate the Slip Jamb Male (#3) and three #8 x 1 1/2" PH SMS Screws (#18).

B. Place the Slip Jamb Male (#3) at the centerline mark on the shower dam opposite the Adjustable Pivot Jamb (#1) as shown in Figure 3. Use the Level to align the Slip Jamb Male (#3) straight up and down. Use the pencil tip in each of the pre-drilled holes in the Slip Jamb Male (#3) to mark the wall. Set the Slip Jamb Male (#3) aside.

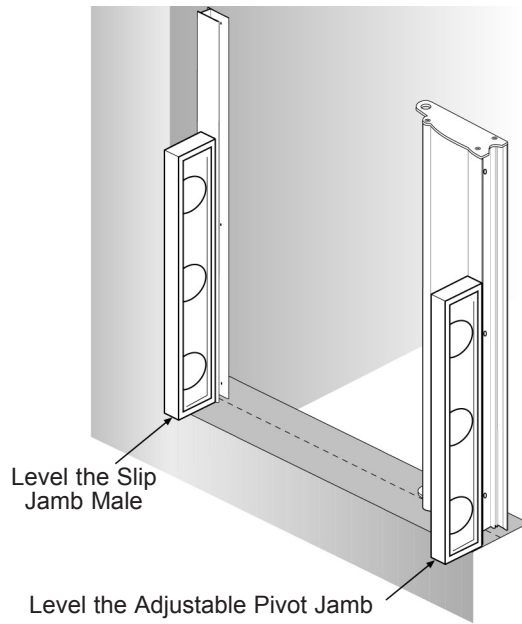


Figure 3

C. Using either a 1/8" Drill Bit (for a fiberglass enclosure) or a 3/16" Masonry Drill Bit (for tile/marble) drill holes where you made the pencil marks. If installing in a tile/marble enclosure, gently tap a Screw Anchor (#19) into each hole. **DO NOT use the Screw Anchors (#19) for a fiberglass enclosure.**

D. Position the Slip Jamb Male (#3) and use three #8 x 1 1/2" FH SMS Screws (#18) to secure the Slip Jamb Male (#3) to the wall.

STEP 5 Installing the Slip Jamb Female

A. Locate the Slip Jamb Female (#4) (comes with Magnetic Jamb Seal (#23) pre-installed) and three #6 x 1/4" "B"-Point Screws (#20).

B. Place the Slip Jamb Female (#4) over the Slip Jamb Male (#3) with the Magnetic Jamb Seal (#23) facing **OUT**, towards you as you look into the shower. Use the Level to adjust the Slip Jamb Female (#4) vertically. **DO NOT** secure at this time.

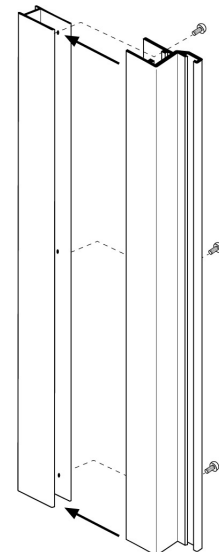
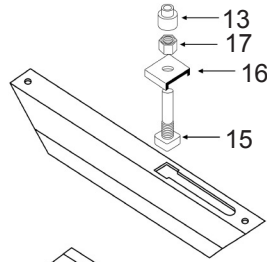


Figure 4

STEP 6 Installing the Pivot Pin Assemblies

- A. Locate the Pivot Pins (#15), Spanner Washers (#16), Kep Nuts (#17) and Pivot Bushing (Top) (#13).



- B. Loosely assemble the two Pivot Assemblies: Pivot Pin (#15), Spanner Washer (#16) and Kep Nut (#17). Place the square head of a Pivot Pin (#15) into each pivot slot of the Door Top and Bottom Rails (#6) on the door panel.

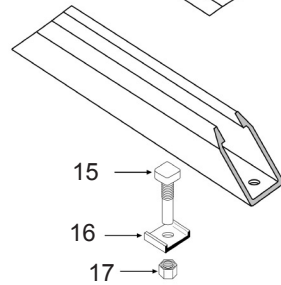


Figure 4

Slide the Pivot Pin (#15) toward the narrow end of the pivot slot in the Door Top and Bottom Rails (#6) and hand tighten.

STEP 7 Installing the Door

NOTE: Installing the door may be slightly easier with another person to assist you.

- A. Carefully lift the door and set the bottom Pivot Pin (#15) into the Pivot Bushing (Bottom) (#14). Holding the door panel in place, set the Pivot Bushing (Top) (#13) over the top Pivot Pin (#15) (See Figure 5).

- B. Lift the top Adjustable Pivot Jamb Bracket (#2) and align the top Pivot Pin (#15) and Pivot Bushing (Top) (#13) with the hole in the top Adjustable Pivot Jamb Bracket (#2). Lower the Adjustable Pivot Jamb Bracket (#2) onto the Pivot Pin (#15) and Pivot Bushing (Top) (#13) and tighten the three top screws.

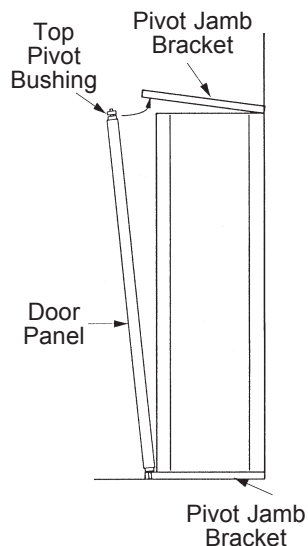


Figure 5

- C. Close the door and adjust it so that there is a 1/8" gap along the entire length of the door on the strike side. Use the 7/16" wrench to

tighten the Kep Nuts (#17) at the top and bottom of the door, maintaining the 1/8" gap.

- D. Standing inside the shower, use the 7/64" Drill Bit to drill a hole 6" down from the top of the Slip Jamb Female (#4) through both Slip Jambs. Drill another hole 6" up from the bottom and also one in the middle. Secure the Slip Jamb Female (#4) to the Slip Jamb Male (#3) with three #6 x 1/4" "B"-Point Screws (#20) (See Figure 4).

Note: Once installed, if you find that the door will not stay closed, the magnet needs to be turned around. Remove the Magnetic Jamb Seal (#23) and reinsert it the other way.

STEP 8 Installing the Drip Rail and Drip Rail Gasket

- A. Locate the pre-drilled Drip Rail (#11), Drip Rail Gasket (#12) and two #6 x 1/4" "B"-Point Screws (#20).

- B. Measure the Drip Rail (#11) and add 1 1/4" to the measurement. Using a straight edge, cut the clear Drip Rail Gasket (#12) to this length. On one end along the "star" edge, notch the Drip Rail Gasket (#12) 1/4". This end will be on the *strike* side when the Drip Rail Gasket (#11) is installed.

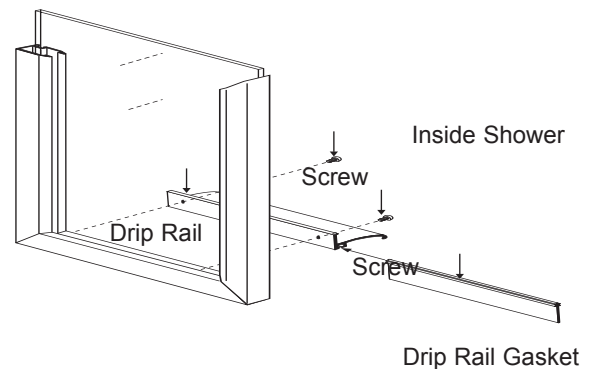


Figure 6

C. Slide the "star" edge of the Drip Rail Gasket (#12) into the channel in the bottom of the Drip Rail (#11) and pull through. Make sure the notched end is on the *strike* side.

- D. Peel the backing off of the two-way tape on the Drip Rail (#11). Position the Drip Rail (#11) so that one end is flush with the Bottom Rail (#6) on the hinge side of the door and 1/2" in from the edge of the Pivot Strike Rail (#5) with the bottom edge of the Drip Rail Gasket (#12) *just* touching

the surface of the shower sill. Press the Drip Rail (#11) onto the Bottom Rail (#6).

- E. Next, use the 7/64" Drill Bit and, using the pre-drilled holes, *carefully* drill two holes in the Bottom Rail (#6). Using the remaining two #6 x 1/4" "B"-Point Screws (#20), secure the Drip Rail (#11) with Drip Rail Gasket (#12) to the Door Panel (See Figure 6).
- F. With the Drip Rail (#11) attached to the door, adjust the Drip Rail Gasket (#12) so that 1/4" protrudes from the channel on the Pivot Strike Rail (#5) side and 1" protrudes from the pivot side. Using Pliers, crimp the channel at the end nearest the Pivot Strike Rail (#5) to lock the Drip Rail Gasket (#12) into place.

STEP 9 Installing the Handles

- A. Locate the Handle Outside (#9), Handle Inside (with Holes) (#10) and the two #8 x 1 1/2" FH SMS Screws (#22).
- B. Use the #8 x 1 1/2" FH SMS Screws (#22) to attach the Handles to the Pivot Strike Rail (#5). Screw heads should be *inside* the shower.

STEP 10 Installing the Dam Strip

- A. Locate the Dam Strip (#8). Notice that one end has been pre-cut to fit the shape of the Adjustable Pivot Jamb Bracket (#2). Do not remove the backing from the two-way tape on the Dam Strip (#8) at this time.
- B. From the outside of the shower enclosure insert the Dam Strip (#8) to meet the Adjustable Pivot Jamb Bracket (#2). Cut the other end of the Dam Strip (#8) straight to fit up against the Slip Jamb Female (#4) (See Figure 7).

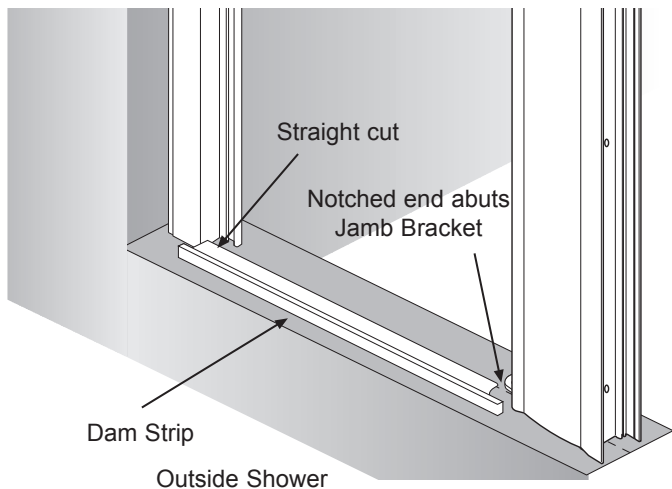


Figure 7

- C. Make sure that the top surface of the shower dam is completely clean of oil, dust, debris or other contaminants. Peel off the backing on the adhesive tape on the bottom of the Dam Strip (#8) and press it into place on top of the shower dam.

STEP 11 Silicone Sealing the Enclosure

- A. Using clear Tub/Tile Silicone, seal all edges, both interior and exterior where the Adjustable Pivot Jamb (#1), Adjustable Pivot Jamb Brackets (#2), Slip Jamb Female (#4) and Dam Strip (#8) meet and where they meet the tile or fiberglass.

NOTE: Silicone sealant must cure for 24 hours before you use your new enclosure. Silicones may vary. Please follow curing instructions on the tube.

STEP 12 Cleaning the Enclosure

Clean the glass and enclosure hardware with a mild, non-abrasive cleaner designed for glass such as CW[®] Mirror & Glass Cleaner. Avoid using scouring cleansers as this will scratch and mar the beautiful finish on the enclosure.

Thank you for purchasing a CW[®] Shower Enclosure. This is only one of a large line of shower enclosures and high quality wardrobe door products. If you like this product, please contact Contractors Wardrobe[®] for more information about our many beautiful Wardrobe Doors in bi-pass and bi-fold styles with steel, aluminum and hardwood frames.