

RSG307AARS

30 cu. ft. Side-by-Side Refrigerator

Features

- Large Capacity – 30 cu. ft.
- Premium External Filtered Water and Ice Dispenser
- Automatic In-Door Ice Maker
- Dual LED Tower Lighting
- Twin Cooling Plus System®
- Multi Air Flow
- Power Freeze and Power Cool Options
- Tempered Glass Spill-Proof Shelves
- Gallon Door Bins

Convenience

- Door Alarm
- Water Filter Indicator
- Wine Rack



ENERGY STAR® rated:
Rated CEE Tier 1: Most Efficient
621 kWh/yr



Side-by-Side Design



Premium External Filtered Water and Ice Dispenser

Available Colors



Stainless Steel
(shown)



White



Black

Signature Features

PREMIUM EXTERNAL FILTERED WATER AND ICE DISPENSER

Get great-tasting, filtered water directly from your refrigerator. Spend less time and money buying bottled water.

TWIN COOLING PLUS®

- Refrigerator air is kept at higher, near-commercial grade humidity levels to keep perishable fruits and vegetables fresher longer.
- Drier freezer air means less freezer burn for better-tasting frozen foods.

DUAL LED TOWER LIGHTING

Our strategically placed Dual LED Tower Lighting brightens every corner so you can better organize the refrigerator and freezer to quickly find what you need.



Ranked **“Highest in Customer Satisfaction with Refrigerators”**
by J.D. Power and Associates.

SAMSUNG

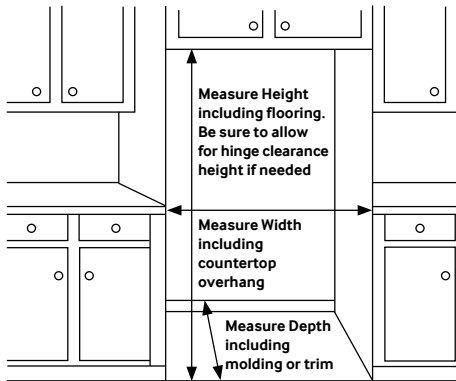
RSG307AARS

30 cu. ft. Side-by-Side Refrigerator

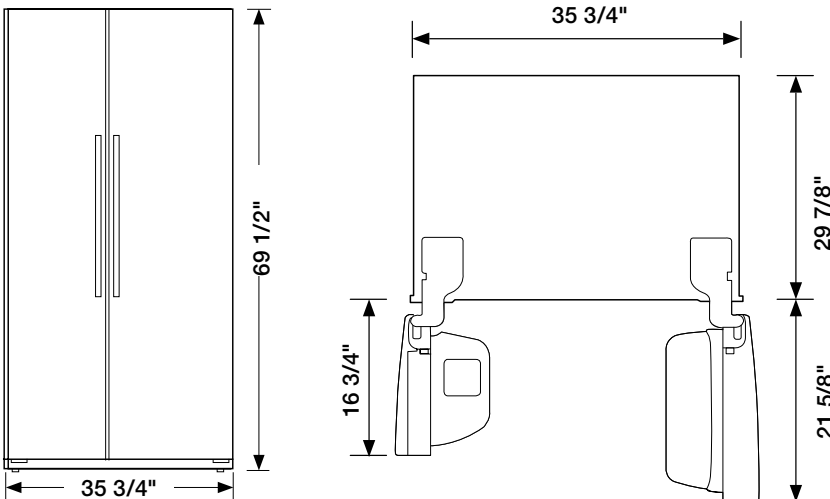
Installing Your Refrigerator

1. Measure the height, width and depth of the opening, making sure to include baseboards, molding tile, countertop overhang, etc. Check to be sure there is enough room to open the door (consider walls, islands or other obstacles when measuring).
2. Refer to chart B below to determine dimensions.
3. Allow 2" of clearance on hinge side of refrigerator when installing next to a wall where handle may make contact.
4. Allow 1" minimum clearance at rear for proper air circulation and water/electrical connections. Allow a 3/8" minimum clearance at sides and top for ease of installation.
5. Ensure each door and entry way in the home is wide enough for the refrigerator to be moved through easily.

Please note: The following dimension and cutout information is for planning purposes only. For complete installation details consult manual packed with product, or download manual on-line at samsung.com.



Dimensions



Total Capacity: 29.6 cu. ft.

Refrigerator: 18.1 cu. ft.

- Multi Air Flow
- 4 Tempered Glass Spill-Proof Shelves
- 2 Clear Drawers and 1 Fresh Drawer
- 5 Clear Door Bins
 - 3 Gallon Bins
 - 1 Dairy Bin
 - 1 Regular Bin
- Dual LED Tower Lighting

Freezer: 11.5 cu. ft.

- External Filtered Water and Ice Dispenser (Crushed or Cubed Ice)
- Automatic In-Door Ice Maker
- 5 Glass Shelves
- 3 Clear Door Bins
- 2 Clear Drawers
- Dual LED Tower Lighting

Accessories

Water Filter: HAF-CIN

Warranty

One (1) Year All Parts and Labor

Five (5) Years Sealed System Parts and Labor

Product Dimensions & Weight

Dimensions (WxHxD with hinges, handles and doors):
35 3/4" x 69 1/2" x 36 3/4"

Dimensions (WxHxD without hinges and door):
35 3/4" x 69 1/8" x 29 7/8"

Dimensions (WxHxD with hinge and door, no handle):
35 3/4" x 69 1/2" x 34 1/4"

Weight: 302 lbs.

Shipping Dimensions & Weight (WxHxD)

Dimensions: 38 1/4" x 74 13/16" x 38 1/2"

Weight: 341.7 lbs.

Color	Model #	UPC Code
Stainless Steel	RSG307AARS	036725560741
White	RSG307AAWP	036725560758
Black	RSG307AABP	036725560727

SAMSUNG

Samsung received the highest numerical score for refrigerators in the proprietary J.D. Power and Associates 2012 Kitchen Appliance Study.SM Study based on 12,615 total responses measuring 17 brands and measures opinions of consumers about their refrigerator obtained new in the past 24 months. Proprietary study results are based on experiences and perceptions of consumers surveyed in January-February 2012. Your experiences may vary. Visit jdpower.com.

Actual color may vary. Design, specifications, and color availability are subject to change without notice. Non-metric weights and measurements are approximate.

©2013 Samsung Electronics America, Inc. 85 Challenger Road, Ridgefield Park, NJ 07660. Tel: 800-SAMSUNG. samsung.com. Samsung is a registered trademark of Samsung Electronics Co. Ltd.