

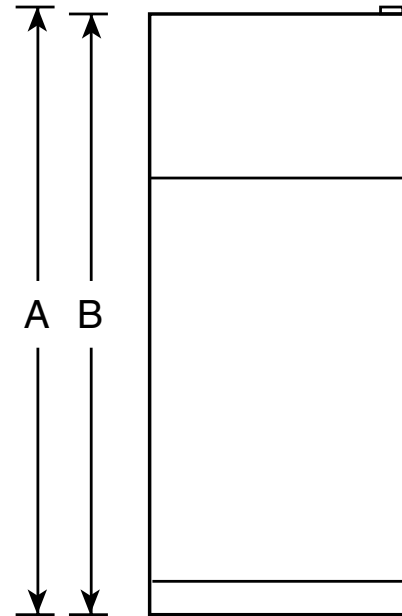
# GTH18EBC

## GE® ENERGY STAR® 18.1 Cu. Ft. Top-Freezer Refrigerator

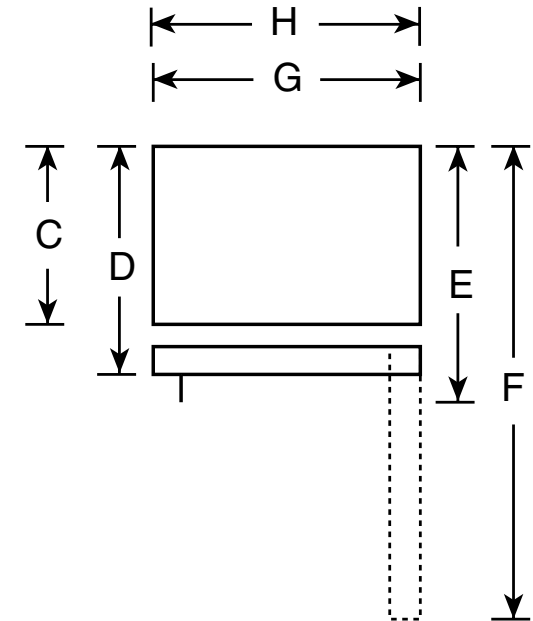
### Dimensions and Installation Information (in inches)

Overall Dimensions	Height to top of hinge (in.) <b>A</b>	67-3/8
	Height to top of case (in.) <b>B</b>	66-7/8
	Case depth without door (in.) <b>C</b>	26-3/4
	Case depth less door handle (in.) <b>D</b>	30-1/2
	Case depth with door handle (in.) <b>E</b>	32-3/8
	Depth with fresh food door open 90° (in.) <b>F</b>	56-3/8
	Width (in.) <b>G</b>	28
	Width with door open 90° with door handle (in.) <b>H</b>	30-3/4
Air Clearances	Each side (in.)	3/4
	Top (in.)	1
	Back (in.)	2

Front View



Top View



For answers to your Monogram®, GE Profile™ or GE® appliance questions, visit our website at [geappliances.com](http://geappliances.com) or call GE Answer Center® service, 800.626.2000.



imagination at work



Listed by  
Underwriters  
Laboratories



Total volume and shelf  
area are calculated by  
the Association of Home  
Appliance Manufacturers'  
standards.



As an ENERGY STAR®  
partner, GE has determined  
that this product meets the  
ENERGY STAR guidelines  
for energy efficiency.

Specification Created 4/11

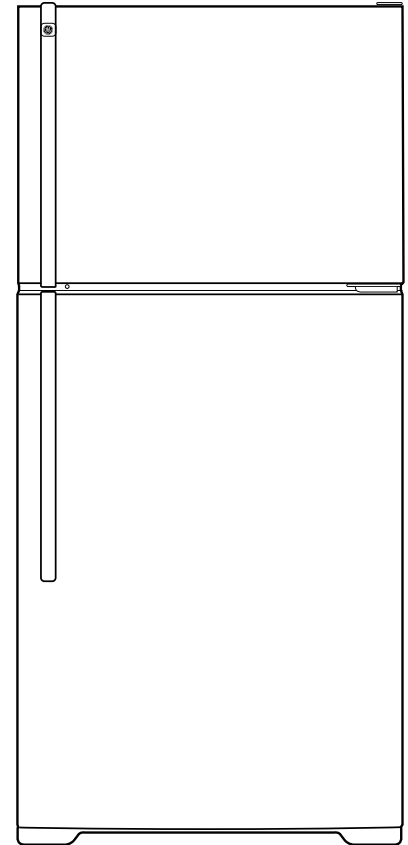
310370

# GTH18EBC

## GE® ENERGY STAR® 18.1 Cu. Ft. Top-Freezer Refrigerator

### Features and Benefits

- Upfront temperature controls - Easy-to-use control simplifies temperature setting
- Adjustable glass shelves - Shelves adjust to handle tall items and create additional space
- Crisper drawers - Provides the ideal environment for storing your fruits and vegetables
- Gallon door storage - Milk and larger items are easily accommodated in the door
- Can storage door shelf - Holds soft drink cans in the door for easy selection and quick access
- Wire freezer shelves - Sturdy shelves provide additional storage for frozen foods
- NeverClean™ condenser - Sealed compartment keeps coils clean and simplifies maintenance
- Deluxe quiet design - Significantly reduces unnecessary operating noise in the kitchen
- Model GTH18EBCWW - White
- Model GTH18EBCBB- Black



imagination at work



As an ENERGY STAR® partner, GE has determined that this product meets the ENERGY STAR guidelines for energy efficiency.

Specification Created 4/11

310370