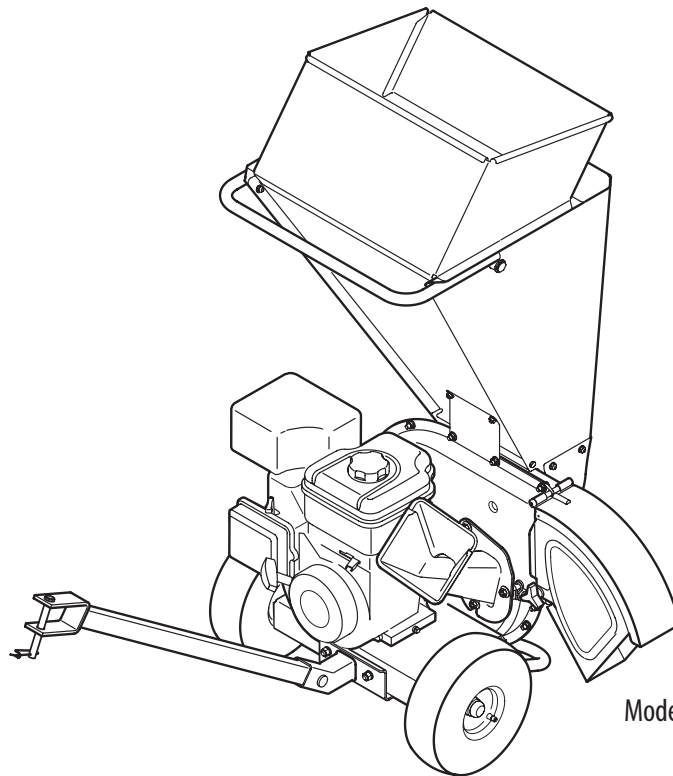


Cub Cadet.

OPERATOR'S MANUAL



Model Series CS 2210

Chipper Shredder — Model Series CS 2210 & CS 3210

⚠ WARNING

**READ AND FOLLOW ALL SAFETY RULES AND INSTRUCTIONS IN THIS MANUAL
BEFORE ATTEMPTING TO OPERATE THIS MACHINE.
FAILURE TO COMPLY WITH THESE INSTRUCTIONS MAY RESULT IN PERSONAL INJURY.**

CUB CADET LLC, P.O. BOX 361131 CLEVELAND, OHIO 44136-0019

Thank You

Thank you for purchasing a Chipper Shredder manufactured by Cub Cadet LLC. It was carefully engineered to provide excellent performance when properly operated and maintained.

Please read this entire manual prior to operating the equipment. It instructs you how to safely and easily set up, operate and maintain your machine. Please be sure that you, and any other persons who will operate the machine, carefully follow the recommended safety practices at all times. Failure to do so could result in personal injury or property damage.

All information in this manual is relative to the most recent product information available at the time of printing. Review this manual frequently to familiarize yourself with the machine, its features and operation. Please be aware that this Operator's Manual may cover a range of product specifications for various models. Characteristics and features discussed and/or illustrated in this manual may not be applicable to all models. Cub Cadet LLC reserves the right to change product specifications, designs and equipment without notice and without incurring obligation.

If you have any problems or questions concerning the machine, phone your local Cub Cadet dealer or contact us directly. Cub Cadet's Customer Support telephone numbers, website address and mailing address can be found on this page. We want to ensure your complete satisfaction at all times.

Throughout this manual, all references to *right* and *left* side of the machine are observed from the operating position

The engine manufacturer is responsible for all engine-related issues with regards to performance, power-rating, specifications, warranty and service. Please refer to the engine manufacturer's Owner's/Operator's Manual, packed separately with your machine, for more information.

Table of Contents

<i>Safe Operation Practices</i>	3	<i>Service</i>	14
<i>Assembly & Set-Up</i>	7	<i>Troubleshooting</i>	16
<i>Controls & Features</i>	9	<i>Replacement Parts</i>	20
<i>Operation</i>	10	<i>Warranty</i>	21
<i>Maintenance & Adjustment</i>	12	<i>Spanish</i>	22

Record Product Information

Before setting up and operating your new equipment, please locate the model plate on the equipment and record the information in the provided area to the right. This information will be necessary, should you seek technical support via our web site, Customer Support Department, or with a local authorized service dealer.

MODEL NUMBER

--	--	--	--	--	--	--	--	--	--	--

SERIAL NUMBER

--	--	--	--	--	--	--	--	--	--	--

Customer Support

If you have difficulty assembling this product or have any questions regarding the controls, operation, or maintenance of this machine, you can seek help from the experts. Choose from the options below:

- ◇ Visit us on the web at www.cubcadet.com
- ◇ Call a Customer Support Representative at (800) 965-4CUB
- ◇ Locate your nearest Cub Cadet Dealer at (877) 282-8684
- ◇ Write us at Cub Cadet LLC • P.O. Box 361131 • Cleveland, OH • 44136-0019



WARNING: This symbol points out important safety instructions which, if not followed, could endanger the personal safety and/or property of yourself and others. Read and follow all instructions in this manual before attempting to operate this machine. Failure to comply with these instructions may result in personal injury. When you see this symbol. **HEED ITS WARNING!**

CALIFORNIA PROPOSITION 65



WARNING: Engine Exhaust, some of its constituents, and certain vehicle components contain or emit chemicals known to State of California to cause cancer and birth defects or other reproductive harm.



DANGER: This machine was built to be operated according to the safe operation practices in this manual. As with any type of power equipment, carelessness or error on the part of the operator can result in serious injury. This machine is capable of amputating fingers, hands, toes and feet and throwing debris. Failure to observe the following safety instructions could result in serious injury or death.

Training

1. Read, understand, and follow all instructions on the machine and in the manual(s) before attempting to assemble and operate. Keep this manual in a safe place for future and regular reference and for ordering replacement parts.
2. Be familiar with all controls and their proper operation. Know how to stop the machine and disengage them quickly.
3. Never allow children under 16 years of age to operate this machine. Children 16 and over should read and understand the instructions and safe operation practices in this manual and on the machine and be trained and supervised by an adult.
4. Never allow adults to operate this machine without proper instruction.
5. Keep bystanders, pets, and children at least 75 feet from the machine while it is in operation. Stop machine if anyone enters the area.
6. Never run an engine indoors or in a poorly ventilated area. Engine exhaust contains carbon monoxide, an odorless and deadly gas.
7. Do not put hands and feet near rotating parts or in the feeding chambers and discharge opening. Contact with the rotating impeller can amputate fingers, hands, and feet.

8. Never attempt to unclog either the feed intake or discharge opening, remove or empty bag, or inspect and repair the machine while the engine is running. Shut the engine off and wait until all moving parts have come to a complete stop. Disconnect the spark plug wire and ground it against the engine.

Preparation

1. Thoroughly inspect the area where the equipment is to be used. Remove all rocks, bottles, cans, or other foreign objects which could be picked up or thrown and cause personal injury or damage to the machine.
2. Always wear safety glasses or safety goggles during operation and while performing an adjustment or repair, to protect your eyes. Thrown objects which ricochet can cause serious injury to the eyes.
3. Wear sturdy, rough-soled work shoes and close-fitting slacks and shirts. Loose fitting clothes or jewelry can be caught in movable parts. Never operate this machine in bare feet or sandals. Wear leather work gloves when feeding material in the chipper chute.
4. Before starting, check all bolts and screws for proper tightness to be sure the machine is in safe working condition. Also, visually inspect machine for any damage at frequent intervals.
5. Maintain or replace safety and instructions labels, as necessary.

Safe Handling of Gasoline:

To avoid personal injury or property damage use extreme care in handling gasoline. Gasoline is extremely flammable and the vapors are explosive. Serious personal injury can occur when gasoline is spilled on yourself or your clothes which can ignite. Wash your skin and change clothes immediately.

- a. Use only an approved gasoline container.
- b. Never fill containers inside a vehicle or on a truck or trailer bed with a plastic liner. Always place containers on the ground away from your vehicle before filling.
- c. When practical, remove gas-powered equipment from the truck or trailer and refuel it on the ground. If this is not possible, then refuel such equipment on a trailer with a portable container, rather than from a gasoline dispenser nozzle.
- d. Keep the nozzle in contact with the rim of the fuel tank or container opening at all times until fueling is complete. Do not use a nozzle lock-open device.
- e. Extinguish all cigarettes, cigars, pipes and other sources of ignition.
- f. Never fuel machine indoors.
- g. Never remove gas cap or add fuel while the engine is hot or running. Allow engine to cool at least two minutes before refueling.
- h. Never over fill fuel tank. Fill tank to no more than $\frac{1}{2}$ inch below bottom of filler neck to allow space for fuel expansion.
- i. Replace gasoline cap and tighten securely.
- j. If gasoline is spilled, wipe it off the engine and equipment. Move unit to another area. Wait 5 minutes before starting the engine.
- k. To reduce fire hazards, keep machine free of grass, leaves, or other debris build-up. Clean up oil or fuel spillage and remove any fuel soaked debris.
- l. Never store the machine or fuel container inside where there is an open flame, spark or pilot light as on a water heater, space heater, furnace, clothes dryer or other gas appliances.

Operation

1. Do not put hands and feet near rotating parts or in the feeding chambers and discharge opening. Contact with the rotating impeller can amputate fingers, hands, and feet.
2. Before starting the machine, make sure the chipper chute, feed intake, and cutting chamber are empty and free of all debris.
3. Thoroughly inspect all material to be shredded and remove any metal, rocks, bottles, cans, or other foreign objects which could cause personal injury or damage to the machine.

4. If it becomes necessary to push material through the shredder hopper, use a small diameter stick. Do not use your hands or feet.
5. If the impeller strikes a foreign object or if your machine should start making an unusual noise or vibration, immediately shut the engine off. Allow the impeller to come to a complete stop. Disconnect the spark plug wire, ground it against the engine and perform the following steps:
 - a. Inspect for damage.
 - b. Repair or replace any damaged parts.
 - c. Check for any loose parts and tighten to assure continued safe operation.
6. Do not allow an accumulation of processed material to build up in the discharge area. This can prevent proper discharge and result in kickback of material through the feed opening.
7. Do not attempt to shred or chip material larger than specified on the machine or in this manual. Personal injury or machine damage could result.
8. Never attempt to unclog either the feed intake or discharge opening while the engine is running. Shut the engine off, wait until all moving parts have stopped, disconnect the spark plug wire and ground it against the engine before clearing debris.
9. Never operate without the shredder hopper, chipper chute, or chute deflector properly attached to the machine. Never empty or change discharge bag while the engine is running.
10. Keep all guards, deflectors and safety devices in place and operating properly.
11. Keep your face and body back and to the side of the chipper chute while feeding material into the machine to avoid accidental kickback injuries.
12. Never operate this machine without good visibility or light.
13. Do not operate this machine on a paved, gravel or non-level surface.
14. Do not operate this machine while under the influence of alcohol or drugs.
15. Muffler and engine become hot and can cause a burn. Do not touch.
16. Never pick up or carry machine while the engine is running.
17. If situations occur which are not covered in this manual, use care and good judgement. Contact Customer Support for assistance and the name of the nearest service dealer.

Maintenance & Storage

1. Never tamper with safety devices. Check their proper operation regularly.
2. Check bolts and screws for proper tightness at frequent intervals to keep the machine in safe working condition. Also, visually inspect machine for any damage and repair, if needed.

3. Before cleaning, repairing, or inspecting, stop the engine and make certain the impeller and all moving parts have stopped. Disconnect the spark plug wire and ground it against the engine to prevent unintended starting.
4. Do not change the engine governor settings or overspeed the engine. The governor controls the maximum safe operating speed of the engine.
5. Maintain or replace safety and instruction labels, as necessary.
6. Follow this manual for safe loading, unloading, transporting, and storage of this machine.
7. Never store the machine or fuel container inside where there is an open flame, spark or pilot light such as a water heater, furnace, clothes dryer, etc.
8. Allow machine to cool at least 5 minutes before storing.
9. Always refer to the operator's manual for proper instructions on off-season storage.
10. If the fuel tank has to be drained, do this outdoors.
11. Observe proper disposal laws and regulations for gas, oil, etc. to protect the environment.
12. According to the Consumer Products Safety Commission (CPSC) and the U.S. Environmental Protection Agency (EPA), this product has an *Average Useful Life* of seven (7) years, or 60 hours of operation. At the end of the *Average Useful Life* have the machine inspected annually by an authorized service dealer to ensure that all mechanical and safety systems are working properly and not worn excessively. Failure to do so can result in accidents, injuries or death.

Do not modify engine

To avoid serious injury or death, do not modify engine in any way. Tampering with the governor setting can lead to a runaway engine and cause it to operate at unsafe speeds. Never tamper with factory setting of engine governor.

Notice Regarding Emissions

Engines which are certified to comply with California and federal EPA emission regulations for SORE (Small Off Road Equipment) are certified to operate on regular unleaded gasoline, and may include the following emission control systems: Engine Modification (EM), Oxidizing Catalyst (OC), Secondary Air Injection (SAI) and Three Way Catalyst (TWC) if so equipped.

Spark Arrestor






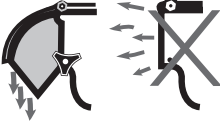

WARNING: This machine is equipped with an internal combustion engine and should not be used on or near any unimproved forest-covered, brushcovered or grass-covered land unless the engine's exhaust system is equipped with a spark arrester meeting applicable local or state laws (if any).

If a spark arrester is used, it should be maintained in effective working order by the operator. In the State of California the above is required by law (Section 4442 of the California Public Resources Code). Other states may have similar laws. Federal laws apply on federal lands.

A spark arrester for the muffler is available through your nearest engine authorized service dealer or contact the service department, P.O. Box 361131 Cleveland, Ohio 44136-0019.

Safety Symbols

This page depicts and describes safety symbols that may appear on this product. Read, understand, and follow all instructions on the machine before attempting to assemble and operate.

Symbol	Description
	READ THE OPERATOR'S MANUAL(S) Read, understand, and follow all instructions in the manual(s) before attempting to assemble and operate
	WARNING— ROTATING BLADES Keep hands out of inlet and discharge openings while machine is running. There are rotating blades inside
	BYSTANDERS Keep bystanders, pets, and children at least 75 feet from the machine while it is in operation. Stop machine if anyone enters the area.
	WARNING— THROWN DEBRIS Never operate without the chute deflector properly attached to the machine.
	EYE PROTECTION Always wear safety glasses or safety goggles when operating this machine.



WARNING: Your Responsibility—Restrict the use of this power machine to persons who read, understand and follow the warnings and instructions in this manual and on the machine.

SAVE THESE INSTRUCTIONS!

Contents of Carton

- One Chipper Shredder
- One Operator's Manual
- One Engine Operator's Manual
- One Tow Bar
- One Bag
- One Safety Glasses
- One Bottle of Oil

Assembly

NOTE: This unit is shipped without gasoline or oil in the engine. Fill up gasoline and oil as instructed in the accompanying engine manual BEFORE operating your chipper shredder.

Chipper Chute (Model Series CS 3210 Only)

For shipping reasons, the unit is crated with its chipper chute in a raised position. To pivot it downward, proceed as follows:

1. Pull the spring latch upward.
2. Gently pivot the chipper chute down until it clicks into the lock rod. See Fig. 3-1.

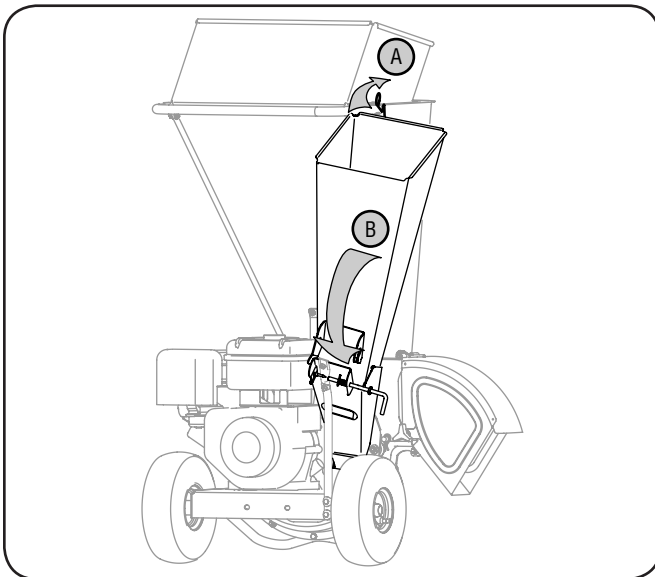


Figure 3-1



WARNING: Never operate the chipper shredder with the chipper chute in the raised position. Doing so may result in property damage or serious injury to the operator or bystanders.

Bag

To attach the bag:

1. Place the opening of the bag completely over the chute deflector. See Fig. 3-2.

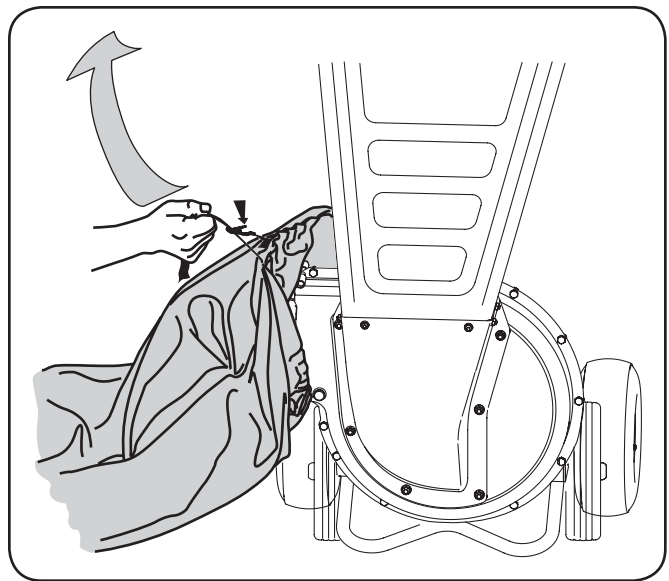


Figure 3-2

2. Position the bag so that the wing knobs which secure the chute deflector to the impeller housing are completely covered.
3. Pull on the draw-strap until the bag is tight around chute deflector opening.

Tow Bar

To attach the tow bar:

1. Remove the spring pin and clevis pin from the end of the tow bar receiver. See Fig. 3-3.

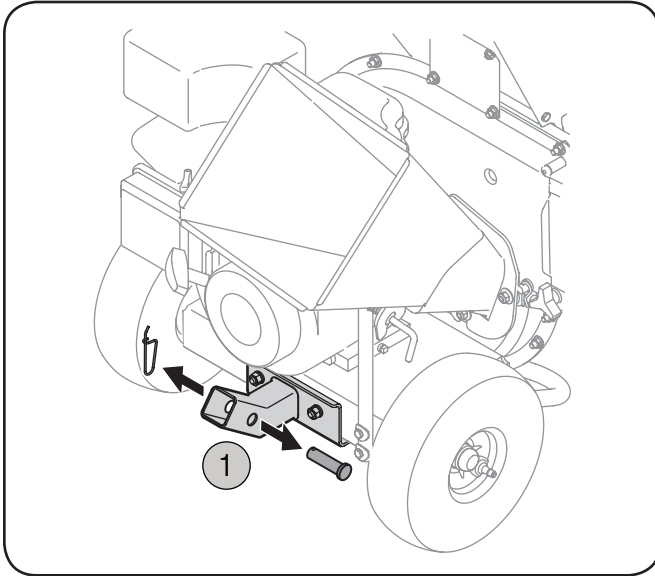


Figure 3-3

2. Insert the tow bar into the receiver.
3. Reinsert the clevis pin through aligning holes in both the tow bar and the receiver.
4. Fasten with the spring pin to secure. See Fig. 3-4.

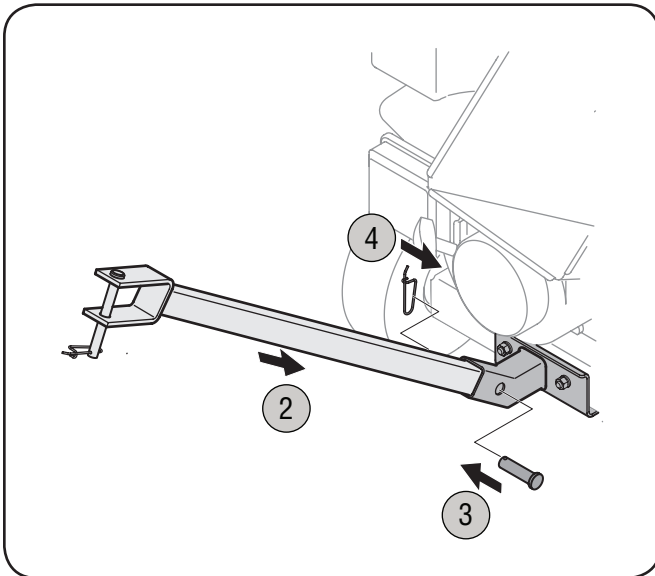


Figure 3-4

Set-Up

Gas and Oil Fill-Up

Refer to the separate engine owner's manual for additional engine information.

1. Add oil provided before starting unit for the first time out of the box.
2. Service the engine with gasoline as instructed in the separate engine owner's manual.



WARNING: Use extreme care when handling gasoline. Gasoline is extremely flammable and the vapors are explosive. Never fuel the machine indoors or while the engine is hot or running. Extinguish cigarettes, cigars, pipes and other sources of ignition.



WARNING: Never fill fuel tank indoors with engine running or until the engine has been allowed to cool for at least two minutes after running.

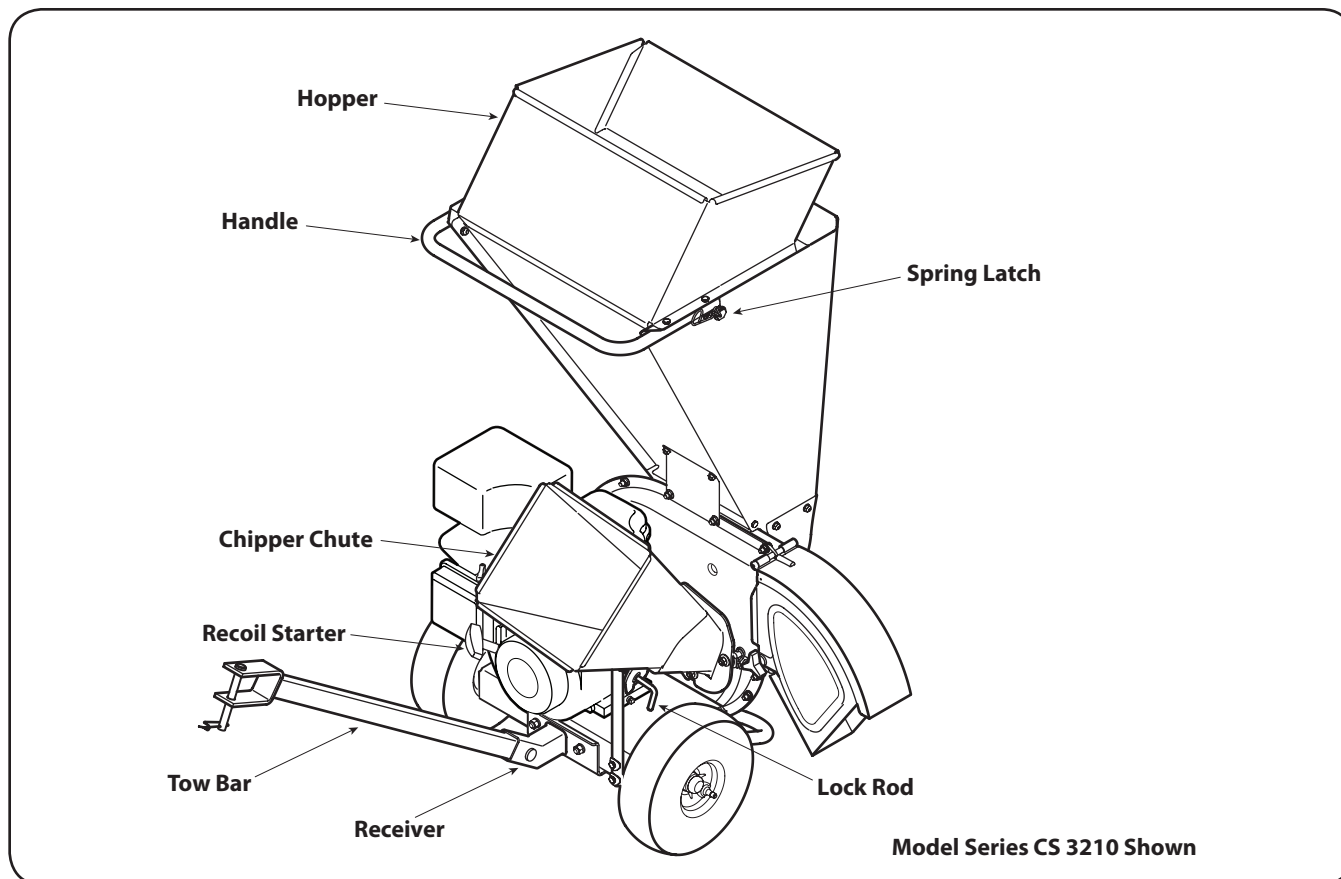


Figure 4-1

Chipper Chute

Branches up to two inches (model series CS 2210) or three inches (model series CS 3210) in diameter may be fed into the chipper chute for chipping.

Hopper

Leaves, twigs, and branches up to 1/2-inch in diameter may be placed into the hopper for shredding. See Fig. 4-1.

IMPORTANT: Never place branches with a diameter greater than 1/2-inch in the hopper. Doing so can result in serious damage to your unit's shredder blade, flails or impeller.

Tow Bar

Use the tow bar to tow the chipper shredder behind a tractor to a job site.

Handle

Use the handle when manually transporting the chipper shredder.

Recoil Starter

The recoil starter is located on the engine. Pull the recoil starter to start engine.

Engine Controls

See the engine Owner/Operator manual packed with your unit for the location and function of the controls on the engine.

Spring Latch (Model Series CS 3210 Only)

The spring latch is located on the top of the hopper. It is used to release or lock the chipper chute in a raised position for storage or for transporting. See Fig. 4-1.



WARNING: Never operate the chipper shredder with the chipper chute in the raised position. Use the spring latch to lower the chipper chute into the operating position before starting the engine.

Lock Rod (Model Series CS 3210 Only)

The lock rod is located on the chipper chute support. It is used to release or lock the chipper chute in a lowered position for operation.



WARNING: The operation of any chipper shredder can result in foreign objects being thrown into the eyes, which can damage your eyes severely. Always wear the safety glasses provided with this unit or eye shields before chipping or shredding and while performing any adjustments or repairs.

Starting Engine

IMPORTANT: Because this manual covers several different model units, different starting instructions may apply to your particular engine. Some engines may have a fuel petcock, some may not. Some engines may have On/Off switches, other may not. Some units will utilize a choke system, while others will require priming. These factors depend on what make and model engine comes with your particular unit. For these reasons, please refer to the engine operator's manual for the correct starting procedure.

Basic Starting Procedure:

1. Attach spark plug wire to spark plug. Make certain the metal cap on the end of the spark plug is fastened securely over metal tip on the spark plug.
2. Open fuel shut-off valve (if equipped) and make sure the On/Off switch is in the On position (if equipped).
3. Move choke control lever to CHOKE position, if equipped. See Fig. 5-1. If the unit has a primer, prime the motor as instructed in the engine operator's manual.

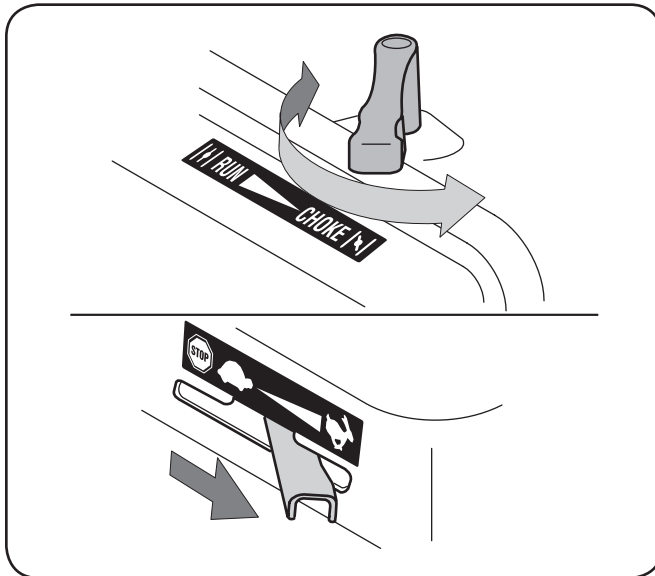


Figure 5-1

NOTE: A warm engine may not require choking or priming.

4. Move throttle control lever to FAST position (if equipped). See Fig. 5-1.
5. Grasp starter handle and pull rope out slowly until engine reaches start of compression cycle (rope will pull slightly harder at this point).

NOTE: A "clanking" noise may be heard when pulling the starter rope. It is completely normal and does NOT indicate a malfunction of any kind.

6. Pull rope with a rapid, continuous, full arm stroke. Keep a firm grip on starter handle. Let rope rewind slowly.
7. Repeat the previous steps until engine starts. When engine starts, move choke control gradually to RUN position until the engine is running smoothly.



WARNING: Never run the engine indoors or in a poorly ventilated area. Engine exhaust contains carbon monoxide, an odorless and deadly gas.

Stopping Engine

1. Move throttle control lever to STOP position (if equipped) or push rocker switch to OFF. See Fig. 5-2.

NOTE: See your engine manual packed with your unit for more detailed instructions.

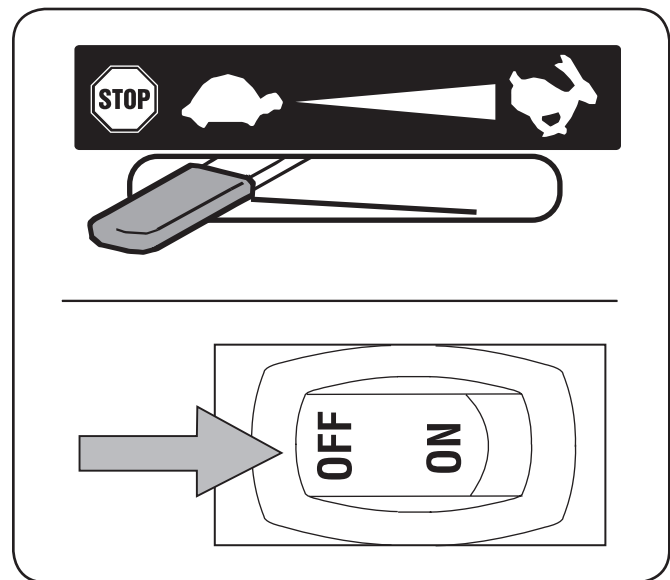


Figure 5-2



CAUTION: Never stop the engine by moving the choke lever into the CHOKE position. Backfire, fire or engine damage could result.

Shredding

Yard waste such as leaves and pine needles can be placed in the hopper for shredding. After material has been processed by the shredder blade and flails, it will be forced out of the chute deflector, and, if attached, into a debris collection bag.

Observe the following guidelines when shredding yard debris:

- Never attempt to shred material other than normal yard debris (leaves, twigs, pine cones, etc.).
- Avoid shredding fibrous plants such as tomato vines until they are thoroughly dried out. Fresh vines do not shred well and tend to wrap themselves around the impeller and flails.
- Place reasonable amounts of debris into the hopper at a time. Do not overload the hopper.
- Allow the material in the hopper to be drawn into the blades and shredded before adding additional debris to the hopper. Failure to do so may result in a clogged hopper, clogged chute deflector or a stalled engine.
- Avoid placing twigs longer than 24 inches into the hopper. Twigs longer than 24 inches may result in a clogged hopper.

IMPORTANT: Never place branches with a diameter greater than 1/2-inch in the hopper. Doing so can result in serious damage to the unit's shredder blade, flails or impeller.

Clearing the Hopper

Should the hopper become clogged with debris during operation, proceed as follows:

1. Grasp the handle with both hands and gently agitate the chipper shredder to help loosen debris, drawing it into the impeller.

If the clog does not clear, proceed as follows:

1. Stop engine.
2. Use your hands to remove any debris found near the top of the hopper.
3. Use a branch (or other available device, i.e. broomstick) to dislodge debris located toward the base of the hopper.
4. Restart engine.

NOTE: If you're unable to pull the starter rope as a result of accumulated debris near the impeller, follow instructions under the heading Cleaning the Reduction Chamber in the "Maintenance & Adjustments" section of this manual.

Chipping



WARNING: Never operate the chipper shredder without chipper chute lowered into the operating position.

Branches up to two inches (model series CS 2210) or three inches (model series CS 3210) in diameter can be fed into the chipper chute. Observe the following guidelines when chipping branches:

- Keep both hands firmly on the branch as you feed it into the chipper chute.
- Never feed more than one branch into the chipper chute at a time.
- Never feed anything other than branches (or wood) into the chipper chute.
- Apply intermittent pressure (force, in short pulses) while feeding larger branches into the chipper chute, to avoid bogging or stalling the engine.

IMPORTANT: Never feed branches with a diameter greater than two (2) inches (Model Series CS 2210) or three (3) inches (model series CS 3210) into the chipper chute. Doing so can result in serious damage to your unit's chipper blades, flails or impeller.

NOTE: For best performance, always operate the unit with sharp chipper blades. If a noticeable loss in performance is encountered while chipping branches, the chipper blades should be replaced.

Emptying the Bag

1. Stop engine.
2. Squeeze the locking buckle to release the bag's drawstrap before loosening it from the chute deflector. See Fig. 5-3.

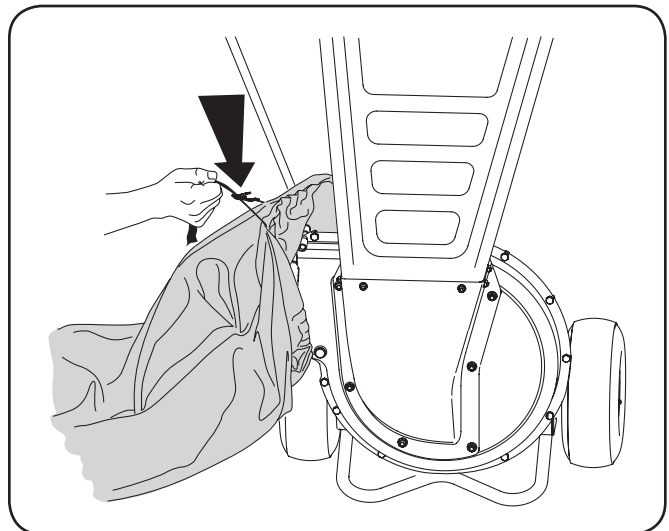


Figure 5-3

3. Empty the bag and reattach to the chute deflector opening. Refer to the "Set-Up & Adjustments" section of this manual.

Maintenance

General Recommendations

- Always observe safety rules when performing any maintenance.
- The warranty on this chipper shredder does not cover items that have been subjected to operator abuse or negligence. To receive full value from warranty, operator must maintain the equipment as instructed here.
- Changing of engine-governed speed will void engine warranty.
- All adjustments should be checked at least once each season.
- Periodically check all fasteners and make sure these are tight.



WARNING: Always stop engine, disconnect spark plug, and ground against engine before, cleaning, lubricating, or performing any type of maintenance on your machine.

Lubrication

1. Lubricate the chipper chute hinge with a light oil once a season.
2. Lubricate the pivot points on the chute deflector with light oil once a season.
3. Follow the separate engine manual packed with your unit for engine lubrication instructions.

Equipment Care

- Clean the chipper shredder thoroughly after each use.
- Wash bag periodically with water. Allow to dry thoroughly in shade.
- If the reduction chamber becomes clogged, remove and clean as instructed below.
- Allow the unit to run and clear out all debris for a short time before shutting the unit down before storage.

NOTE: Cleaning with a forceful spray of water is not recommended as it could contaminate the fuel system.

Engine Care

Refer to the Maintenance section of the Engine Owner/ Operator manual packed with your unit. Read and follow instructions carefully.

- Check engine oil level before each use as instructed in the separate engine manual.
Note: When draining or changing the oil: a 90 degree elbow has been installed on the engine's oil drain to facilitate the oil change process. This oil drain elbow passes through a hole in frame. The oil is drained from below the frame. With this in mind, follow the Engine Owner/ Operator manual packed with your unit for oil change instructions.
- Clean or replace air cleaner every 25 hours under normal conditions. Clean every few hours under extremely dusty conditions. To service the air cleaner, refer to the engine manual.
- The spark plug should be cleaned and the gap reset once a season. Check engine manual for correct plug type and gap specifications.
- Clean engine regularly with a cloth or brush. Keep the top of the engine clean to permit proper air circulation. Remove all grass, dirt, and combustible debris from muffler area.

Cleaning The Reduction Chamber



WARNING: The impeller's shredder blade and chipper blades are sharp. Wear leather work gloves to protect your hands when cleaning out the reduction chamber.

If the reduction chamber becomes clogged with debris, the shredder screen can be pivoted upward so that you can clean the surrounding area. To do so, proceed as follows:

1. Stop engine, disconnect spark plug, and make certain the chipper shredder has come to a complete stop.



WARNING: The muffler and surrounding area will be hot if the engine has been running. Use caution and protect your hands if working near the muffler.

2. If attached, remove debris bag. Remove the two wing knobs on either side of the chute deflector and pivot the chute deflector upward. See Fig. 6-1A.

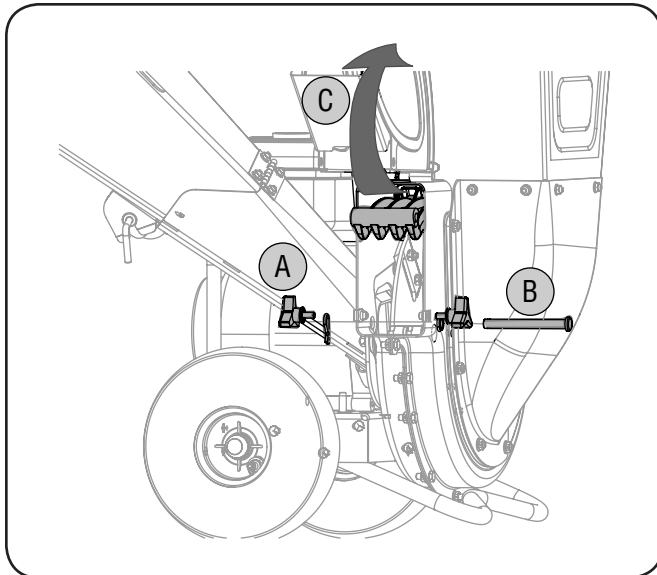


Figure 6-1

3. Remove the hairpin clip from the clevis pin which extends through the housing and shredder screen. See Fig. 6-1B. Remove clevis pin.
4. Pivot the shredder screen upward. See Fig. 6-1C. Clean the surrounding area by scraping away debris.
5. Confirm that the spark plug wire is disconnected and away from spark plug. Pull on the starter rope two-to-three times to purge any remaining debris from the reduction chamber.
6. When the area is cleaned, pivot the shredder screen downward and re-secure with the clevis pin and hairpin clip removed earlier.
7. Reattach the debris collection bag to the chute deflector, if desired.

Blade Care

Chipper Blades



WARNING: The impeller's chipper blades are sharp. Wear leather work gloves to protect your hands.

1. Stop engine, disconnect spark plug, and make certain the chipper shredder has come to a complete stop.
2. Pivot the shredder screen upward as instructed under the heading Cleaning the Reduction Chamber.
3. Remove the chipper chute support brace from the frame by removing the two hex bolts and saddle washers which secure it. See Fig. 7-1A.

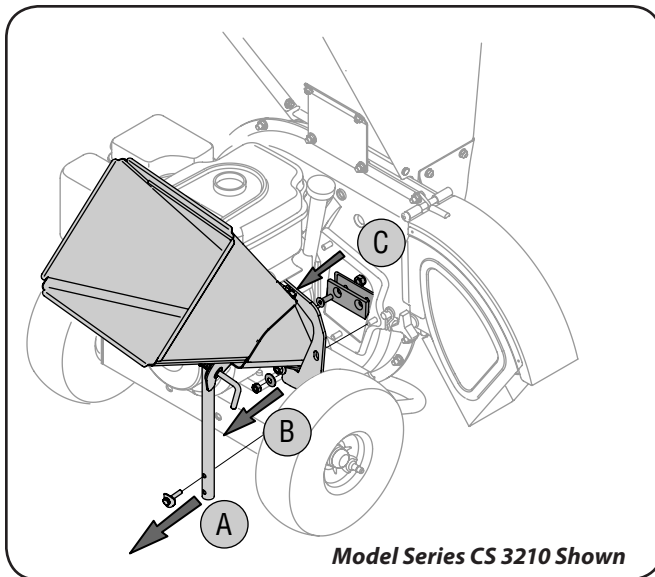


Figure 7-1

4. Remove the chipper chute by removing three hex nuts and washers which secure it to the impeller housing. See Fig. 7-1B.
5. Rotate the impeller by hand until one of the two chipper blades is visible through the impeller housing opening.
6. Remove the blade by removing the internal hex screws, lock washers and hex nuts which secure it to the impeller. See Fig. 7-1C. Retain the hardware.

NOTE: Use a 3/16" hex key (Allen) wrench on the outside of the blade and a 1/2" box (or socket) wrench on the inside of the impeller. Hold the Allen wrench stationary and rotate the box (or socket) wrench to loosen the nut.

7. Install a replacement blade (Part No. 742-0544) with the hardware removed earlier or sharpen.

IMPORTANT: When sharpening the blade, protect hands by using gloves. Follow the original angle of grind and make sure to remove an equal amount from each blade.

8. To replace the other blade, rotate the impeller to expose the second blade and repeat the steps above.

NOTE: Make certain blades are reassembled with the sharp edge outward (toward the chipper chute). Torque hardware to between 20 ft.-lbs and 25 ft.-lbs.

Shredder Blade



WARNING: The shredder blade is sharp. Wear leather work gloves to protect your hands.

1. Stop engine, disconnect spark plug, and make certain that all moving parts have come to a complete stop.
2. Remove the two flange nuts (and hex bolts) which secure the hopper support bracket to the impeller housing. Retain the hardware. See Fig. 7-2.

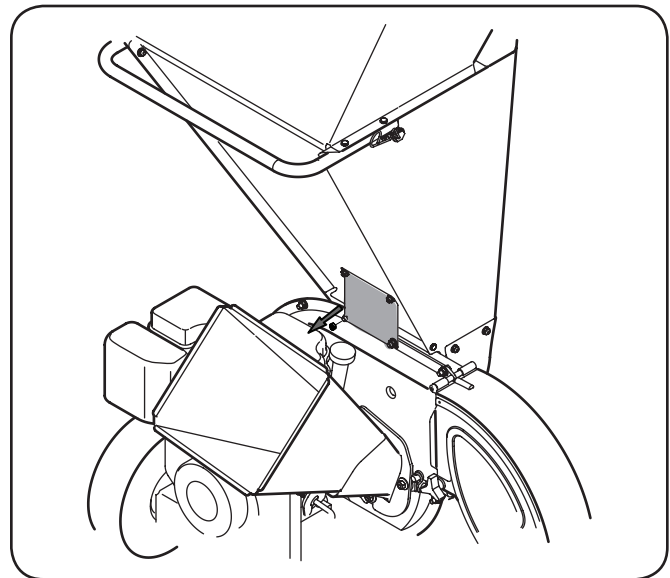


Figure 7-2

3. Pivot the shredder screen upward as instructed under the heading Cleaning the Reduction Chamber.

- Remove six flange nuts which secure hopper inlet guide to impeller housing. See Fig. 7-3A.

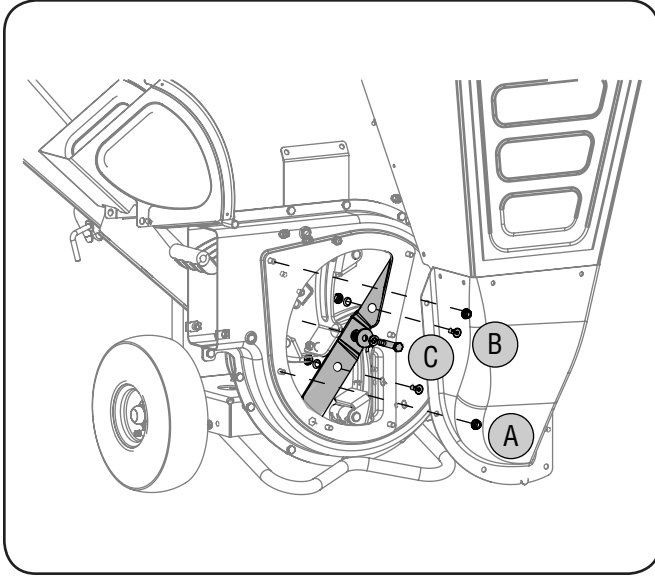


Figure 7-3

- Carefully separate the hopper assembly from the impeller housing and set it aside.
- Insert a piece of wood into the chute deflector opening to stabilize the impeller and prevent it from rotating when removing the shredder blade.

- Remove the two internal hex screws, hex lock nuts, and lock washers which secure the shredder blade to the impeller. See Fig. 7-3B.

NOTE: Use a 3/16" hex key (Allen) wrench on the outside of the shredder blade and a 1/2" box (or socket) wrench on the inside of the shredder blade. Hold the Allen wrench stationary and rotate the box (or socket) wrench to loosen the nut.

- Remove the hex bolt, lock washer, and flat washer to completely free shredder blade. See Fig. 7-3C.

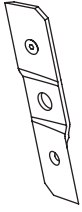
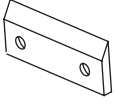
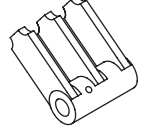
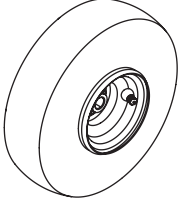
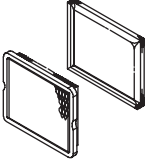


IMPORTANT: If sharpening the blade for reuse, follow the original angle of grind as a guide. Make certain each cutting edge receives an equal amount of grinding to prevent an unbalanced blade. Remove metal from the heavy side until it is balanced evenly.

IMPORTANT: When reassembling the blade, tighten center bolt to between 45 ft.-lbs and 58 ft.-lbs and the two out bolts to between 20 ft.-lbs and 25 ft.-lbs.

Off-Season Storage

- Allow the unit to run and clear out all debris for a short time before shutting the unit down before storage.
- When storing the chipper shredder in an unventilated or metal storage shed, care should be taken to rustproof the non-painted surfaces. Using a light oil or silicone, coat the equipment, especially any springs, bearings, and cables.
- Remove all dirt from exterior of engine and equipment.
- Follow lubrication recommendations.
- Refer to engine manual for correct engine storage instructions.
- Store equipment in a clean, dry area. Do not store in an area where equipment is present that may use a pilot light or has a component that can create a spark.

Problem	Cause	Remedy
Engine Fails to start	<ol style="list-style-type: none"> 1. Throttle lever not in correct starting position. 2. Spark plug wire disconnected. 3. Choke not in CHOKE position (if equipped). 4. Fuel tank empty or stale fuel. 5. Engine not primed (if equipped). 6. Faulty spark plug. 7. Blocked fuel line. 8. Engine flooded. 	<ol style="list-style-type: none"> 1. Move throttle lever to FAST or START position. 2. Connect wire to spark plug. 3. Move choke lever to CHOKE position. 4. Fill tank with clean, fresh gasoline. 5. Prime engine as instructed in Engine Manual. 6. Clean, adjust gap, or replace. 7. Clean fuel line. 8. Wait a few minutes to restart, but do not prime.
Engine runs erratic	<ol style="list-style-type: none"> 1. Spark plug boot loose. 2. Unit running on CHOKE (if equipped). 3. Blocked fuel line or stale fuel. 4. Low engine RPM. 5. Water or dirt in fuel system. 6. Dirty air cleaner. 7. Carburetor out of adjustment. 	<ol style="list-style-type: none"> 1. Connect and tighten spark plug boot. 2. Move choke lever to OFF position. 3. Clean fuel line; fill tank with clean, fresh gasoline. 4. Always run engine at full throttle. 5. Drain fuel tank. Refill with fresh fuel. 6. Refer to engine manual. 7. See authorized service dealer.
Engine overheats	<ol style="list-style-type: none"> 1. Engine oil level low. 2. Dirty air cleaner. 3. Carburetor not adjusted properly. 	<ol style="list-style-type: none"> 1. Fill crankcase with proper oil. 2. Refer to engine manual. 3. See authorized service dealer.
Occasional skips (hesitates) at high speed	<ol style="list-style-type: none"> 1. Spark plug gap too close. 2. Carburetor idle mixture adjustment improperly set. 	<ol style="list-style-type: none"> 1. Remove spark plug and adjust gap to .030". 2. See authorized service dealer.
Excessive Vibration	<ol style="list-style-type: none"> 1. Loose parts or damaged impeller. 	<ol style="list-style-type: none"> 2. See authorized service dealer.
Unit does not discharge	<ol style="list-style-type: none"> 1. Discharge area clogged. 2. Foreign object lodged in impeller. 3. Low engine RPM. 	<ol style="list-style-type: none"> 1. Stop engine immediately and disconnect spark plug wire. Clean flail screen and inside of discharge opening. 2. Stop engine and disconnect spark plug wire. Remove lodged object. 3. Always run engine at full throttle.
Rate of discharge slows considerably or composition of discharged material changes	<ol style="list-style-type: none"> 1. Low engine RPM. 2. Chipper blade dull. 	<ol style="list-style-type: none"> 1. Always run engine at full throttle. 2. Replace chipper blade or see your authorized service dealer.

Component	Part Number and Description
	942-04050 Shredder Blade
	942-0544 Chipper Blade
	719-04308 Flail Blade (3 total)
	634-04627 10 x 4.0 Pneumatic Wheel with Bearings
	BS-491588S Air Filter Cartridge BS-491435S Air Filter (Pre-Cleaner)
	759-3336 Spark Plug
	BS-792647 Fuel Tank Cap

Phone (800) 965-4CUB to order replacement parts or a complete Parts Manual (have your full model number and serial number ready). Parts Manual downloads are also available free of charge at www.cubcadet.com.

CUB CADET LLC
MANUFACTURER'S LIMITED WARRANTY FOR
CHIPPER-SHREDDERS & CHIPPER-SHREDDER VACUUMS

The limited warranty set forth below is given by Cub Cadet LLC with respect to new merchandise purchased and used in the United States, its possessions and territories, and by MTD Products Limited with respect to new merchandise purchased and used in Canada and/or its territories and possessions.

"Cub Cadet" warrants this product (excluding its *Normal Wear Parts* as described below) against defects in material and workmanship for a period of two (2) years commencing on the date of original purchase and will, at its option, repair or replace, free of charge, any part found to be defective in materials or workmanship. This limited warranty shall only apply if this product has been operated and maintained in accordance with the Operator's Manual furnished with the product, and has not been subject to misuse, abuse, commercial use, neglect, accident, improper maintenance, alteration, vandalism, theft, fire, water, or damage because of other peril or natural disaster. Damage resulting from the installation or use of any part, accessory or attachment not approved by Cub Cadet for use with the product(s) covered by this manual will void your warranty as to any resulting damage.

Normal Wear Parts are warranted to be free from defects in material and workmanship for a period of thirty (30) days from the date of purchase. Normal wear parts include, but are not limited to items such as: belts, blades, debris collection bags, wheels and tires.

HOW TO OBTAIN SERVICE: Warranty service is available, WITH PROOF OF PURCHASE, through your local authorized service dealer. To locate the dealer in your area:

In the U.S.A.

To locate the dealer in your area, check your Yellow Pages, or contact Cub Cadet LLC at P.O. Box 361131, Cleveland, Ohio 44136-0019, call 1-877-282-8684, or log on to our Web site at www.cubcadet.com.

In Canada

Contact MTD Products Limited, Kitchener, ON N2G 4J1, call 1-800-668-1238 or log on to our Web site at www.mtdcanada.com.

This limited warranty does not provide coverage in the following cases:

- a. The engine or component parts thereof. These items may carry a separate manufacturer's warranty. Refer to applicable manufacturer's warranty for terms and conditions.
- b. Log splitter pumps, valves, and cylinders have a separate one year warranty.
- c. Routine maintenance items such as lubricants, filters, blade sharpening, tune-ups, brake adjustments, clutch adjustments, deck adjustments, and normal deterioration of the exterior finish due to use or exposure.

- d. Cub Cadet does not extend any warranty for products sold or exported outside of the United States and/or Canada, and their respective possessions and territories, except those sold through Cub Cadet's authorized channels of export distribution.
- e. Replacement parts that are not genuine Cub Cadet parts.
- f. Service completed by someone other than an authorized service dealer.
- g. Transportation charges and service calls.
- h. Cub Cadet does not warrant this product for commercial use.

No implied warranty, including any implied warranty of merchantability of fitness for a particular purpose, applies after the applicable period of express written warranty above as to the parts as identified. No other express warranty, whether written or oral, except as mentioned above, given by any person or entity, including a dealer or retailer, with respect to any product, shall bind Cub Cadet. During the period of the warranty, the exclusive remedy is repair or replacement of the product as set forth above.

The provisions as set forth in this warranty provide the sole and exclusive remedy arising from the sale. Cub Cadet shall not be liable for incidental or consequential loss or damage including, without limitation, expenses incurred for substitute or replacement lawn care services or for rental expenses to temporarily replace a warranted product.

Some states do not allow the exclusion or limitation of incidental or consequential damages, or limitations on how long an implied warranty lasts, so the above exclusions or limitations may not apply to you.

In no event shall recovery of any kind be greater than the amount of the purchase price of the product sold. **Alteration of safety features of the product shall void this warranty.** You assume the risk and liability for loss, damage, or injury to you and your property and/or to others and their property arising out of the misuse or inability to use the product.

This limited warranty shall not extend to anyone other than the original purchaser or to the person for whom it was purchased as a gift.

HOW STATE LAW RELATES TO THIS WARRANTY: This limited warranty gives you specific legal rights, and you may also have other rights that vary in different jurisdictions.

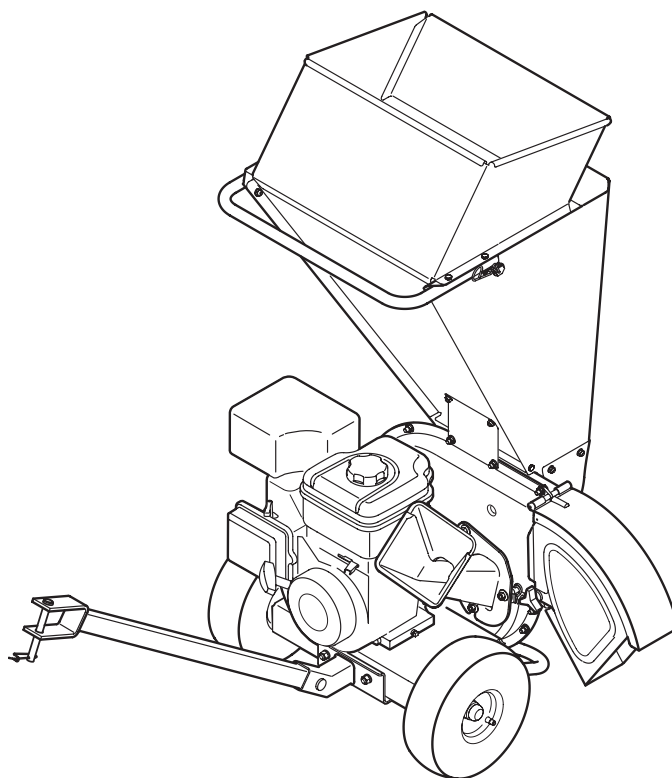
IMPORTANT: Owner must present Original Proof of Purchase to obtain warranty coverage.

Cub Cadet LLC, P.O. BOX 361131 CLEVELAND, OHIO 44136-0019; Phone: 1-877-282-8684
MTD Canada Limited - KITCHENER, ON N2G 4J1; Phone 1-800-668-1238

Medidas importantes de seguridad • Configuración • Funcionamiento • Mantenimiento • Servicio •
Solución de problemas • Garantía

Cub Cadet.

MANUAL DEL OPERADOR



Modelo Serie CS 2210

Cortadora Trituradora — Modelo Serie CS 2210 Y CS 3210

⚠ ADVERTENCIA

LEA Y SIGA TODAS LAS INSTRUCCIONES DE ESTE MANUAL ANTES DE PONER EN
FUNCIONAMIENTO ESTA MÁQUINA.
SI NO RESPETA ESTAS INSTRUCCIONES PUEDE PROVOCAR LESIONES PERSONALES.

CUB CADET LLC, P.O. BOX 361131 CLEVELAND, OHIO 44136-0019

Gracias

Gracias por comprar una trituradora astilladora fabricada por Cub Cadet LLC LLC. La misma ha sido diseñada cuidadosamente para brindar excelente rendimiento si se la opera y mantiene correctamente.

Por favor lea todo este manual antes de operar el equipo. Le indica cómo configurar, operar y mantener la máquina con seguridad y fácilmente. Por favor asegúrese de seguir cuidadosamente y en todo momento las prácticas de seguridad recomendadas, y hacérselas seguir a cualquier otra persona que opere la máquina. En caso de no hacerlo podrían producirse lesiones personales o daños materiales.

Toda la información contenida en este manual hace referencia a la más reciente información de producto disponible en el momento de la impresión. Revise el manual frecuentemente para familiarizarse con la unidad, sus características y funcionamiento. Por favor tenga en cuenta que este Manual del Operador puede cubrir una gama de especificaciones de productos de diferentes modelos. Las características y funciones incluidas y/o ilustradas en este manual pueden no ser aplicables a todos los modelos. Cub Cadet se reserva el derecho de

modificar las especificaciones de los productos, los diseños y el equipo estándar sin previo aviso y sin generar responsabilidad por obligaciones de ningún tipo.

Si tiene algún problema o duda respecto a la unidad, llame a un distribuidor de servicio Cub Cadet autorizado o póngase en contacto directamente con nosotros. Los números de teléfono, dirección del sitio web y dirección postal de la Asistencia al Cliente de Cub Cadet se encuentran en esta página. Queremos garantizar su entera satisfacción en todo momento.

En este manual, las referencias al lado *derecho* o *izquierdo* de la máquina se observan desde la posición del operador.

El fabricante del motor es el responsable de todas las cuestiones relacionadas con el rendimiento, potencia de salida, especificaciones, garantía y mantenimiento del motor. Para obtener mayor información consulte el Manual del Propietario / Operador entregado por el fabricante del motor, que se envía, en un paquete por separado, junto con su unidad.

Índice

Importante Medidas importantes de seguridad	24	Servicio	35
Ensamblado y Configuración	28	Solución de Problemas	37
Controles y Características	30	Replacement Parts	39
Funcionamiento	31	Warranty	Contraportada
Mantenimiento y Ajustes	33		

Registro de información de producto

Antes de configurar y operar su equipo nuevo, por favor localice la placa del modelo en el equipo y registre la información en el área situada a la derecha. Si tiene que solicitar soporte técnico a través de nuestro sitio web, el Departamento de Asistencia al Cliente, o de un distribuidor de servicio autorizado local, necesitará esta información.

NÚMERO DE MODELO

--	--	--	--	--	--	--	--	--	--	--	--

NÚMERO DE SERIE

--	--	--	--	--	--	--	--	--	--	--	--

Asistencia al Cliente

Por favor, NO devuelva la unidad al minorista o distribuidor sin ponerse en contacto primero con el Departamento de Asistencia al Cliente.

En caso de tener problemas para montar este producto o de tener dudas con respecto a los controles, funcionamiento o mantenimiento del mismo, puede solicitar la ayuda de expertos. Elija entre las opciones que se presentan a continuación:

- ◇ Visite nuestro sitio web en www.cubcadet.com
- ◇ Llame a un representante de Asistencia al Cliente al (800) 965-4CUB
- ◇ Escribanos a Cub Cadet LLC • P.O. Box 361131 • Cleveland, OH • 44136-0019

Medidas importantes de seguridad

2



ADVERTENCIA: La presencia de este símbolo indica que se trata de instrucciones importantes de seguridad que se deben respetar para evitar poner en peligro su seguridad personal y/o material y la de otras personas. Lea y siga todas las instrucciones de este manual antes de poner en funcionamiento esta máquina. Si no respeta estas instrucciones puede provocar lesiones personales.

Cuando vea este símbolo - **¡TENGA EN CUENTAS LAS ADVERTENCIAS!**

PROPOSICIÓN 65 DE CALIFORNIA



ADVERTENCIA: El escape del motor de este producto, algunos de sus componentes y algunos componentes del vehículo contienen o liberan sustancias químicas que el estado de California considera que pueden producir cáncer, defectos de nacimiento u otros problemas reproductivos.



PELIGRO: Esta máquina está diseñada para ser utilizada respetando las normas de seguridad contenidas en este manual. Al igual que con cualquier tipo de equipo motorizado, un descuido o error por parte del operador puede producir lesiones graves. Esta máquina es capaz de amputar dedos, manos y pies y de arrojar objetos extraños con gran fuerza. De no respetar las instrucciones de seguridad siguientes se pueden producir lesiones graves o la muerte.

Capacitación

1. Lea, entienda y cumpla todas las instrucciones incluidas en la máquina y en los manuales antes de montarla y utilizarla. Guarde este manual en un lugar seguro para consultas futuras y regulares, así como para solicitar repuestos.
2. Familiarícese con todos los controles y su operación adecuada. Sepa cómo detener la máquina y cómo desengranar los controles rápidamente.
3. No permita nunca que los niños menores de 16 años utilicen esta máquina. Los niños de 16 años y más mayores deben leer y comprender las instrucciones de operación y las reglas de seguridad contenidas en este manual, y también deben ser capacitados y estar supervisados por uno de los padres.
4. Nunca permita que los adultos operen esta máquina sin recibir antes la instrucción apropiada.
5. Mantenga a los transeúntes, ayudantes, mascotas y niños al menos a 75 pies de la máquina mientras está operando. Detenga la máquina si alguien entra en la zona.
6. Nunca encienda un motor en espacios cerrados o en una zona con poca ventilación. El escape del motor contiene monóxido de carbono, un gas inodoro y letal.
7. No ponga las manos o los pies cerca de las piezas rotatorias o en las cámaras de alimentación ni en la abertura de descarga. El contacto con el motor rotatorio puede producir la amputación de dedos, manos o pies.

8. Nunca trate de destapar la toma de alimentación o la abertura de descarga, ni trate de sacar o vaciar la bolsa de la aspiradora, ni de revisar y reparar la máquina mientras el motor está en marcha. Apague el motor y espere hasta que todas las piezas móviles se hayan detenido por completo. Desconecte el cable de la bujía y póngalo de manera que haga masa contra el motor.

Preparativos

1. Inspeccione minuciosamente el área donde utilizará el equipo. Retire todas las piedras, botellas, latas u otros objetos extraños que puedan ser levantados o arrojados causando lesiones personales o daños a la máquina.
2. Para protegerse los ojos utilice siempre anteojos o antiparras de seguridad mientras opera la máquina o mientras la ajusta o repara. Los objetos arrojados que rebotan pueden lesionar gravemente la vista.
3. Utilice zapatos de trabajo resistentes, de suela fuerte, así como pantalones y camisas ajustados. Las prendas sueltas o las alhajas pueden quedar atrapadas en las piezas móviles. Nunca utilice la máquina descalzo o con sandalias. Utilice guantes de trabajo de cuero cuando alimente material por el canal de la cortadora.
4. Antes de encender la máquina controle que todos los pernos y tornillos estén bien ajustados para comprobar que la máquina se encuentra en condiciones seguras de operación. Además, realice una inspección visual de la máquina a intervalos frecuentes para controlar si la misma está dañada.
5. Mantenga o reemplace las etiquetas de seguridad e instrucciones según sea necesario.

Manejo seguro de la gasolina

Para evitar lesiones personales o daños materiales sea sumamente cuidadoso al manipular la gasolina. La gasolina es altamente inflamable y sus vapores pueden causar explosiones. Se puede lesionar gravemente si derrama gasolina sobre usted o sobre la ropa ya que se puede encender. Lávese la piel y cámbiese de ropa de inmediato.

1. Utilice sólo recipientes para gasolina autorizados.
2. Nunca llene los contenedores en el interior de un vehículo o camión o caja de camioneta con recubrimientos plásticos. Coloque siempre los recipientes en el piso y lejos del vehículo antes de llenarlos.
3. Retire el equipo a gasolina del camión o remolque y llénelo en el piso. Si esto no es posible, entonces llene dicho equipo en un remolque con un recipiente portátil, en vez de desde un dispensador de gasolina.
4. Mantenga la boquilla de llenado en contacto con el borde de la entrada del tanque de gasolina o contenedor en todo momento hasta que esté lleno. No utilice un dispositivo para abrir/cerrar la boquilla.
5. Apague todos los cigarrillos, cigarras, pipas y otras fuentes de combustión.
6. Nunca cargue combustible en la máquina en un espacio cerrado.
7. Nunca saque la tapa del gas ni agregue combustible mientras el motor está caliente o en marcha. Deje que el motor se enfríe por lo menos dos minutos antes de volver a cargar combustible.
8. Nunca recargue el tanque de combustible. Llene el tanque no más de 1/2 pulgada por debajo de la base del cuello del filtro para dejar espacio para la dilatación del combustible.
9. Vuelva a colocar la tapa de la gasolina y ajústela bien.
10. Limpie la gasolina derramada sobre el motor y el equipo. Traslade la máquina a otra zona. Espere 5 minutos antes de encender el motor.
11. Nunca almacene la máquina o el recipiente de combustible en un espacio cerrado donde haya fuego, chispas o luz piloto (por ejemplo, hornos, calentadores de agua, calefactores, secadores de ropa, etc.)
12. Para reducir el riesgo de incendio mantenga la máquina limpia de pasto, hojas y de acumulación de otros desechos. Limpie los derrames de aceite o combustible y saque todos los desechos embebidos con combustible.

Operación

1. No ponga las manos o los pies cerca de las piezas rotatorias o en las cámaras de alimentación ni en la abertura de descarga. El contacto con el motor rotatorio puede producir la amputación de dedos, manos o pies.
2. Antes de encender la máquina compruebe que el canal de la cortadora, la toma de alimentación y la cámara de corte están vacías y sin desechos.
3. Inspeccione minuciosamente todo el material que desea triturar y saque los objetos metálicos, piedras, botellas, latas u otros objetos extraños que pueden ocasionar lesiones o dañar la máquina.

4. Si es necesario empujar el material por la tolva de la trituradora use un palo de diámetro pequeño. No utilice las manos ni los pies.
5. Si el motor golpea un objeto extraño o si la máquina empieza a producir un sonido poco común o una vibración, apague el motor de inmediato. Deje que el motor se detenga por completo. Desconecte el cable de la bujía, póngalo de manera que haga masa contra el motor y siga estos pasos:
 - a. Inspeccione la máquina para ver si está dañada.
 - b. Repare o reemplace las piezas dañadas.
 - c. Controle si hay piezas flojas y ajústelas para asegurar que la máquina funcione de manera segura y continua.
6. No permita que se acumule material procesado en la zona de descarga. El mismo puede obstaculizar la descarga adecuada y provocar el retorno del material a través de la abertura de alimentación.
7. No intente triturar ni picar material de mayor tamaño al especificado en la máquina o en este manual. Se podrían producir lesiones o daños.
8. Nunca trate de destapar la toma de alimentación o la abertura de descarga mientras el motor está en marcha. Apague el motor y espere hasta que todas las piezas que se mueven se hayan detenido por completo, desconecte el cable de la bujía y póngalo de manera que haga masa contra el motor antes de sacar los escombros.
9. Nunca opere la máquina sin que la tolva de la trituradora, el canal de la cortadora o el canal deflector estén correctamente conectados a la máquina. Nunca vacíe ni cambie la bolsa de descarga mientras el motor está en marcha.
10. Mantenga todos los protectores, desviadores y dispositivos de seguridad en su lugar y en buenas condiciones.
11. Mientras alimenta material dentro de la máquina mantenga su rostro y su cuerpo detrás y hacia un costado del canal de la cortadora para evitar lesiones por retrocesos accidentales.
12. Nunca opere esta máquina sin buena visibilidad o iluminación.
13. No opere esta máquina en superficies con grava.
14. No opere esta máquina estando bajo los efectos del alcohol o de drogas.
15. El silenciador y el motor se calientan y pueden producir quemaduras. No los toque.
16. Nunca levante o transporte la máquina cuando el motor está encendido.
17. Si se presentan situaciones que no están previstas en este manual sea cuidadoso y use el sentido común. Marque para contactar el departamento de atención al cliente y obtener el nombre de su distribuidor más cercano.

Mantenimiento y almacenamiento

1. Nunca manipule los dispositivos de seguridad de manera imprudente. Controle periódicamente que funcionen de forma adecuada.
2. Controle frecuentemente que todos los pernos y tornillos estén bien ajustados para comprobar que la máquina se encuentra en condiciones seguras de funcionamiento. Además, realice una inspección visual de la máquina para controlar si la misma está dañada y repárela de ser necesario.
3. Antes de limpiar, reparar o inspeccionar la máquina, detenga el motor y compruebe que el mismo y que todas las piezas móviles se hallan detenidos. Desconecte el cable de la bujía y póngalo de manera que haga masa contra el motor para evitar que se encienda de manera accidental.
4. No cambie la configuración del regulador del motor ni acelere demasiado el mismo. El regulador controla la velocidad máxima segura de operación del motor.
5. Mantenga o reemplace las etiquetas de seguridad e instrucciones según sea necesario.
6. Siga las instrucciones de este manual para cargar, descargar, transportar y almacenar de manera segura esta máquina.
7. Nunca almacene la máquina o el recipiente de combustible en un espacio cerrado donde haya fuego, chispas o luz piloto como por ejemplo, calentadores de agua, hornos, secadores de ropa, etc.
8. Deje que la máquina se enfríe por lo menos 5 minutos antes de guardarla.
9. Consulte siempre el manual del operador para conocer las instrucciones adecuadas para el almacenamiento fuera de temporada.
10. Si debe vaciar el tanque de combustible, hágalo al aire libre.
11. Respete las normas referentes a la disposición correcta y las reglamentaciones sobre gas, combustible, etc. para proteger el medio ambiente.

No modifique el motor

Para evitar lesiones graves o la muerte, no modifique el motor bajo ninguna circunstancia. Si cambia la configuración del regulador el motor puede descontrolarse y operar a velocidades inseguras. Nunca cambie la configuración de fábrica del regulador del motor.

Aviso referido a emisiones

Los motores que están certificados y cumplen con las regulaciones de emisiones federales EPA y de California para SORE (Equipos pequeños todo terreno) están certificados para operar con gasolina común sin plomo y pueden incluir los siguientes sistemas de control de emisiones: Modificación de motor (EM) y catalizador de tres vías (TWC) si están equipados de esa manera.

Guardachispas



ADVERTENCIA: Esta máquina está equipada con un motor de combustión interna y no debe ser utilizada en o cerca de un terreno agreste cubierto por bosque, malezas o hierba excepto si el sistema de escape del motor está equipado con un amortiguador de chispas que cumpla con las leyes locales o estatales correspondientes, en caso de haberlas.

Si se utiliza un amortiguador de chispas el operador lo debe mantener en condiciones de uso adecuadas. En el Estado de California las medidas anteriormente mencionadas son exigidas por ley (Artículo 4442 del Código de Recursos Públicos de California). Es posible que existan leyes similares en otros estados. Las leyes federales se aplican en territorios federales.

Puede conseguir el amortiguador de chispas para el silenciador a través de su distribuidor autorizado de motores o poniéndose en contacto con el departamento de servicios, P.O. Box 361131 Cleveland, Ohio 44136-0019.

Vida útil media

Según la Comisión de Seguridad de Productos para el Consumidor de los Estados Unidos (CPSC) y la Agencia de Protección Ambiental de los Estados Unidos (EPA), este producto tiene una *vida útil media* de siete (7) años, ó 60 horas de funcionamiento. Al finalizar la *vida útil media*, adquiera una máquina nueva o haga inspeccionar anualmente ésta por un distribuidor de servicio autorizado para cerciorarse de que todos los sistemas mecánicos y de seguridad funcionan correctamente y no tienen excesivo desgaste. Si no lo hace, pueden producirse accidentes, lesiones o muerte.




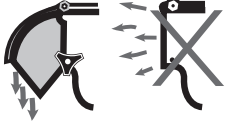



ADVERTENCIA: Su responsabilidad—Restrinja el uso de esta máquina motorizada a las personas que lean, comprendan y respeten las advertencias e instrucciones que figuran en este manual y en la máquina.

GUARDE ESTAS INSTRUCCIONES

Símbolos De Seguridad

Esta página representa y describe la seguridad los símbolos que pueden parecer en este producto. Lea, comprenda, y siga todas instrucciones en la máquina antes procurar para reunir y operar.

Símbolo	Descripción
	<p>LEA EL MANUAL(S) DEL OPERADOR</p> <p>Lea, comprenda, y siga todas instrucciones en el manual (manuales) antes procurar para reunir y operar</p>
	<p>ADVERTENCIA— GIRANDO HOJAS</p> <p>Mantenga manos fuera de aperturas de cala y descarga mientras máquina corre. Allí giran hojas adentro</p>
	<p>ESPECTADORES</p> <p>Mantenga a espectadores, los animales favoritos, y los niños por lo menos 75 pies de la máquina mientras está en la operación. Pare máquina si cualquiera entra el área.</p>
	<p>ADVERTENCIA— ESCOMBROS TIRADOS</p> <p>Nunca operar sin el deflector de tobogán conectó apropiadamente a la máquina.</p>
	<p>PROTECCION DE OJO</p> <p>Siempre lleve gafas de seguridad o gafas de seguridad al operar esta máquina.</p>



¡ADVERTENCIA! Su Responsabilidad—Restringe el uso de esta máquina del poder a personas que leen, comprenden y siguen las advertencias y las instrucciones en este manual y en la máquina.

¡GUARDE ESTAS INSTRUCCIONES!

Contenido de la caja

- Una Cortadora Trituradora
- Una Barra de Remolque
- Uno Botella del Aceite
- Uno Manual de Operador
- Una Bolsa
- Uno Manual de Operador de Motor
- Uno Anteojos de seguridad

Montaje

NOTA: Esta unidad se envía sin gasolina ni aceite en el motor. Llene con gasolina y aceite como se indica en las instrucciones que se incluyen en el manual de motor adjunto ANTES de poner en funcionamiento su cortadora trituradora .

Canal de la Cortadora (Modelo Serie CS 3210 Sólo)

Para transportar motivos, la unidad es crated con su tolva chipper en una posición levantada. Para girarlo hacia abajo, proceda como sigue:

1. Tire el pestillo de primavera hacia arriba.
2. Suavemente gire la tolva chipper abajo hasta que esto haga clic en la vara de cerradura. Vea la Fig. 3-1.

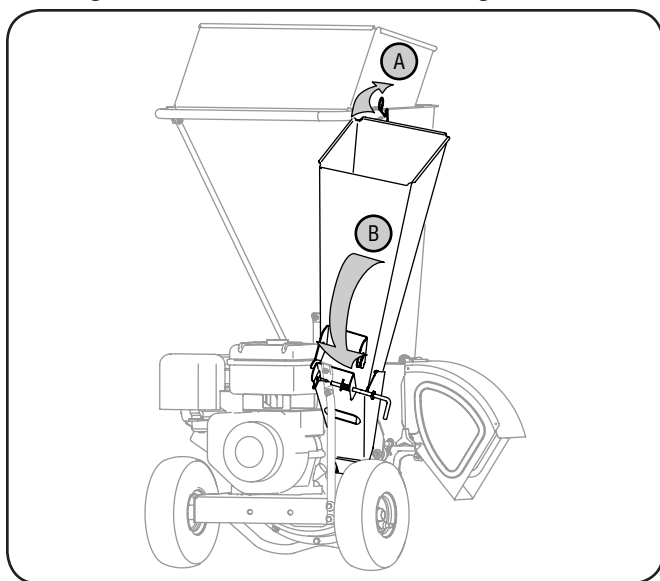


Figura 3-1



ADVERTENCIA: Nunca haga funcionar la desfibadora chipper con la tolva chipper en la posición levantada. Haciendo tan puede causar el daño a la propiedad o la herida seria al operador o personas presentes.

Bolsa

Para adosar la bolsa:

1. Coloque la abertura de la bolsa completamente sobre el deflector del canal. Vea la Fig. 3-2.

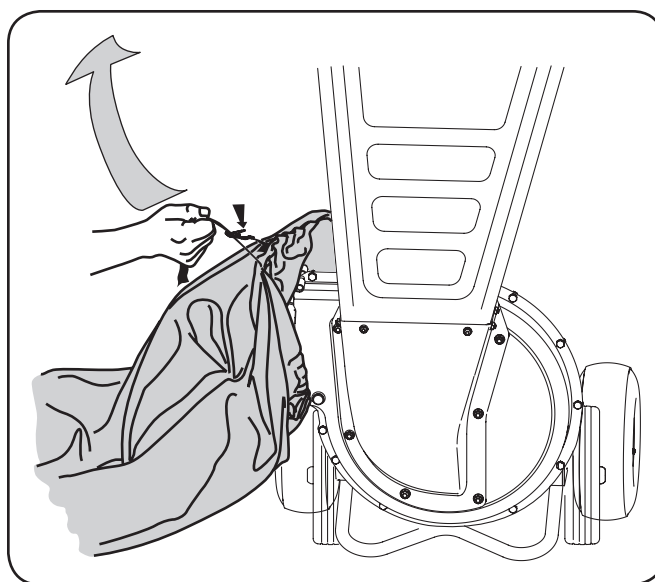


Figura 3-2

2. Coloque la bolsa de manera que se cubran completamente las perillas mariposa que aseguran el deflector del canal a la caja del motor.
3. Tire de la tira de extracción hasta que la bolsa quede ajustada alrededor de la abertura del deflector del canal.

Barra de Remolque

Atar la barra de remolque:

1. Quite el alfiler de primavera y el alfiler de clevis a partir del final de la lengua. Vea la Fig. 3-3.

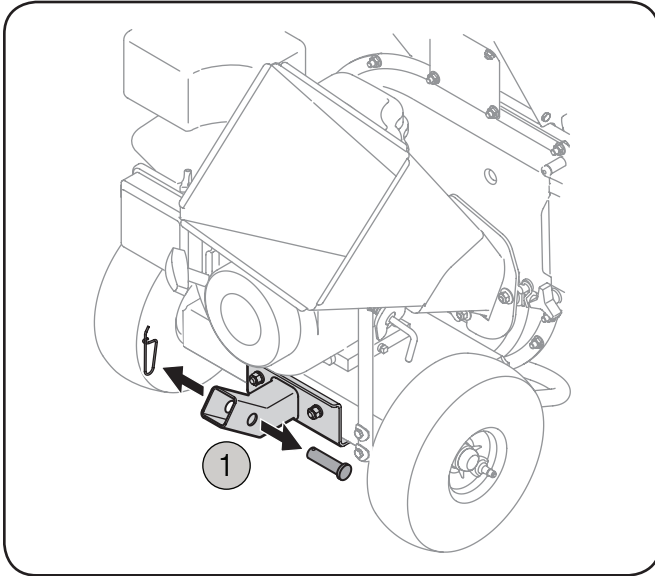


Figura 3-3

2. Inserte la lengua en la base.
3. Inserte de nuevo el alfiler de clevis por la alineación de agujeros tanto en la lengua como en la base. Sujete con el alfiler de primavera para asegurar. Vea la Fig. 3-4.

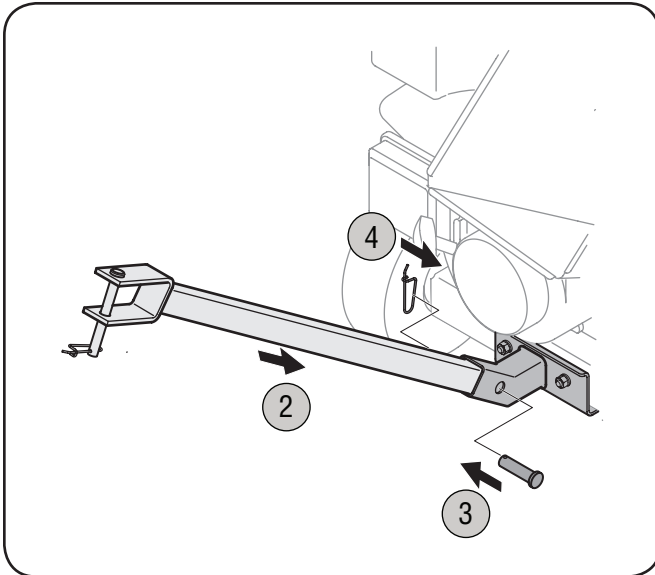


Figura 3-4

Configuración

Llenado de gasolina y aceite

Refiérase a las instrucciones del manual del motor para la información de motor.

1. Añadir el petróleo proporcionado antes de la unidad inicial por primera vez de la caja.
2. Atender el motor con la gasolina como instruido en el manual del motor.



ADVERTENCIA: Tenga extremo cuidado cuando manipule gasolina. La gasolina es altamente inflamable y sus vapores pueden causar explosiones. Nunca agregue combustible a la máquina en interiores o mientras el motor está caliente o en funcionamiento. Apague cigarrillos, cigarros, pipas y otras fuentes de combustión.



ADVERTENCIA: Nunca llene el depósito de combustible dentro del correr de motor o hasta que se haya permitido que el motor se enfríe durante al menos dos minutos después del correr.

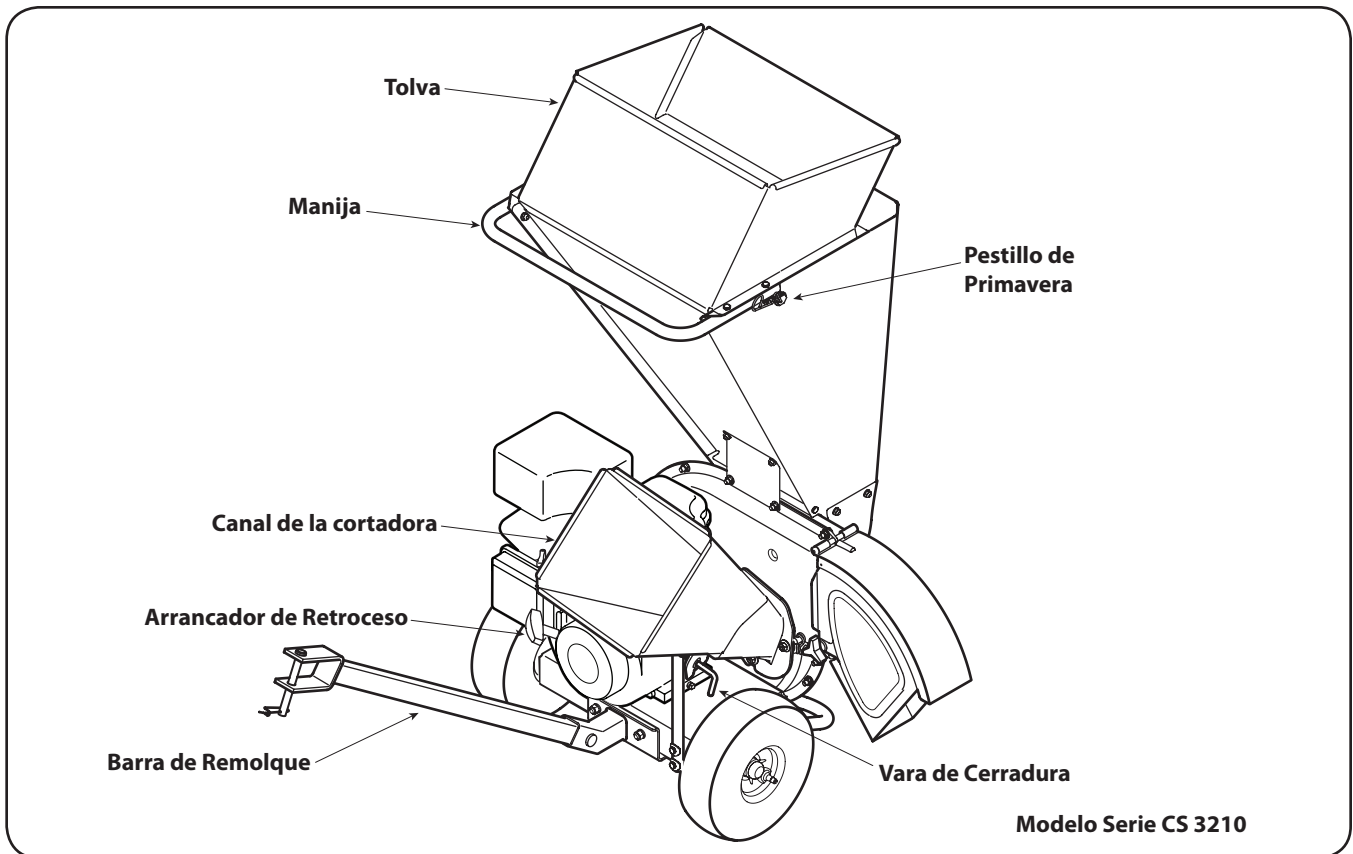


Figura 4-1

Canal de la cortadora

Se puede permitir el ingreso de ramas de hasta 2" (modelo serie CS 2210) o 3" (modelo serie CS 3210) de diámetro en el canal de la cortadora para ser cortadas.

Tolva

Las hojas, ramas pequeñas y ramas de hasta 1/2 pulgada de diámetro se pueden colocar dentro de la tolva para su trituración. Vea la fig. 4-1.

IMPORTANTE: No coloque nunca en la tolva ramas con un diámetro superior a 1/2 pulgadas. De hacerlo se puede dañar gravemente la hoja de trituración, el desgranado o el motor de la unidad.

Barra de Remolque

Use la barra de remolque para remolcar la cortadora trituradora detrás de un tractor a un sitio de trabajo.

Manija

Use la manija cuando transporte manualmente la cortadora trituradora.

Arrancador de Retroceso

El arrancador de retroceso es localizado en el motor. Tire el arrancador de retroceso para comenzar el motor.

Controles del motor

Consulte el manual de Propietario/Operador empaquetado con su unidad para ver la ubicación y función de los controles del motor.

Pestillo de Primavera (Modelo Serie CS 3210 Sólo)

El pestillo de primavera es localizado en la cumbre del saltador. Esto es usado para liberar o cerrar con llave la tolva chipper en una posición levantada para el almacenaje o para el transporte. Ver la fig. 4-1.



ADVERTENCIA: Nunca haga funcionar la desfibrador chipper con la tolva chipper en la posición levantada. Use el pestillo de primavera para bajar la tolva chipper en la posición de operaciones antes de comenzar el motor.

Vara de Cerradura (Modelo Serie CS 3210 Sólo)

La vara de cerradura es localizada en el apoyo de tolva chipper. Esto es usado para liberar o cerrar con llave la tolva chipper en una posición bajada para la operación.



ADVERTENCIA: Al operar una cortadora trituradora puede ser que objetos extraños sean arrojados a los ojos lo cual puede dañarlos gravemente. Utilice siempre los anteojos de seguridad provistos con esta unidad o protectores para ojos antes de picar o triturar el material o mientras realiza ajustes o reparaciones.

IMPORTANTE: como este manual cubre varias unidades modelas diferentes, las instrucciones iniciales diferentes pueden aplicarse a su motor particular. Algunos motores pueden tener un combustible petcock, unos pueden no. Algunos motores pueden tener Interruptores, otro puede no. Algunas unidades utilizarán un sistema de estárter, mientras los otros requerirán la preparación. Estos factores dependen de lo que hace y modela el motor viene con su unidad particular. Por estos motivos, por favor refiérase al manual del operador de motor para el procedimiento inicial correcto.

Encendido del Motor

1. Conecte el cable de la bujía y la manga de goma a la misma.
2. La válvula de cierre de combustible abierta (de ser equipado) y se asegura que el Interruptor está en El En la posición (de ser equipado).
3. Mueva la palanca de control de obturación a la posición CHOKE (obturación) (de ser equipado). Vea la Fig. 5-1. Si la unidad tiene una cartilla, principal el motor como instruido en el manual del operador de motor.

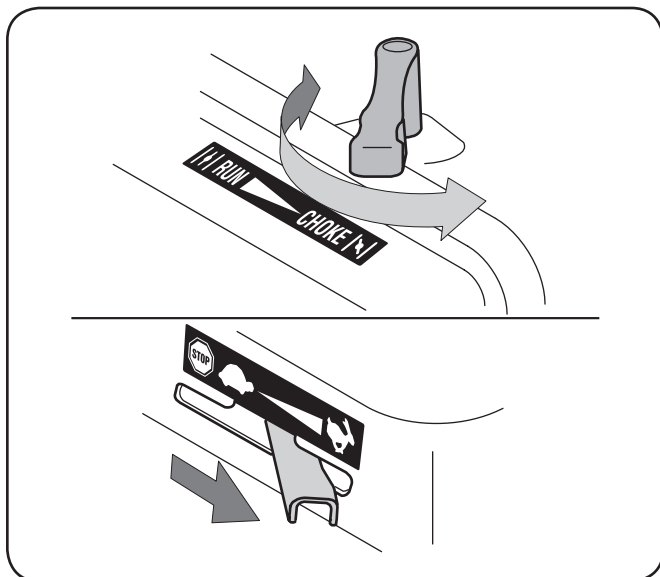


Figura 5-1

NOTA: Si el motor está tibio la obturación puede no ser necesaria.

4. Mueva la palanca de control del regulador a la posición FAST (de ser equipado). Vea la Fig. 5-1.

5. Tome la manija del arrancador y tire de la cuerda hacia afuera lentamente hasta que el motor alcance el comience del ciclo de compresión (la cuerda tirará un poco más fuerte en este punto).

NOTA: Es posible que se escuche un ruido "metálico" cuando tire de la cuerda de arranque. Es totalmente normal y NO significa que exista algún tipo de problema de funcionamiento.

6. Tire de la cuerda con un golpe de brazo rápido, total y continuo. Apriete bien la manija del arrancador. Deje que la cuerda se enrolle lentamente.
7. Repita los pasos anteriores hasta que el motor se encienda. Una vez encendido el motor mueva el control de obturación gradualmente hasta la posición RUN (en marcha) hasta que el motor funcione sin problemas.



ADVERTENCIA: Nunca encienda el motor en espacios cerrados o en una zona poco ventilada. El escape del motor contiene monóxido de carbono, un gas inodoro y letal.

Detención del motor

1. El regulador de movimiento controla la palanca para PARAR la posición (de ser equipado) o empujar el interruptor de rockero a LEJOS. Vea la Fig. 5-2.

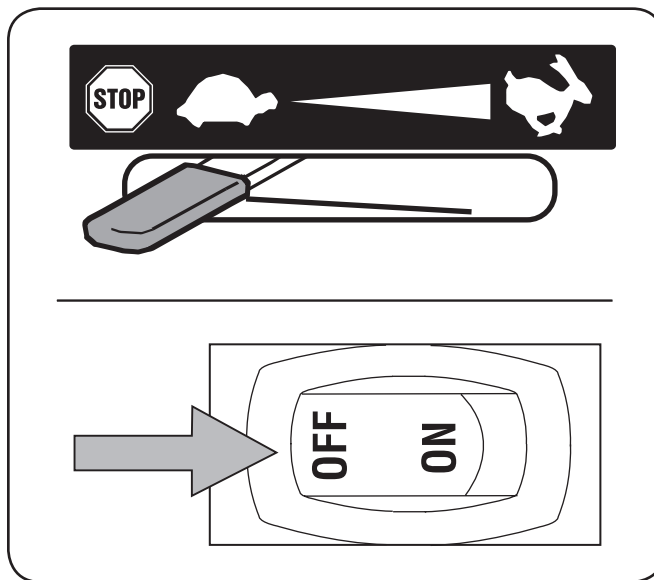


Figura 5-2

NOTA: Si desea instrucciones más detalladas consulte el manual del motor embalado junto con la unidad.



PRECAUCIÓN: Nunca detenga el motor moviendo la palanca de obturación hasta la posición CHOKE (obturación). Se pueden producir explosiones al carburador, incendios o daños al motor.

Trituración

El desecho que se acumula en los patios como por ejemplo las hojas y las agujas de los pinos puede ser colocado en la tolva para triturarlo. Después de procesar el material con la cuchilla de la trituradora y de desgranar, es empujado fuera del deflector del canal y, si está instalada, hacia el interior de la bolsa de recolección de desechos.

Respete las siguientes pautas cuando triture desechos que se acumulan en los patios:

- Sólo utilice la máquina para triturar el material que se encuentra en un patio normal (hojas, ramas, piñas de los pinos, etc.).
- Evite la trituración de plantas fibrosas como, por ejemplo, las de tomates hasta que estén totalmente secas. Las plantas de tomates frescas no se trituran bien y tienden a enroscarse alrededor del motor y del desgranado.
- Coloque cantidades razonables de desechos en la tolva por vez. No sobrecargue la tolva.
- Permita que el material que se encuentra en la tolva sea atraído hasta las cuchillas y triturado antes de agregar más desechos dentro de la misma. De no hacerlo se puede tapan la tolva, el deflector del canal o detener el motor.
- Evite colocar en la tolva ramas cuya longitud exceda las 24 pulgadas. Las ramas de más de 24 pulgadas de largo pueden tapan la tolva.

IMPORTANTE: Nunca coloque en la tolva ramas con un diámetro superior a 1/2 pulgadas. De hacerlo se puede dañar gravemente la cuchilla de trituración de la unidad, el desgranado o el motor de la unidad.

Limpieza de la tolva

Si se tapan la tolva con desechos durante el funcionamiento, proceda de la siguiente manera:

1. Tome la manija con las dos manos y agite suavemente la cortadora trituradora para ayudar a que se suelten los desechos, atrayéndolos hasta el interior del motor.

Si no se elimina el atascamiento proceda de la siguiente manera:

1. Detenga el motor.
2. Use las manos para sacar los desechos que se encuentran cerca de la parte superior de la tolva.
3. Use una rama (u otro dispositivo disponible, es decir, una escoba) para sacar los desechos ubicados cerca de la base de la tolva.
4. Vuelva a poner en marcha el motor.

NOTA: Si no puede tirar de la cuerda de arranque por los desechos acumulados cerca del motor, siga las instrucciones incluidas bajo el título Limpieza de la Cámara de Reducción en la sección "Mantenimiento Y Ajustes" de este manual.

Corte



ADVERTENCIA: No utilice nunca la cortadora trituradora sin haber bajado el canal de la cortadora hasta la posición de funcionamiento.

Se puede permitir el ingreso de ramas de hasta 2" (modelo serie CS 2210) o 3" (modelo serie CS 3210) de diámetro en el canal de la cortadora. Respete las siguientes pautas para el corte de las ramas:

- Mantenga ambas manos firmemente en la rama a medida que la coloca dentro del canal de la cortadora.
- No ponga nunca más de una rama dentro del canal de la cortadora por vez.
- En el canal de la cortadora sólo se puede colocar ramas (de madera).
- Aplique presión intermitente (fuerza, en impulsos cortos) cuando coloque ramas más largas dentro del canal de la cortadora para evitar inundar o ahogar el motor.

IMPORTANTE: Nunca coloque ramas con un diámetro superior a dos (2) pulgadas (modelo serie 450) o tres (3) pulgadas (modelo serie 460) dentro del canal de la cortadora. De hacerlo se pueden dañar gravemente las cuchillas de corte, el desgranado o el motor de la unidad.

NOTA: Para mejores resultados, opere siempre la unidad con cuchillas de corte afiladas. Si se produce una reducción apreciable en el rendimiento mientras se cortan ramas, se debe reemplazar las cuchillas de la cortadora.

Vaciado de la bolsa

1. Detenga el motor.
2. Oprima la hebilla de seguridad para soltar la tira de extracción de la bolsa antes de soltarla del deflector del canal. Vea la Fig. 5-3.

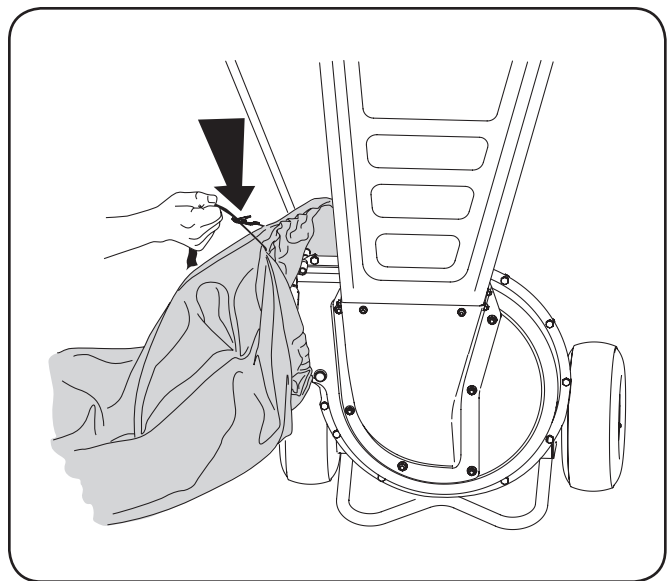


Figura 5-3

3. Vacíe la bolsa y vuelva a colocarla en la abertura del deflector del canal. Consulte la sección "Montaje y Configuración" de este manual.

Mantenimiento

Recomendaciones Generales

- Respete siempre las reglas de seguridad cuando realice tareas de mantenimiento.
- La garantía de esta la cortadora trituradora no cubre elementos que han estado sujetos al mal uso o la negligencia del operador. Para recibir el reembolso total de la garantía, el operador deberá dar mantenimiento al equipo como se indica en este manual.
- El cambio de la velocidad controlada del motor invalidará la garantía del motor.
- Todos los ajustes deben ser verificados por lo menos una vez en cada estación.
- Revise periódicamente todos los sujetadores y compruebe que estén bien ajustados.



ADVERTENCIA: Detenga siempre el motor, desconecte la bujía y haga masa contra el motor antes de limpiar, lubricar o hacer llevar a cabo cualquier clase de mantenimiento en su máquina.

Lubricación

1. Lubrique la bisagra del canal de la cortadora con un aceite ligero una vez por temporada.
2. Lubrique los puntos de pivote del deflector del canal con un aceite ligero una vez por temporada.
3. Siga el manual de motor separado embalado por su unidad para instrucciones de lubricación de motor.

Care de Equipo

- Limpie cuidadosamente la cortadora trituradora después de cada uso.
- Lave la bolsa con agua periódicamente. Permita que se seque bien en un sitio a la sombra.
- Si se tapa el canal de reducción, sáquela y límpiela como se indica abajo.

NOTA: La limpieza con un chorro de agua a presión no se recomienda, ya que el sistema de combustible podría resultar contaminado.

Cuidados para el motor

NOTA: Refiérase a las secciones de mantenimiento y operación de motor en este manual para instrucciones detalladas.

- Verifique el nivel de aceite.
- Limpie el filtro de aire cada 100 horas o por lo menos una vez por temporada en condiciones normales de uso. Limpie a intervalos de pocas horas cuando haya mucho polvo.
- Limpie la bujía y restablezca la distancia disruptiva cada 25 horas o por lo menos una vez por temporada.
- Limpie el motor regularmente con un trapo o cepillo. Mantenga limpio el sistema de enfriamiento (área del soplador) para permitir la circulación apropiada de aire. Quite todo el césped, suciedad y residuos combustibles del área del silenciador.

Limpieza del canal de reducción



ADVERTENCIA: Las cuchillas de trituración y de corte del motor están afiladas. Use guantes de trabajo de cuero para protegerse las manos cuando limpie la cámara de reducción.

Si la cámara de reducción se tapa con desechos, la criba de desgranado se puede girar hacia arriba para que pueda limpiar la zona circundante. Para hacerlo proceda de la siguiente manera:

1. Detenga el motor, desconecte la bujía y compruebe que la cortadora trituradora se haya detenido por completo.



ADVERTENCIA: El silenciador y la zona circundante están calientes si el motor ha estado en funcionamiento. Sea precavido y protéjase las manos si trabaja cerca del silenciador.

2. Si está instalada, retire la bolsa de desechos. Saque las dos perillas a mariposa de ambos lados del deflector del canal y gire el mismo hacia arriba. Vea la Fig. 6-1A.

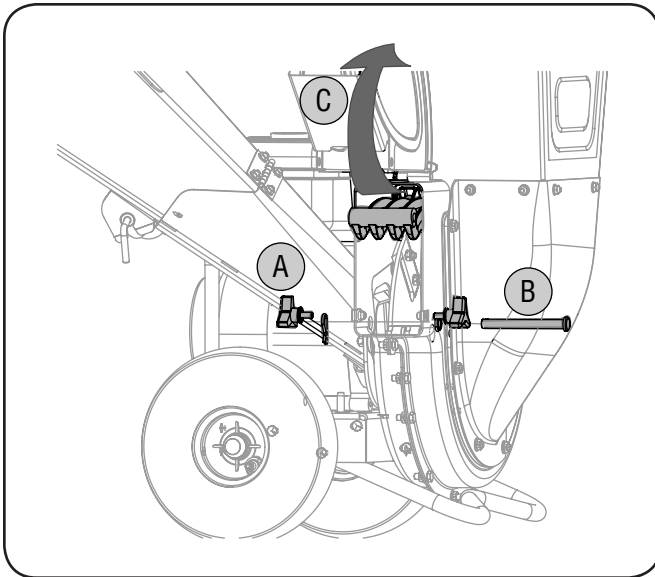


Figura 6-1

3. Saque el broche de horquilla de la chaveta que se extiende a través de la caja del motor y de la criba de la trituradora. Vea la Fig. 6-1B. Saque la chaveta de horquilla.
4. Gire la criba de desgranado hacia arriba. Vea la Fig. 6-1C. Limpie la zona circundante sacando todos los desechos mediante raspado.
5. Confirme que el cable de la bujía esté desconectado y lejos de la misma. Tire de la cuerda del arrancador entre dos y tres veces para purgar todos los desechos restantes de la cámara de reducción.
6. Cuando la zona está limpia, gire la criba de desgranado hacia abajo y vuelva a ajustarla con la chaveta de horquilla y el broche de horquilla que sacó anteriormente.
7. Vuelva a colocar la bolsa de recolección de desechos en el deflector del canal, si lo desea.

Cuidado de la Cuchilla

Las cuchillas de la cortadora



ADVERTENCIA: Las cuchillas de la cortadora del motor están afiladas. Utilice guantes de trabajo de cuero para protegerse las manos.

1. Detenga el motor, desconecte la bujía y compruebe que la cortadora trituradora se haya detenido por completo.
2. Gire la criba de desgranado hacia arriba como se indica bajo el título Limpieza de la Cámara de Reducción.
3. Quite la abrazadera de apoyo de tolva chipper del marco quitando los dos cerrojos de maleficio y arandelas de silla que lo aseguran. Ver la Fig. 7-1A.

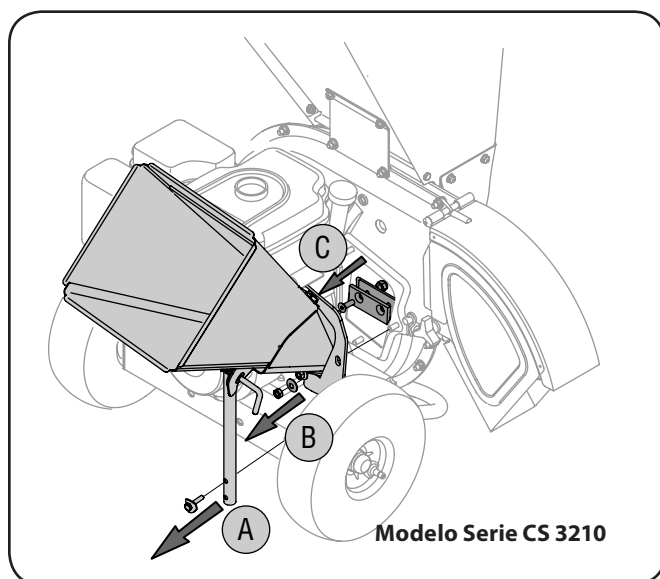


Figura 7-1

4. Para sacar el canal de la cortadora saque las tres tuercas hexagonales y las arandelas que lo aseguran a la caja del motor. Vea la Fig. 7-1B.
5. Gire el montaje del motor manualmente hasta que una de las dos cuchillas de la cortadora sea visible a través de la abertura de la caja del motor.
6. Para sacar la cuchilla saque los tornillos hexagonales internos, las arandelas de seguridad y las tuercas hexagonales que la sujetan al motor. Vea la Fig. 7-1C. Guarde los elementos de ferretería.

NOTA: Use una llave hexagonal de 3/16" (Allen) en el exterior de la cuchilla y una llave de tubo de 1/2" (o cubo) en el interior del motor. Sostenga la llave Allen quieta y gire la llave de tubo (o cubo) para aflojar la tuerca.

7. Coloque una cuchilla de repuesto (o afilada) (Número de pieza 742-0544) con los elementos de ferretería que extrajo anteriormente.

IMPORTANTE: Si afila la cuchilla, protéjase las manos utilizando guantes. Siga el ángulo original de molido y asegúrese de extraer una cantidad igual de cada cuchilla.

8. Para reemplazar la otra cuchilla, gire el motor para exponer la segunda cuchilla y repita los pasos anteriores.

NOTA: Compruebe que las cuchillas estén montadas nuevamente con el borde afilado hacia afuera (hacia el canal de la cortadora). Apriete los elementos de ferretería con una presión de entre 20 pies/libras y 25 pies/libras.

La cuchilla de la trituradora



ADVERTENCIA: La cuchilla de la cortadora trituradora es filosa. Utilice guantes de trabajo de cuero para protegerse las manos.

1. Detenga el motor, desconecte la bujía y verifique que todas las piezas móviles se hayan detenido por completo.
2. Saque las dos tuercas con reborde (y los pernos hexagonales) que sujetan la ménsula de soporte de la tolva a la caja del motor. Guarde los elementos de ferretería. Vea la Fig. 7-2.

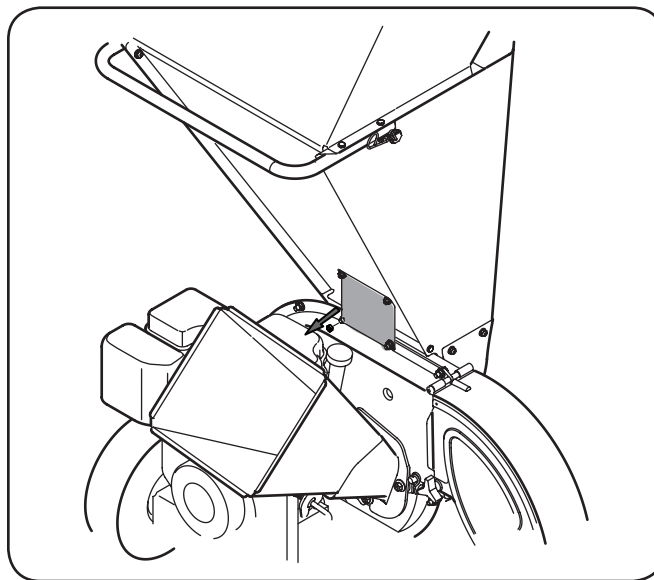


Figura 7-2

3. Gire la criba de desgranado hacia arriba como se indica bajo el título Limpieza de la Cámara de Reducción.

4. Saque las seis tuercas con reborde que sujetan la guía de ingreso de la tolva a la caja del motor. Vea la Fig. 7-3A.

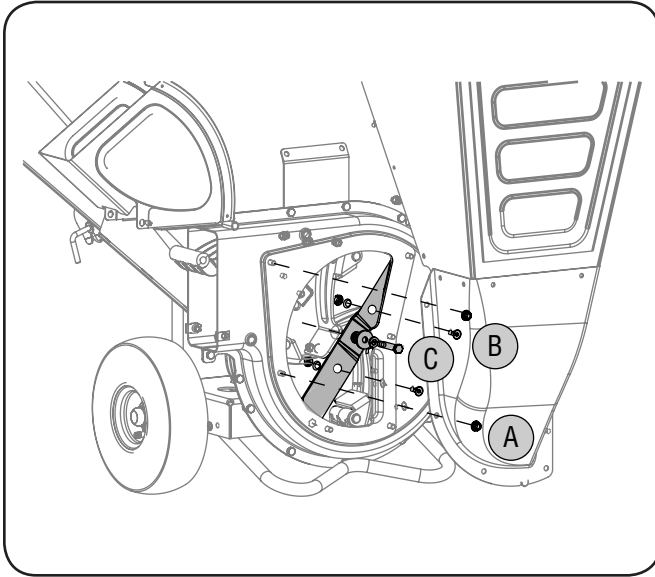


Figure 7-3

5. Separe con cuidado el montaje de la tolva de la caja del motor y póngalo a un lado.
6. Coloque un trozo de madera dentro de la abertura del deflector del canal para estabilizar el motor y evitar que el mismo gire cuando saque la cuchilla de la trituradora.
7. Saque los dos tornillos hexagonales internos, las tuercas de seguridad hexagonales y arandelas de seguridad que sujetan la cuchilla de la trituradora al motor. Vea la Fig. 7-3B.

NOTA: Use una llave hexagonal de 3/16" (Allen) en el exterior de la cuchilla de la trituradora y una llave de tubo de 1/2" (o cubo) en el interior de la cuchilla de la trituradora. Sostenga la llave Allen quieta y gire la llave de tubo (o cubo) para aflojar la tuerca.

8. Saque el perno hexagonal, la arandela de seguridad y la arandela plana para liberar totalmente la cuchilla de la trituradora. Vea la Fig. 7-3C.

IMPORTANTE: Cuando afile la cuchilla para volver a usarla, siga el ángulo original de molido como guía. Compruebe que cada extremo de corte sea desbastado de igual manera para evitar que la cuchilla quede desequilibrada. Saque el metal del lado pesado hasta que quede bien balanceada.

IMPORTANTE: Cuando vuelva a montar la cuchilla ajuste el bulón central con un par de torsión de entre 45 y 58 pies-libras y los dos bulones exteriores con un par de torsión de entre 20 y 25 pies.-libras.

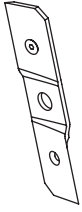
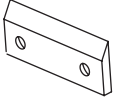
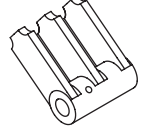
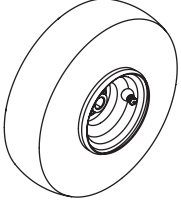
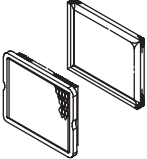


Almacenamiento Fuera de Temporada

- Almacenando la cortadora trituradora en un cobertizo de almacenaje no ventilado o metálico, el cuidado debería ser tomado a inoxidable las superficies no pintadas. Usando un petróleo ligero o silicona, cubra el equipo, sobre todo cualquier primavera, portes, y cables.
- Quite toda la suciedad del exterior de motor y equipo.
- Siga recomendaciones de lubricación.
- Consulte el manual del motor para conocer las instrucciones para el almacenamiento correcto del mismo.
- Equipo de tienda en un área limpia, seca. No almacene en un área donde el equipo está presente que puede usar un piloto o tiene un componente que puede cree una chispa.

Problema	Causa	Remedio
El motor no arranca	<ol style="list-style-type: none"> 1. La palanca del regulador no está en la posición de arranque correcta. 2. La palanca de obturación no está en la posición ON (encendido). 3. Se ha desconectado el cable de la bujía. 4. La bujía no funciona correctamente. 5. El tanque de combustible está vacío o el combustible es viejo. 6. No se puede tirar de la cuerda de retroceso. 7. Línea de combustible bloqueada. 8. Motor ahogado. 	<ol style="list-style-type: none"> 1. Mueva la palanca del regulador a la posición START (inicio)/RUN (dirigido). 2. Ponga el interruptor en la posición CHOKE (obturación). 3. Conecte el cable a la bujía. 4. Limpie, ajuste la distancia disruptiva o cambie. 5. Llene el tanque con gasolina limpia y fresca. 6. Hay una obstrucción en el motor. Desconecte el cable de la bujía y retire el objeto atascado. 7. Línea de combustible limpia. 8. Espere unos minutos para reencender, no realice el cebado.
El motor funciona de manera errática	<ol style="list-style-type: none"> 1. La unidad está funcionando en la posición CHOKE (obturación). 2. El cable de la bujía está flojo. 3. El combustible es viejo. 4. Agua o suciedad en el sistema del combustible. 5. El filtro de aire está sucio. 6. RPM del motor bajas. 7. Es necesario ajustar el carburador. 	<ol style="list-style-type: none"> 1. Cambie la palanca de obturación a la posición OFF (apagado). 2. Conecte y ajuste el cable de la bujía. 3. Llene el tanque con gasolina limpia y fresca. 4. Vacíe el tanque del combustible. Vuelva a llenarlo con combustible limpio. 5. Consulte el manual del motor. 6. Siempre accione el motor con el estrangulador al máximo. 7. Consulte el manual del motor.
El motor recalienta	<ol style="list-style-type: none"> 1. El nivel de aceite del motor es bajo. 2. Flujo de aire restringido. 3. El carburador no está ajustado correctamente. 	<ol style="list-style-type: none"> 1. Llene el cárter con aceite adecuado. 2. Retire el alojamiento del soplador y límpielo. 3. Consulte el manual del motor.
Saltos ocasionales (pausas) a alta velocidad	<ol style="list-style-type: none"> 1. La distancia disruptiva de la bujía es muy pequeña. 2. Ajuste de la mezcla del carburador mal realizada. 	<ol style="list-style-type: none"> 1. Quite la bujía y ajuste el hueco. 2. Consulte el manual del motor.
Demasiada vibración	<ol style="list-style-type: none"> 1. Hay partes que están flojas o el motor está dañado. 	<ol style="list-style-type: none"> 1. Detenga el motor de inmediato y desconecte el cable de la bujía. Consulte a un distribuidor autorizado.

Seguido después paginan

Problema	Causa	Remedio
La unidad no descarga	<ol style="list-style-type: none"> 1. El área de descarga está tapada. 2. Hay un objeto extraño en el motor. 3. RPM del motor bajas. 	<ol style="list-style-type: none"> 1. Detenga el motor de inmediato y desconecte el cable de la bujía. Limpie la pantalla de desgranado y el interior de la abertura de descarga. 2. Detenga el motor y desconecte el cable de la bujía. Saque el objeto extraño del motor. 3. Siempre accione el motor con el estrangulador al máximo.
La tasa de descarga se reduce de manera considerable o cambia la composición del material descargado	<ol style="list-style-type: none"> 1. RPM del motor bajas. 2. La hoja de la cortadora está desafilada 	<ol style="list-style-type: none"> 1. Siempre accione el motor con el estrangulador al máximo. 2. Reemplace la hoja de la cortadora o contacte a un distribuidor autorizado.

Componente	Número de pieza y Descripción
	942-04050 Trituradora Blade
	942-0544 Alegre Blade (3)
	719-04308 Mayal Blade
	634-04627 10 x 4,0 neumática Ruedas de acero sin presionado en Rodamientos
	BS-491588S Filtro de aire del cartucho BS-491435S Filtro de aire (Pre-limpiador)
	759-3336 Bujía
	BS-792647 Capitalización del tanque de combustible

Para ordenar piezas de repuesto o un manual completo de las partes (su número de modelo completo y número de serie), se refieren a la información de contacto en la Tabla de contenidos de este manual.

GARANTÍA LIMITADA DE CUB CADET LLC PARA CORTADORAS TRITURADORAS Y ASPIRADORAS PARA CORTADORAS TRITURADORAS

La siguiente garantía limitada es otorgada por Cub Cadet LLC con respecto a nuevos productos adquiridos y utilizados en Estados Unidos, sus posesiones territorios, y por MTD Products Limited con respecto a nuevos productos adquiridos y utilizados en Canadá y/o sus territorios y posesiones.

“Cub Cadet” garantiza este producto (excluidas las *Piezas con Desgaste Normal* según se describe más abajo) contra defectos en los materiales y mano de obra por un período de dos (2) años a partir de la fecha de compra original y, a su opción, reparará o reemplazará, sin costo alguno, cualquier pieza que presente defectos en los materiales o de mano de obra. Esta garantía limitada sólo se aplicará si el producto ha sido operado y mantenido de acuerdo con las instrucciones del Manual del Operador que se proporciona con el producto y no ha sido sujeto a uso inapropiado, abuso, uso comercial, abandono, accidente, mantenimiento incorrecto, alteración, vandalismo, robo, incendio, inundación o algún daño debido a otro peligro o desastre natural. El daño resultante de la instalación o el uso de piezas, accesorios o complementos no aprobados por Cub Cadet para su uso con el o los productos incluidos en este manual anulará la garantía en lo que respecta a esos daños.

Se garantiza que las Piezas con Desgaste Normal están libres de defectos en los materiales y mano de obra por un período de treinta (30) días a partir de la fecha de compra. Las piezas sujetas a desgaste normal incluyen pero no se limitan a: correas, cuchillas, bolsas para la recolección de residuos, ruedas y neumáticos.

CÓMO SOLICITAR Y OBTENER SERVICIO TÉCNICO: El servicio de la garantía está disponible, CON COMPROBANTE DE COMPRA, a través de su distribuidor local de servicio autorizado. Para localizar el distribuidor de su zona:

En Estados Unidos de América

Para localizar al distribuidor de su zona, consulte las páginas amarillas, o póngase en contacto con Cub Cadet LLC en P.O. Box 361131, Cleveland, Ohio 44136-0019, llame al 1-877-282-8684, o visite nuestro sitio web en www.cubcadet.com.

En Canadá

Póngase en contacto con MTD Products Limited, Kitchener, ON N2G 4J1,

llame al 1-800-668-1238 o visite nuestro sitio web en www.mtdcanada.com.

Esta garantía limitada no suministra cobertura en los siguientes casos:

- a. El motor o las piezas que lo componen. Estos productos pueden tener garantía del fabricante por separado. Consulte los términos y condiciones en la garantía correspondiente del fabricante.
- b. Las bombas rompeteroncos, válvulas y cilindros tienen una garantía separada de un año.
- c. Los artículos necesarios para el mantenimiento de rutina como por ejemplo lubricantes, filtros, afiladores de cuchillas, sincronización del motor, los ajustes de los frenos, del embrague o de la plataforma y el deterioro normal del acabado exterior debido al uso o exposición.

- d. Cub Cadet no extiende ninguna garantía para los productos vendidos o exportados fuera de los Estados Unidos de América y/o Canadá, y sus respectivas posesiones y territorios, excepto para aquellos vendidos a través de los canales autorizados de distribución de exportaciones de Cub Cadet.
- e. Piezas de reemplazo que no son piezas originales de Cub Cadet.
- f. Mantenimiento no realizado por el distribuidor de servicio autorizado.
- g. Gastos de transporte y visitas técnicas.
- h. Cub Cadet no garantiza este producto para uso comercial.

No se aplican garantías implícitas, incluidas las garantías implícitas de comerciabilidad o de adecuación para un propósito determinado, después del período de aplicación de la garantía escrita expresa extendida más arriba para las piezas de acuerdo con su identificación. Ninguna otra garantía expresa, oral o escrita, excepto la mencionada anteriormente, extendida por personas o personas jurídicas, incluidos los distribuidores o los minoristas con respecto a los productos, obligará a Cub Cadet. Durante el plazo de la garantía el único recurso es la reparación o reemplazo del producto como se indicó anteriormente.

Las disposiciones incluidas en esta garantía proveen el recurso único y exclusivo que surge de las ventas. Cub Cadet no será responsable de las pérdidas o los daños incidentales o resultantes, incluyendo sin limitación, los gastos incurridos para los servicios de mantenimiento del pasto, o los gastos de arrendamiento para reemplazar de manera transitoria un producto bajo garantía.

Algunos estados no permiten la exclusión o limitación de los daños y perjuicios incidentales o directos, o las limitaciones sobre la duración de las garantías implícitas, por lo que las exclusiones o limitaciones mencionadas anteriormente pueden no ser de aplicación.

En ningún caso se obtendrá una compensación mayor al monto del precio de compra del producto vendido. **La modificación de las características de seguridad del producto anulará esta garantía.** Usted asume el riesgo y la responsabilidad de las pérdidas, daños o lesiones que sufran usted y sus bienes y / u otras personas y sus bienes como resultado del uso incorrecto o de la falta de capacidad para usar este producto.

Esta garantía limitada alcanza solamente al comprador original, o a la persona que recibió el producto de regalo.

CÓMO SE RELACIONA LA LEGISLACIÓN ESTATAL CON ESTA GARANTÍA: Esta garantía limitada le otorga derechos legales específicos y usted también puede tener otros derechos que varían de una jurisdicción a otra.

IMPORTANTE: El propietario debe presentar el Comprobante de compra original para obtener la cobertura de la garantía.

**Cub Cadet LLC, P.O. BOX 361131 CLEVELAND, OHIO 44136-0019; Teléfono: 1-877-282-8684
MTD Canada Limited - KITCHENER, ON N2G 4J1; teléfono 1-800-668-1238**