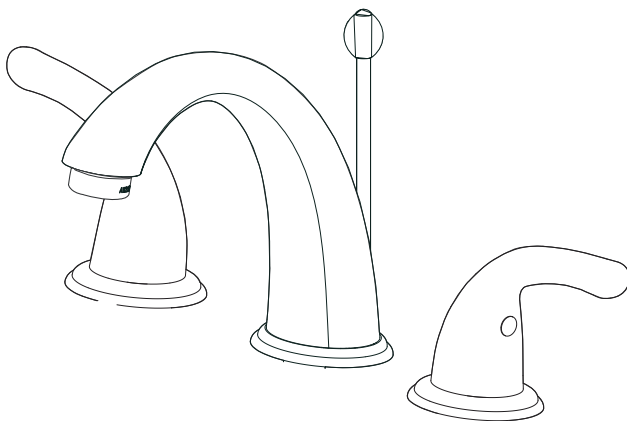


INSTALLATION AND CARE GUIDE

TWO-HANDLE LAVATORY FAUCET



Questions, problems, missing parts?

Before returning to the store, call Glacier Bay Customer Service
8 a.m. - 7 p.m., EST, Monday - Friday
9 a.m. - 6 p.m., EST, Saturday

1-855-HD-GLACIER (1-855-434-5224)

HOMEDEPOT.COM/GLACIERBAY

THANK YOU

We appreciate the trust and confidence you have placed in Glacier Bay through the purchase of this lavatory faucet. We strive to continually create quality products designed to enhance your home. Visit us online to see our full line of products available for your home improvement needs. Thank you for choosing Glacier Bay!

Table of Contents

Important Information	2	Installation	4
Warranty	2	Operation.....	8
Pre-Installation	2	Care and Cleaning	9
Planning Installation	2	Troubleshooting	9
Tools and Hardware Required.....	3	Service Parts.....	10
Package Contents.....	3		

Important Information

- Observe all local plumbing and building codes.
- Cover the sink drain to avoid losing any parts.
- Review the care and cleaning section included in this guide.

Warranty

LIMITED LIFETIME WARRANTY

Glacier Bay products are manufactured with superior quality standards and workmanship and are backed by our limited lifetime warranty. Glacier Bay products are warranted to the original consumer purchaser to be free of defects in materials or workmanship. We will replace FREE OF CHARGE any product or parts that proves defective. Simply, return the product / part to any of The Home Depot retail locations or call 1-855-HD Glacier (1-855-434-5224) to receive the replacement item. Proof of purchase (original sales receipt) from the original consumer purchaser must be made available for all Glacier Bay warranty claims.

This warranty excludes incidental/inconsequential damages and failures due to misuse, abuse or normal wear and tear. This warranty excludes all industrial, commercial & business usage, whose purchasers are hereby, extended a five year limited warranty from the date of purchase, with all other terms of this warranty applying except the duration of warranty.

Some states and provinces do not allow the exclusion or limitation of incidental or consequential damages, so the above limitations may not apply to you. This warranty gives you specific legal rights and you may also have other rights that vary from state to state and province to province. Please see a store or contact 1-855-HD Glacier for more details.

Pre-Installation

PLANNING INSTALLATION

Before you begin to install this product, ensure that all parts are present. Compare parts with the package contents list. If any part is missing or damaged, do not attempt to install the product. Contact customer service for replacement parts.

TOOLS AND HARDWARE REQUIRED



Adjustable
Wrench



Phillips
Screwdriver



Safety
Goggles



Silicone
Sealant



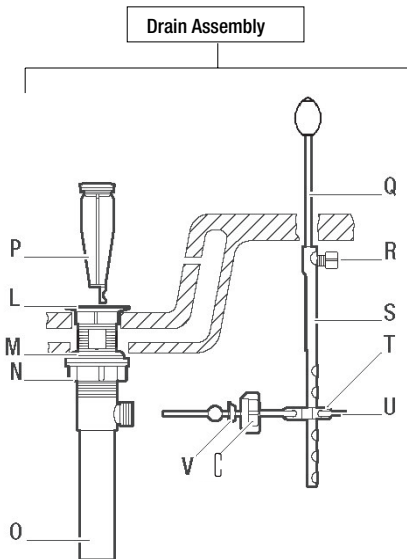
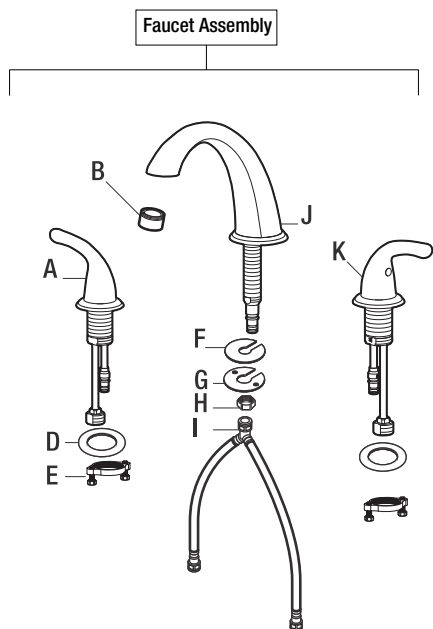
(2) Water
Supply
Lines



Channel
Lock
Pliers

Pre-Installation (continued)

PACKAGE CONTENTS



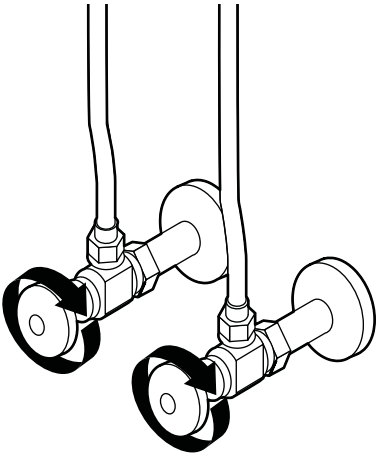
Part	Description	Quantity
A	Hot faucet handle	1
B	Aerator (Preassembled to Faucet body (J))	1
C	Ball nut (Preassembled to Ball rod (U))	1
D	Metal washer (Preassembled to Faucet handles (A and K))	2
E	Guide washer (Preassembled to Faucet handles (A and K))	2
F	Rubber spacer (Preassembled to Faucet body (J))	1
G	Metal spacer (Preassembled to Faucet body (J))	1
H	Lock nut (Preassembled to Faucet body (J))	1
I	Quick connecting hose	1
J	Faucet body	1
K	Cold faucet handle	1

Part	Description	Quantity
L	Drain flange (Preassembled to Drain body (O))	1
M	Rubber washer (Preassembled to Drain body (O))	1
N	Lock nut (Preassembled to Drain body (O))	1
O	Drain body	1
P	Pop up stopper (Preassembled to Drain body (O))	1
Q	Lift rod	1
R	Thumb screw (Preassembled to Lift rod strap (S))	1
S	Lift rod strap	1
T	Spring clip (Preassembled to Ball rod (U))	1
U	Ball rod	1
V	Bushing (Preassembled to Ball rod (U))	1

Installation

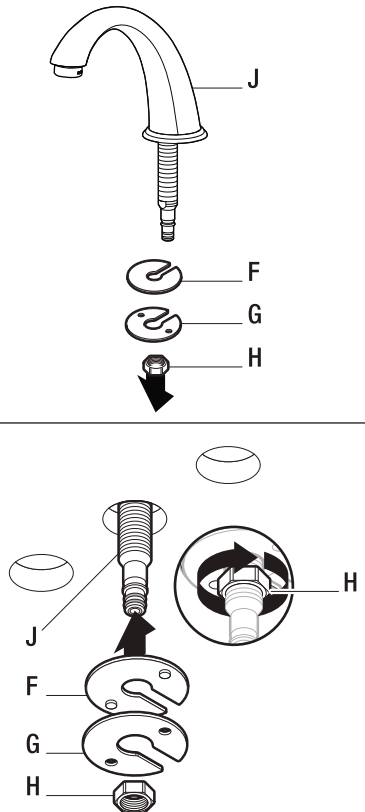
1 Turning off the water supply

- Shut off the water supply.
- If necessary, remove the old faucet and clean off the installation surface.



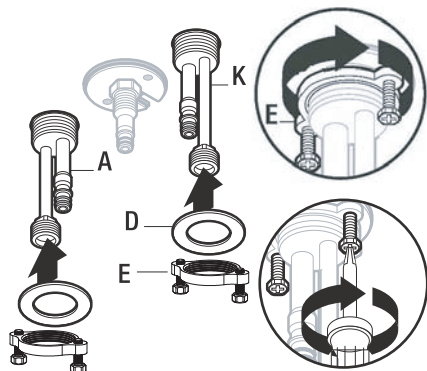
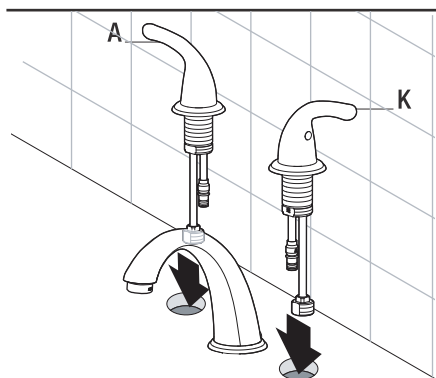
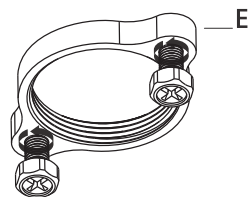
2 Installing the faucet body

- Remove the preassembled lock nut (H), metal spacer (G), and rubber spacer (F) from the shank of the faucet body (J).
- Insert the threaded end of the faucet body (J) into the center installation hole on the sink.
- Attach the faucet body (J) to the sink by securing the rubber spacer (F), metal spacer (G), and lock nut (H) on the threaded end of the faucet body (J) underneath the sink.



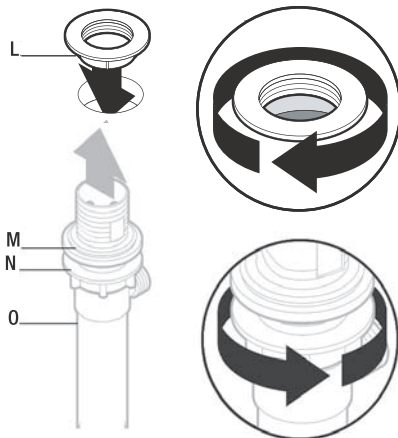
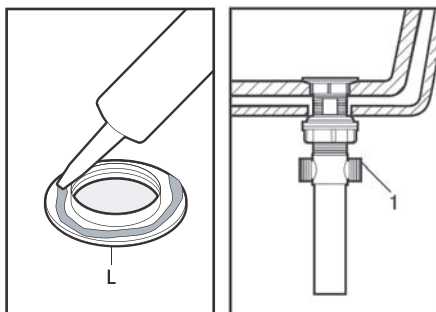
3 Installing the faucet handles

- Remove the preassembled guide washers (E), and metal washers (D), from the hot and cold faucet handles (A and K).
- Loosen the screws on the guide washers (E) until the ends of the screws are flush with the face of the guide washers (E).
- Insert the hot and cold faucet handles (A and K) into the installation holes on the sink.
- Attach the faucet handles (A and K) underneath the sink using the metal washers (D) and guide washers (E). Securely tighten the screws on the guide washers (E).



4 Installing the drain body

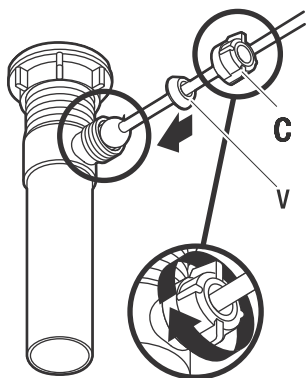
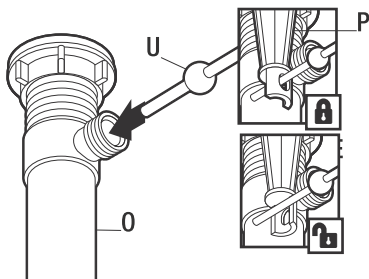
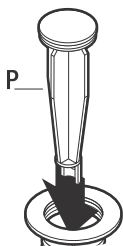
- Remove the drain flange (L) from the drain body (O).
- Apply silicone caulk (not included) under the drain flange (L) and place the drain flange (L) over the drain hole in the sink.
- From underneath the sink, screw the drain body (O) onto the drain flange (L). Ensure that the opening (1) for the ball rod on the drain body (O) faces towards the rear of the sink.
- Tighten the rubber washer (M) and lock nut (N) on the drain body (O).



Installation (continued)

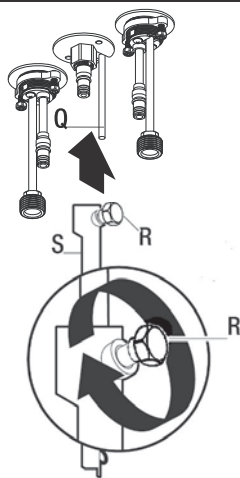
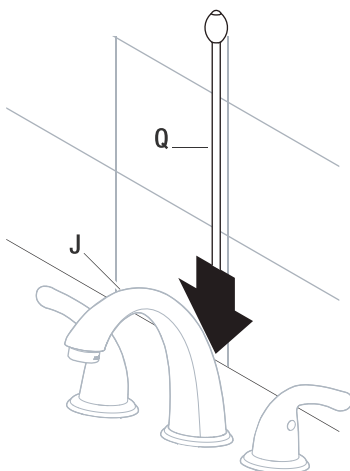
5 Installing the Pop up stopper and ball rod

- Insert the Pop up stopper (P) into the drain hole in the sink.
- Remove the lift rod strap (S) and spring clip (T) from the ball rod (U).
- Install the ball rod (U) into the drain body (O) and through the hole of the Pop up stopper (P).
- Push the bushing (V) and ball nut (C) against the hole in the drain body (O) and tighten the ball nut (C) onto the threaded end.



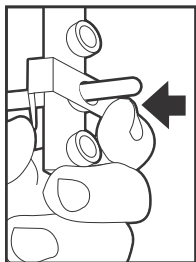
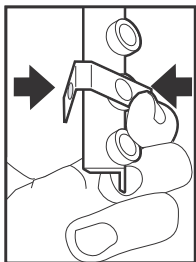
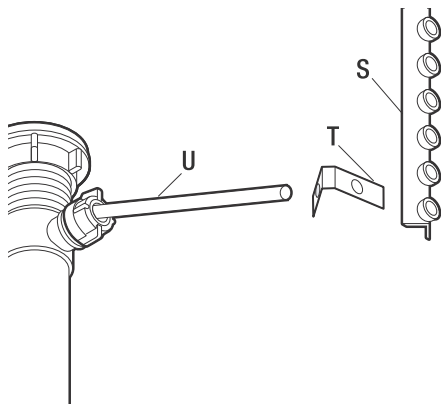
6 Installing the lift rod

- Insert the lift rod (Q) through the faucet (J) and down into the strap (S). Tighten the thumb screw (R).



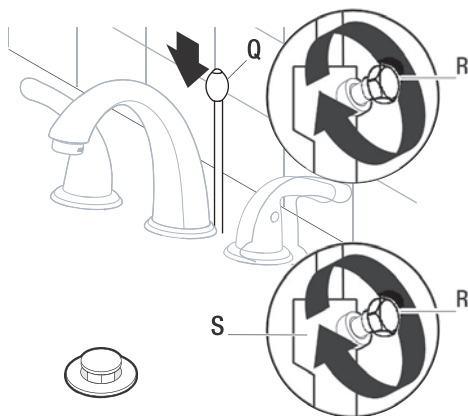
7 Attaching the ball rod and strap

- Adjust the ball rod (U) to the down position.
- Attach the ball rod (U) to the strap (S) using the clip (T).



8 Adjusting the lift rod

- Loosen the thumb screw (R) on the lift rod strap (S).
- Adjust the lift rod (Q) to the down position and re-tighten the thumb screw (R).

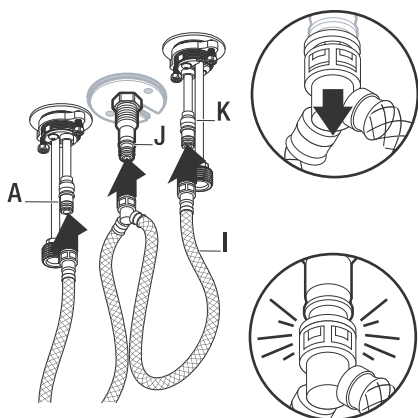


Installation (continued)

9 Attaching the connecting hose

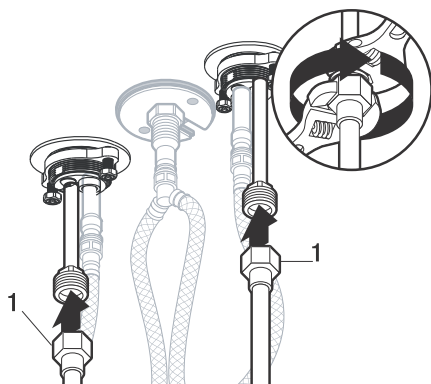
Remove cap from the quick connect tubes.

Attach the quick connecting hose (I) connections to the hot faucet handle (A) connection, faucet body (J) connection, and cold faucet handle (K) connection. Push until the connections snap together.



10 Connecting the supply lines

Attach the water supply lines (not included) to the threaded ends of the faucet. Do not over tighten.

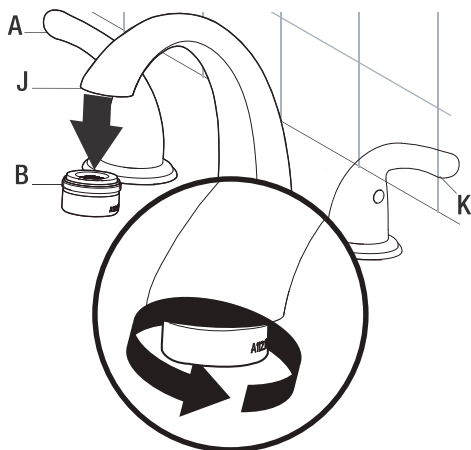


Operation

1 Flushing and checking for leaks

IMPORTANT: After installation is complete, remove the aerator to flush the water lines. Do not lose the gasket (1) in the aerator.

- Ensuring the handles are in the off position, turn on the water supply and check for leaks. If you discover any leaks, check your connections to ensure they are installed properly.
- Remove the aerator and housing (if applicable). Turn on the hot and cold handles to allow the water to run for at least one minute. This flushes away any debris that could cause damage to internal parts.
- Turn off the water and reinstall the aerator and housing (if applicable).



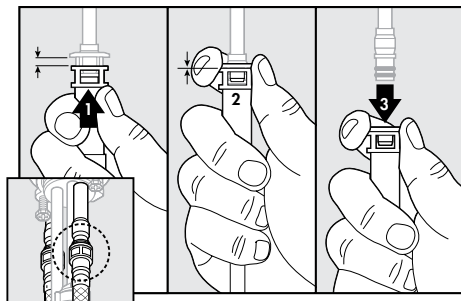
Operation (continued)

2 Removing the quick connector



CAUTION: Use caution when removing the quick connecting hose connections in order to prevent cutting your hands.

- If it is necessary to remove the quick connector, push the quick connector housing (I) up, hold the housing together and pull down



Care and Cleaning

- To clean, wipe down with a damp cloth and towel dry.
- Do not use abrasive cleaners, steel wool, or harsh chemicals when cleaning this faucet, or the warranty will be voided.

Troubleshooting

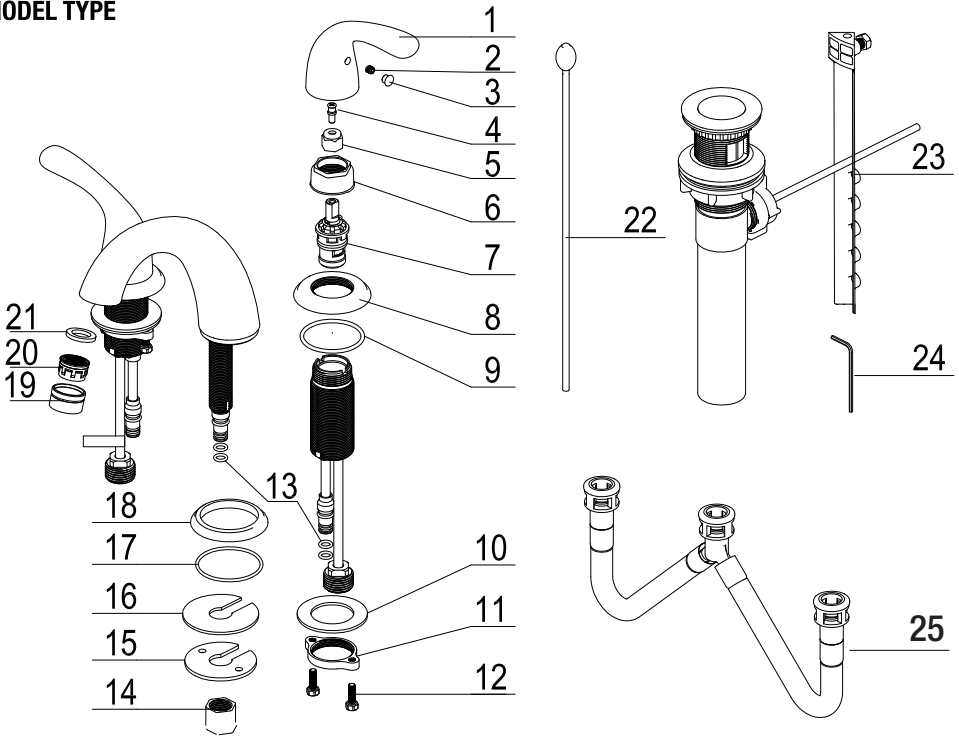


NOTE: Refer to the service parts section in this manual for a detailed drawing showing the location of the parts listed below.

Problem	Possible Cause	Solution
There are leaks from the handle.	The bonnet nut is loose. The O-ring on the cartridge is dirty or damaged.	<ul style="list-style-type: none"> □ Tighten the bonnet nut. □ Clean or replace the cartridge.
The aerator leaks or has a reduced water flow.	The aerator is dirty or mis-fitted.	<ul style="list-style-type: none"> □ Remove the aerator and check for debris. □ Ensure the aerator is properly installed.
The spout leaks.	The retainer nut is loose.	<ul style="list-style-type: none"> □ Tighten the retainer nut.
Leaking from sink drain at the base of the sink.	Rough or irregular surface on sink.	<ul style="list-style-type: none"> □ Apply additional silicone sealant to the beveled side of the drain flange. □ Retighten and test for leaks.
The water will not shut off completely.	The bonnet nut is loose or cartridge is not positioned correctly.	<ul style="list-style-type: none"> □ Remove the cartridge to check the rubber seat and spring. □ Tighten bonnet nut. □ Clean or replace.

Service Parts

MODEL TYPE



Part	Description	Part Number
1	Faucet handle	RE2212061*
2	Handle Screw	RE2251034
3	Red index	RE2243048H
	Blue index	RE2243048C
4	Adapter screw	RE2251033
5	Adapter	RE2212059
6	Bonnet nut	RP2213010CP
7	Cartridge(hot)	RE2262033AH
	Cartridge(cold)	RE2262033AC
8	Handle base	RE8513004*
9	Handle base o-ring	RE2250044
10	Metal washer	RE8563005
11	Guide washer	RE8554002

Part	Description	Part Number
12	Screw	RE2251020
13	O-ring	RE2250019
14	Lock nut	RE8552003
15	Metal spacer	RE8563003
16	Rubber spacer	R2250538
17	Spout base o-ring	RE2250040
18	Spout base	RE8513003*
19	Aerator cover	RE2234214-15*
20	Aerator gasket	RE2234004A-15
21	Washer	RE2250531
22	Lift rod	RE2233036*
23	Pop up assembly	RE2233014A*
24	Wrench	RE2254016
25	Quick connecting hose	RE8522003A

*Specify Finish



Questions, problems, missing parts?

Before returning to the store, call Glacier Bay Customer Service

8 a.m. - 7 p.m., EST, Monday - Friday

9 a.m. - 6 p.m., EST, Saturday

1-855-HD-GLACIER (1-855-434-5224)

HOMEDEPOT.COM/GLACIERBAY

Retain this manual for future use.