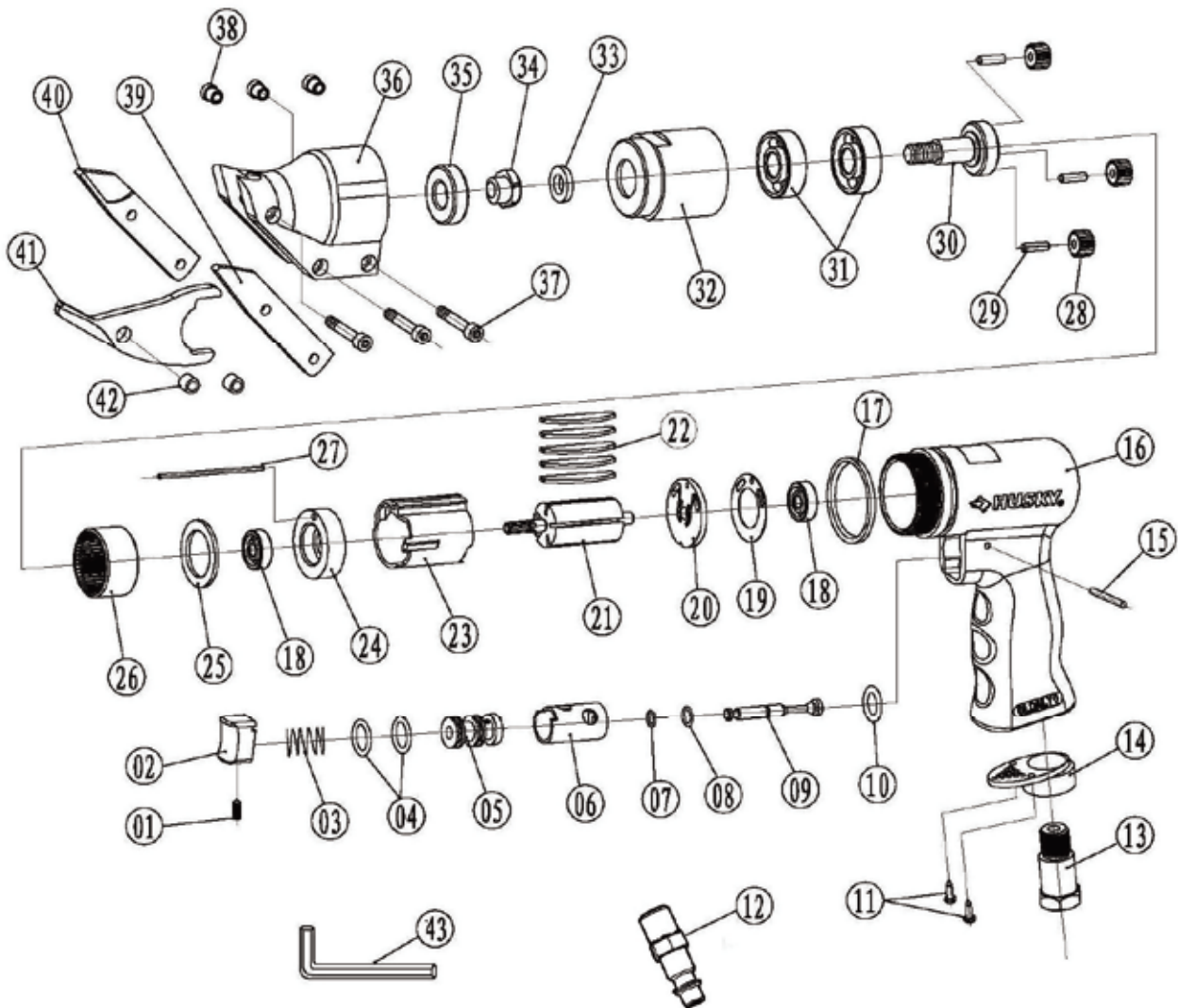


# Exploded View and Parts List

## Air Shear

Model No. CAT822



Ref.#	Part No.	Description	Qty	Ref.#	Part No.	Description	Qty
1	CAT822-AS-01	Set Screw	1	23	CAT822-AS-23	Cylinder	1
2	CAT822-AS-02	Trigger	1	24	CAT822-AS-24	Front Endplate	1
3	CAT822-AS-03	Spring	1	25	CAT822-AS-25	Washer	1
4	CAT822-AS-04	O-ring 11.5x1.8	2	26	CAT822-AS-26	Gear	1
5	CAT822-AS-05	Controller	1	27	CAT822-AS-27	Pin	1
6	CAT822-AS-06	Brass Bushing	1	28	CAT822-AS-28	Idle Gear	3
7	CAT822-AS-07	O-ring 4x1.1	1	29	CAT822-AS-29	Idle Gear Pin	3
8	CAT822-AS-08	O-ring 4x2	1	30	CAT822-AS-30	Spindle	1
9	CAT822-AS-09	Valve Stem	1	31	CAT822-AS-31	Ball Bearing 6201Z	2
10	CAT822-AS-10	O-ring 14x2	1	32	CAT822-AS-32	Gear Case	1
11	CAT822-AS-11	Screw	2	33	CAT822-AS-33	Washer	1
12	CAT822-AS-12	Plug	1	34	CAT822-AS-34	Eccentric Driver	1
13	CAT822-AS-13	Inlet Bushing	1	35	CAT822-AS-35	Ball Bearing R8Z	1
14	CAT822-AS-14	Exhaust Deflector	1	36	CAT822-AS-36	Shear Head	1
15	CAT822-AS-15	Pin	1	37	CAT822-AS-37	Head Locking Screw	3
16	CAT822-AS-16	Housing	1	38	CAT822-AS-38	Cap Screw Nut	3
17	CAT822-AS-17	Red Collar	1	39	CAT822-AS-39	Left Blade	1
18	CAT822-AS-18	Bearing 626ZZ	2	40	CAT822-AS-40	Right Blade	1
19	CAT822-AS-19	Endplate Gasket	1	41	CAT822-AS-41	Center Blade	1
20	CAT822-AS-20	Rear Endplate	1	42	CAT822-AS-42	Shear Bushing	2
21	CAT822-AS-21	Rotor	1	43	CAT822-AS-43	Hex Key	1
22	CAT822-AS-22	Vane	5				