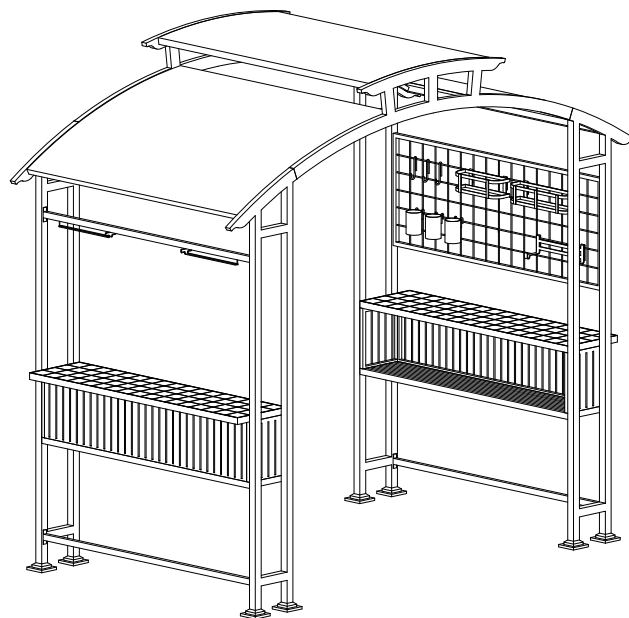


Item #1000 001 2636
Model #L-GG013PST

USE AND CARE GUIDE

WALKER GRILL GAZEBO



Questions, problems, missing parts? Before returning to the store,
call Hampton Bay Customer Service
8 a.m. - 6 p.m., EST, Monday-Friday

1-855-HD-HAMPTON

HAMPTONBAY.COM

THANK YOU

We appreciate the trust and confidence you have placed in Hampton Bay through the purchase of this grill gazebo. We strive to continually create quality products designed to enhance your home. Visit us online to see our full line of products available for your home improvement needs. Thank you for choosing Hampton Bay!

Table of Contents

Table of Contents.....	2	Hardware Included.....	3
Safety Information.....	2	Package Contents	4-5
Warranty.....	2	Assembly	6-8
What is Covered	2	Care and Cleaning	9
What is Not Covered	2		
Pre-Assembly	3		
Planning Assembly.....	3		

Safety Information

1. Some parts may contain sharp edges. Wear protective gloves.
2. When assembling and using this product, basic safety precautions should always be followed to reduce the risk of personal injury and damage to equipment. Please read all instructions before assembly and usage.



DANGER: This unit is heavy! Do not assemble this item alone.



WARNING: Do not leave the gazebo where there is a risk of high wind, as possible damage will occur to the structure.



CAUTION: Do not climb on top of the gazebo. Falling off the gazebo can result in serious injury, possibly even death.

NOTICE: For outdoor use only.

Warranty

2 YEARS WARRANTY

WHAT IS COVERED

This limited warranty is extended to the original purchaser and applies to defects in materials and workmanship of your item provided the item is maintained with care and used only for personal, residential purposes. The item is warranted to be free from defects in material or workmanship for a period of 2 years.

WHAT IS NOT COVERED

We don't reimburse for transportation of delivery costs, or compensate the individual or any outside party for assembling or disassembling the product.

Contact the Customer Service Team at 1-855-HD-HAMPTON or visit www.Hamptonbay.com.

Pre-Assembly

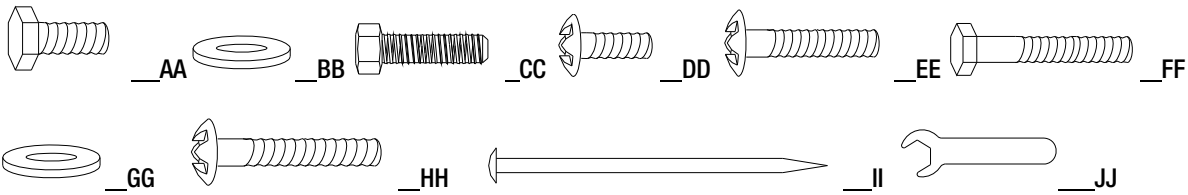
PLANNING ASSEMBLY

Before beginning assembly of product, make sure all parts are present. Compare parts with package contents list and diagram above. If any part is missing or damaged, do not attempt to assemble the product. Contact customer service for replacement parts.

HARDWARE INCLUDED



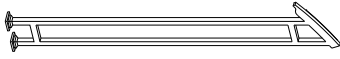
NOTE: Hardware not shown to actual size.



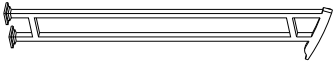
Part	Description	Quantity
AA	M6X15 Bolt	24
BB	M6 Flat Washer	92
CC	M6X25 Bolt	16
DD	M6X15 Bolt	24
EE	M6X25 Bolt	12
FF	M6X35 Stainless Steel Bolt	4
GG	M6 Stainless Steel Flat Washer	4
HH	M6X35 Bolt	16
II	Ground Stake 8x180	8
JJ	M6 Wrench	2

Pre-Assembly (continued)

PACKAGE CONTENTS



._A



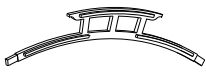
._B



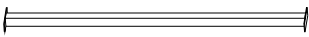
._C



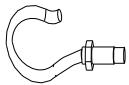
._D



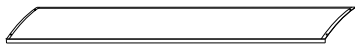
._E



._F



._G



._H



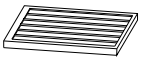
._I



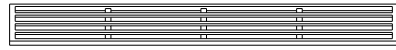
._J



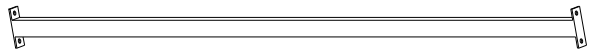
._K1



._K2



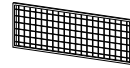
._L



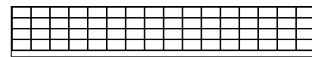
._M



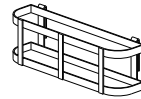
._N



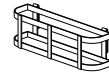
._O



._P



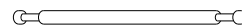
._Q



._R



._S



._T



._U



._V



._W

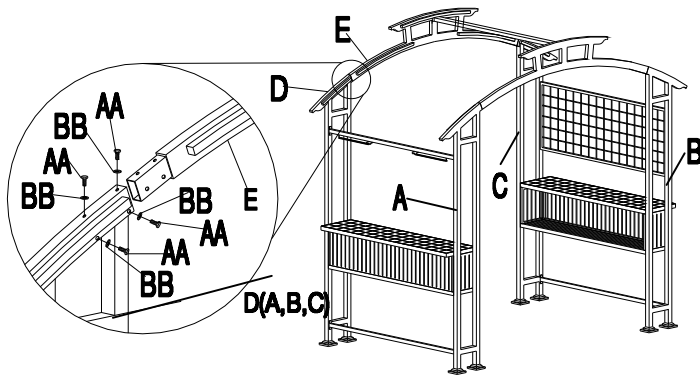
Part	Description	Quantity
A	Post 1	1
B	Post 2	1
C	Post 3	1
D	Post 4	1
E	Top beam	2
F	Beam	1
G	Hook	2
H	Big cover	2
I	Small cover	1
J	Front panel	2
K1	Side panel 1	2
K2	Side panel 2	2
L	Bottom board	2
M	Post beam	2
N	Wine glass holder	1
O	Screen	1
P	Table top	2
Q	Big rack	1
R	Small rack	1
S	Napkin holder	1
T	Paper towel holder	1
U	Cup holder	3
V	Utensil hook	3
W	Connector	8

Assembly

1 Attaching the top beams to the posts

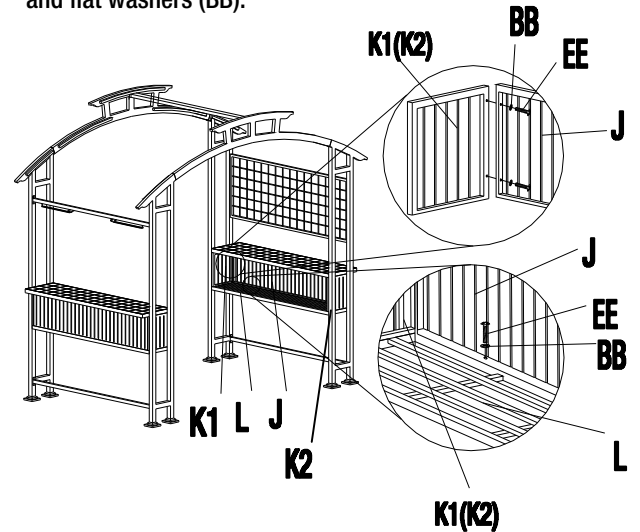
- Insert the top beam (E) into post 1 (A), post 2 (B), post 3 (C), and post 4 (D), secure with flat washers (BB) and bolts (AA).

NOTE: To avoid destroying the finish, please handle it with care.



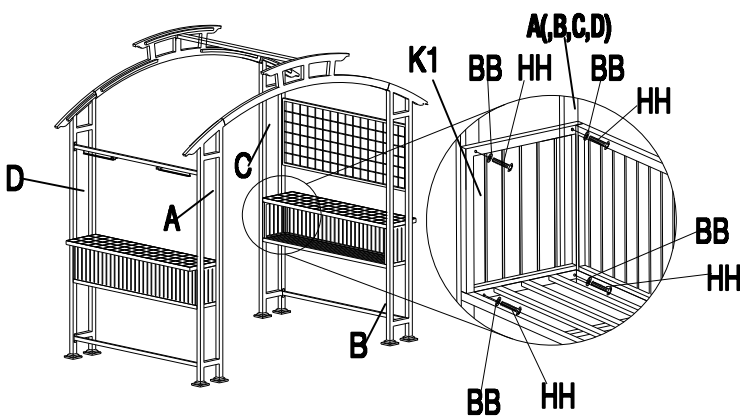
2 Attaching the front and side panels to the bottom boards

- Tighten the front panels (J) and side panels 1 and 2 (K1 and K2) using bolts (EE) and flat washers (BB).
- Tighten the front panel (J) and bottom board (L) using bolts (EE) and flat washers (BB).



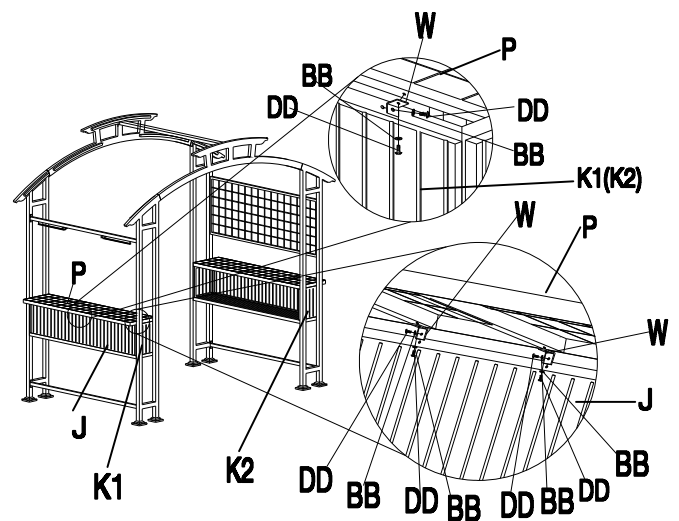
3 Connecting the frame to the posts

- Lift the assembled frame and secure them to the posts by using bolts (HH) and flat washers (BB).



4 Attaching the table top

- Put the table top (P) onto the top of the assembly frame. Attach with connectors (W), bolts (DD), and flat washers (BB). Connect the table top (P) and front panel (J) using connectors (W), bolt (AA), and flat washers (BB).

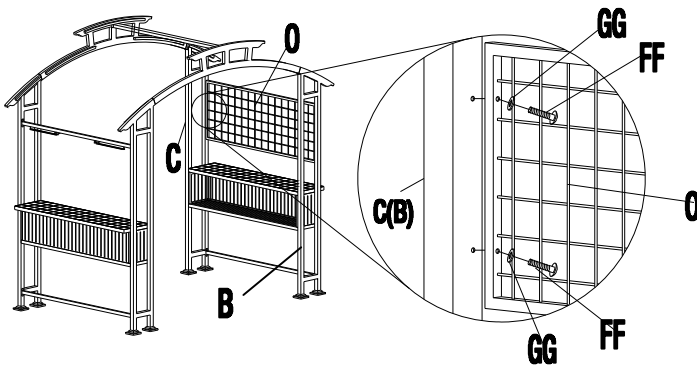


Assembly (continued)

5 Attaching the screen

- Attach the screen (O) onto the middle of post 2 (B) and post 3 (C) using stainless steel bolts (FF) and stainless steel flat washers (GG).

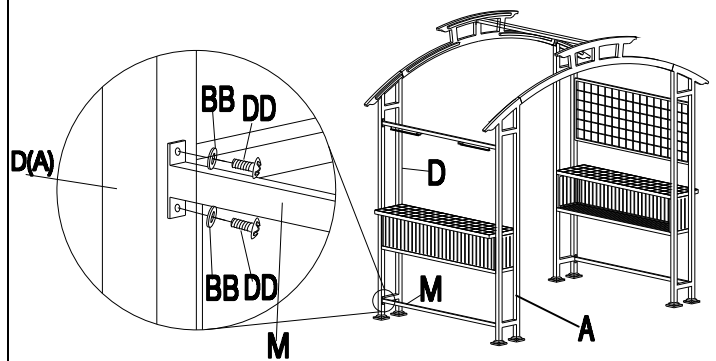
NOTE: To avoid destroying the finish, please handle it with care.



6 Attaching the post beams

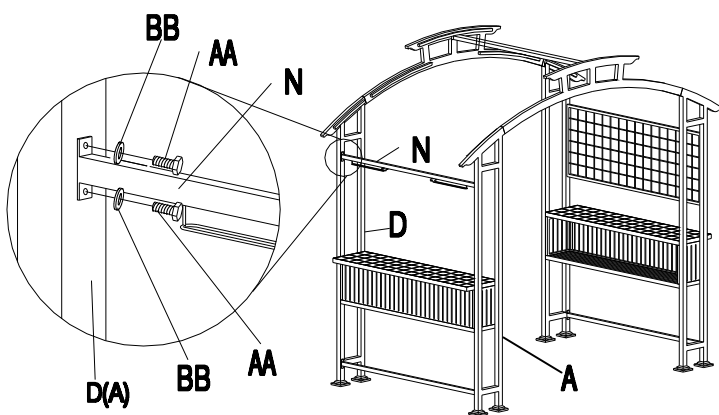
- Attach the post beams (M) to the ends of the posts (A - D) using bolts (DD) and flat washers (BB).

NOTE: To avoid destroying the finish, please handle it with care.



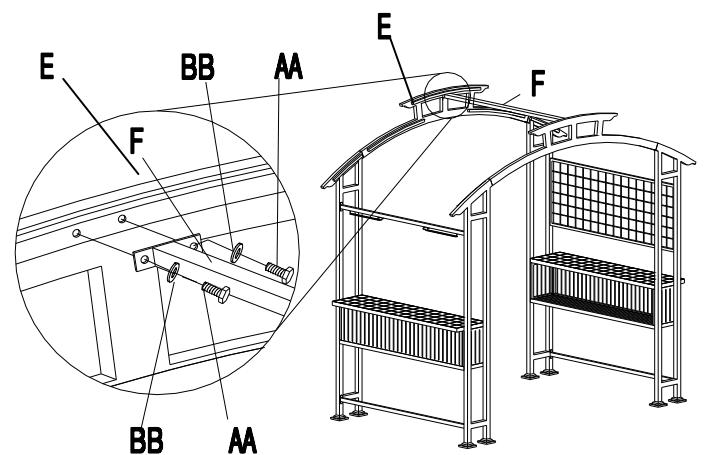
7 Attaching the wine glass holder

- Attach the wine glass holder (N) to the top of post 1 (A) and post 4 (D) with bolts (AA) and flat washers (BB).



8 Attaching the long beam to the top beams

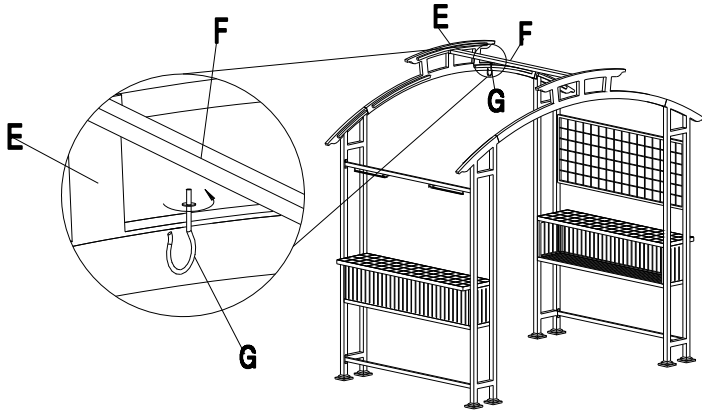
- Attach the long beam (F) to the top long beams (E) using flat washers (BB) and bolts (AA).



Assembly (continued)

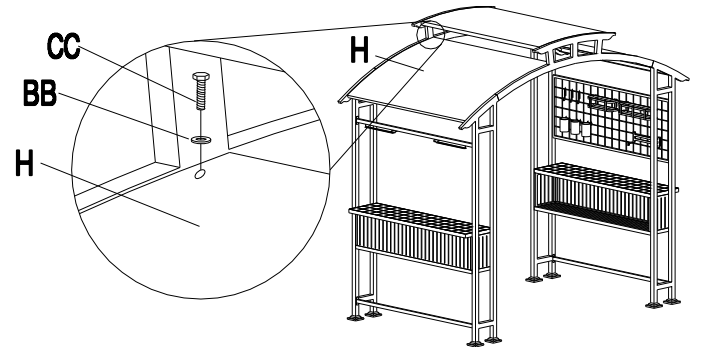
9 Attaching the hook

- Screw the hook (G) on the beam (F) as shown.



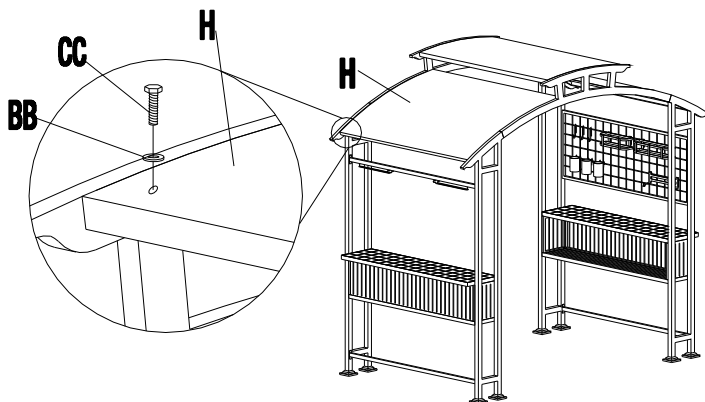
10 Attaching the big cover

- Attach the big cover (H) to the ends of the inside of the side frames using bolts (CC) and flat washers (BE).



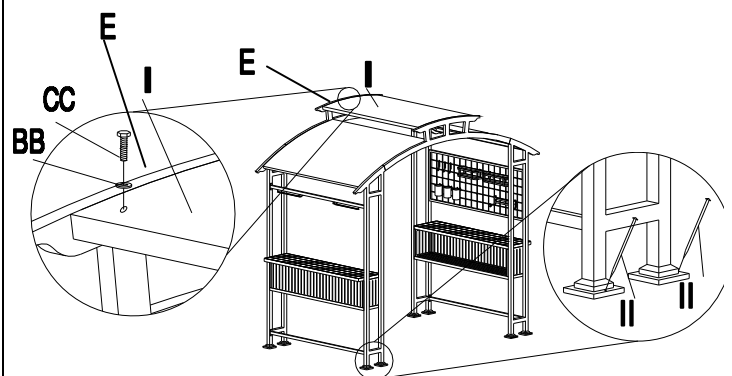
11 Securing the big cover

- Secure the big cover (H) to the upper side of the inside of the frame assembly using bolts (BB) and flat washers (BB).



12 Securing the gazebo

- Attach the small cover (I) to the top beams (E) using bolts (CC) and flat washer (BB). Secure the completely assembled grill gazebo into the ground using the ground stakes (II).



Care and Cleaning

- Before using, clean the gazebo completely with a soft dry towel.
- Do not put your gazebo in wet conditions where there is a risk of rust developing.
- When not in use, store in a cool, dry area.



Questions, problems, missing parts? Before returning to the store,
call Hampton Bay Customer Service
8 a.m. - 6 p.m., EST, Monday-Friday

1-877-527-0313

HAMPTONBAY.COM

Retain this manual for future use.