

FVN62-3012-UNS

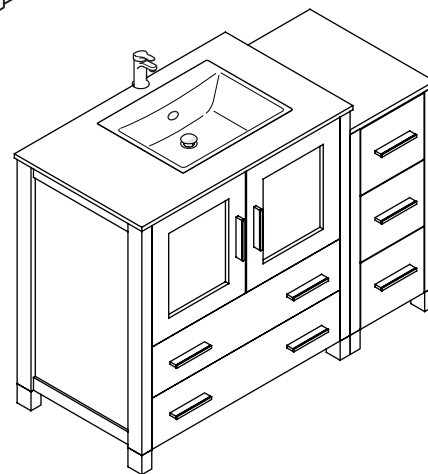
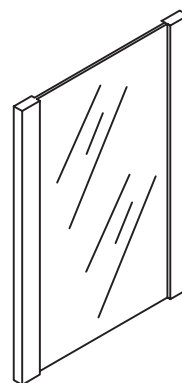
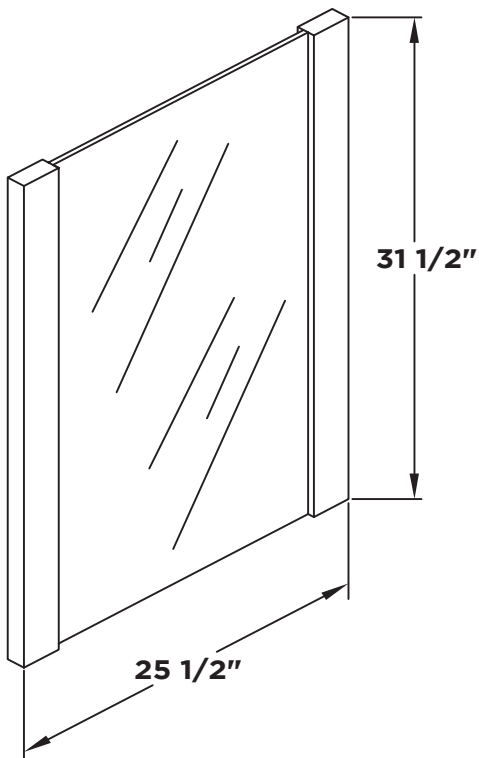
TORINO

INSTALLATION GUIDE

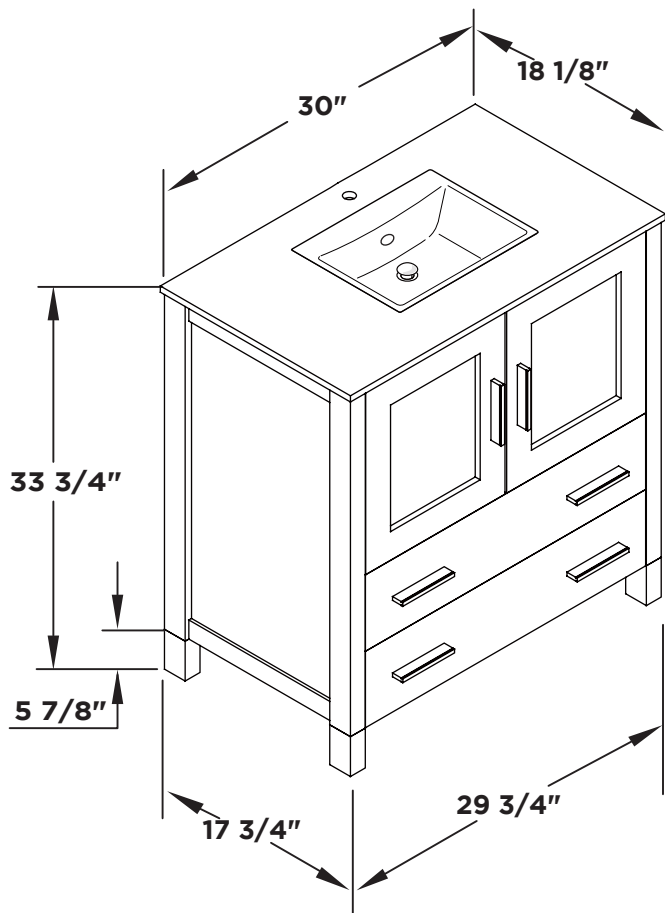


FRESCA

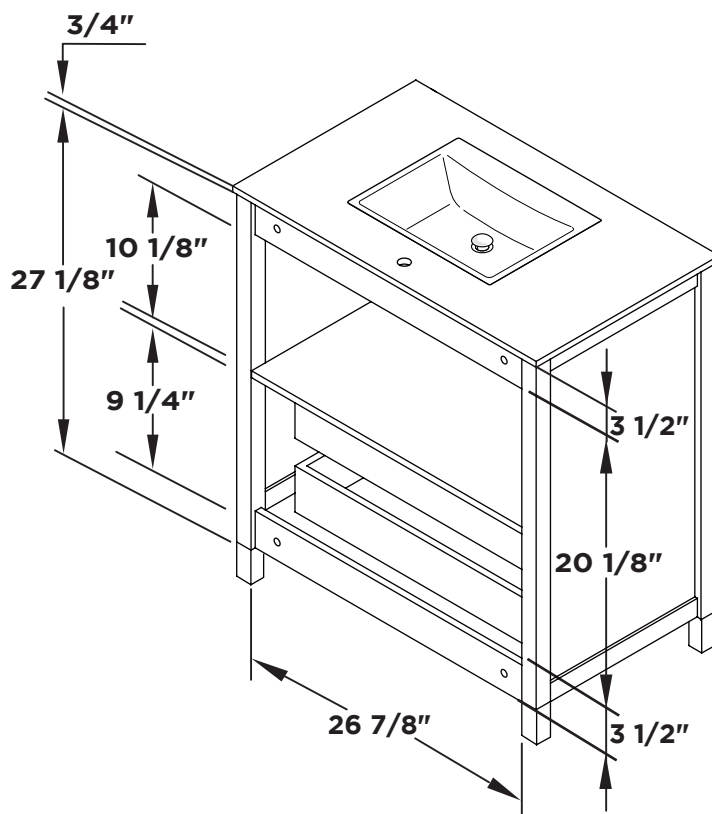
Mirror



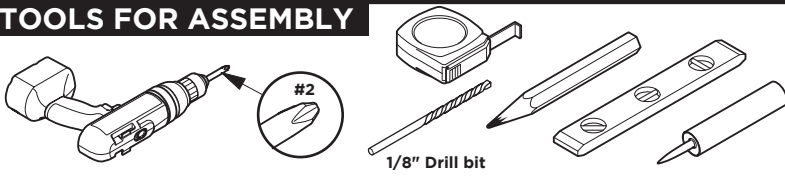
Vanity Front



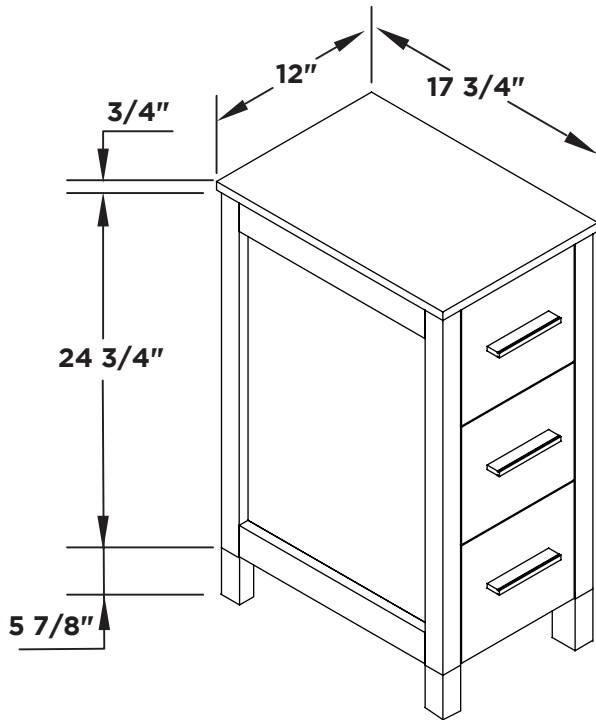
Vanity Back



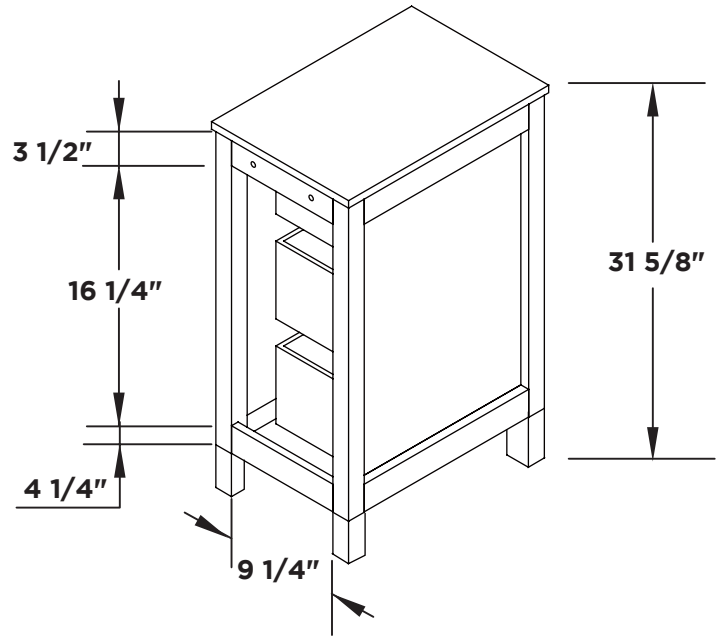
## TOOLS FOR ASSEMBLY



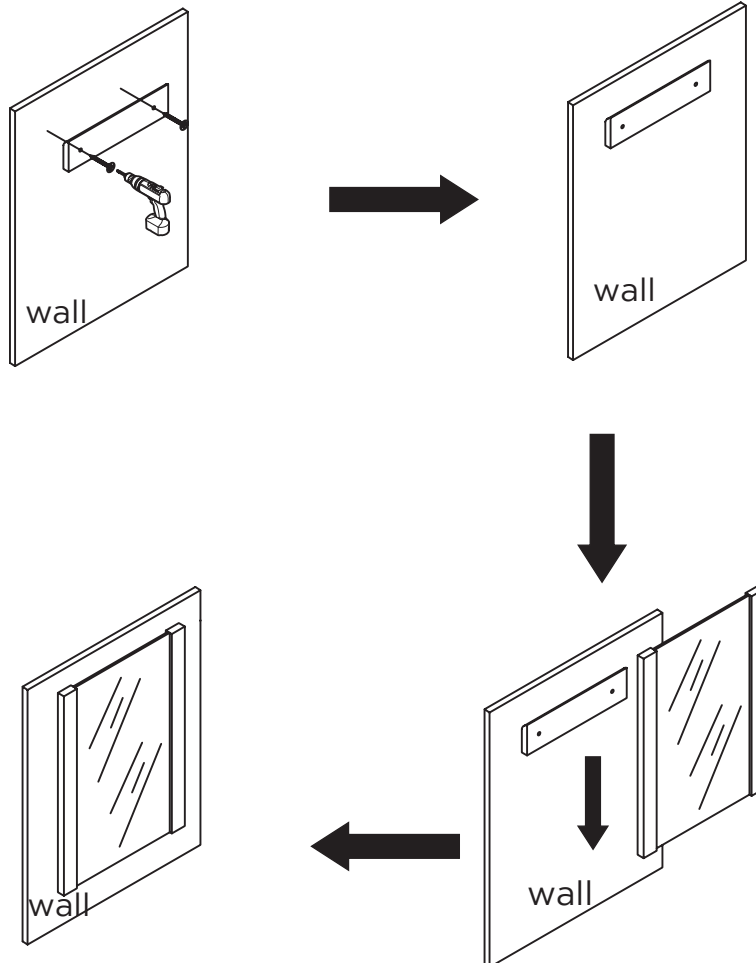
Side Cabinet Front



Side Cabinet Back

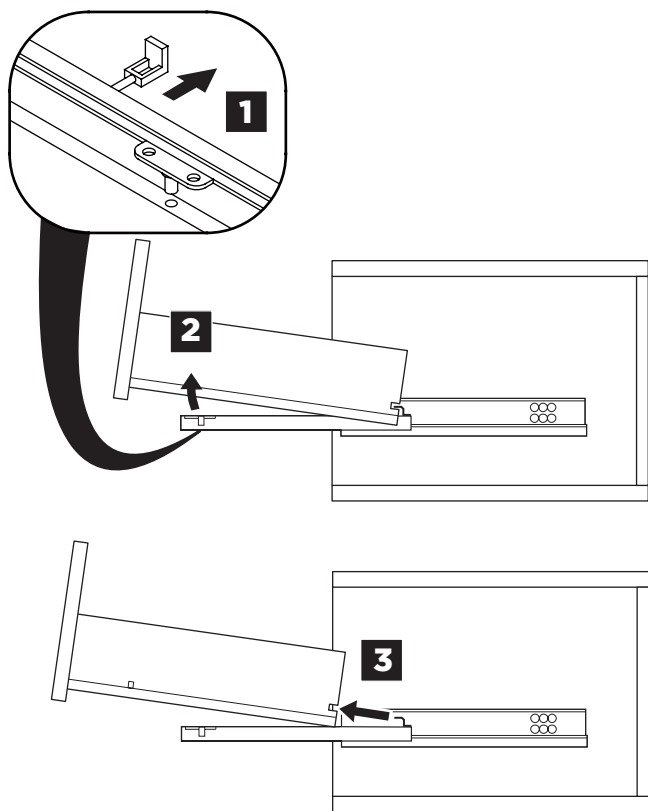


## MIRROR INSTALLATION

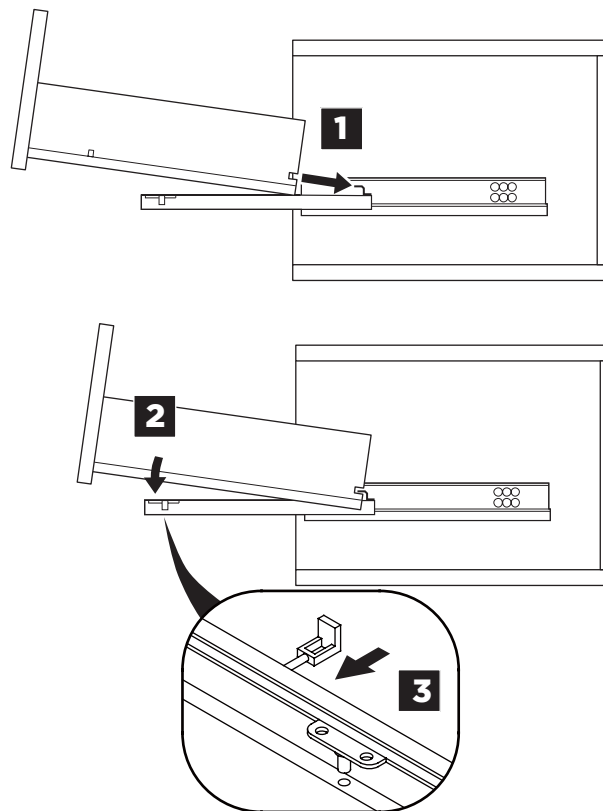


# DRAWER REMOVAL & INSTALLATION

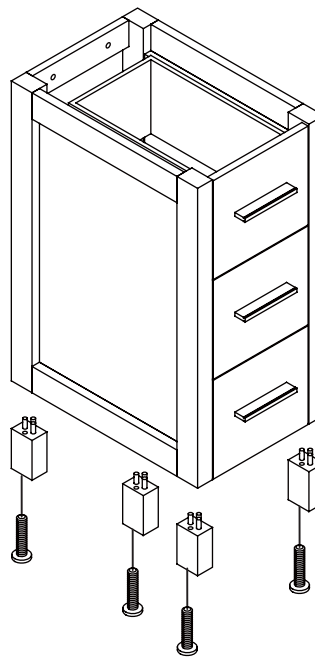
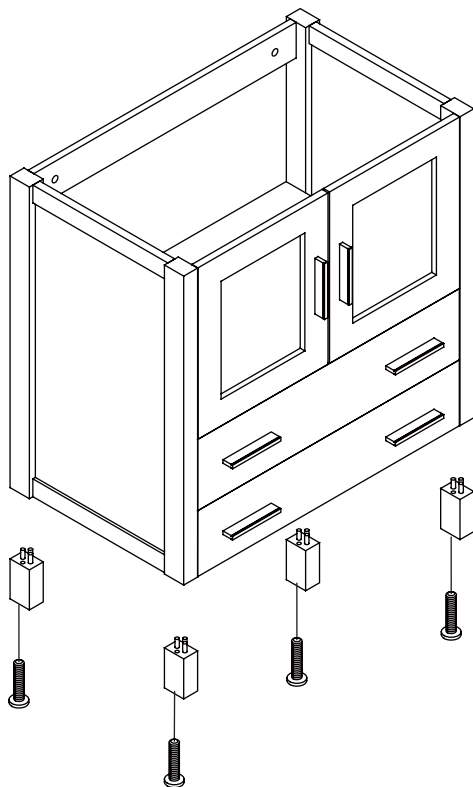
## REMOVAL



## INSTALLATION



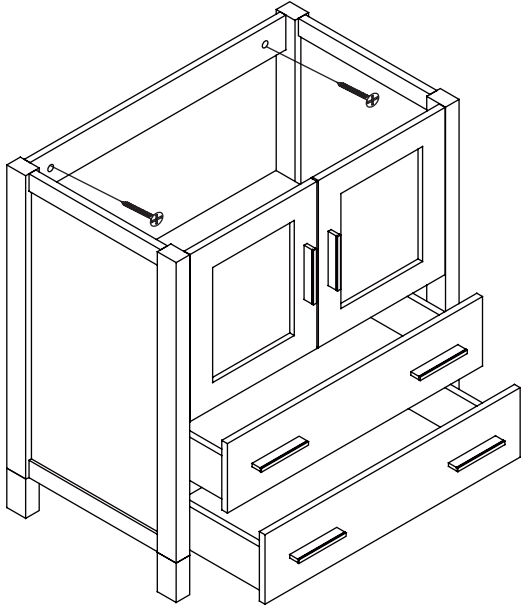
## 1 Install leg



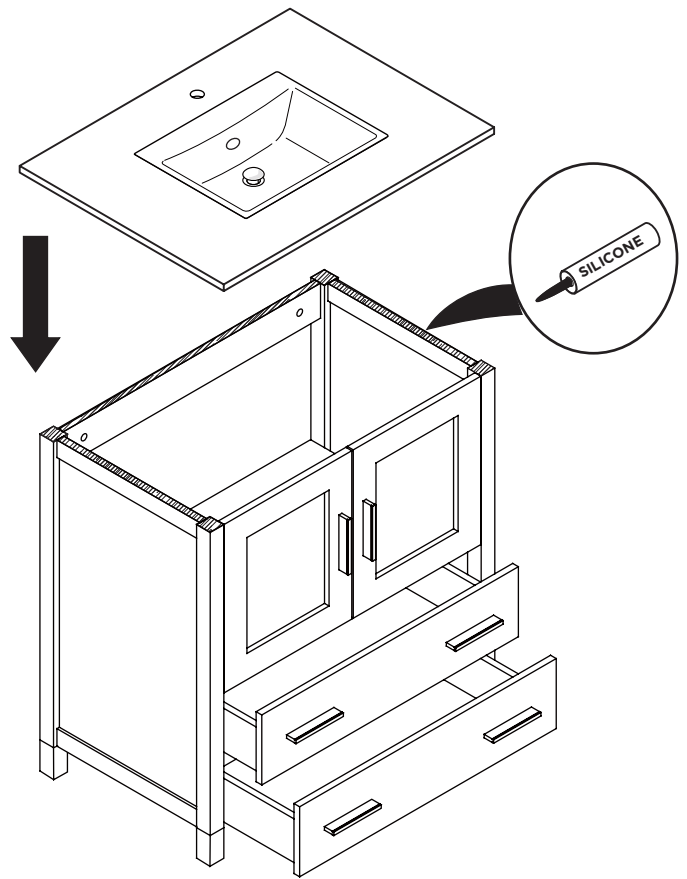
**2** Remove drawer

**3** Install cabinet

**IMPORTANT:** Consult an expert for the proper screws/bolts to use when attaching to various wall constructions. Screws provided do not attach to all wall construction types.

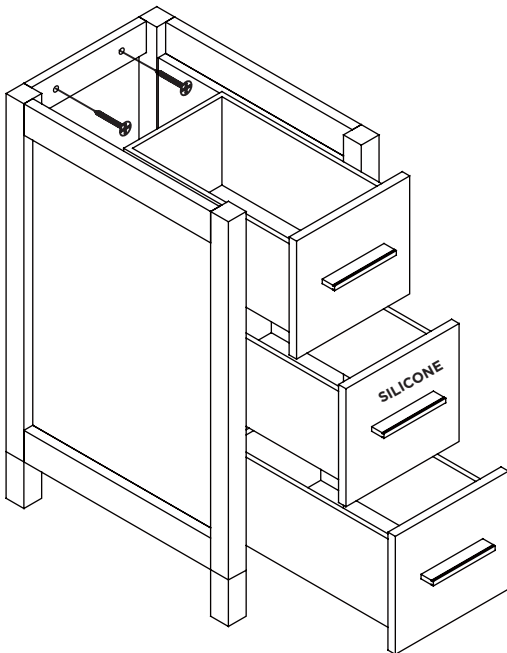


**4** Install top panel



**5** Remove side cabinet drawer

**6** Install side cabinet



**7** Install side cabinet top panel

