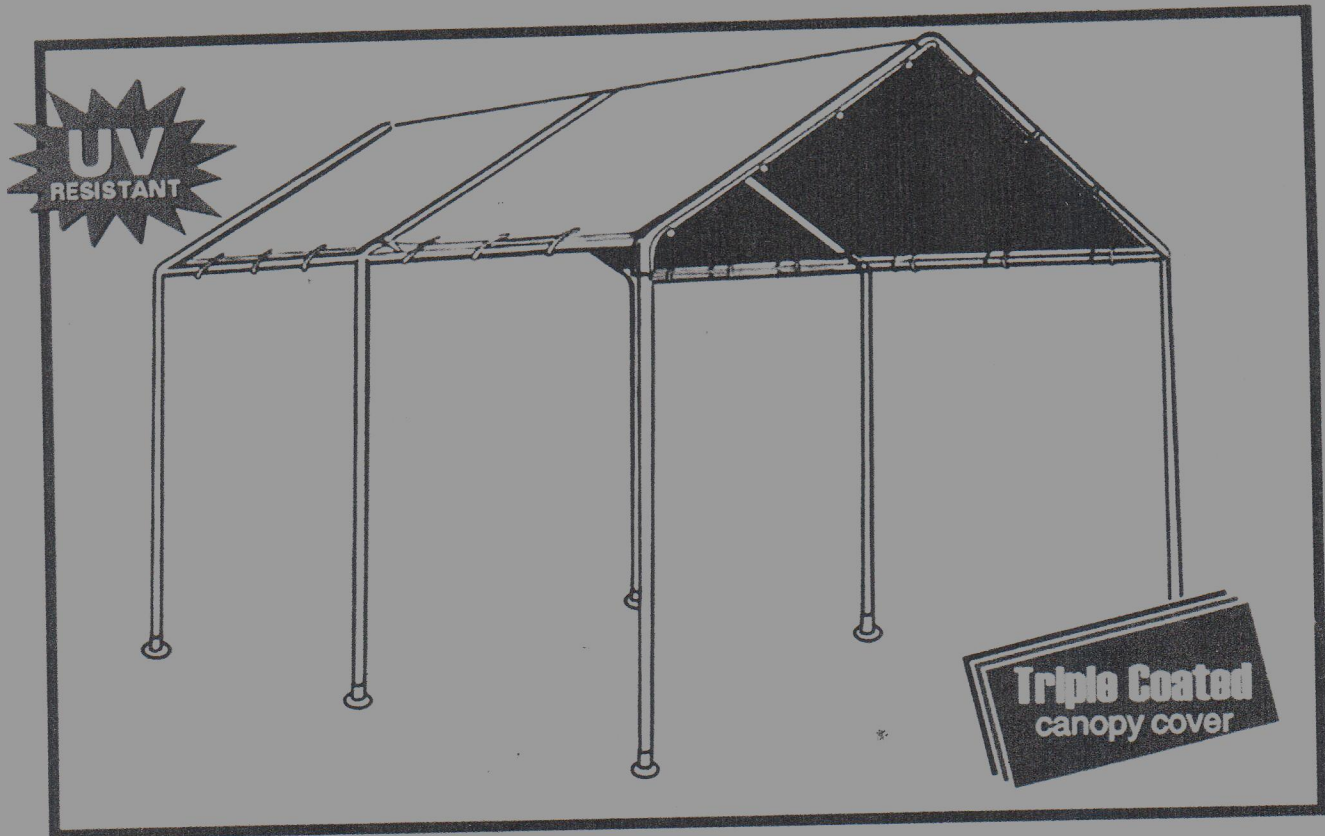


10' X 20' ALL-PURPOSE CANOPY



MODEL NO.: CAN1020

UPC 608383 038124

Size: 10 FT 8 IN x 20 FT x 5 FT 10 IN side height
With 6 legs and a UV Rated Canopy Cover

PARTS

68" Powder Coated Pipe
Quantity 18



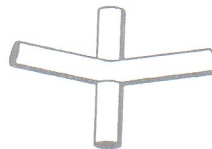
52" Powder coated Pipe
Quantity 6



3 Way Corners
Quantity 6



4 Way Corners
Quantity 3



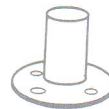
Elastic Ball Straps
Quantity 50



UV Rated Canopy Cover
Quantity 1

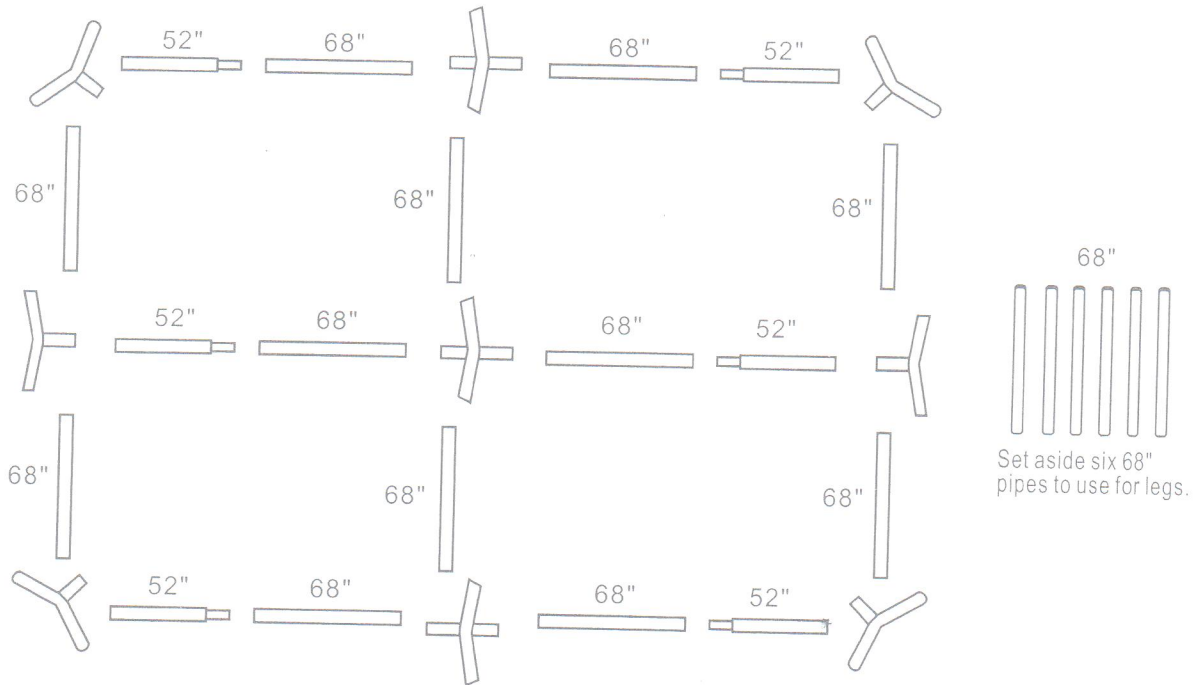


Plastic Foot Pads (Not for anchoring)
Quantity 6

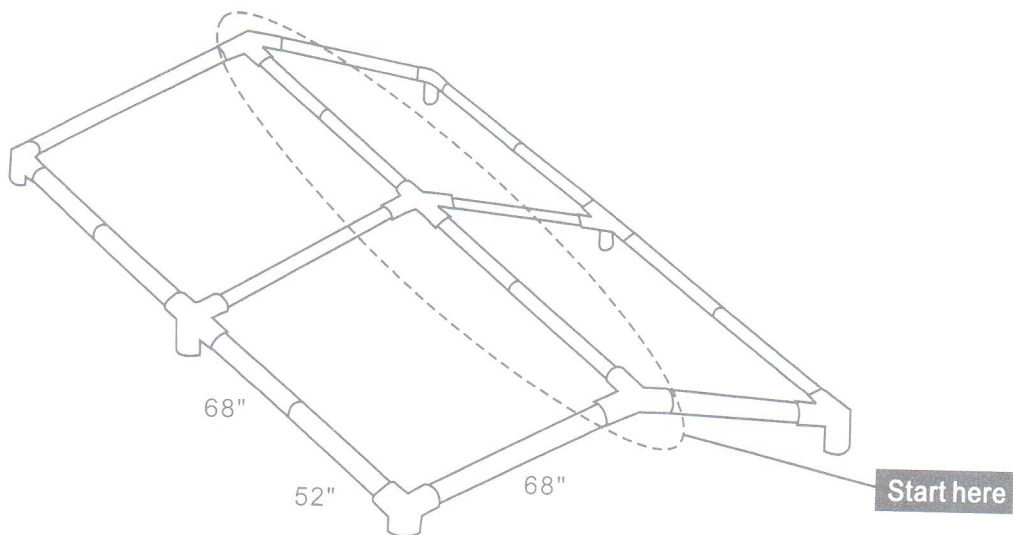


FRAME ASSEMBLY

1 Place all corners and pipes on the ground.
Push the male end of the 52" pipe into the 68" pipe.



2 Connect pipes together starting with the center frame.
Then assemble each side.



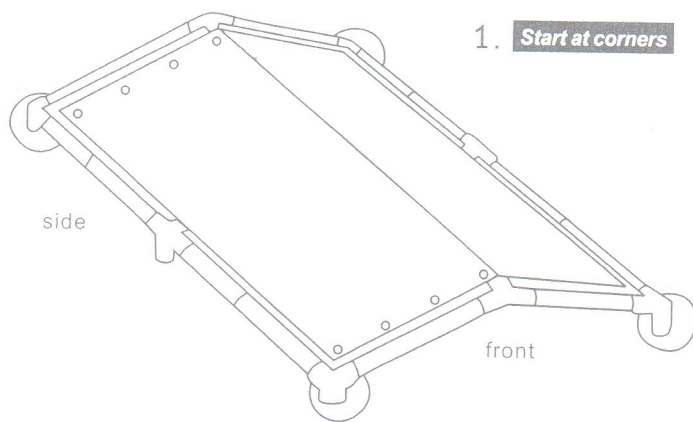
ATTACHING COVER WITH BALL STRAPS

3

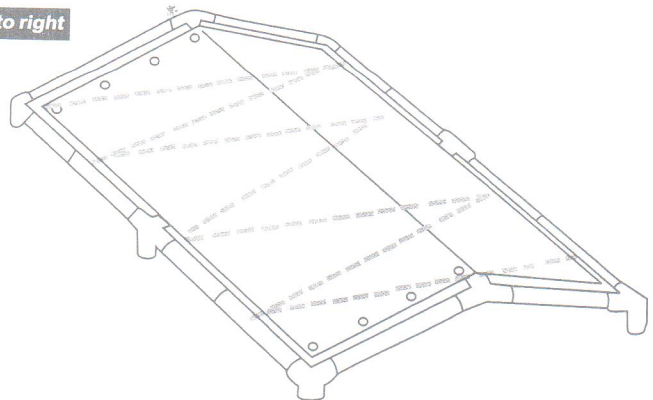
Unfold the cover putting the grommets on the bottom. This allows the flap to cover the outside edge of the frame. Once unfolded, place the cover over the frame. Begin attaching cover with elastic ball straps.

1. Start by attaching 2 straps at each of the four corners.
2. Continue attaching straps from left to right down the sides of the canopy.
3. Finally, attach straps from front to back until all straps are secure.

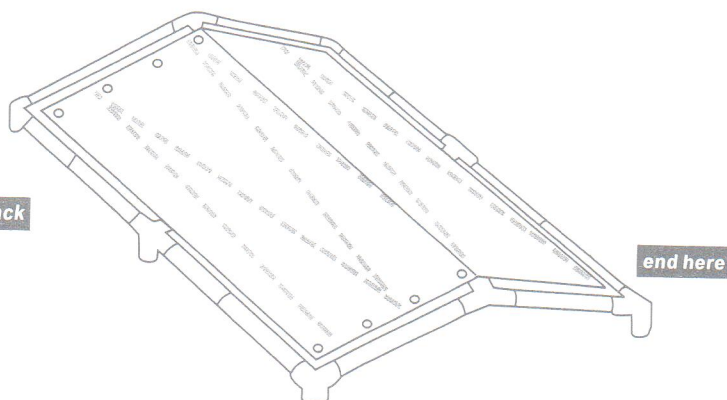
(Attach ball straps as shown on page 4)



2. **go left to right**



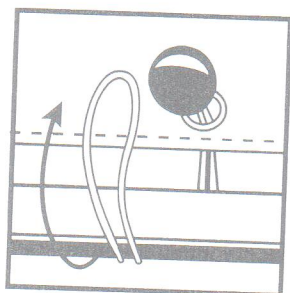
3. **go front to back**



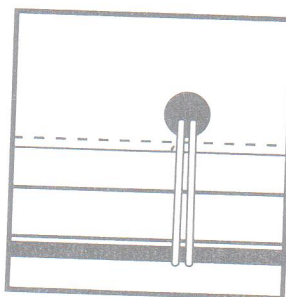
ATTACHING COVER WITH BALL STRAPS

4

First insert the cord of the elastic ball strap underneath the cover and through the grommet. Then pull cord until ball stops. Wrap the cord around the pole and then around the ball. This will hide the ball under the cover and create a neater look. *(For best fit follow diagram in step 3)*



INSIDE VIEW



OUTSIDE VIEW

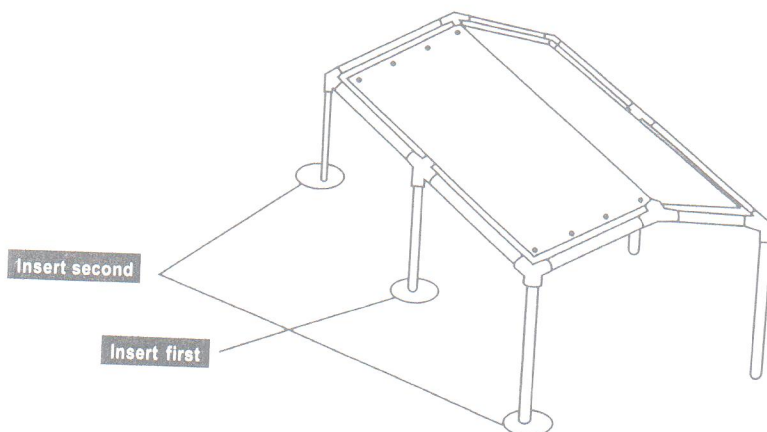
TO GET A TIGHTER FIT ON CANOPY COVER

- The ball straps are long enough to accommodate various cover lengths. If your straps are too long for a tight fit they can be shortened by making an additional knot in the strap cord.
 - Slide the ball upwards to reveal the tied knot.
 - Tie a new knot above the old one. The length taken up here determines how short the strap becomes.
 - Slip the ball down over the new knot.
 - Cut off the excess cord.

PUTTING LEGS ON CANOPY FRAME

5

First insert both middle legs on one side, then insert the end legs. Repeat on the other side. Once the legs are inserted, your canopy is a kite waiting to take off until you install the canopy anchors! *See the following page for canopy anchor installation.*



Anchor kit is NOT included with canopy

Metal Carport

Carports are great structures to use when protecting a vehicle from environmental damaging conditions such as the wind, rain, and snow. Installing a carport has now become a much easier task. Many carports come with step by step installation instructions from the manufacturer. One important installation step is anchoring the carport. A secure anchoring system will protect the carport from damaging winds.

When installing a carport, there are three basic methods used to anchor it securely. If the structure is going to be mounted to a concrete pad, it is recommended that one uses concrete wedge anchors are used. A 30 inch rebar anchor is recommended when a structure is mounted to a gravel surface.

The following is a general guide to installing many types of carport anchors to help you get an idea of what is involved:

Digging Holes for the Carport Anchor

1. Mark the locations of the rails and the anchor holes on the ground.
2. Move the base rails to one side and dig holes at a recommended 8" in diameter. The depth of the hole will depend on natural environmental conditions such as the strength of the wind in your area and the type of soil.

Anchoring to Concrete

1. Use a drill and masonry bit to drill into the concrete.
2. Put the metal base in place
3. Make a mark where the center hole is located in the post base.
4. Drill about 3-4" into the concrete
5. Place a brand bolt inside the concrete and tighten the nut.
6. Place the post base. Insert the bolt and put on the washer and nut. Tighten.
7. Place the stand off piece of metal
8. Install the wood post.
9. Allow the concrete to cure overnight

The anchor kit is one of the most important carport devices. Carport anchor kits are available for purchase online. The kits are designed for a variety of surfaces. Solid anchoring ensures that the carport will endure strong winds. Anchor kits are available in a variety of styles such as thick metal stakes and drive rods. Other anchor kits contain small metal auger stakes that screw into the ground. When choosing an anchor kit, make sure that it meets your requirements.