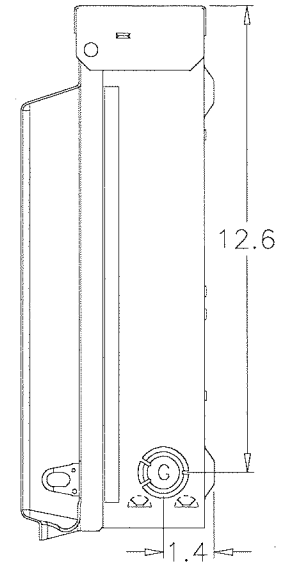
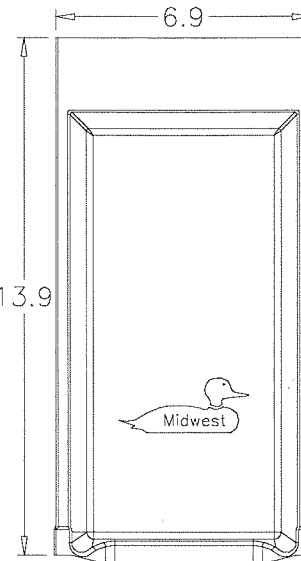
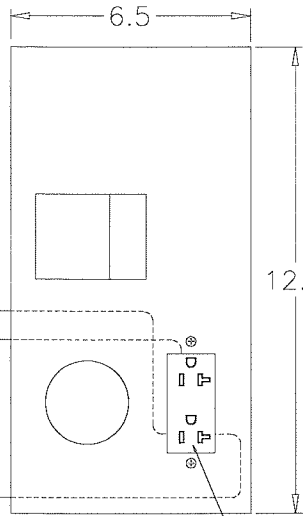
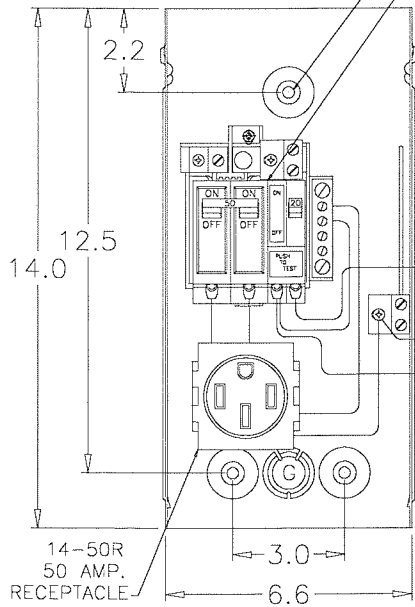
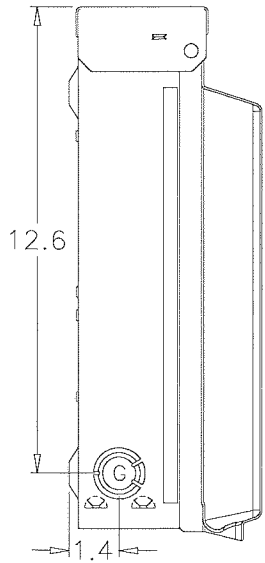


KNOCKOUT TABLE:

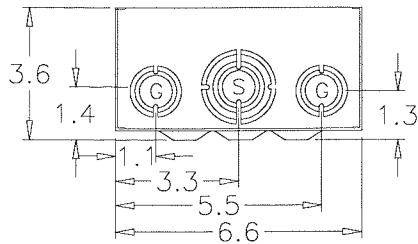
S= 1/2", 3/4", 1", 1-1/4", 1-1/2" KO
G= 1/2", 3/4", 1" KO

5/16" MOUNTING HOLE (3X)
 3 CIRCUIT 70 AMP LOAD CENTER
 50 AMP. BREAKER 2-POLE
 20 AMP. GFI BREAKER 1-POLE



WIRE RANGE TABLE :

CONNECTOR	COPPER		ALUMINUM	
	SOLID	STRAND	SOLID	STRAND
LINE	14-8	14-2	12-8	12-2
LOAD	14-10	14-10	---	---
NEUTRAL END HOLE	14-8	14-2	12-8	12-2
NEUTRAL SIDE HOLE	14-8	14-4	12-8	12-4
EQUIP. GRND.	12-8	12-2	12-8	12-2



MIDWEST ELECTRIC PRODUCTS, INC.
 Mankato, MN

Dr. By: JDE
 Ck. By:
 CR: R0746956

* = Critical To Quality

Unless Otherwise Specified

Tolerances On:
 3 Pl. Decimals ± .010
 2 Pl. Decimals ± .030
 Fractions ± 1/32
 Angles ± 1/2
 Holes ± .003

Dimensions Are In Inches

AutoCad Generated

SCALE 1 : 1

SIZE A

SHEET 1 OF 1

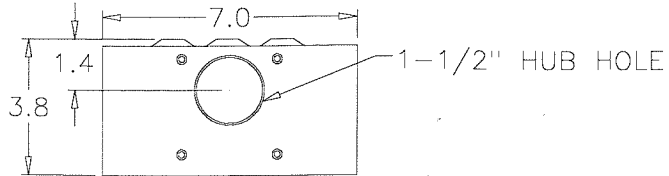
TITLE: U055G
 OUTLINE DRAWING

DWG NO: 265A6213

Rev.1 CR R0746956 JE 2-6-08
 Rev.2 CR R1113786 GLS 2-13-12

SH13

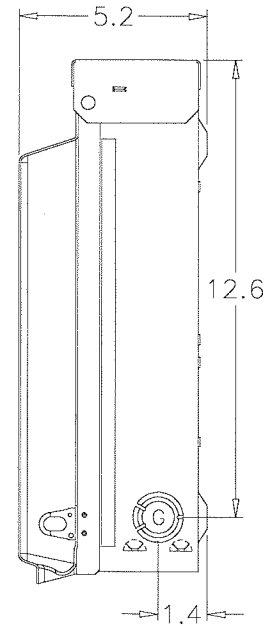
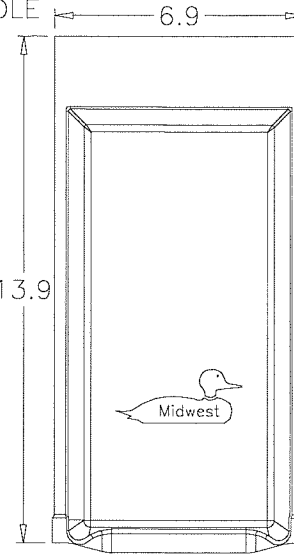
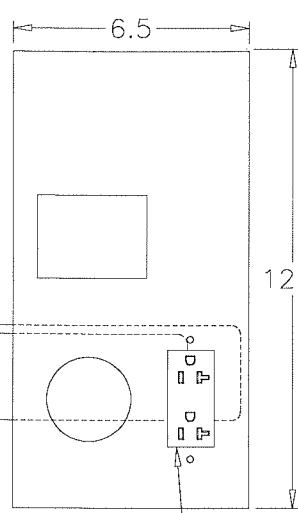
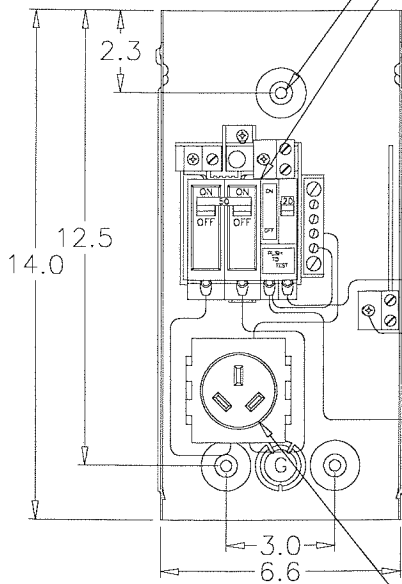
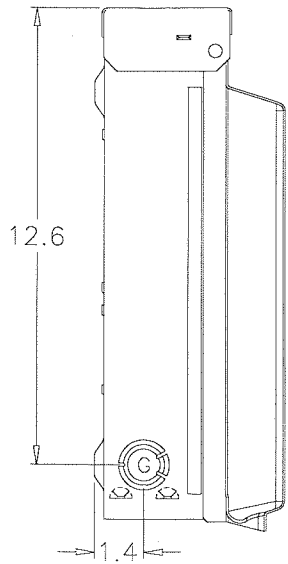
Y
 X



KNOCKOUT TABLE:

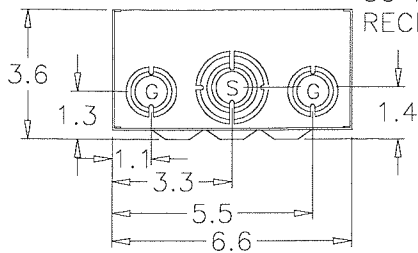
S= 1/2", 3/4", 1", 1-1/4", 1-1/2" KO
G= 1/2", 3/4", 1" KO

5/16" MOUNTING HOLE (3X)
 3 CIRCUIT 70 AMP LOAD CENTER
 50 AMP. BREAKER 2-POLE
 20 AMP. GFI BREAKER 1-POLE



10-50R
 50 AMP.
 RECEPTACLE

5-20R2
 20 AMP
 DUPLEX



WIRE RANGE TABLE:

CONNECTOR	COPPER		ALUMINUM	
	SOLID	STRAND	SOLID	STRAND
LINE	14-8	14-2	12-8	12-2
LOAD	14-10	14-10	-----	-----
NEUTRAL END HOLE	14-8	14-2	12-8	12-2
NEUTRAL SIDE HOLE	14-8	14-4	12-8	12-4
EQUIP. GRND.	12-8	12-2	12-8	12-2

SH21

MIDWEST ELECTRIC
 PRODUCTS, INC.
 Mankato, MN

Dr. By: JDE
 Ck. By:
 CR: R0814112

* = Critical To Quality
 Unless Otherwise Specified

Tolerances On:
 3 Pl. Decimals ± .010
 2 Pl. Decimals ± .030
 Fractions ± 1/32
 Angles ± 1/2°
 Holes ± .003
 Dimensions Are In Inches

AutoCad
 Generated

SCALE 1 : 1
 SIZE A

SHEET 1 OF 1

TITLE:
 U051G
 OUTLINE DRAWING

DWG NO:
 265A6213

Rev.1 CR R0814112 JE 2-19-08
 Rev.2 CR R1113786 CJS 2-13-12

X