



Hinge-It[®] Corp.

The BEST Towel Bars and Clothes Racks You'll Find!

3999 Millersville Rd. • Indianapolis, IN 46205
T: (317) 542-9514 • F: (317) 542-9524 • E: info@hingeit.com
www.hingeit.com

Hinge-It[®] 1100 SWIVEL ASSEMBLY and INSTALLATION INSTRUCTIONS

IF YOU HAVE A PROBLEM OR SHORTAGE

CALL 1-800-599-6328 M-F 8AM-4PM EST.

WE WILL SEND REPLACEMENT PARTS TO YOU!

CONTENTS:

- Three 1" x 17 1/4" Male steel pole
- One 1" x 17 1/4" Female steel pole (bottom)
- Two 1" large end cap for pole
- Four steel hanger bars
- Four 5/8" small flat end caps for **SHORT** end of bars.
- Four 1" ball end caps for **LONG** end bars.
- Eight plastic washer spacers
- Eight 1 1/2" x #10 pan head Screws
- One 1" x #10 Phillips head screw
- Two slotted hinge brackets
- Nail to aid removing hinge pin.

TOOLS REQUIRED

#2 Phillips Screwdriver, Hammer, Flat bladed screwdriver

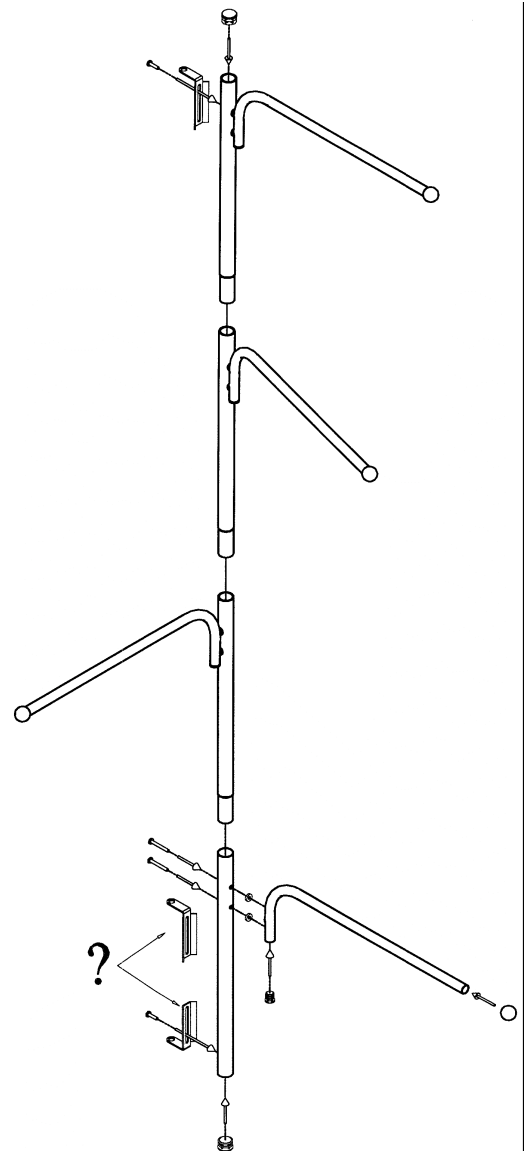
1. READ INSTRUCTIONS THOROUGHLY

Re-read instructions, remove and check all parts. Your Hinge-It is designed to give a lifetime of service. Screw holes may be tight. End caps are child proof. Call us if you have a problem or want to purchase wall mount brackets.

2. INSTALL END CAPS by pushing against a hard surface

like the floor, immerse ball caps in hot water. Four 5/8" small flat end caps for **SHORT** end of bars. Four 1" ball end caps for **LONG** end bars— **soak in hot tap water for a couple of minutes, push on all the way. Note there is a ridge on the inside for a tight fit. BALL END CAPS WILL NOT FALL OFF IF INSTALLED PROPERLY.**

One 1" large end cap for top & bottom of pole.



3. Measure the distance from the top of the top hinge to the top of the bottom hinge.

The top to bottom hole spacing on the pole is 60.5". There is a 3" slot in each bracket
60" – 53.5" top bracket down □, bottom in an up □ position.

61"-58.5" both brackets in an up □ position.

61.5-66.5" top bracket up □ bottom down □ position.

4. ASSEMBLE ARMS AND BRACKETS TO POLES

Top hole - put a long screw through upper hinge bracket through the pole through plastic washer spacer into bar. DO NOT TIGHTEN.

Put long screws through pole – through plastic washer spacer and screw into bar.

Put short screw through lower hinge bracket into single hole on backside at the bottom of the female pole. DO NOT TIGHTEN

5. ASSEMBLE UPPER (MALE) POLES TO BOTTOM (FEMALE) POLE

6. INSTALL and ADJUST HINGE BRACKETS

Hold assembly next to door's hinges.

Position brackets so they rest on top of upper and lower hinges. TIGHTEN bracket SCREWS

6. "WARNING": HINGES HOLD YOUR DOOR UP. Follow next step carefully.

Close door completely.

Remove BOTTOM hinge pin first, using hammer and nail in hole in the bottom of the hinge. If you have an old style hinge with no bottom hole, hammer a bladed screwdriver under the pin's head and pry up. WD40 or some "loosen all" makes this task easier.

Reinstall BOTTOM hinge pin placing it through the bottom hinge bracket.

Follow the same procedure for the TOP hinge.

Hinge-It SWINGS FOLLOWING THE DOOR MOVEMENT - this is a function of the hinge.

Some possible solutions:

If the hinge segment under the bracket is mounted to the door, it moves and causes the Hinge-It to move too. Solution: first try putting a plastic washer under the brackets, or take entire hinge off door and jam turn over providing pin will go in the bottom and re-install. Note now the stationary segment is under the bracket.

If the pin is turning loosen it up and use some WD40.

We offer a plastic spring that fastens to the doorjamb while still allowing movement @ \$3.00 ea.

TIPS:

DOUBLESIDED SCOTCH TAPE on the arms keeps silk ties from sliding off.

PLASTIC SHOWER CURTAIN RINGS hold belts and necklaces.

Give a Hinge-It for:

- Weddings • Mothers Day • Anniversaries • House Warming • Christmas
- Birthdays • Fathers Day • Graduation • Baby Showers • Hosts
- Christmas • Hosts

Coat hanger for short people. Ruth - Hickory, NC

Clever solution near our pool where we always have extra towels. Joyce - Fort Meyers, FL

Grand children each have their own towel space. *Mary - Naples, FL*

Please fill out your guarantee after you have used your Hinge-It. We want your feedback. This may be done on our web site at www.hingeit.com, Email: hingeit@AOL.com, or mail the card.