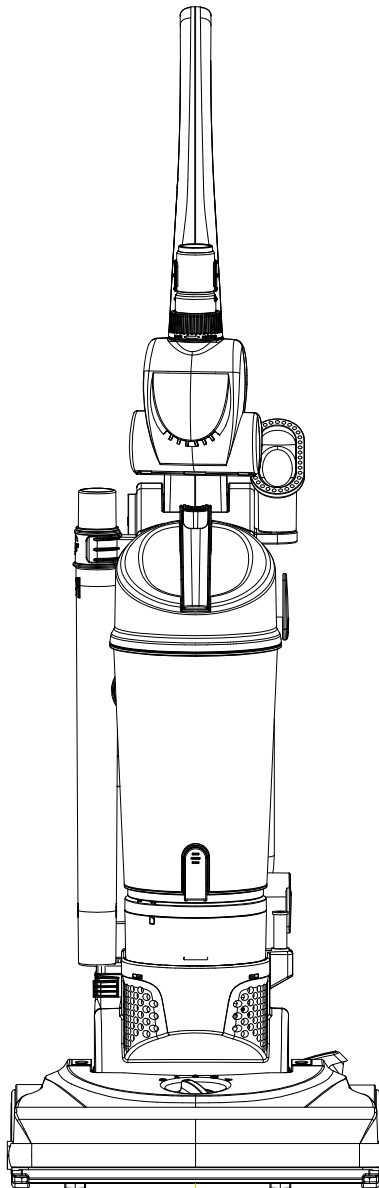


# Hamilton Beach<sup>®</sup>

## Bagless Compact Vacuum Cleaner

Owner's Manual

READ BEFORE USE



Model No. HB-VC32W

# WELCOME!

Congratulations, you have acquired a high-quality Hamilton Beach® Bagless Compact Vacuum Cleaner. This unit is packed with many features that you will find convenient to use. It will provide you with trouble-free use if you follow the safety precautions and operating instructions provided in this easy-to-use manual. Please take the time to read it, and save these instructions for future use. Please also remember to record the series number. This information is located on a label located on the lower back housing near the rear wheels. Save your receipt by stapling it to this manual for convenient access.

Model No.: \_\_\_\_\_ HB-VC32W \_\_\_\_\_ Series number: \_\_\_\_\_

Date of purchase: \_\_\_\_\_

## Index

- 1. Important Safeguards ..... 1
- 2. Parts and Accessories ..... 3
- 3. How to Assemble..... 4
  - a. Handle Assembly
  - b. Tool Holder Assembly
- 4. How to Operate ..... 4
  - a. Cord Release
  - b. Carpet Height Adjuster
  - c. Power Switch
  - d. Handle Release Pedal
  - e. Using the Accessories
- 5. Emptying the Dust Container ..... 7
- 6. Cleaning the Filters ..... 8
  - a. Dust Container Separation
  - b. Cleaning the Pre-Motor Filter
- 7. Troubleshooting.....11
- 8. Warranty .....12

## 1. IMPORTANT SAFEGUARDS

**WARNING! Shock Hazard:** Always switch off and unplug the vacuum cleaner from the electrical outlet before assembling, opening or emptying the dust container, or before connecting/disconnecting the attachments.

**CAUTION! Suction Hazard:** This vacuum cleaner is a very powerful unit. Before plugging the cord into the electrical outlet, make sure the switch is in the "off" position. Hold the vacuum cleaner firmly when starting and in use.

When using the vacuum cleaner, basic safety precautions should always be observed, including the following.

*READ ALL INSTRUCTIONS BEFORE USING THIS APPLIANCE*

**WARNING!** To reduce the risk of fire, electric shock or injury:

1. Read all instructions.
2. Always fully extend the power cord before use.
3. Do not use outdoors or on wet surfaces.
4. Do not handle the plug or vacuum cleaner with wet hands.
5. Do not leave the appliance when plugged in. Unplug from the outlet when not in use and before servicing.
6. Turn off the vacuum cleaner before disconnecting or connecting from the main electrical supply.
7. Always unplug the vacuum cleaner before connecting or disconnecting the vacuum hose or accessories and turn off the on/off switch before unplugging the vacuum cleaner.
8. Do not allow to be used as a toy. Close attention is necessary when used by or near children.
9. This appliance is not intended for use by children or persons with reduced physical, sensory or mental capabilities, or lack of experience and knowledge, unless they have been given supervision or instruction concerning the use of the appliance by a person responsible for their safety.
10. Use only as described in this manual. Use only manufacturer's recommended attachments.
11. Do not use with damaged cord or plug. If appliance is not working as it should, has been dropped, damaged, left outdoors or dropped into water, return it to a service center.
12. Do not unplug by pulling on the cord. To unplug, grasp the plug, not the cord.
13. Do not pull or carry by the cord or the hose. Do not use the cord or the hose as a handle, close a door on the cord or the hose, or pull the cord or the hose around sharp edges or corners. Do not run the vacuum cleaner over the cord. Keep the cord away from heated surfaces.

14. Do not unnecessarily obstruct any openings of the vacuum cleaner as this may cause the unit to not work properly or may damage the unit. Do not use with any openings blocked and do not restrict airflow. Keep all openings free of dust, lint, hair or anything that might reduce airflow.
15. Keep hair, loose clothing, fingers and all body parts away from openings and moving parts.
16. Do not vacuum anything that is burning or smoking, such as cigarettes, matches, or hot ashes.
17. Do not vacuum flammable or combustible materials (lighter fluid, gasoline, kerosene etc.) or use in the presence of explosive liquids or vapors.
18. Do not vacuum any liquids.
19. Do not vacuum harmful or toxic liquids (chlorine, bleach, ammonia, drain cleaner etc.)
20. Do not vacuum hard or sharp objects such as glass, nails, screws, coins etc.
21. Do not use without ALL of the filters in place.
22. Take extra care when vacuuming on stairs.
23. Keep vacuuming area well lit.
24. Store the vacuum cleaner in a cool, dry area.
25. Only use approved 13 amp extension cords. Non-approved cords may overheat. Care should be taken to arrange the cord so that the cord cannot be tripped over.

## SAVE THESE INSTRUCTIONS!

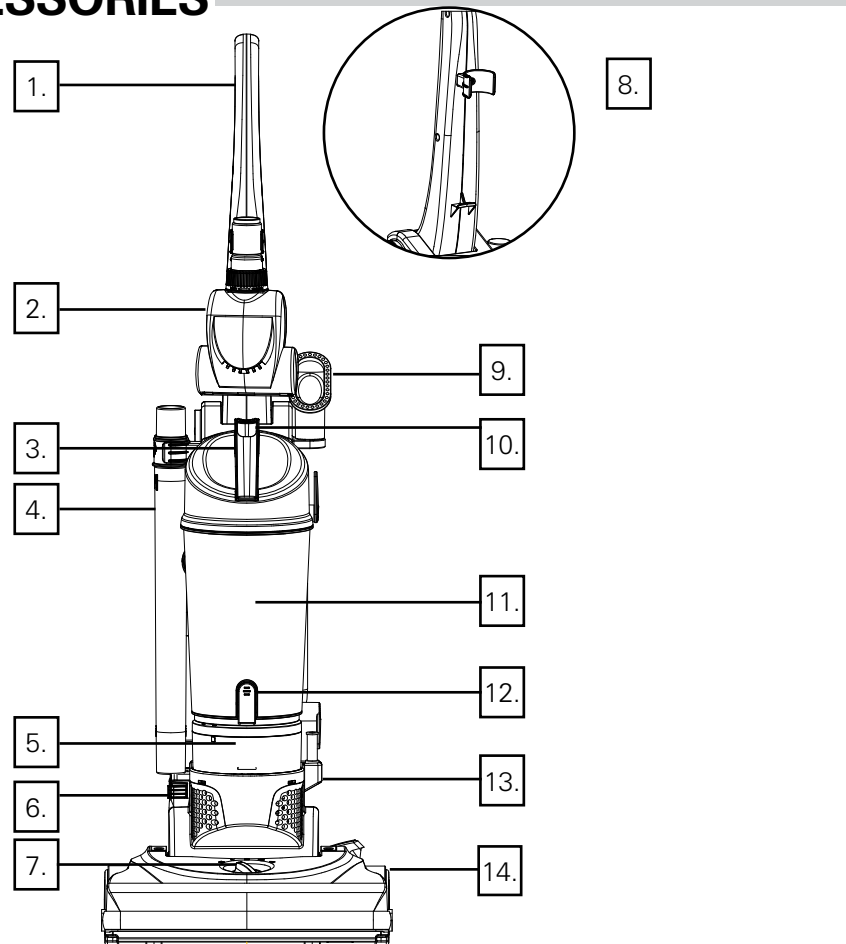
**IMPORTANT:** The motor is equipped with a thermal protector. If, for any reason, the vacuum cleaner should overheat, the thermal protector will automatically turn the unit off. Should this occur, unplug the vacuum cleaner from the electrical outlet and turn off the switch. Remove the dust container and empty it. Clean the filters. Allow the vacuum cleaner to cool for approximately one (1) hour. To restart, plug into an electrical outlet and switch back on.

### *Other Consumer Safety Information*

**This appliance is intended for household use only.**

**WARNING! Shock Hazard:** This appliance has a polarized plug (one wide blade) that reduces the risk of electric shock. The plug fits only one way into a polarized outlet. Do not defeat the safety purpose of the plug by modifying the plug in any way or by using an adapter. If the plug does not fit fully into the outlet, reverse the plug. If it still does not fit, have an electrician replace the outlet.

## 2. PARTS AND ACCESSORIES



- |                                                            |                                         |
|------------------------------------------------------------|-----------------------------------------|
| 1. Handle                                                  | 7. Carpet height adjuster               |
| 2. Air powered pet tool*                                   | 8. Cord clip on back of handle          |
| 3. Carry handle                                            | 9. Dusting brush/Upholstery tool*       |
| 4. Crevice tool and extension wand*                        | 10. Dust container removal button       |
| 5. Exhaust filter assembly (located under dust container)* | 11. Dust container                      |
| 6. On/Off pedal (located on the back of the vacuum)        | 12. Dust container quick release button |
|                                                            | 13. Handle release pedal                |
|                                                            | 14. Wheels                              |

\*Replacement parts can be purchased at an authorized dealer. Call 1-888-960-0396 to find one nearest you.

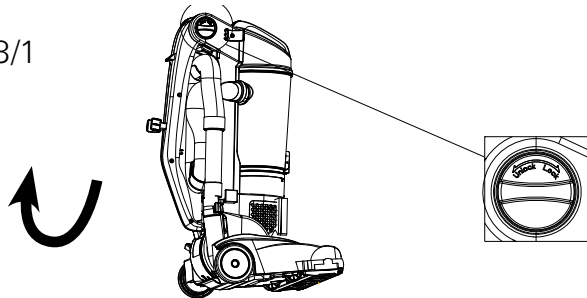
**NOTICE: This appliance has a constantly rotating brushroll which, when left in contact with linoleum, parquet and other hard floors can damage the floor surface.** Raise the height of the brushroll to the highest setting, #4. This can be done by adjusting the carpet height adjuster dial on the front of the vacuum's base. Do this each time when using this vacuum on linoleum, parquet and hard flooring. The manufacturer is not liable for damages to these surfaces if the customer fails to follow this instruction.

## 3. HOW TO ASSEMBLE

### a. Handle Assembly

The vacuum cleaner comes packed with the handle in the folded position. To raise the handle to the working position, lift the handle all the way up until the locking mechanism clicks. (Fig. 3/1).

Fig. 3/1



The handle will lock into position. If the handle does not lock automatically, rotate the locking knob clockwise to lock.

To lower the handle, rotate the locking knob counterclockwise until it unlocks and lower the handle all the way down.

### b. Tool Holder Assembly

 Tool required: Phillips screwdriver.

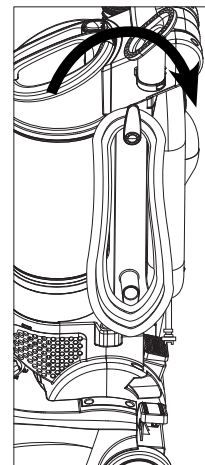
The air powered pet tool holder attaches to the front of the handle. Remove the screw with a Phillips screwdriver. Place the holder over the location and screw the holder into position using the screw that was just removed.

## 4. HOW TO OPERATE

### a. Cord Release

Turn the upper cord release for easy cord removal (Fig. 4/1). Use the handy cord clip located on the back of the handle. This will allow you to secure any excess cord and reduce any risk while operating the appliance.

Fig. 4/1

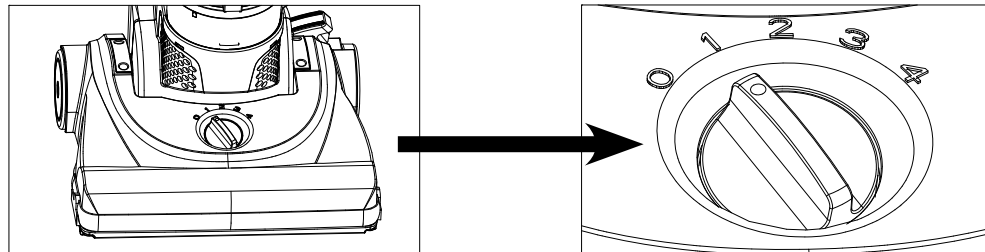


## b. Carpet Height Adjuster

The carpet height adjuster allows you to set the vacuum to specific heights. Turn the carpet height adjuster knob to match the surface being cleaned as described around the knob (Fig. 4/2).

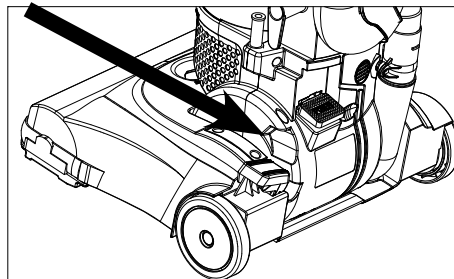
Carpet Pile Height	Dial Setting
< 1/2"	0
1/2" to <3/4"	1 to 2
3/4" to <1"	3
>1"	4

Fig. 4/2



The vacuum head locks when the handle is in the upright position. To release the head for normal use, press the release pedal with your foot (Fig 4/3).

Fig. 4/3

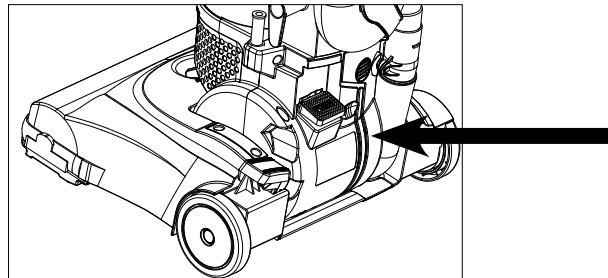


**NOTICE: This appliance has a constantly rotating brushroll which, when left in contact with linoleum, parquet and other hard floors can damage the floor surface.** Raise the height of the brushroll to the highest setting, #4. This can be done by adjusting the carpet height adjuster dial on the front of the vacuum's base. Do this each time when using this vacuum on linoleum, parquet and hard flooring. The manufacturer is not liable for damages to these surfaces if the customer fails to follow this instruction.

## c. Power Switch

The On/Off switch is located on the back lower section of the vacuum, (Fig. 4/4).

Fig. 4/4



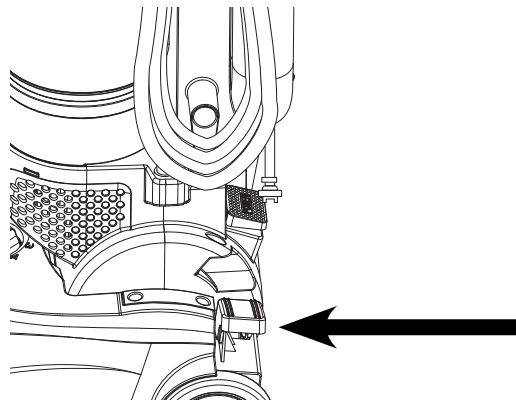
Press the On/Off button with your foot to start the vacuum cleaner.

Press again to turn off.

## d. Handle Release Pedal

To release the handle, push the handle release pedal located on the lower left side of cleaner, (Fig. 4/5).

Fig. 4/5



**CAUTION! Entanglement Hazard: The brushbar continues to rotate while the hose is being removed or in use and at all times while cleaner is on. Keep hair, loose clothing, fingers and all parts of the body away from brush area while cleaner is on. The vacuum cleaner must be in the upright position to lift the rotating brush off the carpet when cleaning elevated areas above the floor, such as steps.**

**NOTE: The brushbar could cause rug fringe areas to become tangled within the cleaner. Use care when vacuuming throw rugs with fringes.**



## e. Using the Accessories

Any of the accessories can be directly attached to the hose end or the end of the extension wand. Simply push the attachment firmly onto the end of the extension wand. To remove the tool, twist and pull apart gently.

**There are several attachments that are found with this vacuum.**

**Crevice Tool:** For use in between tight areas and around corners.

**Dusting Brush/Upholstery Tool:** Used for cleaning furniture and vents.

**Air Powered Pet Tool:** Easily picks up pet hair and is great for upholstery and car interiors. Attach directly to the hose or to the wand as per all other accessories. For best results, use backward strokes on the surface you are cleaning.

**Extension Wand:** Expand your reach by adding the wand to the lower hose.

## 5. EMPTYING THE DUST CONTAINER

Empty the dust container and clean the filters as frequently as possible or when suction power is reduced.

To remove the dust container, turn off power and unplug.

Grip the handle of the dust container, press the dust container release button and pull the dust container forward and out of the housing, (Fig. 5/1).

Hold the dust container over a trash can and press the trap door release button on the lower part and the trap door will swing open emptying the waste contents into the can, (Fig. 5/2).

To close the trap door, close it manually until it clips shut.

To refit the dust container into the vacuum, simply align the dust container into its position and push in until it locks in place.

Fig. 5/1

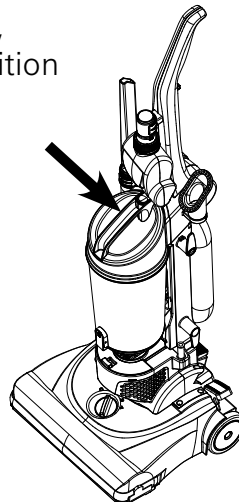
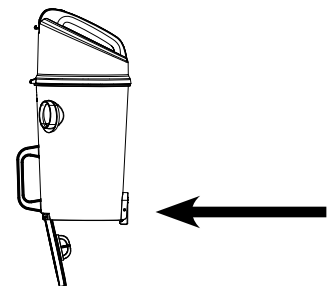


Fig. 5/2



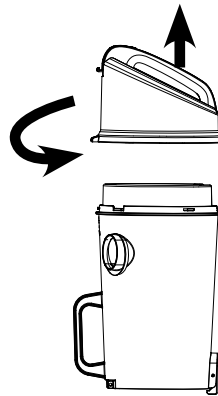
## 6. CLEANING THE FILTERS

### a. Dust Container Separation

Remove the dust container as explained in section 5.

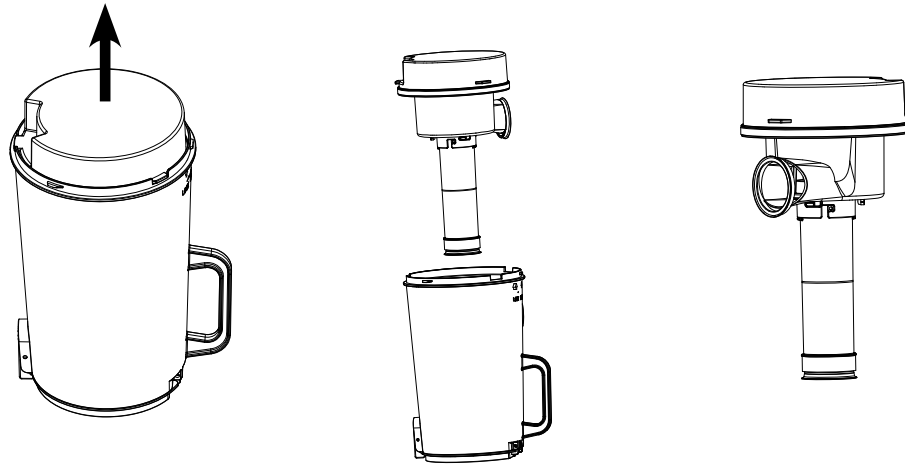
There is a mesh filter located inside the internal housing. To access this filter for cleaning, remove the lid of the dust container by holding the dust container body firmly and rotating the lid counter-clockwise then lift the lid off (Fig. 6/1).

Fig. 6/1

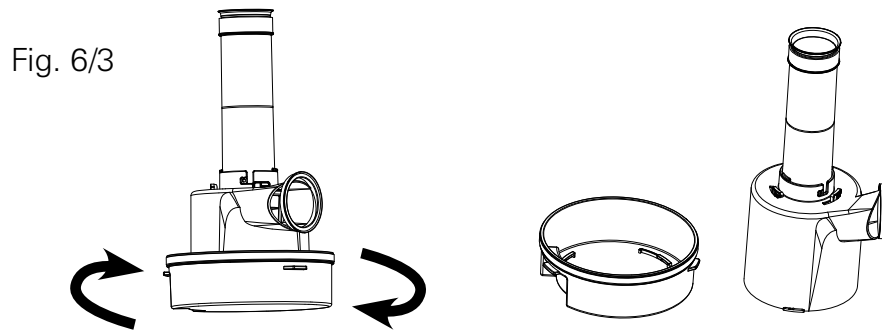


Grasp the cap of the internal housing unit and pull straight up and out (Fig. 6/2).

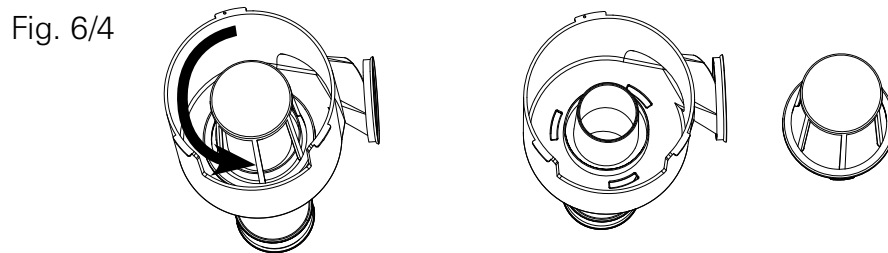
Fig. 6/2



While holding the cap still, rotate the middle section to unlock the two components and then pull apart, (Fig. 6/3).



Locate the mesh filter inside the housing body and rotate counter-clockwise to unclip. Pull filter straight out (Fig. 6/4).

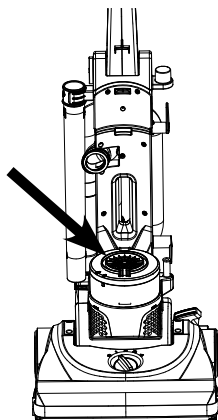


To clean, tap filter on the side of trash container to dislodge any dust and remove any large debris. Do NOT wash the filter in water.

## b. **Cleaning the Pre-Motor Filter**

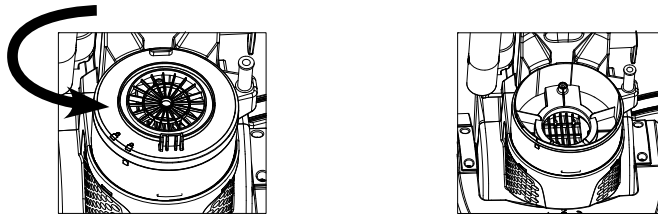
The pre-motor filter is located in the bottom section under the dust container (Fig 6/5).

Fig. 6/5



To access and remove, first rotate the cover counterclockwise and lift straight up and off to expose the filter (Fig 6/6).

Fig. 6/6



To remove the filter, grasp with your fingers and pull straight up and out.

Wash the foam filter in warm, mild, soapy water. Rinse in clean, cold water and let completely dry for 24 hours before replacing.

Refit the filter by pushing back into the holder. Note the coarser black face of the filter must be at the bottom. It is recommended to clean this filter every other week or sooner if required.

Refit the cover and rotate clockwise to lock in place. Refit the dust container to the vacuum cleaner.

**IMPORTANT: Cleaning the filters regularly improves the vacuuming performance. Make sure that all the filters are replaced back into the vacuum cleaner before using. This vacuum cleaner is intended for household use only and not for commercial or industrial use. Store the vacuum in a cool dry area. Any other service should be performed by an authorized service center.**

**IIMPORTANT: The motor is equipped with a thermal protector. If, for any reason, the vacuum cleaner should overheat, the thermal protector will automatically turn the unit off. Should this occur, turn off the switch and unplug the vacuum cleaner from the electrical outlet. Remove the dust container and empty it. Clean the filters. Allow the vacuum cleaner to cool for approximately one (1) hour. To restart, plug into an electrical outlet and switch back on..**

## FOR HOUSEHOLD USE ONLY

## 7. TROUBLESHOOTING

<b>PROBLEM</b>	<b>CAUSE</b>	<b>SOLUTION</b>
The vacuum cleaner is noisy.	<ol style="list-style-type: none"> <li>1. The dust container may be full.</li> <li>2. There may be a blockage.</li> </ol>	<ol style="list-style-type: none"> <li>1. Clean the filters and empty the dust container</li> <li>2. Check for partial blockages and unblock.</li> </ol>
The vacuum cleaner suction is not strong.	<ol style="list-style-type: none"> <li>1. The dust container may be full or the filter may be dirty.</li> <li>2. There may be a blockage.</li> <li>3. The flexible hose is not connected properly.</li> </ol>	<ol style="list-style-type: none"> <li>1. Clean or replace the filters and empty the dust container</li> <li>2. Check for blockages and unblock.</li> <li>3. Make sure the flexible hose has been reconnected properly to the base.</li> </ol>
The vacuum cleaner is over-heating / stopping.	The dust container is full or there may be a blockage.	Clean or replace the filters, empty the dust container, check for blockages and unblock then allow it to cool for up to one hour before trying to restart.
The vacuum cleaner is hard to push.	The carpet pile is too long and the carpet height adjuster is set too low.	If vacuuming long pile carpet, the carpet height adjuster needs to be raised. Refer to section called How to Operate for instructions.
The vacuum cleaner won't run.	It is not properly plugged into the wall outlet.	Plug in firmly.

## ***What this limited warranty covers:***

The manufacturer warrants that your Hamilton Beach® vacuum cleaner, model HB-VC32W, for a period of one year from the date of original purchase, will be free from all defects in material and workmanship. This limited warranty is granted only to the original consumer purchaser or gift recipient. Keep the original sales receipt, as proof of purchase is required to make a warranty claim. This limited warranty is subject to the following provisions:

## ***What this limited warranty does not cover:***

- Expenses related to pick up, delivery or house calls. You are responsible for all costs associated with returning the product or any component to us, and our returning a product or component to you.
- Parts of the cleaner that require replacement under normal use, such as filters, drive belts, light bulbs, and brushroll bristles.
- Damage or malfunction caused by accident, alteration, abuse, misuse, or use not in accordance with the Owner's Manual.
- Damage or malfunction caused by improper service or maintenance, the use of parts other than genuine HAMILTON BEACH® parts or modifications made to the cleaner without our prior written approval.
- Vacuums purchased or used outside the United States.  
This warranty is void if the product is used for other than single-family household use or subjected to any voltage or waveform other than as specified on the rating label (e.g., 120V ~ 60Hz).

The manufacturer will, at its option, repair or replace a defective steam cleaner or steam cleaner part that is covered by this limited warranty. This is your exclusive remedy. As a matter of warranty policy, the manufacturer will not refund the purchase price.

## ***Warranty Registration:***

To register for warranty please visit our website at [www.essco.net](http://www.essco.net) and fill out a registration card.

## ***Obtaining warranty service:***

To obtain warranty service, call 888-960-0396 or e-mail us at [hbvacsupport@essco.net](mailto:hbvacsupport@essco.net).

If you prefer, you can write to: **ESSCO**

Attn: Hamilton Beach Warranty  
1933 Highland Road  
Twinsburg, OH 44087

When returning parts for repair, please include the model number and series number from the data label located on the lower back housing near the wheels.

## *Further Limitations and Exclusions:*

**THE WARRANTY PROVIDED ABOVE IS EXCLUSIVE AND IN LIEU OF ALL OTHER EXPRESS OR IMPLIED WARRANTIES. EVERY IMPLIED WARRANTY, INCLUDING ANY WARRANTY OF MERCHANTABILITY OR FITNESS FOR A PARTICULAR PURPOSE IS DISCLAIMED EXCEPT TO THE EXTENT PROHIBITED BY LAW, IN WHICH CASE SUCH WARRANTY IS LIMITED TO THE DURATION OF THIS WRITTEN WARRANTY. UNLESS STATED HEREIN, ANY STATEMENTS OR REPRESENTATIONS MADE BY ANY OTHER PERSON OR FIRM ARE VOID. WE EXCLUDE ALL CLAIMS FOR LOSS, INCONVENIENCE OR DAMAGE INCLUDING DIRECT, SPECIAL, INCIDENTAL OR CONSEQUENTIAL DAMAGES, RESULTING FROM THE USE OR INABILITY TO USE THE VACUUM PRODUCT, WHETHER RESULTING FROM BREACH OF WARRANTY OR ANY OTHER LEGAL THEORY. IN NO EVENT WILL HAMILTON BEACH'S LIABILITY EXCEED THE PURCHASE PRICE OF THE VACUUM CLEANER, LESS DEPRECIATION.**

Some jurisdictions do not allow limitations on how long an implied warranty lasts and some jurisdictions do not allow the exclusion or limitation of incidental or consequential damages, so the above limitations and exclusions may not apply to you. This warranty gives you specific legal rights, and you may also have other rights, which vary from jurisdiction to jurisdiction.

Hamilton Beach® is a registered trademark of Hamilton Beach Brands, Inc. used under license by ESSCO.

**Hamilton  
Beach®**

