

Please carefully read and save these instructions before attempting to assemble, maintain, install, or operate this product. Observe all safety information to protect yourself and others. Failure to observe the instructions may result in property damage and/or personal injury. Please keep instructions for future reference.

Important Operating Instructions



2 GALLON AIR COMPRESSOR

Model: 7517

CALIFORNIA PROPOSITION 65

WARNING: You can create dust when you cut, sand, drill or grind materials such as wood, paint, metal, concrete, cement, or other masonry. This dust often contains chemicals known to cause cancer, birth defects, or other reproductive harm. Wear protective gear.

WARNING: This product or its power cord may contain chemicals, including lead, known to the State of California to cause cancer and birth defects or other reproductive harm. Wash hands after handling.

Important!

When using equipment, a few safety precautions must be observed to avoid injuries and damage. Please read the complete operating manual with due care. Keep this manual in a safe place, so that the information is available at all times. If you give the equipment to any other person, give them these operating instructions as well.

We accept no liability for damage or accidents which arise due to non-observance of these instructions and the safety information herein.

SPECIFICATIONS

Running HP: 2 HP
CFM: 0.4CFM @ 90PSI
Motor Speed: 2900 RPMs
Tank Size: 2 Gallon
Oil Free

CAUTION:
**FOR YOUR OWN SAFETY,
READ INSTRUCTION MANUAL
COMPLETELY AND
CAREFULLY BEFORE
OPERATING THIS
COMPRESSOR.**

Any failures made in following the safety regulations and instructions may result in an electric shock, fire and/or serious injury.

SAFETY INSTRUCTIONS

Breathable Air Warning:
This compressor/pump is not equipped and should not be used "as is" to supply breathing quality air. For any application of air for human consumption, the air compressor/pump will need to be fitted with suitable in-line safety and alarm equipment. This additional equipment is necessary to properly filter and purify the air to meet minimal specifications for Grade D breathing as described in Compressed Gas Association Commodity Specification G 7.1 - 1966, OSHA 29 CFR 1910. 134, and/or Canadian Standards Associations (CSA).

1) The air compressor should be operated on a dedicated 15-amp circuit. If the circuit does not have 15 free amps available a larger circuit must be used.

For warranty purchases, please keep your dated proof of purchase. File or attach to the manual for safekeeping.

2) Always use more air hose before connecting the compressor to an extension cord. The compressor will run at a lower voltage when run through an extension cord and low voltage could cause damage to the motor.

3) Check to make sure all guards and covers are attached and installed correctly before operating. If any parties damaged, do not operate the unit until it has been properly repaired.

4) Do not touch the air compressor until it has cooled because it could cause serious injury or burns. Allow the compressor to cool before performing any maintenance is performed.

5) Always operate the compressor in a stable position. Do not use the unit in a position that could allow it to fall or tip over.

6) Always wear the proper safety equipment when operating this unit.

7) Turn off the air compressor and drain the air tank before disassembling the hoses and fittings or performing maintenance.

8) Never point the nozzle or sprayer towards a person or any part of the body.

9) Avoid using the air

compressor in confined areas. Always leave at least 1 foot of space on all sides of the compressor.

10) Keep the compressor as far away as possible from any spraying materials to avoid the intake air to damage the air compressor filter.

11) This compressor does not provide breathable air for anyone or for any breathing device.

12) Do not use the compressor in wet or rainy conditions.

13) Do not operate this unit near combustible materials such as gasoline or solvent vapors.

14) Do not operate the air compressor while indoors or a confined area.

15) Keep the spraying material away from the compressor so that any residue will not damage the air compressor filter.

16) Drain the air tank daily, or after each use.

17) If the tank develops a leak, do not use it and have it replaced. Do not use the compressor if a leak has been found.

18) Do not make any modifications to the tank.

ASSEMBLY

Lubrication and Oil

This compressor requires no lubrication or oil. No break-in procedure is needed.

Extension Cords

Use only a 3 wire extension cord with a 3 blade grounding plug in a 3 slot outlet. Make sure the extension cord is in good working condition with no exposed wires. Be sure the cord is heavy enough to carry the current the unit will draw. Cords should not exceed 25 feet. An undersized cord will cause a drop in line voltage and could result in a loss of power and/or overheating.

Grounding Instructions

This unit should be properly grounded. In the event of an electrical short circuit, grounding reduces the risk of electric shock. This product is equipped with a cord that has a grounding wire with an appropriate grounding plug. The plug must be hooked up to an outlet that has been properly grounded.

WARNING: Improperly installed grounding plugs can cause electric shock. If repair or replacement of the cord or plug is necessary, do not connect the grounding wire to the flat blade terminals. The grounding wire is green and may or may

not have yellow stripes. Do not modify the plug that is provided.

OPERATION

Start Up

- 1) Check the compressor for any damages or obstructions. Check the air filter.
- 2) Be sure the drain valve is working properly and closed.
- 3) Plug the power cord into the proper outlet.
- 4) Turn the On/Off switch to the ON position. The compressor should start and build up air pressure in the tank and shut off automatically when the tank reaches its maximum capacity.
- 5) Adjust the regulator to the proper PSI setting that is recommended for the job.

Shut Down

- 1) Turn the On/Off switch to the OFF position
- 2) Unplug the power cord from the receptacle.
- 3) Set the regulator outlet pressure to zero.
- 4) Remove any accessories from the compressor.
- 5) Open the drain valve to allow the air to drain from the tank. After all of the air has left,

close the drain valve in order to prevent debris buildup in the valve.

Warning: Water that remains in the air tank during storage will weaken and corrode the air tank, which could cause the tank to rupture.

MAINTENANCE

Warning: The air compressor should be turned off and unplugged from a power source along with the tank being drained before any maintenance is performed. The unit should also be cooled.

If the compressor is operated in extremely dirty environments, any maintenance checks should be performed more frequently.

Check Tank Safety Valve: Daily before use

Overall Unit Visual Check:

Daily before use

Check Air Filter: Daily before use

STORAGE

- 1) Turn the unit OFF and unplug it from the outlet.
- 2) Remove all air hoses, air tools and accessories from the compressor.
- 3) Check the air tank, unit and air filter for damages and cleanliness.

4) Open the drain valve and drain all of the air from the tank.

5) Close the drain valve.

6) Store the compressor in a clean and dry location.

Troubleshooting Guide

Problem	Possible Cause(s)	Possible Solution(s)
Air leaks at the check valve or at the pressure relief valve.	Defective check valve	Drain the tank, then remove and clean or replace the check valve.
Air leaks between head and cylinder.	Head bolts are loose	Check the tightness of the head bolts. If leak remains, contact a service technician.
Air leak from safety valve.	Safety valve is not sealing properly	Operate the safety valve manually by pulling on the ring. If the valve continues to leak when it is closed, replace it.
Pressure reading on the regulated pressure gauge drops when an accessory is used.	Regulator is faulty	If there is an excessive amount of pressure drop when the accessory is used, replace the regulator.
	Improper pressure is being used	Adjust the regulated pressure under flow conditions while accessory is being used. It is normal for the gauge to show minimal pressure loss during initial use of the tool.
Excessive tank pressure.	Compressor did not automatically shut off	Move the Auto-On/Off lever to the Off position. If the unit doesn't shut off, unplug it from the power source and contact a service technician.
Motor will not start.	Compressor may not be plugged in or turned on.	Make sure power cord is plugged in and the switch is on.
	Fuse may be tripped	If the fuse was tripped, reset it and restart the unit. If repeated tripping occurs, replace the check valve or contact your service center
Excessive moisture in the discharge air.	Water is present in the tank	Remove the water in the tank by draining after each use. High humidity environments will cause excessive condensation. Utilize water filters on your air line. Water condensation is not caused by compressor malfunction. Be sure the compressor's air output
Air leaks from the tank body or tank welds.	Damage is present on the tank	Never drill into, weld or modify the air tank or it will weaken. The tank can rupture or explode. Compressor cannot be repaired. Discontinue use of the air compressor.

Limited Manufacturer Warranty

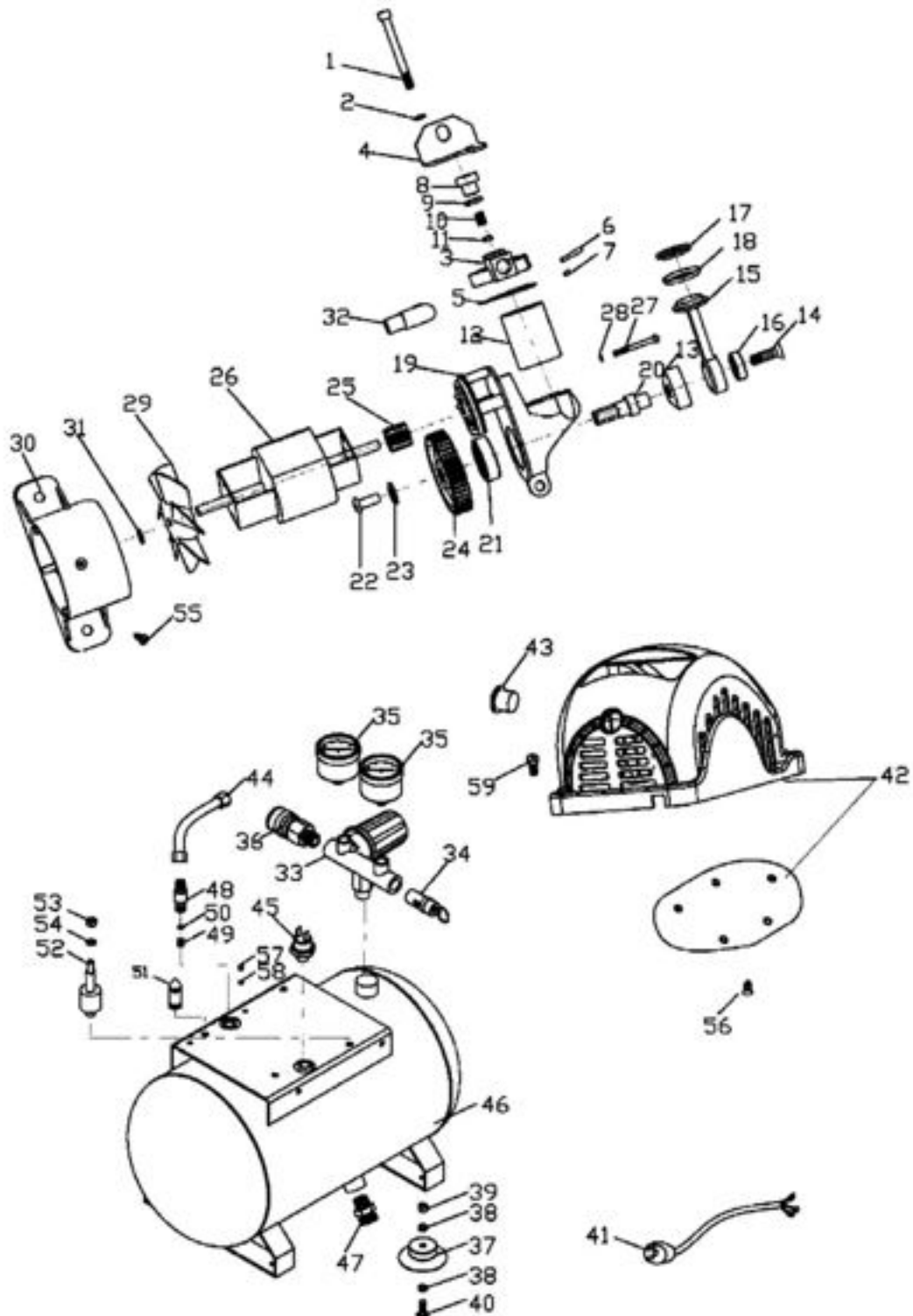
North American Tool (NAT) Industries makes every effort to ensure that this product meets high quality and durability standards. NAT warrants to the original retail consumer a 1-year limited warranty from the date the product was purchased at retail and each product is free from defects in materials. Warranty does not apply to defects due directly or indirectly to misuse, abuse, negligence, or accidents, repairs or alterations, or a lack of maintenance. NAT shall in no event be liable for death, injuries to persons or property, or for incidental, special, or consequential damages arising from the use of our products. To receive service under warranty, the original manufacturer part must be returned for examination by an authorized service center. Shipping and handling charges may apply. If a defect is found, NAT will either repair or replace the product at its discretion.

DO NOT RETURN TO STORE

For Customer Service:

Email: feedback@natitools.com or Call 1-800-348-5004

Parts List



Call 1-800-348-5004 for assistance or replacement parts

Please provide the following information:

- Model number
- Part description and number as shown in parts list
- Serial number (if any)

Address any correspondence to:

North American Tool Industries
84 Commercial Rd
Huntington, IN 46750

No	Part	Qty
1	M5*55 bolt	3
2	Spring washer M5	3
3	Cylinder head	1
4	Cylinder head support	1
5	Cylinder head gasket	1
6	Inlet valve	1
7	Valve cap	1
8	Outlet plug	1
9	Seal of plug	1
10	Spring	1
11	Seal gasket of outlet	1
12	Cylinder	1
13	Eccentric	1
14	Screw M6*15	1
15	Connect rod	1
16	Bearing of connect rod	1
17	Cover of connect rod	1
18	Piston rign	1
19	Crankcase	1
20	Azle	1
21	Bearing of crankcase	1
22	Screw M5*10	1
23	Washer M5	1
24	Gear 45Teeth	1
25	Gear 10Teeth	1
26	Motor	1
27	Screw M3*30	2
28	Spring washer M3	2
29	Fan	1
30	Motor cover	1

No	Part	Qty
31	Circip	1
32	Exhaust elbow	1
33	Regulator assembly	1
34	Safety valve	1
35	Pressure gauge	2
36	Quick coupler	1
37	Cushion	4
38	Washer M5	8
39	Nut M5	4
40	Screw M5*20	4
41	Power cord	1
42	Shroud	1
43	Switch	1
44	Outlet rubber hose	1
45	Pressure switch	1
46	Tank	1
47	Drain valve	1
48	Connect G1/8 - NPT1/8	1
49	Spring of check valve	1
50	Seal of check valve	1
51	Support rubber	3
52	Support bolt M6	1
53	Nut M6	1
54	Washer M6	1
55	Tarrinc screw ST2-5*12	1
56	Tapping screw ST4*18	5
57	Screw M4*10	2
58	Washer M4	2
59	Screw M6*25	4