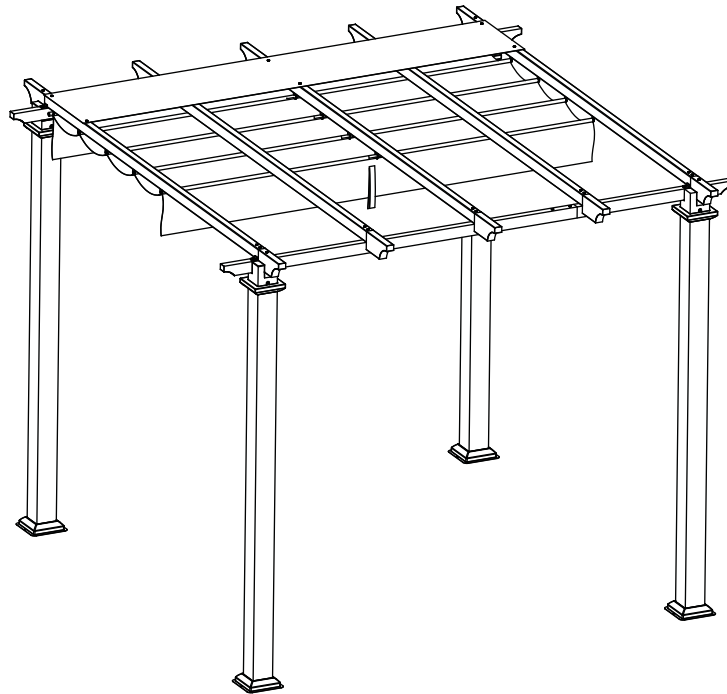




Item #000-000
Model #GFM00467F

USE AND CARE GUIDE

STEEL PERGOLA REPLACEMENT CANOPY



Questions, problems, missing parts? Before returning to the store,
call Hampton Bay Customer Service
8 a.m. - 6 p.m., EST, Monday - Friday

1-877-527-0313

HAMPTONBAY.COM

THANK YOU

We appreciate the trust and confidence you have placed in Hampton Bay through the purchase of this canopy. We strive to continually create quality products designed to enhance your home. Visit us online to see our full line of products available for your home improvement needs. Thank you for choosing Hampton Bay!

Table of Contents

Table of Contents.....	2	Pre-Assembly	2
Warranty.....	2	Planning Assembly	2
What is Covered.....	2	Hardware Included.....	2
What is Not Covered	2	Package Contents	3
		Assembly	4
		Care and Cleaning	7

Warranty

1 YEAR LIMITED FRAME AND FABRIC WARRANTY

WHAT IS COVERED

We warrant the fabric to be free of manufacturing defects to the original purchaser for one year.

WHAT IS NOT COVERED

It remains the customer’s responsibility for freight and packaging charges to and from our service center. This warranty does not cover commercial use, hardware, acts of nature, fire, freezing and abusive use. In addition, purchased parts are not covered under this warranty. We reserve the right to make substitutions with similar merchandise, if the model in question is no longer in production.


Contact Customer Care at 1-877-527-0313 or visit www.HamptonBay.com.

Pre-Assembly


PLANNING ASSEMBLY

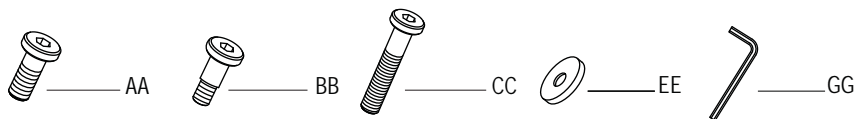
Read all instructions before assembly.

To avoid damaging this product, assemble it on a soft, non-abrasive surface such as carpet or cardboard.

 **NOTE:** More than one person may be required to assemble this product.

HARDWARE INCLUDED

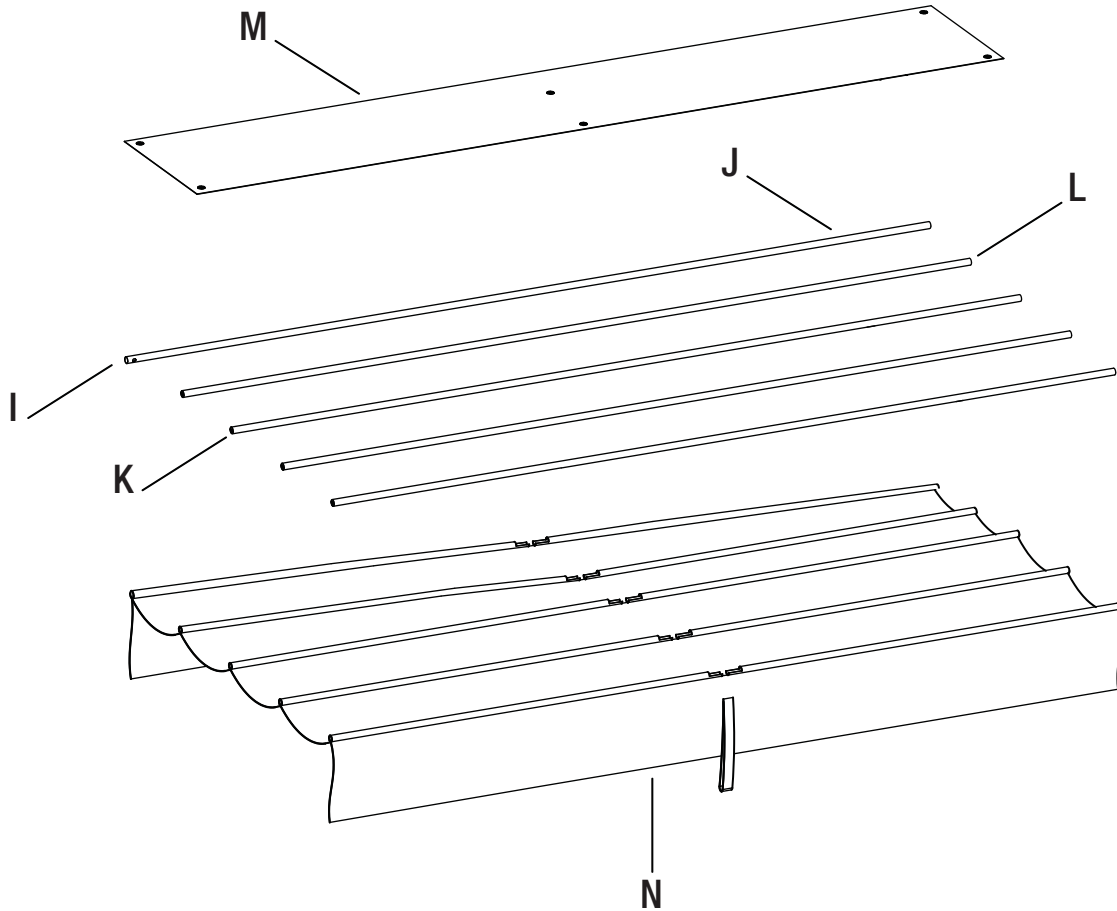
 **NOTE:** Hardware not shown to actual size.



Part	Description	Quantity
AA	M6x16 Bolt	6
BB	M6x15 Bolt	8
CC	M6x32 Bolt	3
EE	M6 Washer	9
GG	Hex wrench	2

Pre-Assembly (continued)

PACKAGE CONTENTS

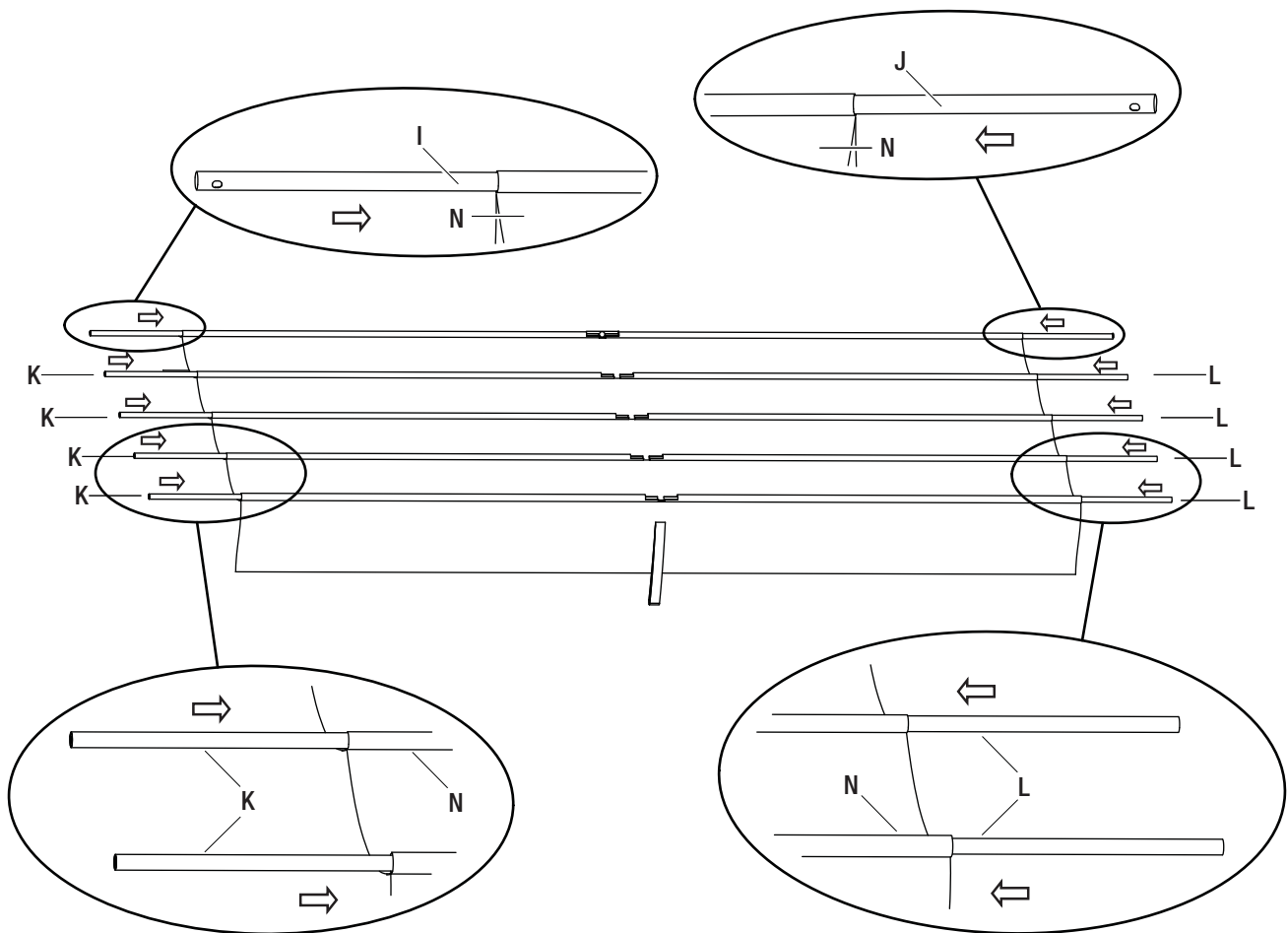


Part	Description	Quantity
I	End left fabric hanger	1
J	End right fabric hanger	1
K	Left fabric hanger	4
L	Right fabric hanger	4
M	Protective cover	1
N	Fabric shade	1

Assembly

1 Inserting the fabric hangers into the fabric shade

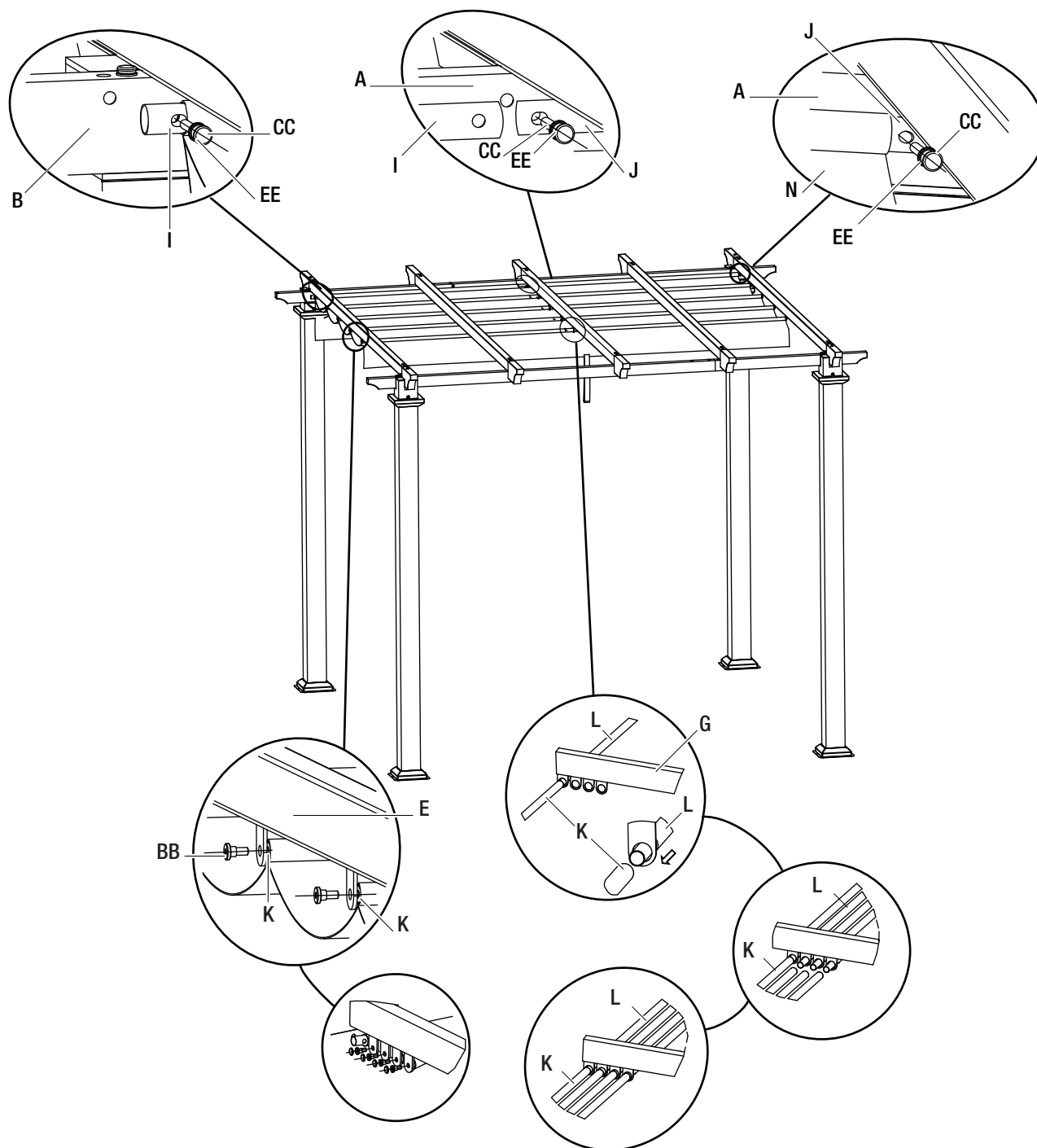
- Insert the end left fabric hanger (I) and the end right fabric hanger (J) into each side of the slot at the end of the fabric shade (N).
- Insert the left fabric hangers (K) and right fabric hangers (L) into the remaining slots of the fabric shade (N).



Assembly (continued)

2 Attaching the replacement canopy

- Attach the two ends of the end left fabric hanger (I) to the back connector bars (A and B) using M6x32 bolts (CC) and M6 washers (EE).
- Attach the two ends of the end right fabric hanger (J) to the back connector bar (A) using M6x32 bolts (CC) and M6 washers (EE).
- Attach the left fabric hangers (K) to the outer bar (E) using M6x15 bolts (BB) and attach the right fabric hangers (L) to the other outer bar (E) using M6x15 bolts (BB). Fully tighten the M6x15 bolts (BB).
- Attach the right fabric hangers (L) to the left fabric hangers (K).



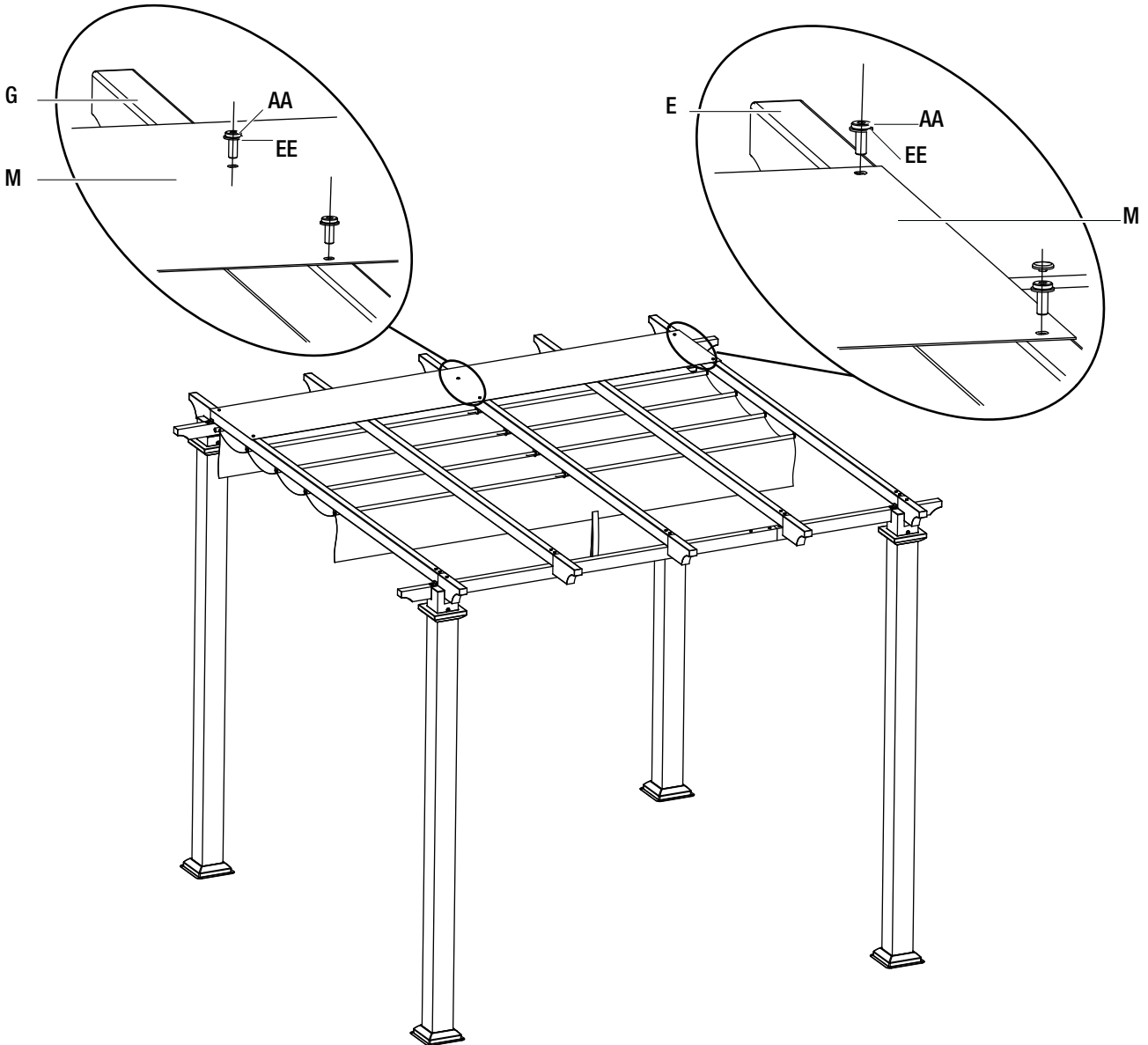
Assembly (continued)

3 Installing the replacement protective cover

- Attach the protective cover (M) to the outer bars (E) and center bars (G) using M6x16 bolts (AA) and M6 washers (EE).



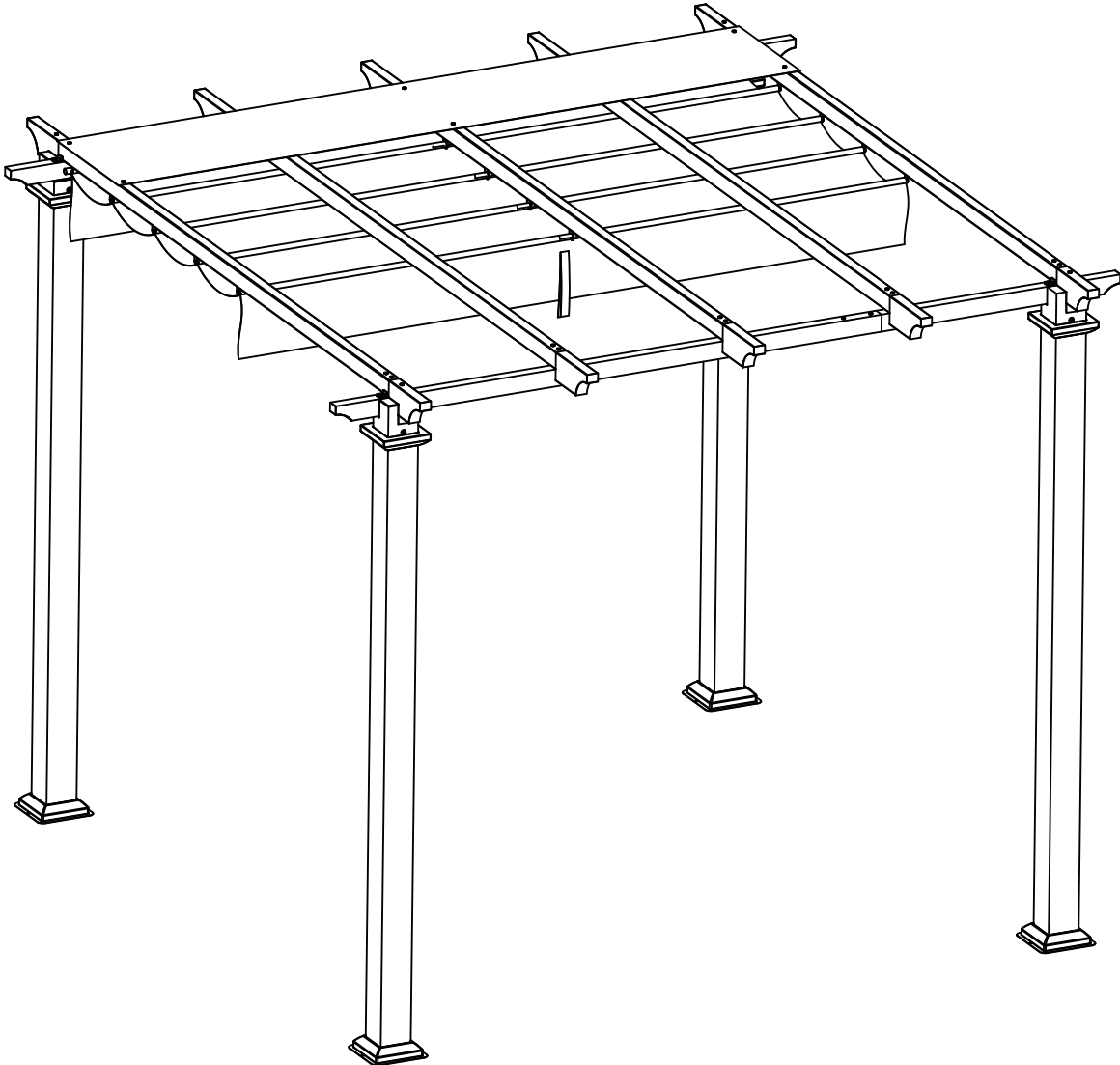
NOTE: Loosely tighten all bolts using the hex wrench (GG).



Assembly (continued)

4 Completing the assembly

- Once all bolts are in place, fully tighten all bolts.
- Ensure that all connections are secure before use.



Care and Cleaning

- For best results, clean the fabric with a damp cloth and dry thoroughly. This will help prevent mildew by removing dirt particles that may accumulate.
- Do not use abrasive materials or cleaners.
- In order to prolong the life of your pergola when not in use or inclement weather (rain, hail, sleet, snow, wind), fire, extreme heat and freezing conditions, the pergola needs to be stored in a dry, sheltered location.



Questions, problems, missing parts? Before returning to the store,
call Hampton Bay Customer Service
8 a.m. - 6 p.m., EST Monday - Friday

1-877-527-0313

HAMPTONBAY.COM

Retain this manual for future use.