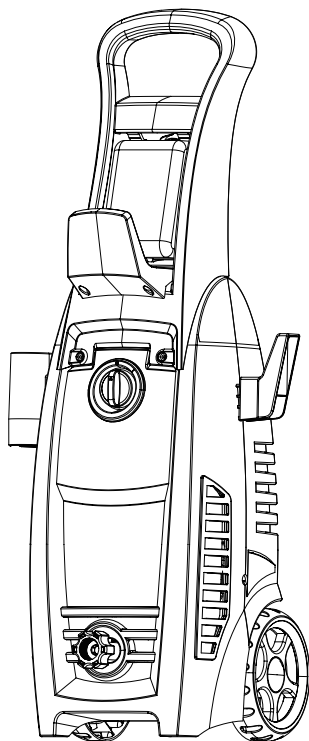


CLEAN **FORCE**®

CF1400



Electric High Pressure Washer

Instruction Manual

Before operating this unit, please read this manual thoroughly and retain it for future reference.

**DO NOT RETURN PRODUCT TO PLACE OF PURCHASE.
IF YOU HAVE ANY QUESTIONS, CALL OUR TOLL FREE HOTLINE:**

1-866-902-9690

**8:00 am to 5:00 pm, C.S.T., Monday - Friday
www.ForceToolsUSA.com**

TABLE OF CONTENTS

Important safety instructions	1
Safety features	4
Parts and diagram list	5
Assembly and operating instructions.....	6
Using the accessories.....	9
Working with detergents	9
Shutting down and cleaning up.....	11
Taking a break	11
Winterizing and long-term storage	12
Cleaning and maintenance	13
Troubleshooting	14
Technical specifications	17
Warranty	18

IMPORTANT SAFETY INSTRUCTIONS

**Please read all of the safety precautions before operating this machine every time.
Please pay particular attention to all sections with following symbols.**

⚠ WARNING ⚠

could cause injury or death if not followed

⚠ CAUTION ⚠

could damage machine if not followed

⚠ WARNING ⚠

When using this product, basic precautions should always be followed, including:

- 1 Read all instructions before using the product.
- 2 To reduce the risk of injury, do not operate the machine near children.
- 3 Learn how to stop this product and release pressure quickly. Be thoroughly familiar with the controls.
- 4 Stay alert - watch what you are doing.
- 5 Do not operate this product when fatigued or under the influence of alcohol or drugs.
- 6 Keep operating area clear of all people and pets.
- 7 Do not stand on unstable surfaces. Do not overreach or stand on unstable support. Keep good footing and balance at all times.
- 8 Follow the maintenance instructions specified in the manual.
- 9 This product is provided with a Ground Fault Circuit Interrupter (GFCI) built into the power cord. If replacement of the plug or cord is needed, use only identical replacement parts.
- 10 This product or its power cord contains lead, a chemical known to cause cancer, birth defects or other reproductive harm. Wash hands after handling.

IMPORTANT SAFETY INSTRUCTIONS

⚠ WARNING ⚠

Risk of injury

Injection Hazard

- Equipment can cause serious injury if the spray penetrates the skin.
- Do not point the gun at anyone or any part of the body. In case of penetration, seek medical aid immediately.

⚠ WARNING ⚠

Risk of injury

Do Not direct discharge stream at self or other persons.

- High-pressure jet can be dangerous if misused.
- The jet must not be directed at persons, animals, electrical devices, or the unit itself.

⚠ WARNING ⚠

Risk of Explosion

- Do not spray flammable liquids.
- Do not use acids and solvents in this product.
- These products can cause physical injuries to the operator and irreversible damage to the machine.

⚠ WARNING ⚠

Risk of Electric Shock

- Inspect cord before using - do not use if cord is damaged.
- Keep all connections dry and off the ground.
- Do not touch plug with wet hands.

⚠ CAUTION ⚠

Gun Kicks Back

- Hold with both hands.
- The trigger gun safety lock prevents the trigger from being engaged accidentally.
- The safety feature DOES NOT lock trigger in the ON position.

GENERAL SAFETY RULES

1. Never operate the machine without all components properly connected to the machine (handle, gun/wand assembly, nozzle, etc.).
2. Never operate pressure washer with broken or missing parts. Check equipment regularly and repair or replace worn or damaged parts immediately.
3. Never put hand or fingers over the nozzle or spray tip while operating the unit.
4. Never spray flammable liquids or use pressure washer in areas containing combustible dust, liquids or vapors. An electric spark could cause an explosion.
5. Never leave the wand unattended while the machine is running or switched on.
6. Never disconnect the high pressure discharge hose from the machine while the system is pressurized. To depressurize machine, turn power and water supply off, then depress gun trigger 2-3 times.
7. Never cover the pressure washer during operation to allow free air cooling.

IMPORTANT SAFETY INSTRUCTIONS

- Always wear safety glasses or goggles when operating or performing maintenance.
- Always move switch on unit to "OFF" position before connecting or disconnecting cord to electrical outlets.
- Always turn water supply "on" before turning pressure washer "on" unless draining for storage. Running pump dry causes serious damage.
- Always hold gun and wand firmly when starting and operating the machine.
- Always follow detergent manufacturer's label recommendations for proper use of detergents. Always protect eyes, skin and respiratory system from detergent if used.
- Always lock the trigger of spray gun in the safety position when not in use.
- Do not use pressure that exceeds the operating pressure of any of the parts (hoses, fittings, etc.) in the pressurized system. Never use with any other manufacturer's accessories or components.
- Do not spray electrical apparatus and wiring or the machine itself.
- Do not operate the pressure washer with the inlet water filter removed. Keep filter clear of debris and sediment.
- Discharge residual pressure by depressing the trigger until no more water comes out of the nozzle.
- Keep clear of nozzle. Never direct high pressure spray at any person, animal or self.
- To minimize the amount of water getting into the pressure washer, the unit should be placed as far as possible from the cleaning site during operation.

GROUND FAULT CIRCUIT INTERRUPTER PROTECTION

This pressure washer is provided with a Ground Fault Circuit Interrupter (GFCI) built into the power supply cord. This device provides additional protection from the risk of electrical shock. Should replacement of the plug or cord become necessary, use only identical replacement parts that include GFCI protection. See Page 4 for testing procedure.

⚠ WARNING ⚠

Connect directly to outlet. Do not use machine with extension cord. The use of an extension cord will override the GFCI built into the plug of the power supply cord resulting in the risk of electrical shock.

DOUBLE-INSULATION INSTRUCTION



In a double-insulation product, two systems of insulation are provided instead of grounding. No grounding is provided on a double-insulated product, nor should a means for grounding be added to the product. Servicing a double-insulated product requires extreme care and knowledge of the system, and should be done only by qualified service personnel. Replacement parts of a double-insulated product must be identical to the parts they replace. A double-insulated product is marked with the words "**DOUBLE-INSULATION**" or "**DOUBLE-INSULATED**". The symbol "□" may also be marked on the product.

SAVE THESE INSTRUCTIONS

SAFETY FEATURES

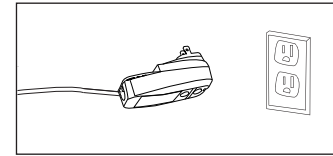
Total stop system (TSS)

The pressure washer is equipped with a total stop system (TSS) that will sense when the trigger on the gun is depressed or released. It will open the power circuit to the motor, and cause the pressure washer motor to stop. The motor will start again when the trigger is depressed.

⚠ WARNING ⚠

The pressure washer is also equipped with a main power "ON/OFF" switch located on the unit. It should always be moved to the "OFF" position when the pressure washer is not being used to prevent possible injury or damage.

Ground Fault Circuit Interrupter Protection



This device provides additional protection from the risk of electrical shock. Plug the Ground Fault Circuit Interrupter (GFCI) into a power outlet. Indicator should turn red. **TEST BEFORE EACH USE.** Press the "TEST" button. Red indicator should disappear. Press "RESET" button again for use. Do not use if above test fails.

Extension Cords

If possible, do not use extension cords with this product. However, if you must use one, observe all of the warnings and instructions listed below:

⚠ WARNING ⚠

Extension cords are not recommended unless they are plugged into a ground fault circuit-interrupter (GFCI) found in circuit boxes or protected receptacles.

Use a sufficient gauge:

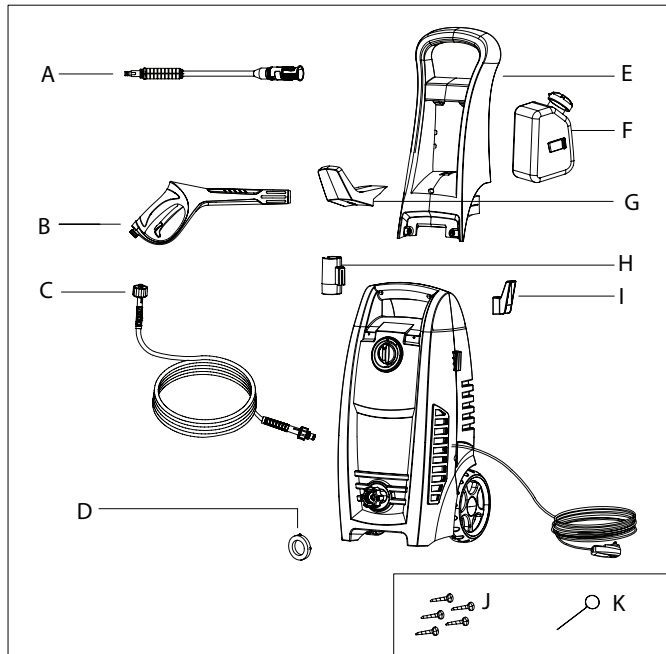
Maximum cable length: 50' (15.2 m). Only use 12 or 14 AWG rated extension cords.

- Use only extension cords that are intended for outdoor use. These extension cords are identified by a marking that reads "Acceptable for use with outdoor appliances; store indoors while not in use."
- Use only extension cords having an electrical rating not less than the rating of the product.
- Do not use damaged extension cords. Examine extension cord before using and replace if damaged. Do not abuse extension cord and do not yank on any cord to disconnect.
- Keep cord away from heat and sharp edges.
- Always disconnect the extension cord from the receptacle before disconnecting the product from the extension cord.
- To reduce the risk of electric shock, keep all connections dry and off the ground. Do not touch plug with wet hands.

⚠ CAUTION ⚠

This machine has been designed for use with detergents that are specifically approved for pressure washer use. The use of other cleaning detergents may affect the operation of the machine and void the warranty.

PARTS AND DIAGRAM LIST



Item No.	Quantity	Part Name
A	1	Adjustable wand
B	1	Spray gun
C	1	High-pressure hose
*D	1	Water filter
E	1	Handle
F	1	Detergent bottle assembly
G	1	Hose bracket
H	1	Gun holder
I	1	Power cord bracket
J	5	Screws
K	1	Needle (for nozzle cleaning)

ASSEMBLY AND OPERATING INSTRUCTIONS

Tools Required

- Philips Screwdriver

Surface Preparation

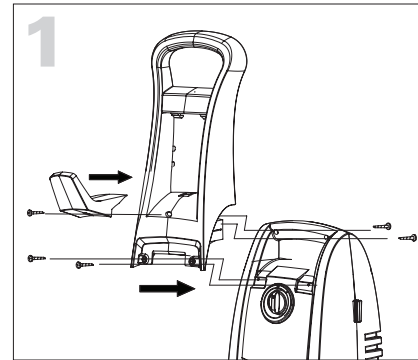
Before starting any cleaning task, it is important to inspect the area for objects that could create a hazard. Remove any objects from the work area that could be tripped over, such as toys or outdoor furniture. Ensure that all doors and windows are closed tightly.

Water Supply (Cold Water Only)

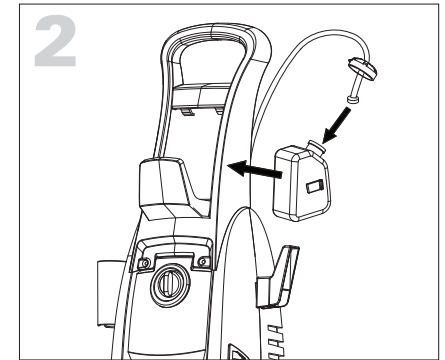
Only draw water through the unit. For use with cold water supply only. Water hose must be at least a 1/2" (13 mm) in diameter. Flow rate of water supply must not fall below 2 GPM (gallons per minute) [9.1 lpm (litres per minute)]. Flow rate can be determined by running the water for one minute into an empty 5-gallon (19 L) container. The water supply temperature must not exceed 104°F (40°C).

⚠ CAUTION ⚠

- Never use the pressure washer to draw in water contaminated with solvents (e.g. paint thinners, gasoline, oil, etc.).
- Dirt in the water inlet will damage the unit. To avoid this risk, we recommend checking the water filter (located inside the water inlet. To clean it out see Maintenance section).
- Always prevent debris from being drawn into the unit by using a clean water source and an additional accessory water filter if required.
- To prolong the life of the unit, rest the unit for 5 minutes after every 30 minutes of use.



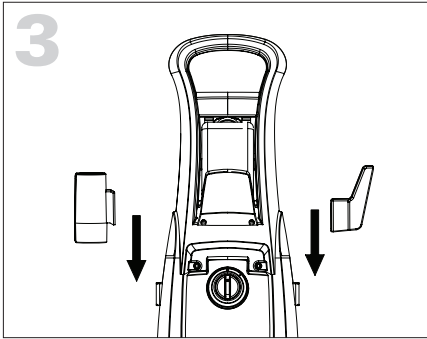
Assemble handle onto pressure washer and attach hose bracket to handle. Tighten all the screws.



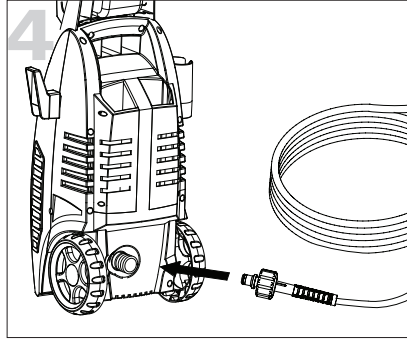
Connect detergent suction tube to the bottle and attach to the handle.

* Water filter come pre-attached on the water inlet, located on the front of the pressure washer.

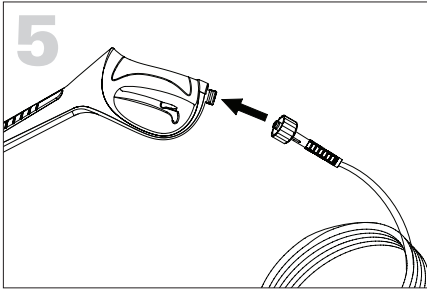
ASSEMBLY AND OPERATING INSTRUCTIONS



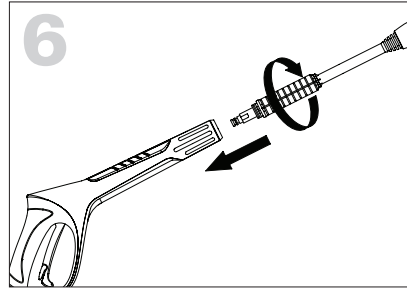
Attach gun holder and power cord bracket.



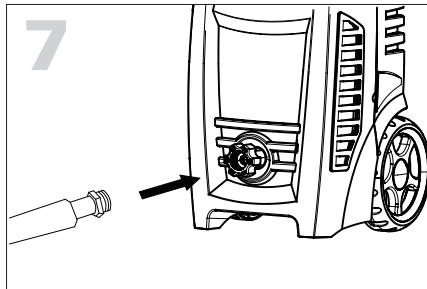
Attach high pressure hose to the machine's water outlet (hand tighten only)



Attach high pressure hose to the gun assembly (hand tighten only).

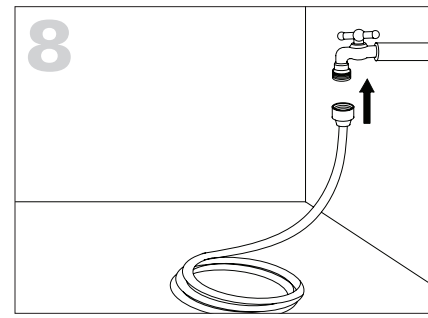


Insert choice of wand to the gun and twist ¼ turn to lock in position.

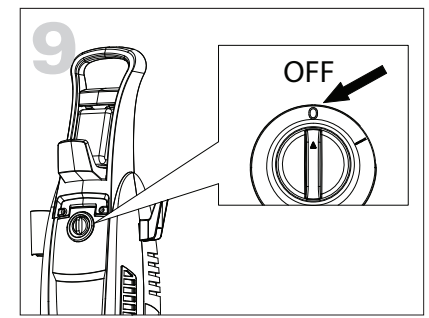


Attach the garden hose to the water inlet (hand tighten only).

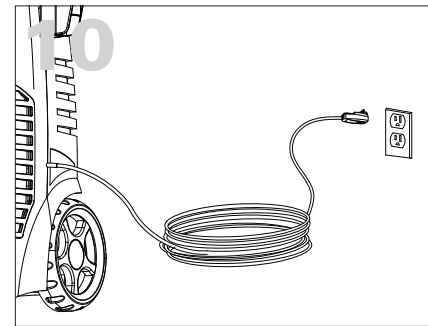
ASSEMBLY AND OPERATING INSTRUCTIONS



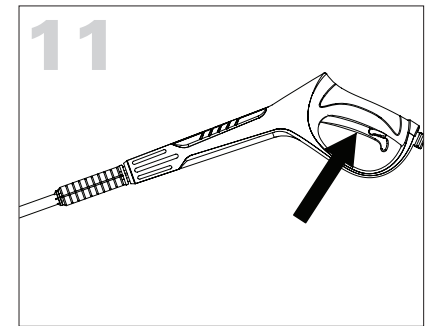
Attach garden hose to water supply and turn water on.



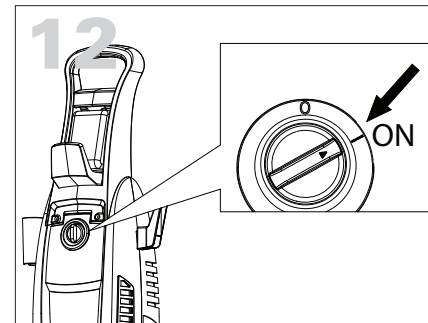
Make sure the ON/OFF switch is in the OFF position.



Completely unwind power cord and plug the GFCI into an outlet, ensure there are no other items using this circuit.



Depress trigger until there is a steady stream of water.



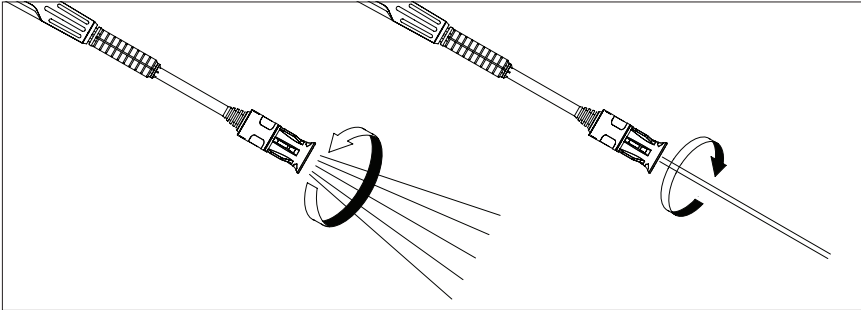
Turn switch to ON position.

⚠ CAUTION ⚠

Drain unit after each use (for storage): remove water connection, turn ON the machine for a few seconds and press gun trigger to bleed remaining water in the pump. Turn OFF immediately.

ASSEMBLY AND OPERATING INSTRUCTIONS

USING THE ACCESSORIES



Adjustable Spray Nozzle

The adjustable spray nozzle can be adjusted from fan to jet. The spray is adjusted from jet to fan spray by turning the nozzle.

⚠ CAUTION ⚠

Jet spray adjustment is very aggressive. Do not adjust while spraying.

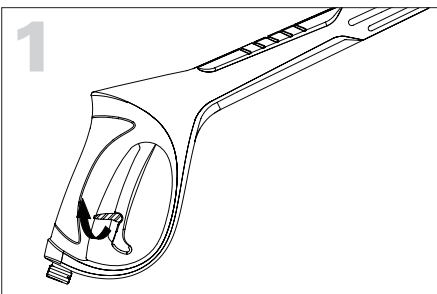
WORKING WITH DETERGENTS

Working with detergent ensures a quick soaking of the dirt, and allows the high-pressure water to penetrate and remove the dirt more effectively. Always spray detergent on a dry surface, do not pre-soak area. Wetting the surface first dilutes the detergent and reduces its cleaning ability.

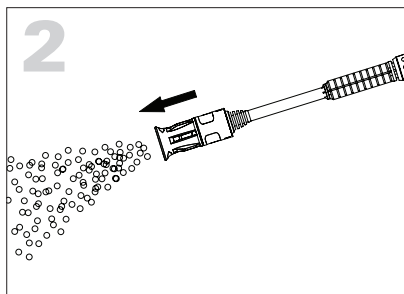
To apply detergents you must be operating at low-pressure. This provides a gentle application of detergent, with the pressure equivalent to a lowest garden hose. The high-pressure setting is used for cleaning; you cannot apply detergents when working at high-pressure. Always test detergent in an inconspicuous area before use.

⚠ CAUTION ⚠

Only use cleaning detergents recommended for pressure washers.

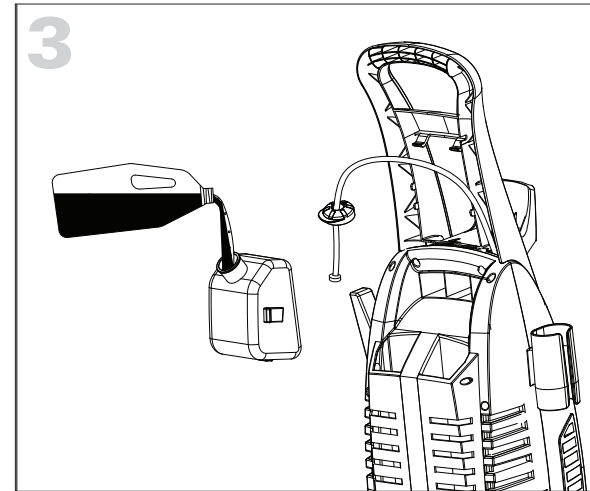


Engage gun safety lock.



Set the adjustable wand to the low-pressure setting by pulling the nozzle out. The wand must be set in the low-pressure position to apply detergent.

ASSEMBLY AND OPERATING INSTRUCTIONS



Gently pull detergent container out of storage position, and fill with detergent. Push containers back into storage position.

- 4 Turn on the pressure washer. Pull trigger to operate unit. The liquid detergent will automatically mix with water, and be discharged through the nozzle at low pressure. Apply detergent to a DRY work surface, from bottom to top.
- 5 Allow detergent to remain on the surface for a short time before rinsing. Do not allow detergent to dry on surface.
- 6 Rinse with clean water under high pressure. On a vertical surface, rinse from the bottom up, then rinse from the top down to avoid streaking. Hold nozzle 6-8" (15-20 cm) from the work surface, at a 45° angle.
- 7 When you have finished using the detergent injection system, fill detergent bottle with clean water. Siphon water at low pressure for one minute, so that all detergent is flushed through system. Remove detergent bottle, and rinse it thoroughly.

⚠ CAUTION ⚠

Damage may occur to painted surface if chemical is allowed to dry on surface. Wash and rinse a small section at a time. Avoid working on hot surfaces or in direct sunlight.

ASSEMBLY AND OPERATING INSTRUCTIONS

SHUTTING DOWN AND CLEANING UP

- 1 (If you are not using detergent, go directly to Step 2.) When you have finished using the detergent injection system, fill detergent bottle with clean water. Siphon water at low-pressure for one minute so that all detergent is flushed through system. Remove detergent bottle and rinse it thoroughly.
- 2 Turn the switch to "OFF" (0) position.
- 3 Unplug the power cord from the outlet.
- 4 Turn off the water supply.
- 5 Press trigger to release any remaining water pressure.
- 6 Disconnect the garden hose from the water inlet on the unit.
- 7 Engage gun safety lock.

⚠ WARNING ⚠

Turn off water supply and squeeze trigger to depressurize the unit. Failure to do so could result in personal injury due to discharge of high-pressure water.

TAKING A BREAK

If taking a break of five minutes or more:

- 1 Engage gun safety lock.
- 2 Turn unit to "OFF" (0) position.
- 3 Unplug the power cord from the outlet.

⚠ CAUTION ⚠

Failure to clean properly will cause the detergent injection system to become clogged and inoperable.

⚠ CAUTION ⚠

Never use:

- Bleach, chlorine products and other corrosive chemicals
- Liquids containing solvents (i.e., paint thinners, gasoline, oils)
- Tri-sodium phosphate products
- Ammonia products
- Acid-based products

These chemicals will harm the unit and will damage the surface being cleaned.

WINTERIZING AND LONG-TERM STORAGE

OPTIMUM WINTERIZING PROCEDURE

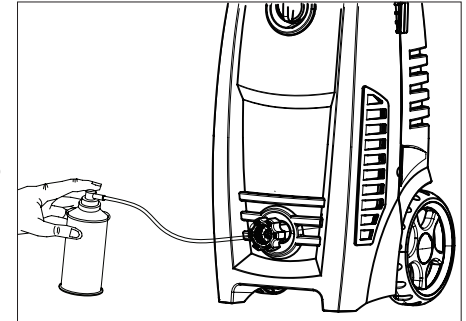
Winterizing your pressure washer will help protect and prolong its life. We strongly recommend you follow the below steps using Pressure Washer Pump Saver (39-8602-0). This will keep the internal parts lubricated, protected from rust, and prevents the pump from freezing.

- 1 Connect Pressure Washer Pump Saver hose onto the water inlet.
- 2 Depress button on top of Pump Saver container.
- 3 Continue until fluid exits the pressure hose.
- 4 Remove the hose from pump inlet (water inlet).

QUICK WINTERIZING PROCEDURE

If you cannot do the Optimum Winterizing procedure, you can still protect your pressure washer from winter-damage by doing below:

- 1 Disconnect all water connections.
- 2 Turn on the machine for a few seconds, until the remaining water in the pump exits. Turn off immediately.
- 3 Do not allow high-pressure hose to become kinked.
- 4 Store the machine and accessories in a room that does not reach freezing temperatures. Do not store near furnace or other sources of heat as it may dry out the pump seals.



Recommended: Pressure Washer Pump Saver (39-8602-0)

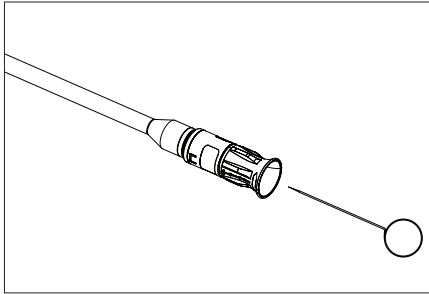
⚠ CAUTION ⚠

Drain gun assembly of any remaining water. Aim gun downwards and squeeze trigger.

CLEANING AND MAINTENANCE

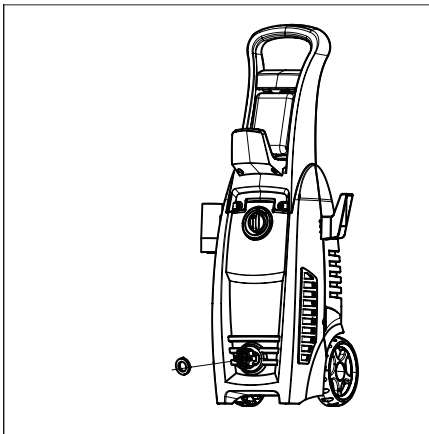
Connections

Connections on pressure washer hoses; gun and spray wand should be cleaned regularly and lubricated with non-water soluble grease.



Spray Tips Only

Clogging of the spray tips causes the pump pressure to be too high and cleaning is immediately required. You can clean the spray tips by carefully inserting the needle, or a thin, sharp instrument (i.e. paperclip) into the tip to rid it of deposits.



Water Filter Screen

The pressure washer is equipped with a water inlet screen to protect the pump. If the screen is not kept clean, the flow of water to the pressure washer will be restricted and the pump may be damaged.

1. To clean inner water screen, push the connector inside and and remove the filter screen from the water inlet.
2. Rinse screen until it is free of debris and blockage.
3. Replace screen immediately to prevent any foreign matter from entering the pump.

TROUBLESHOOTING

Disconnect the machine from the power source before making any repairs.

Symptom	Cause	Solution
Motor will not start.	On/Off switch is in the "OFF" (O) position.	Turn switch to the "ON" (I) position.
	GFCI is not plugged in.	Plug in GFCI.
	Extension cord is too long. Extension cord is not proper gauge. Extension cord is damaged.	Replace extension cord with either a 25' (7.6 m) 14AWG cord or a 50' (15 m) 14AWG cord.
	Electrical outlet does not supply adequate power.	Try a different outlet.
	Tripped pressure washer thermal protector.	Allow to cool, and restart unit.
Unit does not reach high pressure.	Diameter of garden hose is too small.	Replace with a 1" (25 mm) or 5/8" (16 mm) garden hose.
	Water supply is restricted.	Check garden hose for kinks, leaks and blockage.
	Not enough water supply.	Open water source fully.
	Water inlet filter is clogged.	Remove filter and rinse in warm water.
	Power nozzle is in low-pressure position.	Turn power nozzle to high-pressure position.
	Pump is sucking air.	Check that hoses and fittings are airtight. Turn "OFF" machine, and purge pump by squeezing trigger gun until a steady flow of water emerges through the nozzle.
Output pressure varies high and low.	Not enough inlet water supply.	Turn water on fully. Check garden hose for kinks, leaks or blockage.
	Pump is sucking air.	Check that hoses and fittings are airtight. Turn "OFF" machine, and purge pump by squeezing trigger gun until a steady flow of water emerges through the nozzle.
	Water inlet filter is clogged.	Remove filter and rinse with warm water.

TROUBLESHOOTING

Symptom	Cause	Solution
Output pressure varies high and low. (continued)	Discharge nozzle is obstructed.	Blow out or remove debris with a fine needle.
	Calcified gun, hose or power nozzle.	Run distilled vinegar through detergent tank.
Detergent not working.	Detergent container is empty.	Add more detergent.
	Detergent bottle or suction tube not properly connected.	Check connections.
	Detergent is too thick.	Dilute detergent.
	Filter on detergent suction tube is clogged.	Run warm water through filter to remove build-up.
	Nozzle is in high-pressure position.	Turn nozzle tip to low-pressure position.
	Discharge nozzle is obstructed.	Blow out or remove debris with a fine needle.
Garden hose connection leaks.	Loose fittings.	Tighten fittings.
	Missing/worn rubber washer.	Insert new washer.
Spray wand, extension, or nozzle leaks.	Broken o-ring or plastic insert.	Call the Toll-Free Hotline.
Pump is noisy	Pump is sucking air	Check that hoses and fittings are airtight. Turn off machine and purge pump by squeezing trigger gun until a steady flow of water emerges through the nozzle.
	Water filter is clogged.	Remove water filter and rinse in warm water.
Water leaks from pump (up to 10 drops per minute is permissible).	Loose fittings.	Check that all fittings are tight.
	Water seals are damaged or worn.	Call the Toll-Free Hotline
Oil is dripping	Oil seals are damaged or worn.	Call the Toll-Free Hotline

TROUBLESHOOTING

Symptom	Cause	Solution
Motor buzzes but fails to run.	Supply voltage below minimum.	Verify that only the pressure washer is running on this circuit.
	System has residual pressure.	Turn unit "OFF"; squeeze trigger on spray wand to release pressure, then turn unit "ON".
	Voltage loss due to extension cord.	Unplug any extension cords attached and plug the unit directly into the outlet.
	Pressure washer not used for long periods.	Call the Toll-Free Hotline.
	Residual friction among components. Unit might hum.	Disconnect water supply and power ON for 2 to 3 seconds, repeat couple times or until the motor starts.
	No Water	Water supply is OFF.
Kink in the garden hose.		Remove kink in garden hose.

IF YOU HAVE ANY QUESTIONS, CALL OUR TOLL FREE HOTLINE:

1-866-902-9690

8:00 am to 5:00 pm, C.S.T., Monday - Friday

www.ForceToolsUSA.com

TECHNICAL SPECIFICATIONS

Rated Pressure: 1400 PSI
Power Source Requirement: 120 V / 60 Hz
Electrical Cord: 35'
High-pressure Hose: 19'
Rated Water Flow Rate: 1.4 GPM
Current Drawn: 13A
Inlet Water: Cold Tap Water

WARRANTY

Product Warranty

Always keep your receipt as proof of purchase.
This product has a Parts Replacement, Product Exchange and/or Repair Warranty only.
NO REFUNDS will be provided. Please see stores for Product Exchange details

Two-(2) year Warranty - Motor And Pump

This product is warranted to be free from defects in material and workmanship for two years from the date of its original purchase. If such a defect appears during the warranty period, upon presentation of proof of purchase, Altaquip will repair or replace the product (at its option). If deemed non-repairable, product will be exchanged. Shipping charges may apply.

Ninety-(90) day Warranty - Accessories

Spray gun, hose, wand, tips, and other accessories are warranted for ninety (90) days from the date of purchase.

This warranty does not cover accidental damage, unreasonable use, normal wear and tear, use of improper detergents, freezing, neglect, or non-compliance with Operating Instructions. Warranty does not cover loss of use, or other consequential damages arising from any of the above, nor does it cover repairs made or attempted by unauthorized persons.

Warranty is void if the equipment is used for commercial, rental or industrial purposes.

If you have more questions, call toll free: (866) 902-9690