

# WAYWOOD by *Aire*

A Minka Group Design

---

READ AND SAVE ALL INSTRUCTIONS



INSTRUCTION MANUAL WARRANTY CERTIFICATE

This product is protected by United States Federal and/or State Law, including Patent, Trademark and/or Copyright laws. Manual design and all elements of manual design are protected by U.S. Federal and/or State Law, including Patent, Trademark and/or Copyright laws.



1151 W. Bradford Court, Corona, CA 92882 • For Customer Assistance Call: 1-800-307-3267



# WARRANTY

The Aire warranty is for one (1) year from the date of purchase from an authorized Aire dealer. This warranty is only valid to the original purchaser or user against all defects in material and workmanship (light bulbs excluded) for one (1) full year. Additionally, Aire warrants the motor only for the lifetime of the Aire ceiling fan (excluding wall controls and electrical components), to the original purchaser or user.

- The warranty is void with the use of any non-Aire electrical devices; e.g., wall controls or electrical dimmer switches, etc.
- The warranty is void once the original purchaser or user ceases to own the fan or the fan is moved from its original point of installation.
- The warranty is void with the use of any hanger bracket (non-Aire or non-fan specific) other than the hanger bracket supplied in the box.
- The warranty is void if installed in an environment other than its intended use (Indoor fans installed outdoors or in a covered outdoor patio area, or subjected to environmental conditions: salt air, humidity, direct sun exposure, etc.). Outdoor finishes are specifically excluded from the terms of this warranty since they are subject to environmental and maintenance damages beyond our control.

## WARRANTY SERVICE INFORMATION

To obtain warranty service during the warranty period, the purchaser should return the fan with the original sales receipt to the original place of purchase. Replacement is subject to availability of the same model. This is a limited warranty; the original purchaser or user is responsible for the cost of removal and re-installation of repaired or replacement product. Outdoor finishes are specifically excluded from the terms of this warranty since they are subject to environmental and maintenance damages beyond our control.

Fan warranty registration should be mailed as addressed on the warranty card.

Date Purchased \_\_\_\_\_ Store Purchased \_\_\_\_\_ Model Number 04651.04653

Serial Number \_\_\_\_\_

## CONTENTS

SAFETY RULES.....	4	ATTACHING THE FAN BLADES.....	12
PACKAGE CONTENTS.....	5	INSTALLING THE LIGHT KIT PLATE.....	12
PRE-INSTALLATION.....	6	INSTALLING THE 17W LED ASSEMBLY.....	13
INSTALLING THE FAN.....	7	INSTALLING THE GLASS SHADE.....	13
HANGING THE FAN-STANDARD CEILING MOUNTING.....	8	OPERATING THE REMOTE CONTROL.....	14
HANGING THE FAN-CLOSE-TO-CEILING MOUNTING.....	9	CARE OF YOUR FAN.....	15
ELECTRICAL CONNECTIONS.....	10	TROUBLESHOOTING.....	16
FINISHING THE INSTALLATION.....	11	SPECIFICATIONS.....	17

# SAFETY RULES

1. To reduce the risk of electric shock, ensure electricity has been turned off at the circuit breaker or fuse box before beginning.
2. All wiring must be in accordance with the National Electrical Code “ANSI/NFPA 70-1999” and local electrical codes. Electrical installation should be performed by a qualified licensed electrician.
3. The outlet box and support structure must be securely mounted and capable of reliably supporting a minimum of 35 lbs. Use only UL-listed outlet boxes marked “FOR FAN SUPPORT.”
4. The fan must be mounted with a minimum of 7 ft. clearance from the trailing edge of the blades to the floor.
5. Avoid placing objects in the path of the blades.
6. To avoid personal injury or damage to the fan and other items, be cautious when working around or cleaning the fan.
7. Do not use water or detergents when cleaning the fan or fan blades. A dry dust cloth or lightly dampened cloth will be suitable for most cleaning.
8. After making electrical connections, spliced conductors should be turned upward and pushed carefully up into the outlet box. The wires should be spread apart with the grounded conductor and the equipment-grounding conductor on one side of the outlet box and ungrounded conductor on the other side of the outlet box.
9. All setscrews must be checked and retightened where necessary before installation.
10. Turn the fan off and wait for the blades to stop completely before performing any maintenance or cleaning.

**ATTENTION:** The Energy Policy Act of 2005 requires this fan to be equipped with a 190 watt limiting device. If lamping exceeds 190 watts, the ceiling fan's light kit will shut off automatically.

**NOTE:** The important safeguards and instructions appearing in this manual are not meant to cover all possible conditions and situations that may occur. It must be understood that common sense, caution and care are factors which cannot be built into this product. These factors must be supplied by the person (s) installing, caring for and operating the unit.

## **WARNING**

TO REDUCE THE RISK OF FIRE, ELECTRIC SHOCK, OR OTHER PERSONAL INJURY, MOUNT FAN ONLY ON AN OUTLET BOX OR SUPPORTING SYSTEM MARKED ACCEPTABLE FOR FAN SUPPORT OF 35 LBS (15.9 KG) OR LESS AND USE MOUNTING SCREWS PROVIDED WITH THE OUTLET BOX. MOST OUTLET BOXES COMMONLY USED FOR THE SUPPORT OF LIGHTING FIXTURES ARE NOT ACCEPTABLE FOR FAN SUPPORT AND MAY NEED TO BE REPLACED. CONSULT A QUALIFIED ELECTRICIAN IF IN DOUBT.

TO REDUCE THE RISK OF PERSONAL INJURY, DO NOT BEND THE BLADE HOLDERS WHILE INSTALLING, BALANCING THE BLADES OR CLEANING THE FAN. DO NOT INSERT FOREIGN OBJECTS BETWEEN ROTATING FAN BLADES.

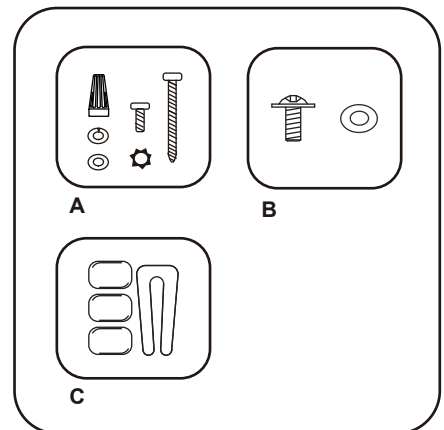
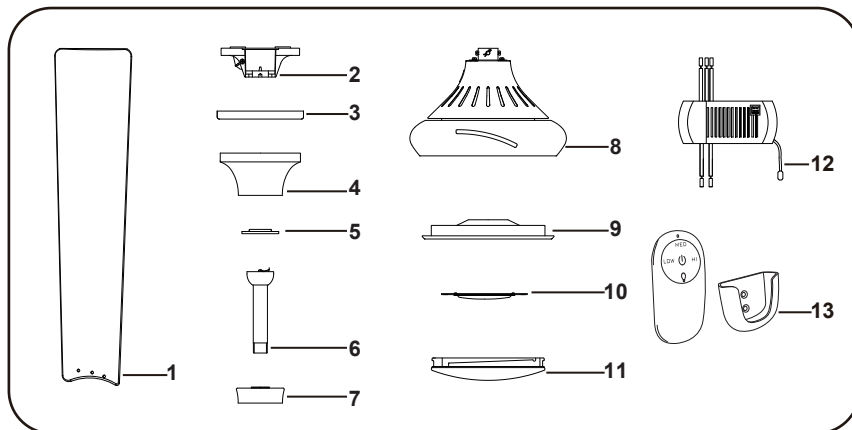
TO REDUCE THE RISK OF FIRE OR ELECTRONIC SHOCK, THIS FAN ONLY CAN USE DL-1167RYS-02 SOLID-STATE SPEED CONTROL WITH DL-4112S-04 REMOTE CONTROL ONLY.

# PACKAGE CONTENTS

Unpack your fan and check the contents. You should have the following items:

1. Fan blades (4)
2. Hanger bracket
3. Canopy ring
4. Canopy
5. Canopy cover
6. Downrod assembly(6")
7. Coupling cover
8. Fan motor/housing assembly
9. Light kit plate
10. 17W LED assembly
11. Glass shade
12. Receiver with 6 wire nuts
13. Transmitter+holder+2 mounting screws

- A. Mounting hardware:
  - #10 x 1.5" Wood screws (2 PCs.)
  - #8 x 3/4" Machine screws (2 PCs.)
  - Lock washers (2 PCs.)
  - 4mm Star washers (2 PCs.)
  - Wire nuts (3 PCs. )
  - Washers (2 PCs.)
- B. Blade attachment hardware:
  - 3/16" x 12.7 mm Screws (13 PCs.)
  - Fiber washers (13 PCs.)
- C. Balancing kit



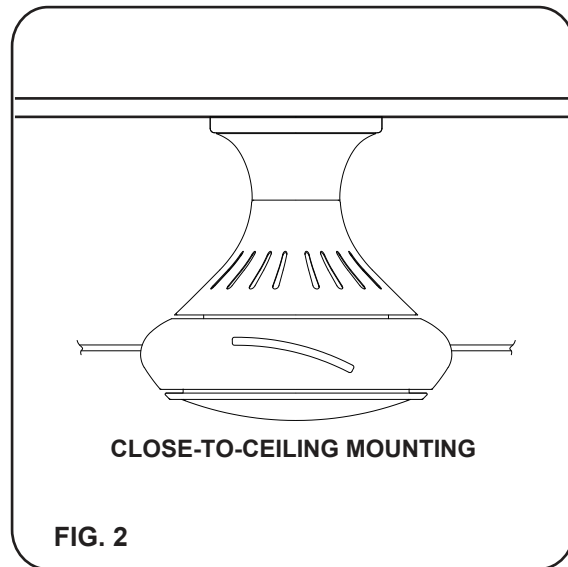
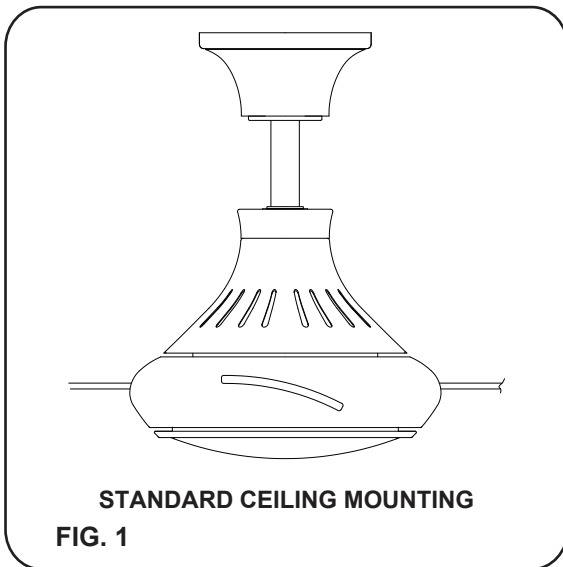
# PRE-INSTALLATION

## DUAL MOUNTING INSTRUCTIONS

This ceiling fan is supplied with two types of hanging assemblies: the standard ceiling installation using the downrod with ball and socket mounting, and the "close-to-ceiling" mounting. The "close-to-ceiling" mounting is recommended in rooms with less than 8 ft. ceilings or in areas where additional space is desired from the floor to the fan blades.

When using the standard downrod installation, the distance from the ceiling to the bottom of the fan blades will be approximately 12.4 in. The "close-to-ceiling" installation reduces the distance from the ceiling to the bottom of the fan blades to approximately 7.9 in.

Once you have decided which ceiling installation you will use, refer to the corresponding sections and procedures during the assembly period. Where necessary, each section of the instructions will note the different procedures to follow for the two types of installation.



# INSTALLING THE FAN

Tools Required: Phillips screw driver; slotted screw driver; step-ladder; wire cutters; electrical tape.

## MOUNTING OPTIONS

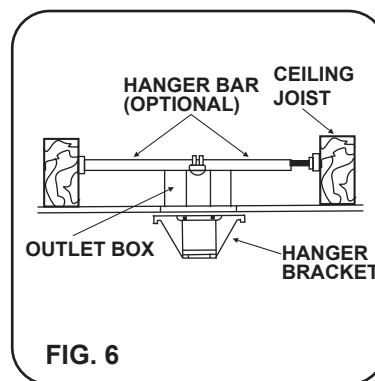
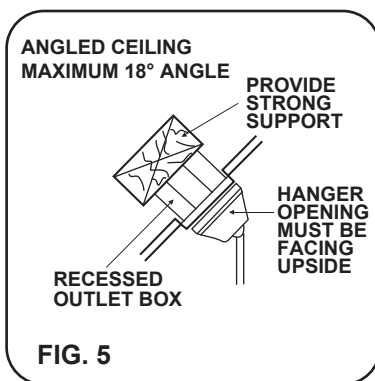
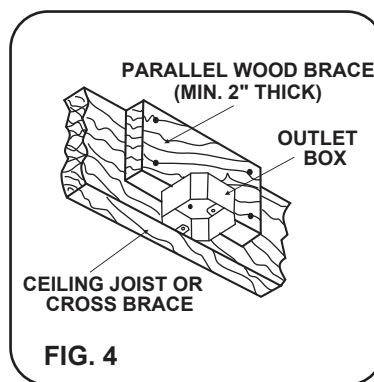
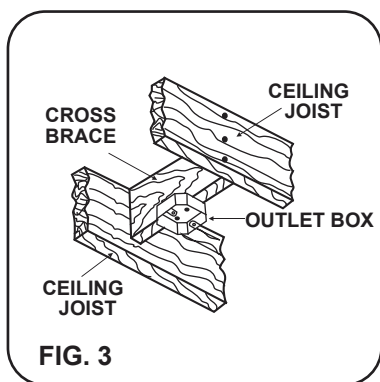
If there isn't an existing mounting box, then read the following instructions. Disconnect the power by removing fuses or turning off circuit breakers.

Secure the outlet box directly to the building structure. Use appropriate fasteners and building materials. The outlet box and its support must be able to fully support the moving weight of the fan (at least 50 lbs.). Use a UL Listed metal outlet box. Do not use a plastic outlet box.

Figure 3, 4 and 5 are examples of different ways to mount the outlet box.

**Note:** You may need a longer downrod to maintain proper blade clearance when installing on a steep, sloped ceiling. Longer downrods are available from your Aire dealer.

To hang your fan where there is an existing fixture but no ceiling joist, you may need to install a hanger bar as shown in Fig. 6 (available at your Aire dealer).



# HANGING THE FAN-STANDARD CEILING MOUNTING

**WARNING:** All of the parts, hardware and components such as the hanger bracket and hanger ball have been provided for your safety and the proper installation of your new ceiling fan. The use of other parts, hardware or components not supplied by Aire with the fan will void the Aire Warranty.

**REMEMBER** to turn off the power. Follow the steps below to hang your fan properly:

Step 1. Secure the Hanger Bracket to the ceiling outlet box using the screws provided with your outlet box in conjunction. (Fig. 5)

Step 2. Loosen the two Set Screws and remove the Hitch Pin and Lock Pin from the coupling located on the top of the Motor Assembly. (Fig. 6)

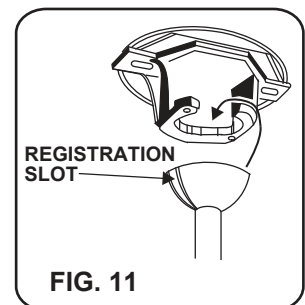
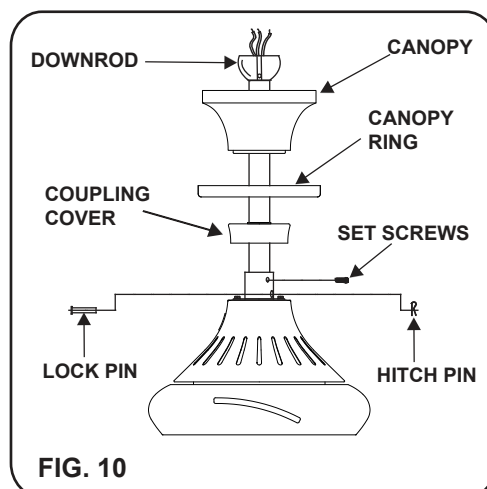
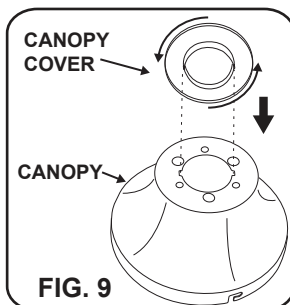
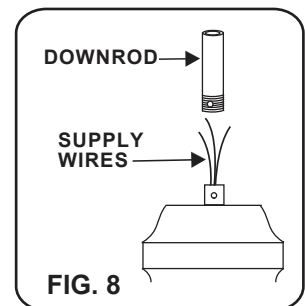
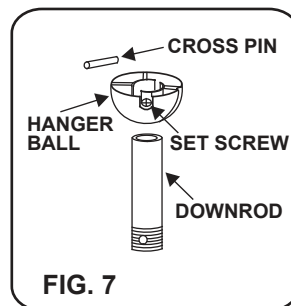
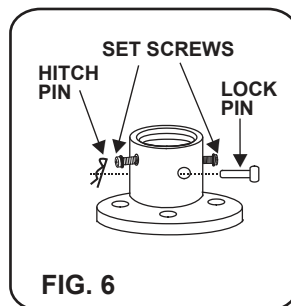
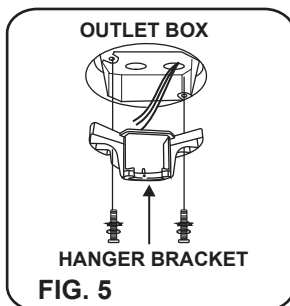
Step 3. Remove the Hanger Ball from the Downrod Assembly by loosening the Set Screw and removing the Cross Pin. (Fig. 7)

Step 4. Carefully feed fan wires up through the downrod. (Fig. 8) Thread Downrod into the Coupling until the holes are lined up and secure with the Lock Pin and Hitch Pin previously removed, tighten Set Screws. (Fig. 10)

Step 5. Installing the canopy cover to the canopy. (Fig. 9)

Step 6. Slip coupling cover, canopy ring and canopy onto downrod. (Fig. 10) Carefully reinstall hanger ball onto rod being sure that cross pin is in correct position, set screws are tighten and wires are not twisted.

Step 7. Lift the Motor Assembly and place the Hanger Ball into the Hanger Bracket. Rotate the Motor Assembly as needed until the check groove from the Hanger Ball rests firmly over the registration tab from the Hanger Bracket. (Fig. 11)





# HANGING THE FAN-CLOSE-TO-CEILING MOUNTING

**WARNING:** All of the parts, hardware and components such as the hanger bracket and hanger ball have been provided for your safety and the proper installation of your new ceiling fan. The use of other parts, hardware or components not supplied by Aire with the fan will void the Aire Warranty.

**REMEMBER** to turn off the power. Follow the steps below to hang your fan properly:

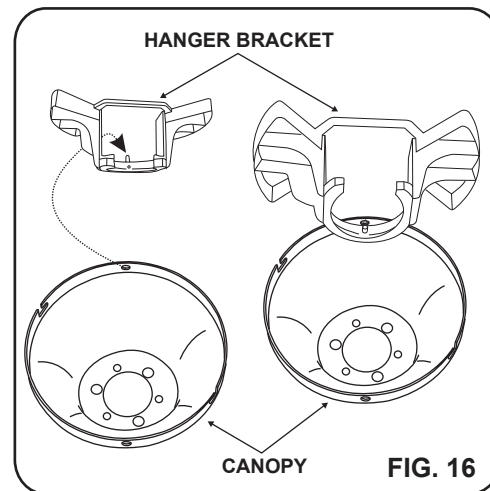
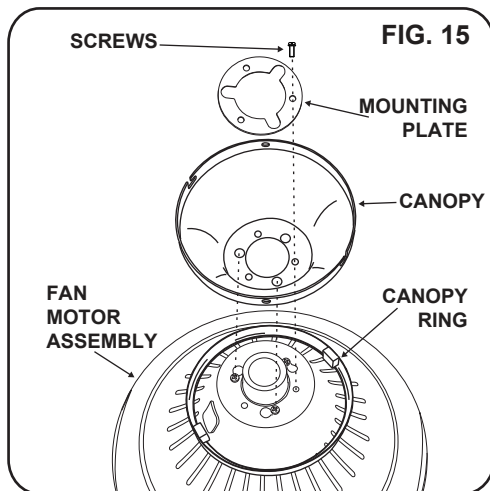
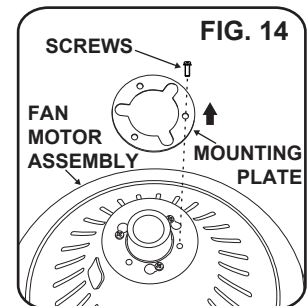
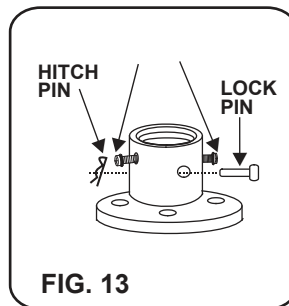
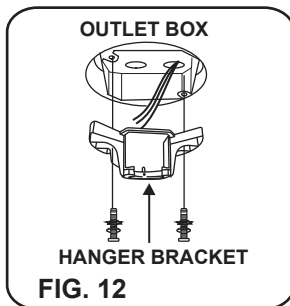
Step 1. Secure the Hanger Bracket to the ceiling outlet box using the screws provided with your outlet box in conjunction. (Fig. 12)

Step 2. Remove the two Set Screws, the Hitch Pin and Lock Pin from the coupling located on the top of the Motor Assembly. (Fig. 13)

Step 3. Remove the mounting plate from the coupling by removing three screws. (Fig. 14)

Step 4. Place the canopy ring and the canopy over the coupling. Attach the canopy to the fan motor assembly using the three screws and the mounting removed in step. 3 (Fig. 15)

Step 5. To prepare the fan for wiring, hang fan onto hanging bracket by sliding the canopy over the hanging bracket tab. (Use one of the non-slotted holes on the rim of the canopy ) (Fig. 16)



# ELECTRICAL CONNECTIONS

**WARNING:** To avoid possible electrical shock be sure electricity is turned off at the main fuse or breaker box before wiring.

**NOTE:** This remote control unit is equipped with 16 code combinations to prevent possible interference from or to other remote units. The frequency switches on your receiver and remote control have been preset at the factory. Please recheck to make sure the switches on the remote control and the receiver are set to the same position (Fig. 17). Any combination of settings will operate the fan as long as the switches in the remote control and receiver are set to the same position.

Step 1. Insert Receiver into Hanger Bracket with the flat side of the Receiver facing the ceiling. (Fig. 18)

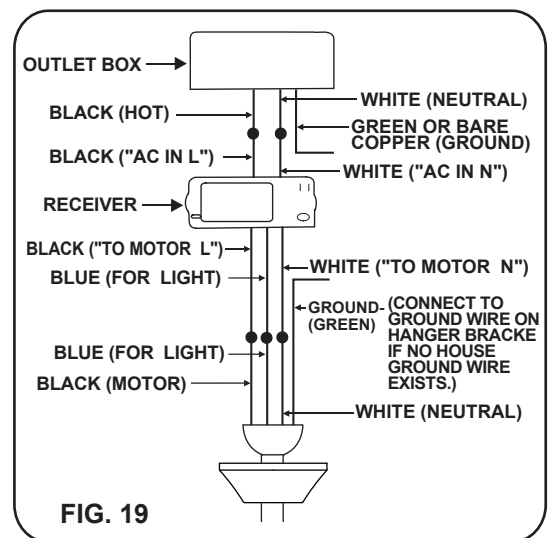
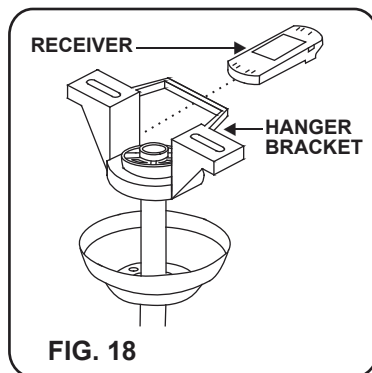
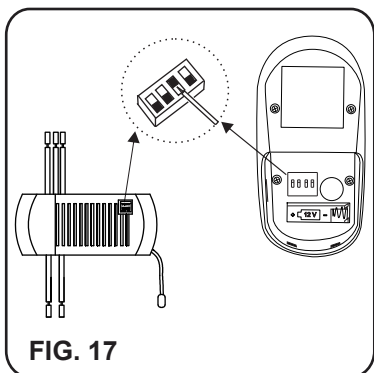
Step 2. Motor to Receiver Electrical Connections: Connect the WHITE wire from the fan to the WHITE wire marked "TO MOTOR N" from the Receiver. Connect the BLACK wire from the fan to the BLACK wire marked "TO MOTOR L" from the Receiver. Connect the BLUE wire from the fan to the BLUE wire marked "FOR LIGHT" from the Receiver. (Fig. 19)

**NOTE:** Fan must be installed from a maximum distance of 40 feet from the transmitting unit for proper signal transmission between the transmitting unit and the fan's receiving unit.

Step 3. Receiver to House Supply Wires Electrical Connections: Connect the WHITE wire (Neutral) from the outlet box to the WHITE wire marked "AC in N" from the receiver. Connect the BLACK wire (Hot) from the outlet box to the BLACK wire marked "AC in L" from the receiver. Secure all wire connections with the plastic wire nuts provided. (Fig. 19)

Step 4. If your outlet box has a GROUND wire (Green or Bare Copper) connect this wire to the Hanger Ball and Hanger Bracket Ground wires. If your outlet box does not have a Ground Wire, then connect the Hanger Ball and Hanger Bracket Ground Wires together. Secure wire connection with the plastic wire nut provided. (Fig. 19)

After all splices are made, check to make sure there are no loose strands. As an additional precaution we suggest to secure the plastic wire connectors to the wires with electrical tape.



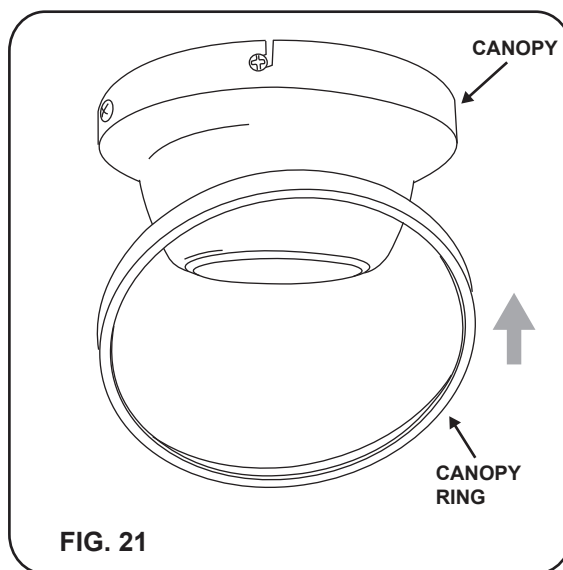
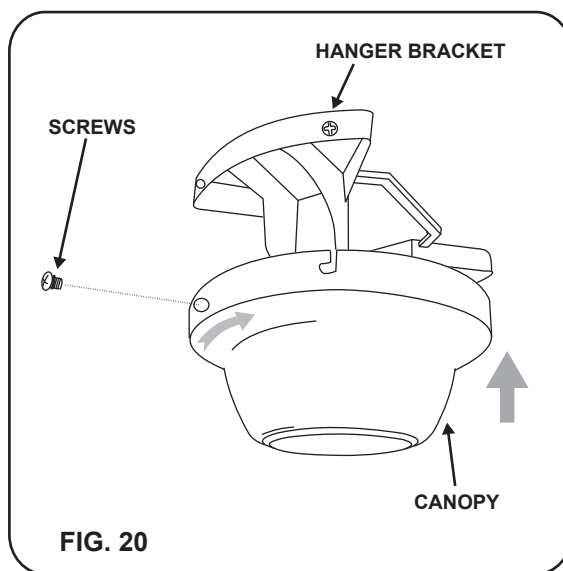
# FINISHING THE INSTALLATION

Step 1. Remove the two screws and loosen the two screws on the hanger bracket.

Step 2. Install the canopy to the hanger bracket by aligning the key holes in the fan housing with the two screws in the hanger bracket, then lifting the canopy up and turning clockwise. (Fig. 20)

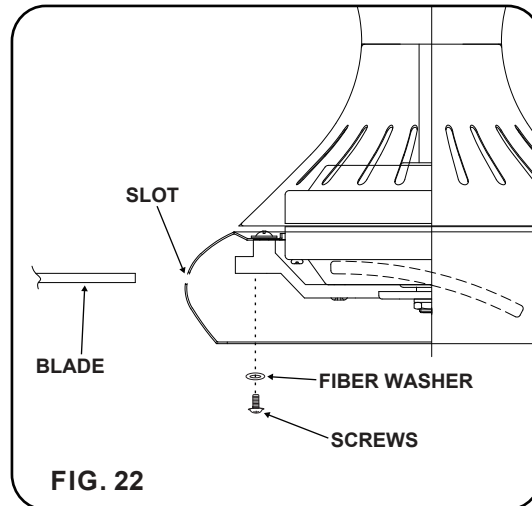
Step 3. Re-tighten the two screws and re-install the two screws. Tighten all screws securely.

Step 4. Place the canopy ring over the top of the canopy. (Fig. 21)



## ATTACHING THE FAN BLADES

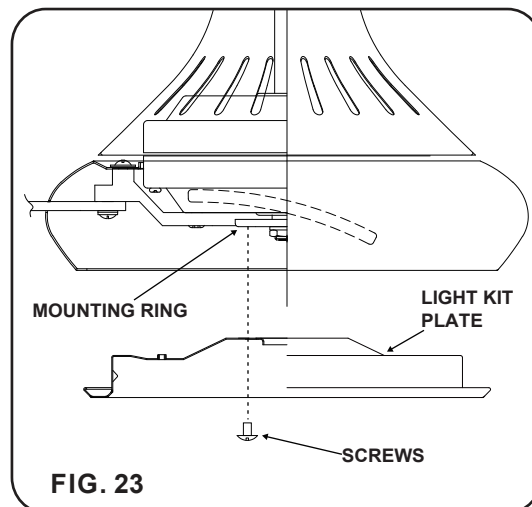
Insert one fan blade into the blade slot on the motor housing and secure with the fiber washers and screws. Securely tighten screws. Repeat process with other blades. (Fig. 22)



## INSTALLING THE LIGHT KIT PLATE

Step 1. Remove 1 of 3 screws from the mounting ring and loosen the other 2 screws. (Do not remove)

Step 2. Place the key holes from the light kit over the 2 screws previously loosened from the mounting ring, turn light kit until it locks in place at the narrow section of the key holes. Secure by tightening the 2 screws previously loosened and the one previously removed. (Fig. 23)



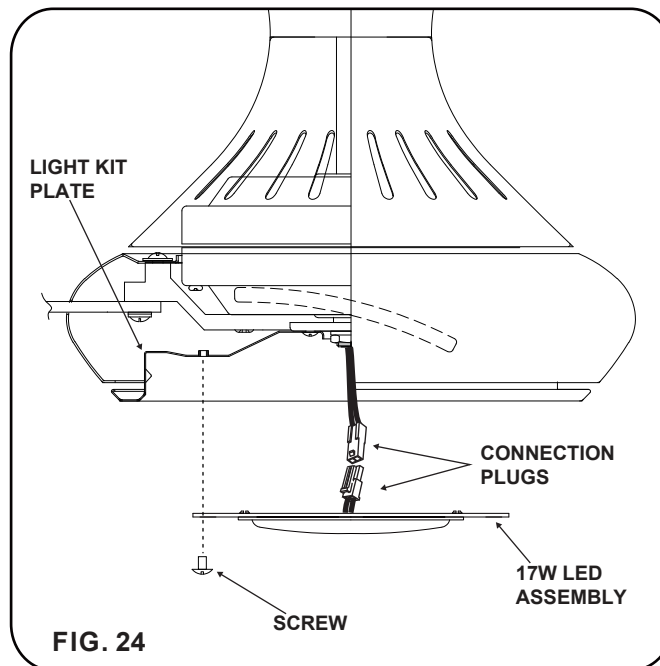
# INSTALLING THE 17W LED ASSEMBLY

**ATTENTION:** The Energy Policy Act of 2005 requires this fan to be equipped with a 190 watt limiting device. If lamping exceeds 190 watts, the ceiling fan's light kit will shut off automatically.

Step 1. Remove 1 of 3 screws from the light kit plate and loosen the other 2 screws. (do not remove)

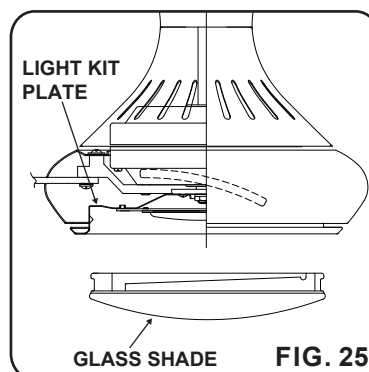
Step 2. While holding the 17W LED assembly under your fan, firmly snap the wire connection plugs together. (Fig. 14)

Step 3. Place the key holes from the 17W LED assembly over the 2 screws previously loosened from the light kit plate, turn 17W LED assembly until it locks in place at the narrow section of the key holes. Secure by tightening the 2 screws previously loosened and the one previously removed. (Fig. 24)



# INSTALLING THE GLASS SHADE

Raise the glass shade up against the light kit plate and secure the glass shade to the fan by turning the glass shade clockwise until snug. DO NOT OVER TIGHTEN. (Fig. 25)



# OPERATING THE REMOTE CONTROL

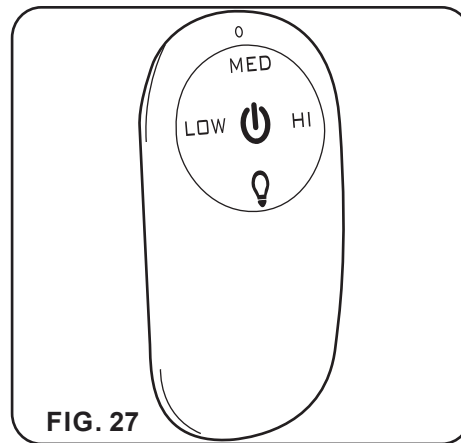
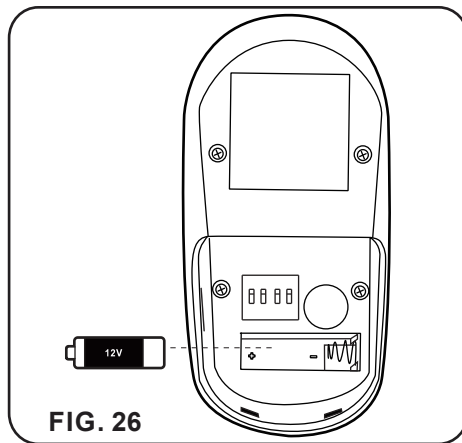
Remote Control only: Install a A23 12 volt battery (included). (Fig. 26) To prevent damage to transmitter remove the battery if not used for long periods of time.

Restore Power to Ceiling Fan.

HI, MED, LOW buttons: Sets the fan speed.

 button: Turns the fan off.

 button: Turns the light on or off and also controls the brightness setting. Press and release this button to turn the light on or off. Press and hold the button to set the desired brightness. The light button has an auto-resume, it will stay at the same brightness as the last time it was turned off.



Speed settings for warm or cold weather depend on factors such as room size, ceiling height and number of fans.

The Reverse switch is located on the fan motor assembly. Slide the switch to the Down for warm weather operation. Slide the switch to the Up for cool weather operation.

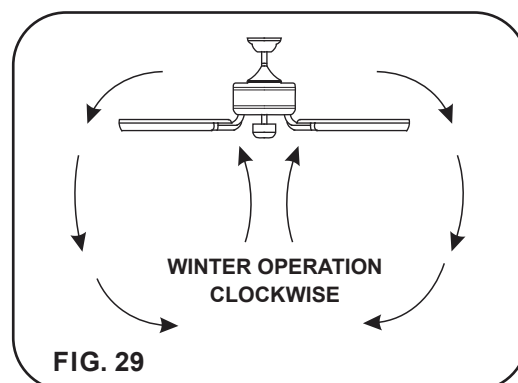
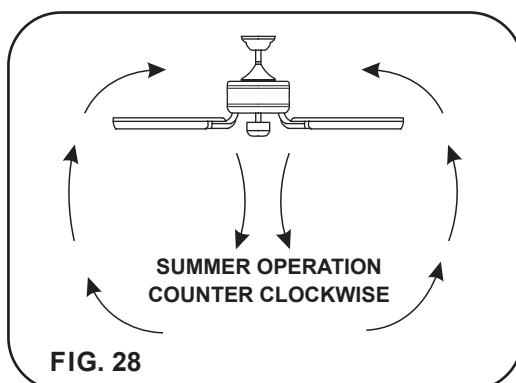
**NOTE:** Wait for fan to stop before changing the setting of the slide switch.

Warm Weather (forward)

A DOWNWARD airflow creates a cooling effect as shown in Figure 28. This allows you to set your air conditioner on a warmer setting without affecting your comfort.

Cool Weather (Reverse)

An UPWARD airflow moves warmer air off the ceiling area as shown in Figure 29. This allows you to set your heating unit on a cooler setting without affecting your comfort.



# CARE OF YOUR FAN

Here are some suggestions to help maintain your fan.

1. Because of the fan's natural movement some connections may become loose. Check the support connections, brackets and blade attachments twice a year. Make sure they are secure. (It is not necessary to remove fan from the ceiling).
2. Clean your fan periodically to help maintain its new appearance over the year. **CAUTION:** many common household cleaning products contain chemicals that could damage the finish of your fan. Use only a soft lint free cloth and soapy water.
3. If your fan is provided with wood veneer blades; you can apply a light coat of furniture polish for additional protection and enhanced beauty. Cover small scratches with a light application of shoe polish.
4. Use a lint free lightly damp cloth or duster to remove dust from the blades.
5. There is no need to oil your fan. The motor has permanently lubricated bearings.
6. If your fan is provided with glass shades, clean with lukewarm soapy water and a soft cloth or sponge. **DO NOT IMMERSE GLASS SHADES IN HOT WATER. DO NOT PUT GLASS SHADES INTO AN AUTOMATIC DISHWASHER.**

## **WARNING!**

**MAKE SURE THE POWER IS OFF AT THE ELECTRICAL PANEL BOX BEFORE YOU ATTEMPT ANY REPAIRS. REFER TO THE SECTION, "ELECTRICAL CONNECTIONS".**

# TROUBLESHOOTING

SYMPTOM	SOLUTION
Fan will not start	<ul style="list-style-type: none"><li>• Check to make sure the wall switch is turned on.</li><li>• Check circuit fuses or breakers.</li><li>• <b>Caution!</b> Make sure the power is turned off before performing the following steps.</li><li>• Remove canopy and check wire connections.</li><li>• Check wall control transmitter connections (if applicable).</li><li>• <b>Note:</b> Fan must be installed at a maximum distance of 40 feet from the transmitting unit for proper signal transmission between the transmitting unit and the fan's receiving unit.</li></ul>
Fan Sounds Noisy	<ul style="list-style-type: none"><li>• Allow a 24-hour "break in" period. Most noises associated with a new fan will go away during this time.</li><li>• Make sure the screws that attach the fan blade holder to the motor hub is tight.</li><li>• Make sure outlet box is secured to building structure, if necessary use the wood screws provided to further secure outlet box to joist.</li><li>• Make sure hanger bracket is secure to the outlet box, screws are tight.</li></ul>
Fan Wobble	<ul style="list-style-type: none"><li>• <b>NOTE:</b> All blade sets are grouped by weight. Because wood and plastic blades vary in density, the fan may wobble even though blades are matched.</li><li>• Make sure outlet box is secured to building structure, if necessary use the wood screws provided to further secure outlet box to joist.</li><li>• Make sure hanger bracket is secure to the outlet box, screws are tight.</li><li>• If a Balancing kit is provided follow the instructions included with the balancing kit to help correct any excessive wobble.</li></ul>
Lights shut off and will not come back on	<ul style="list-style-type: none"><li>• This unit is equipped with a wattage limiting device. Lamping in excess of 190 watts will disable your ceiling fan's light kit. To reset your light kit you must turn the power off and re lamp, keeping the wattage under 190 watts. Restore power to your ceiling fan and continue normal operation.</li></ul>
Fans/Light Turn On and Off Unexpectedly	<ul style="list-style-type: none"><li>• This is caused by interference, Please see "Frequency interference" for steps to change the frequency.</li></ul>



# SPECIFICATIONS

Fan Size	Speed	Volts	Amps	Watts	RPM	CFM	N.W.	G.W.	C.F.
56"	Low	120	0.28	14.0	70	2138	9.24	11.00	2.369'
	Medium	120	0.45	35.5	121	3935	kgs	kgs	
	High	120	0.66	77.5	181	6086			

These are typical readings. Your actual fan may vary. They do not include amps and wattage used by the light(s).

*For any additional information about your Minka Aire® Ceiling fan, please write to:*



1151 W. Bradford Court, Corona, CA 92882 • For Customer Assistance Call: 1-800-307-3267