

## Microwaves

FFMV1745T S/W/B

30" Over-The-Range



### Product Dimensions

|        |           |
|--------|-----------|
| Height | 16-13/32" |
| Width  | 29-7/8"   |
| Depth  | 15-1/32"  |

### More Easy-To-Use Features

#### Multi-Stage Cooking Option

Our Multi-Stage Cooking option allows you to program power levels and cooking times in advance, customizing your microwave to your cooking needs.

#### Two Speed Ventilation

Over-the-range microwave doubles as a hood, offering ventilation with two fan speeds.

#### Zero-Clearance Door

The microwave door is guaranteed to open up to a 90° angle without touching any adjacent walls, helping you adapt to any compact spaces in your kitchen.

#### Extra-Large 13-1/2" Diameter Glass Turntable

Big bowls and large casserole dishes are no problem for our extra-large glass turntable. It rotates for even cooking.

#### Electronic Clock / Timer

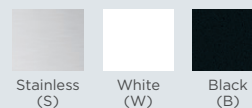
Helps you keep track of cook times.

#### Auto-Reheat Options

#### Control Lock

#### Charcoal Vent Filters

Available in:



## Signature Features

### Cooktop LED Lighting

Make meal preparation and cooking simple with LED lighting that offers a clear, bright view of your cooktop.

### Interior LED Lighting

LED interior microwave light stays on while your dish cooks.

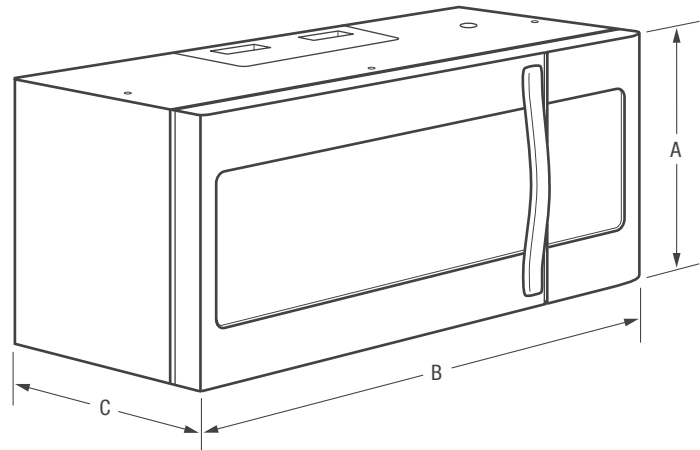
### One-Touch Options

Our microwaves feature easy-to-use one-touch buttons so you can cook baked potatoes, popcorn or even add 30 seconds with the touch of a button.

### Fits-More™ Capacity

Extra-Large microwave provides 1.7 cu. ft. of cooking space and will hold almost any dish — even a 13" x 9" baking dish.

|   |   |
|---|---|
| <b>Features</b>                                     |   |
| Control/Timing System                               | Ready-Select*                                   |
| Exterior Door Finish                                | Stainless Steel (S),<br>Color-Coordinated (W/B) |
| Handle Design                                       | Stainless Steel (S)<br>Color-Coordinated (W/B)  |
| Microwave Capacity (Cu.Ft.)                         | 1.7   |
| Convection  |   |
| Watts (IEC-705 Test Procedure)                      | 1,000   |
| Interior Light                                      | LED   |
| Interior Color                                      | White   |
| Turntable Diameter                                  | 13-1/2"   |
| Turntable On/Off                                    |   |
| Control Lock  | Yes   |
| Clock   | Yes   |
| Touch Pad Buttons                                   | 24  |
| Power Levels  | 10  |
| Sound Level Options                                 | 4   |
| Accessory Metal Rack                                |   |
| <b>Microwave Control Options</b>                    |   |
| Popcorn Button                                      | Yes   |
| Baked Potato Button                                 | Yes   |
| Sensor Reheat Button                                | Yes   |
| Snack Button  |   |
| Beverage  | Yes   |
| Auto Melt & Soften Options                          | Yes   |
| Auto Reheat Options                                 | Yes   |
| Snack Menu Options                                  |   |
| Auto Cook Options                                   |   |
| Auto Defrost Options                                | Weight/Time                                     |
| Multi-Stage Cooking Option                          | Yes   |
| Keep Warm   |   |
| Add-30-Seconds                                      | Yes   |
| Sensor Cooking Options                              |   |
| Vegetable Cook Sensor                               | Yes   |
| Quick Start   | Yes (1-6)                                       |
| Delay Start   |   |
| User Preferences                                    |   |
| Power Save (No Clock Display)                       | Yes   |
| <b>Ventilation System</b>                           |   |
| Ducted/Ductless Installation Option                 | Yes   |
| Exhaust Fan (CFM)                                   | 2-Speed 105/300                                 |
| Cooktop Light                                       | LED   |
| Auto-Start Heat Sensor                              | Yes   |
| Dishwasher-Safe Vent Filter (Ductless Installation) | Yes   |
| <b>Power Ratings</b>                                |   |
| Frequency (MHz)                                     | 2,450   |
| Watts @ 120 Volts                                   | 1,000   |
| Amps @ 120 Volts                                    | 13  |
| <b>Optional Accessories</b>                         |   |
| 36" Stainless Steel Filler Panel Kit                | PN# MWFILKTSS                                   |
| 36" White Filler Panel Kit                          | PN# MWFILKTWH                                   |
| 36" Black Filler Panel Kit                          | PN# MWFILKTBK                                   |
| Charcoal Filter                                     | PN# 5304464577                                  |
| 15" Bump Out Kit                                    | PN# 5304508807                                  |
| <b>Specifications</b>                               |   |
| Oven Interior (HxWxD)                               | 9-1/4" x 20-1/4" x 14-13/32"                    |
| Power Supply Connection Location                    | Right Top Rear                                  |
| Voltage Rating                                      | 120V / 60Hz / 15A                               |
| Connected Load (kW Rating) @ 120 Volts <sup>1</sup> | 1.6   |
| Minimum Circuit Required (Amps)                     | 15  |
| Shipping Weight (Approx.)                           | 59 Lbs.   |



*NOTE: For planning purposes only. Always consult local and national electric codes. Refer to Product Installation Guide for detailed installation instructions on the web at frigidaire.com.*



| Product Dimensions |           |
|--------------------|-----------|
| A - Height         | 16-13/32" |
| B - Width          | 29-7/8"   |
| C - Depth          | 15-1/32"  |

| Cutout Dimensions                       |     |
|---|-----|
| Height (Min. from floor to top of unit) | 66" |
| Width (Min.)                            | 30" |
| Depth (Min.)                            | 12" |
| Depth (Max.)                            | 13" |

<sup>1</sup>For use on adequately wired 120V, dedicated circuit having 2-wire service with a separate ground wire. Appliance must be grounded for safe operation.

Accessories information available on the web at [frigidaire.com](http://frigidaire.com)

**FRIGIDAIRE**

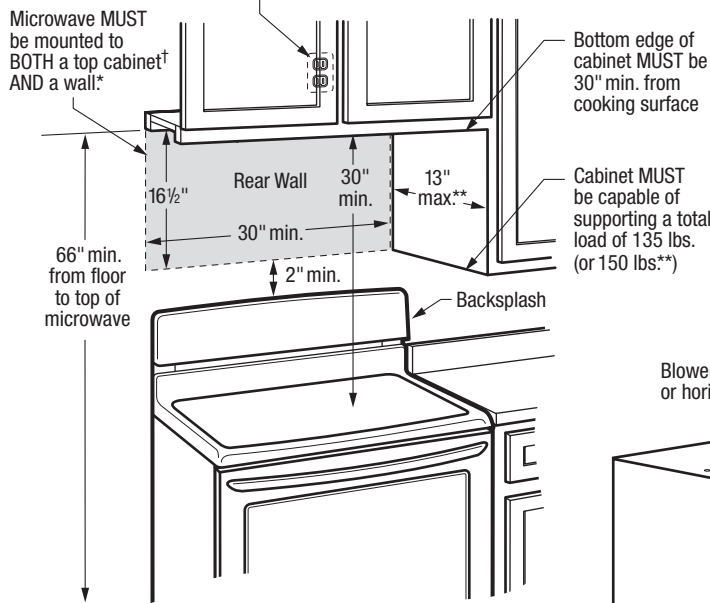
USA • 10200 David Taylor Drive • Charlotte, NC 28262 • 1-800-FRIGIDAIRE • [frigidaire.com](http://frigidaire.com)  
 CANADA • 5855 Terry Fox Way • Mississauga, ON L5V 3E4 • 1-800-265-8352 • [frigidaire.ca](http://frigidaire.ca)

FFMV1745T 03/17

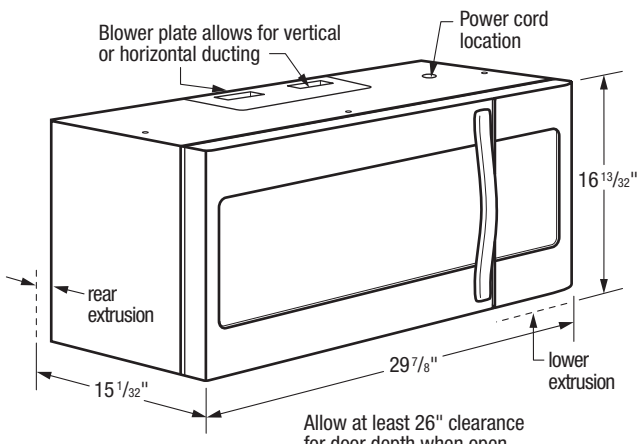
© 2017 Electrolux Home Products, Inc.

Specifications subject to change.

Locate 120V/60Hz grounded outlet inside upper cabinet



†When installing beneath smooth, flat cabinets, refer to cabinet template for detailed power cord clearance instructions  
 \*Can NOT be installed in island or peninsula cabinet arrangements  
 \*\*If cabinet depth (including doors) is deeper than 13", unit MUST be spaced out from rear wall using adequate materials (supporting 150 lbs.) to allow proper top vent air exhaust/intake



**Microwave Specifications**

- Product Shipping Weight (approx.) - 59 Lbs.
- Voltage Rating - 120V / 60 Hz / 15 Amps
- Connected Load (kW Rating) @ 120 Volts = 1.6 kW (For use on adequately wired 120V, dedicated circuit having 2-wire service with a separate ground wire. Appliance must be grounded for safe operation.)
- Amps @ 120 Volts = 13 Amps
- Always consult local and national electric codes.
- Grounded outlet should be located in cabinet above, with hole in base to route power cord. Carefully follow top template instructions for power cord clearance when installing beneath smooth, flat cabinets.
- Microwave's exhaust ventilation system is preset to recirculate air inside with no ducting system required. Exhausting air outside is optional, using either vertical or horizontal ducting system. (Refer to Ducted Option Specifications for outside ventilation.)
- For safe and proper installation, microwave MUST be mounted to BOTH a top cabinet AND a wall, and connected to at least one wall stud. Can NOT be installed in island or peninsula cabinet arrangements.
- Cabinet bottom MUST be level to insure proper installation.
- Cabinet MUST be capable of supporting a total load of 135 lbs.
- When installing beneath smooth, flat cabinets, refer to cabinet template for detailed power cord clearance instructions.
- If cabinet depth (including doors) is deeper than 13", unit MUST be spaced out from rear wall using adequate materials (supporting 150 lbs.) to allow proper top vent air exhaust/intake.
- Filler blocks recommended for installation when cabinet front hangs below recessed bottom shelf.
- Minimum distance of 30" required from cooking surface to bottom edge of top cabinet.
- Minimum distance of 66" required from floor to top of microwave.

- Opening between cabinets MUST be 30" wide and free of obstructions. For openings up to 36" wide, order optional 36" Filler Panel Kit to fill in gap between unit and cabinets.
- Allow 26" minimum clearance for 90° door swing.

**Ducted Option Specifications**

- For outside ventilation.
- Exhaust duct adapter will be needed for outside ventilation, to mate with standard 3-1/4"x10" rectangular duct. If round duct required, rectangular-to-round transition adapter will be needed with no less than 6" diameter.
- For most efficient airflow exhaust, use a straight run or as few elbows as possible with a maximum duct length of 3-1/4"x10" rectangular or 6" diameter round duct, not to exceed 120 equivalent feet.
- For horizontal installation, be sure to allow enough space between wall studs to accommodate exhaust.
- Refer to installation instructions on web for detailed duct preparation and converting exhaust vent blower system for exterior exhaust ventilation.

**Note:** For planning purposes only. Refer to Product Installation Guide on the web at [frigidaire.com](http://frigidaire.com) for detailed instructions.

**Optional Accessories**

- 36" Stainless Steel Filler Panel Kit - (PN# MWFILKTSS).
- 36" White Filler Panel Kit - (PN# MWFILKTWH).
- 36" Black Filler Panel Kit - (PN# MWFILKTBK).
- 15" Bump-Out Kit - (PN# 5304508807).
- Charcoal Filter - (PN# 5304464577).

