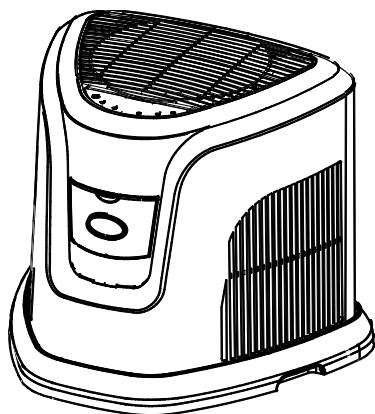


AIRCARE®

TRIANGLE CONSOLE EVAPORATIVE HUMIDIFIER

EA12 SERIES USE AND CARE GUIDE

- ▶ Adjustable Humidistat
- ▶ Variable Speed Fan
- ▶ Easy Pour-in Fill



EA1201; EA1208

Français	11
Español	21



TO ORDER PARTS AND ACCESSORIES CALL 1.800.547.3888

COMFORT IS IN THE AIR

IMPORTANT SAFEGUARDS

General Safety Instructions

READ BEFORE USING YOUR HUMIDIFIER

DANGER: means if the safety information is not followed someone will be seriously injured or killed.

WARNING: means if the safety information is not followed someone could be seriously injured or killed.

CAUTION: means if the safety information is not followed someone may be injured.

1. To reduce the risk of fire or shock hazard, this humidifier has a polarized plug (one blade is wider than the other.) Plug humidifier directly into a 120V, A.C. electrical outlet. Do not use extension cords. If the plug does not fully fit into the outlet, reverse plug. If it still does not fit, contact a qualified electrician to install the proper outlet. Do not change the plug in any way.
2. Keep the electric cord out of traffic areas. To reduce the risk of fire hazard, never put the electric cord under rugs, near heat registers, radiators, stoves or heaters.
3. Always unplug the unit before moving, cleaning or removing the fan assembly section from the humidifier, or whenever it is not in service.
4. Keep the humidifier clean.
5. Do not put foreign objects inside the humidifier.
6. Do not allow unit to be used as a toy. Close attention is necessary when used by or near children.
7. To reduce the risk of electrical hazard or damage to humidifier, do not tilt, jolt or tip humidifier while unit is running.
8. To reduce the risk of accidental electrical shock, do not touch the cord or controls with wet hands.
9. To reduce the risk of fire, do not use near an open flame such as a candle or other flame source.

WARNING: For your own safety, do not use humidifier if any parts are damaged or missing.

WARNING: To reduce risk of fire, electric shock, or injury always unplug before servicing or cleaning.

WARNING: To reduce the risk of fire or shock hazard, do not pour or spill water into control or motor area. If controls get wet, let them dry completely and have unit checked by authorized service personnel before plugging in.

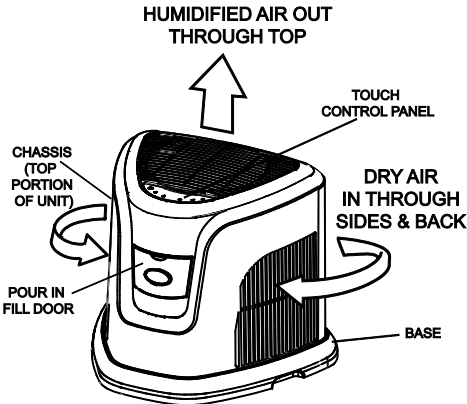
INTRODUCTION

Your new humidifier adds invisible moisture to your home by moving dry air through a saturated wick. As air moves through the wick, the water evaporates into the air, leaving behind any white dust, minerals, or dissolved and suspended solids in the wick. Because the water is evaporated, there is no messy mist or spray, just clean and invisible moist air.

As the evaporative wick traps accumulated minerals from the water, its ability to absorb and evaporate water decreases. We recommend changing the wick at the beginning of every season. In hard water areas, more frequent replacement may be necessary to maintain your humidifier's efficiency.

Use only AIRCARE® or Essick Air® brand replacement wicks and chemicals. To order parts, wicks and chemicals call 1-800-547-3888. The EA12 series humidifier uses 3 Wicks (part number HDC311). Only the AIRCARE® or Essick Air®/MoistAIR® evaporative wick guarantees the certified output of your humidifier. Use of other brands of wicks voids the certification of output and may void your warranty.

HOW YOUR HUMIDIFIER WORKS



Dry air is drawn into the unit through the sides where the air is pulled through the saturated wicks and becomes moisturized before it is fan forced out the top of the unit into the room.

FEATURES	
Output per 24 hrs	12 gallons
Water capacity	3.5 gallons
Sq. ft. coverage*	2500 (avg. construction)
	3000+ (tight construction)
Fan Speeds	Variable (9)
Replacement wick filter (set of 3)	HDC311
Adjustable humidistat	Yes
Auto shutoff	Yes
Refill indication	Yes
Control type	Digital Touchscreen
Casters	Yes (4)
ETL Listed	Yes
Volts	120
Hertz	60
Watts	80

* Based on an area with average insulation and an 8' ceiling height ANSI/AHAM HU-1-1997. SEC. 8.1. Results may vary.

NOTES ON LOCATION:

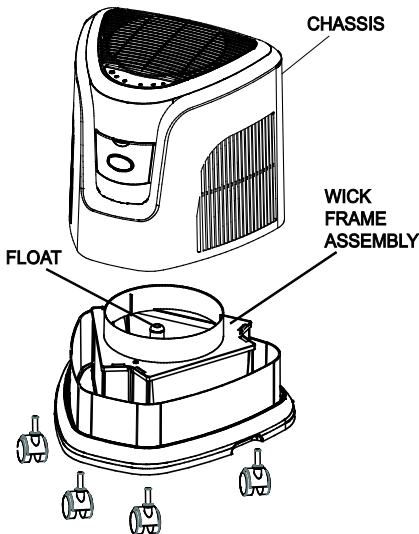
In order to get the most effective use from your humidifier, it is important to position the unit where the most humidity is needed or where the moist air will be circulated throughout the house such as near a cold air return. If the unit is positioned close to a window, condensation may form on the window pane. If this occurs the unit should be repositioned in another location.

Do NOT position the unit directly in front of a hot air duct or radiator. Do NOT place on soft carpet.

Due to the release of cool, moist air from the humidifier, it is best to direct air away from thermostat and hot air registers. Position humidifier next to an inside wall on a level surface at least 4 inches away from the wall or curtains.

ASSEMBLY

1. Open the carton and lift out the humidifier.
2. Lift the humidifier chassis (top part) off the base to locate the accessory kit inside, including:
 - ◆ Caster kit
 - ◆ Bacterial treatment sample
 - ◆ Evaporative Wicks (One set of 3)
 - ◆ Manual



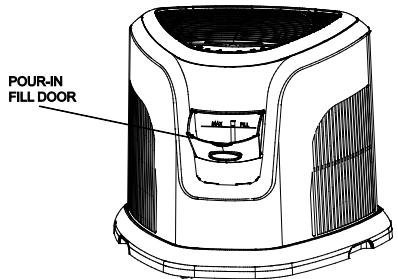
CASTERS

3. Remove wick frame and float assembly from base.
4. Turn the base upside down. Insert each caster stem into a caster hole on each corner of the humidifier bottom. The casters should fit snugly and be inserted until the stem shoulder reaches the cabinet surface.
5. Turn the base right side up.
6. Replace wick frame assembly and float back in place.

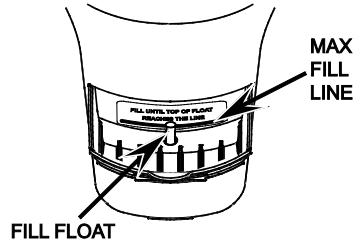
WATER FILL

CAUTION: Before filling, ensure unit is turned OFF. Keep grille dry at all times.

WARNING: To reduce the risk of fire or shock hazard, DO NOT pour or spill water into control or motor area. If controls get wet, let them dry completely and have unit checked by authorized service personnel before plugging in.



Your humidifier is equipped with a convenient front pour-in door. Use a pitcher to fill the unit through the pour-in door. When the door is opened an LED light illuminates the MAX FILL line inside. Fill the unit until the small white float reaches the MAX FILL line. The reservoir holds 3.5 gallons. **Do Not Overfill.**



NOTE: Fill unit with cool, fresh (preferably unsoftened) water. If you only have softened water available in your home, you can use it, but mineral buildup will occur more quickly.

NOTE: On initial fill up, it may take approximately 20 minutes for the wicks to become fully saturated.

CAUTION: Use only EPA Registered Bacteriostat. **Under no circumstances should you use Water Treatment products intended for Rotobelt or Ultrasonic humidifiers.**

NOTE: We recommend using AIRCARE® or Essick Air® Bacteriostat Treatment P/N 1970 when you refill the water reservoir to eliminate bacterial growth. Add bacteriostat according to the instructions on the bottle.

ABOUT HUMIDITY

Where you set your desired humidity levels depends on your personal comfort level, the outside temperature and the inside temperature.

NOTE: Recent CDC tests show that the chances of flu transmission are greatly reduced at levels of 43% humidity.

You may wish to purchase a hygrometer* to measure the humidity level in your home. The following is a chart of recommended humidity settings.

IMPORTANT: Water damage may result if condensation starts to form on windows or walls. Humidity SET point should be lowered until condensation no longer forms. We recommend room humidity levels do not exceed 50%.

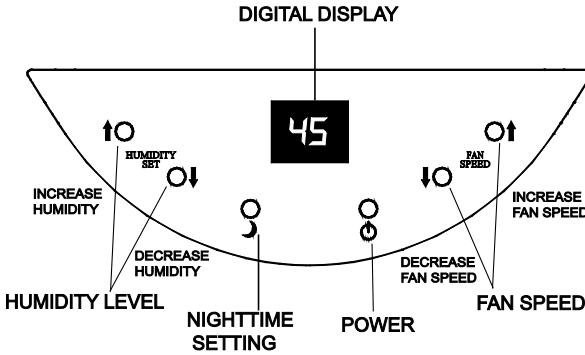
*When Outdoor Temperature is:		Recommended Indoor Relative Humidity (RH) is
°F	°C	
-20	-30°	15 - 20%
-10°	-24°	20 - 25%
2°	-18°	25 - 30%
10°	-12°	30 - 35%
20°	-6°	35 - 40%
30°	-1°	40 - 45%

*or higher

*Model 1990 digital hygrometer is available for purchase by calling 1-800-547-3888.

NOTE: External hygrometer readings and humidistat readings may differ. Humidity levels can vary significantly even in one room.

CONTROLS AND OPERATION



1. Plug cord into wall receptacle. Your humidifier is now ready for use. The humidifier should not be near any heat registers.
2. Place the unit at least FOUR inches away from any walls. Unrestricted airflow into the unit will result in the best efficiency and performance.

3. The digital touch screen panel allows you to control the fan speed and humidity level by simply tapping the appropriate up or down arrow switch on the front of the panel.
4. A digital display provides information on the status of the unit. Depending on which function is being accessed, it displays ambient and set humidity, fan speed and status of the unit.

FAN SPEED

5. Tap the up arrow or down arrow on the FAN SPEED section to adjust the fan. The display will show F1 through F9 proceeding from low to high speed.



NOTE: When excessive condensation exists, a lower speed setting is recommended.

HUMIDITY CONTROL

NOTE: The EA12 series has an adjustable humidistat that cycles the humidifier on and off as required to maintain the selected setting.

6. At initial startup the ambient humidity of the room will be displayed.
7. Tap the up or down arrow in the HUMIDITY SET section of the panel to adjust the humidity level in 5% increments. At 65% set point, the unit will operate continuously.

OTHER INDICATIONS

8. When the unit runs out of water the control will display a flashing "F". When the unit is completely out of water, the motor will shut off.
9. This humidifier has a check filter reminder timed to appear after 720 hours of operation. When the Check Filter (CF) message is displayed, disconnect the power cord and check the condition of the filter. The CF function is reset after plugging the unit back in.



CONTROL LOCK OUT

To avoid unwanted tampering with the humidifier settings the controls can be locked.

Activation Procedure

10. After the humidifier functions have been set up, press and hold the power button down for 5 seconds. The display will show "CL" for 5 seconds; release the power button and the control will resume the display of the room humidity.



The humidifier will continue to function with the locked in settings. If buttons are operated while "CL" is active, the "CL" is displayed and settings are unaffected.

Deactivation Procedure

11. To deactivate the “CL” function simply press and hold the power button for 5 seconds. “CL” will flash and then resume the display of room humidity.

NIGHTTIME SETTING

As a convenience, a nighttime setting switch (Crescent moon) extinguishes all lights on the control panel but leaves all settings in their current state. Touch any of the switches to reset the panel to the normal lighting.

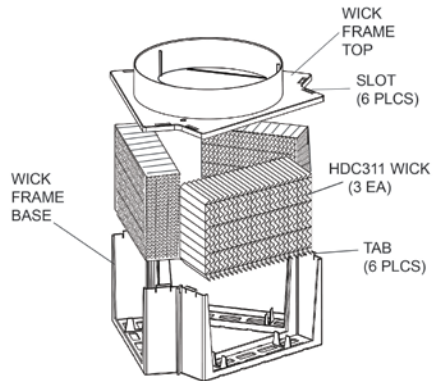
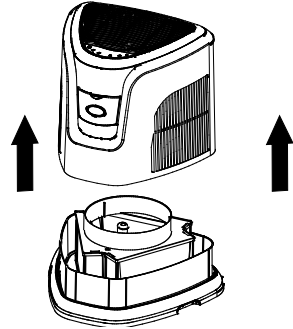
REPLACEMENT OF WICK FILTER

CAUTION: Before changing wick filter, ensure unit is turned OFF.

CAUTION: To help prevent bacteria growth and keep maximum efficiency, the wick filters should be replaced at least once per season, or more often under hard water conditions. Use AIRCARE®/Essick®/MoistAIR® HDC311 replacement wick filter.

Replace the evaporative wick filter at least once per humidification season or more depending on water conditions in your area.

1. Unplug humidifier. Before removing the wick filter, we recommend moving the humidifier to an area where floor coverings are not susceptible to water damage (i.e. kitchen or bath areas.)
2. Lift off chassis to reveal wick frame assembly.
3. One set of three (3) HDC311 wick filters (provided) fit into the wick frame.
4. To replace wicks separate the wick frame top from the wick frame base and slide wicks into each of the three sections. Secure wick frame top to the base by positioning the slots on the top onto the tabs on the base.
5. Ensure the float is in position, place the chassis onto the base and the unit is ready for filling.



CARE AND MAINTENANCE

CAUTION: Disconnect power before filling, cleaning or servicing unit. Keep grille dry at all times.

Cleaning your humidifier regularly helps eliminate odors and bacterial / fungal growth. Ordinary household bleach is a good disinfectant and can be used to wipe out the humidifier base / reservoir after cleaning. We recommend cleaning your humidifier at least once every two weeks to maintain optimum environmental conditions for your home.

We also recommend using AIRCARE®/ Essick Air® Bacteriostat Treatment each time you refill your humidifier to eliminate bacterial growth. Add bacteriostat according to the instructions on the bottle. Please call 1-800-547-3888 to order Bacteriostat Treatment reference part number 1970.

1. Turn off unit completely and unplug from outlet.
2. Lift off the chassis.
3. Carry base to cleaning basin. Lift wick fame assembly from the base allowing the water to drain out. Rinse wick filters under fresh water only. Do not use soap, detergent, or any other cleaners on the wick. Leave in sink to drain.

REMOVING SCALE

4. Empty the water from the reservoir. Fill reservoir ½ full with fresh water and add 8 oz.(1 cup) of white vinegar. Let stand 20 minutes. Then empty solution.
5. Dampen a soft cloth with white vinegar and wipe out reservoir to remove scale. Rinse the reservoir thoroughly with fresh water to remove scale and cleaning solution before disinfecting.

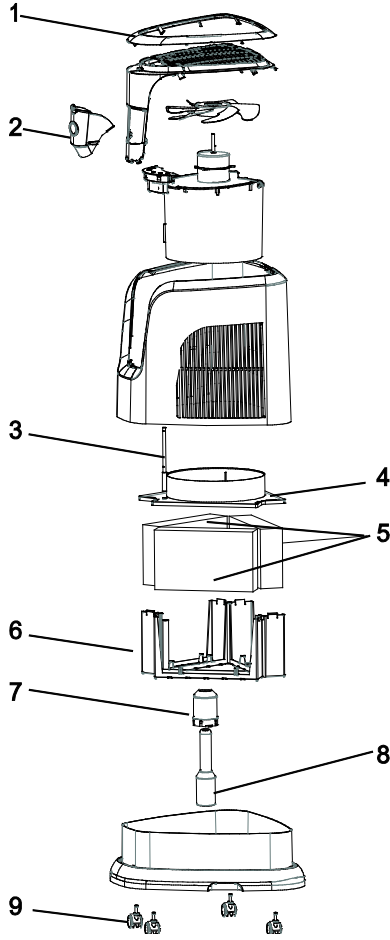
DISINFECTING UNIT

6. Fill reservoir ½ full with water and add 1 teaspoon of bleach to each. Wipe cabinet and reservoir surfaces with this solution. Let solution stay for 20 minutes, then rinse with water until bleach smell is gone. Dry with clean cloth.
7. Refill unit and re-assemble per ASSEMBLY instructions.

SUMMER STORAGE

1. Clean unit as outlined in Care & Maintenance section.
2. Discard used wick and any water in the reservoir and allow to dry thoroughly before storage. Do not store with water inside reservoir.
3. Do not store unit in an attic or other high-temperature area, as damage will occur.
4. Install new wick filter at beginning of season.

Parts List for EA12 Series



Replacement Parts Available for Purchase			
Item no.	Description	EA1201	EA1208
1	Trim Ring	1B72447	1B72708
2	Fill Door		1B72450
3	Fill Float		1B72487
4	Wick Frame Top		1B72444
5	Wick filter (set of 3)		HDC311
6	Wick Frame Bottom		1B72445
7	Float Retainer		S98830496C002
8	Float		F34829816
9	Casters (4)		1B5460070
10	Manual (not shown)		1B72484

HUMIDIFIER WARRANTY POLICY – EFFECTIVE JANUARY 1, 2014:

SALES RECEIPT REQUIRED AS PROOF OF PURCHASE FOR ALL WARRANTY CLAIMS.

This product is warranted against defects in workmanship and materials from date of sale on factory installed components as listed below:

2 years - on control, motor and cabinet.

1 year - factory installed parts/components such as bottles & bottle caps.

Thirty (30) days on wicks and filters.

This warranty applies only to the original purchaser of the product when it is purchased from a reputable retailer/dealer.

This warranty does not apply to damage from accident, misuse, alterations, unauthorized repairs, unauthorized use, mishandling, unreasonable use, abuse, including failure to perform reasonable maintenance, normal wear and tear, nor where the connected voltage is more than 5% above the nameplate voltage, nor to the equipment or products being improperly installed or wired or maintained in violation of this Owner's Manual.

Alterations include the substitution of name brand components including, but not limited to wicks and bacteria treatment.

THIS PRODUCT IS NOT INTENDED FOR COMMERCIAL USE. THIS IS THE SOLE AND EXCLUSIVE WARRANTY GIVEN BY MANUFACTURER WITH RESPECT TO THE PRODUCTS AND, TO THE MAXIMUM EXTENT PERMITTED BY LAW, IS IN LIEU OF AND EXCLUDES ALL OTHER WARRANTIES AND CONDITIONS, EXPRESS OR IMPLIED, ARISING BY OPERATION OF LAW OR OTHERWISE. INCLUDING, WITHOUT LIMITATION, MERCHANTABILITY AND/OR FITNESS FOR A PARTICULAR PURPOSE.

No employee, agent, dealer or other person is authorized to give any warranties or conditions on behalf of the manufacturer. The customer shall be responsible for all labor costs incurred.

Within the limitations of this warranty, purchaser with inoperative units should contact customer service @ 800-547-3888 for instructions on how to obtain replacement parts within warranty as listed above. A copy of the sales receipt is required before warranty on any part is considered valid. The manufacturer will replace the defective part/product, at its discretion, with return freight paid by the manufacturer. It is agreed that such replacement is the exclusive remedy available from the manufacturer and that TO THE MAXIMUM EXTENT PERMITTED BY LAW, THE MANUFACTURER IS NOT RESPONSIBLE FOR DAMAGES OF ANY KIND, INCLUDING INCIDENTAL AND CONSEQUENTIAL DAMAGE OR LOSS OF PROFITS OR REVENUES.

This warranty will be null & void if purchaser attempts to repair or replace any parts which are mechanical or electrical.

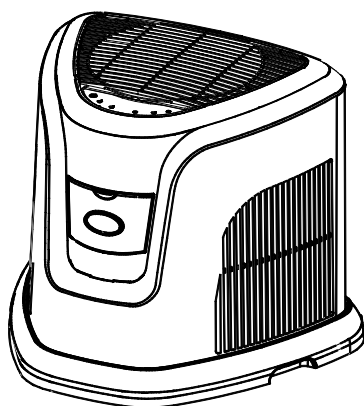
The warranty gives the customer specific legal rights, and the customer may also have other rights which vary from province to province, or state to state.

AIRCARE®

CONSOLE DU TRIANGLE HUMIDIFICATEUR À ÉVAPORATION

SÉRIE EA12 MANUEL D'UTILISATION ET D'ENTRETIEN

- ▶ Humidostat réglable
- ▶ Ventilateur à variable vitesses
- ▶ Remplissage aisé du réservoir



EA1201; EA1208

Anglais 1
Español 21



POUR COMMANDER DES PIÈCES ET DES ACCESSOIRES
APPELEZ LE 1.800.547.3888

LE CONFORT EST DANS L'AIR

INSTRUCTIONS GÉNÉRALES DE SÉCURITÉ

À LIRE AVANT D'UTILISER VOTRE HUMIDIFICATEUR

DANGER: Signifie que si les informations de sécurité ne sont pas suivies, des blessures graves ou fatales s'ensuivront.

AVERTISSEMENT: Signifie que si les informations de sécurité ne sont pas suivies, des blessures graves ou fatales pourraient survenir.

ATTENTION: Signifie que si les informations de sécurité ne sont pas suivies, des blessures pourraient survenir.

1. Afin de réduire le risque d'électrocution, cet humidificateur a une prise à deux têtes (l'une des fiches est plus large que l'autre). Brancher directement l'humidificateur dans une prise de courant alternatif 120 V. Ne pas utiliser de rallonges électriques. Si la prise ne rentre pas, la brancher en sens inverse. Si cela ne rentre toujours pas, contacter un électricien pour installer la prise murale adéquate. Ne pas modifier la prise.
2. Éloignez le cordon électrique d'une zone de passage. Pour diminuer le risque d'incendie, ne mettez jamais le cordon électrique sous un tapis, à proximité d'une bouche d'air, d'un radiateur, d'un four ou d'un appareil de chauffage.
3. Toujours débrancher l'humidificateur avant de le déplacer. Enlever le système de ventilation avant de nettoyer ou de faire réparer l'humidificateur.
4. L'humidificateur doit toujours rester propre.
5. N'introduisez pas de corps étrangers dans l'humidificateur.
6. Cet appareil n'est pas un jouet. Une surveillance est nécessaire si cet appareil est utilisé par ou près d'un enfant.
7. Pour réduire le risque d'électrocution ou d'endommagement de l'humidificateur, ne l'inclinez pas, ne le secouez pas et ne le faites pas basculer tant qu'il est en marche.
8. Pour réduire le risque de choc électrique accidentel, ne touchez pas le cordon ou les commandes avec les mains mouillées.
9. Pour réduire le risque d'incendie, ne l'utilisez pas près d'une flamme, comme une bougie ou autre source de flamme.

AVERTISSEMENT: Pour votre propre sécurité, n'utilisez pas l'humidificateur si des pièces sont endommagées ou manquantes.

AVERTISSEMENT : Pour réduire les risques d'incendie, de choc électrique ou de blessure, débranchez toujours avant de réparer ou de nettoyer.

AVERTISSEMENT: Pour réduire le risque d'incendie ou de choc électrique, ne versez pas et ne renversez pas d'eau dans le secteur de commande ou moteur. Si les commandes sont mouillées, laissez-les sécher complètement et faites vérifier l'unité par le personnel de service autorisé avant de brancher.

INTRODUCTION

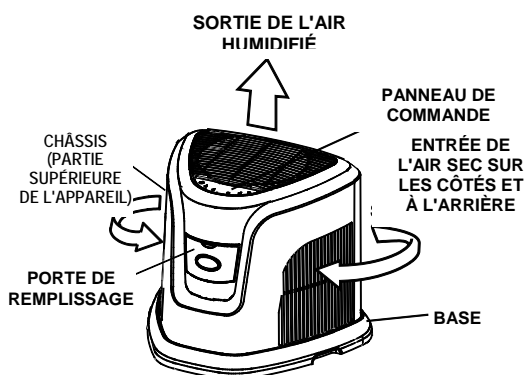
Votre humidificateur par évaporation Essick Air ajoute une humidité invisible dans la maison en faisant passer de l'air sec à travers un filtre à mèche saturé. Au fur et à mesure que l'air passe au travers du filtre à mèche, l'eau s'évapore dans l'air en laissant derrière elle toutes poussières blanches, minéraux et solides dissous ou en suspension en mèches. Puisque l'eau est évaporée, il n'y a ni brume ni brouillard irritants, mais rien que de l'air humidifié, propre et invisible.

Au fur et à mesure que le filtre à mèche d'évaporation emprisonne et accumule les minéraux contenus dans l'eau, sa capacité d'absorption et d'évaporation d'eau diminue. Nous recommandons de changer le filtre à mèche au début de chaque saison. Dans les régions où l'eau est dure, un remplacement plus fréquent peut être nécessaire afin de maintenir l'efficacité de votre humidificateur.

N'utilisez que les produits chimiques et les filtres à mèche de marque Essick Air en remplacement. Pour commander des pièces, filtres à mèche et produits chimiques, composez le 1-800-547-3888. L'humidificateur EA12 SERIES utilise 3 filtres à mèche, sous la référence HDC311. Seuls les filtres à mèche d'évaporation de marque Essick Air garantissent le meilleur rendement de votre humidificateur. L'utilisation de filtres à mèche autres que la marque Essick Air annule la garantie, la certification de rendement et peut réduire l'efficacité de votre humidificateur.

MISE EN GARDE : Ne placez PAS l'appareil directement devant une bouche d'air chaud ou un radiateur. NE le placez PAS sur de la moquette ou un tapis.

À PROPOS DE VOTRE HUMIDIFICATEUR



L'air sec est aspiré à l'intérieur de l'appareil par les côtés et l'arrière. Il est humidifié au fur et à mesure qu'il passe à travers les filtres à mèche saturés pour être ensuite poussé par le ventilateur à l'extérieur de l'appareil dans la pièce.

CARACTÉRISTIQUES

Rendement par 24 h	12 gallons (45 litres)
Capacité en eau	3,5 gallons (13 litres)
Couverture en pieds carrés*	2500 (construction norm.) 3000+ (construction étanche)
Vitesse du ventilateur	Variable (9)
Filtres à mèche de remplacement	HDC311
Hygrostat automatique	Oui
Arrêt automatique	Oui
Type de commandes	Écran tactile numérique
Volts	120
Hertz	60
Watts	80

* Pour une pièce avec isolation moyenne et un plafond à une hauteur de 8 pieds, selon la norme ANSI/AHAM HU-1-1997. SEC. 8.1. Les résultats peuvent varier.

REMARQUES SUR L'EMPLACEMENT :

Afin de tirer le meilleur parti de votre humidificateur, il est important de placer l'appareil à un endroit où le plus d'humidité est nécessaire ou là où l'air humide circulera dans toute la maison comme à proximité d'un retour d'air froid. Si l'appareil est placé près d'une fenêtre, de la condensation peut se former sur la vitre. Si cela se produit, il faut déplacer l'appareil.

Ne placez PAS l'appareil directement devant une bouche d'air chaud ou un radiateur. NE le placez PAS sur de la moquette ou un tapis.

Du fait que de l'air humide et frais est libéré de l'humidificateur, il est préférable de ne pas diriger l'air vers un thermostat ou des bouches d'air chaud.

Placez l'humidificateur à côté d'un mur intérieur sur une surface plane à au moins 4 pouces (10 cm) du mur ou des rideaux.

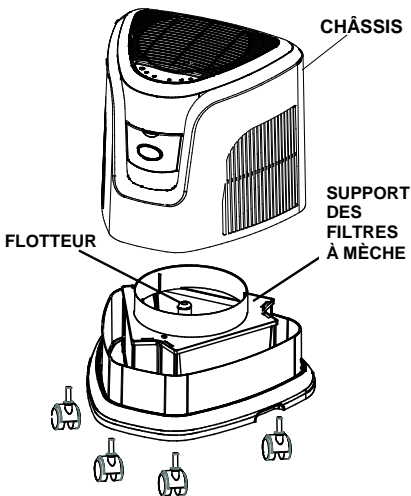
ASSEMBLAGE

DÉBALLAGE ET INSTALLATION DE L'APPAREIL

1. Ouvrez le carton et sortez l'humidificateur.
2. Soulevez le châssis de l'humidificateur (partie supérieure) de la base pour localiser le kit d'accessoires s'y trouvant, à savoir :

- ◆ Ensemble de roulettes
- ◆ Filtres à mèche d'évaporation (une série de trois)
- ◆ Echantillon de traitement bactériostatique
- ◆ Manuel

ROULETTES

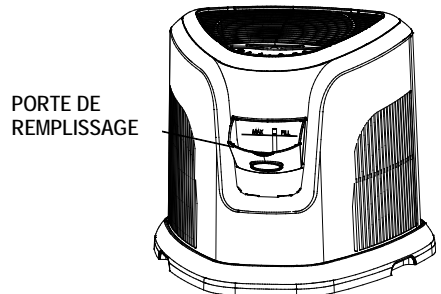


3. Retirez le support des filtres à mèche et le flotteur de la base.
4. Retournez la base. Insérez une tige de roulette dans chacun des orifices situés aux coins de la base de l'humidificateur. Les roulettes doivent bien s'ajuster et être enfoncées jusqu'à ce que l'épaule de la tige atteigne la surface du boîtier.
5. Retournez la base.
6. Remettez le flotteur et support des filtres à mèche en place.

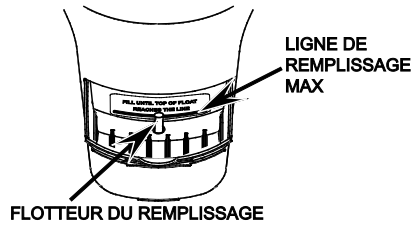
REPLISSAGE D'EAU

AVERTISSEMENT: Éteignez l'appareil avant l'unité de remplissage. Grille garder à tout moment.

AVERTISSEMENT : pour réduire le risque d'incendie ou de choc électrique, ne versez pas (et ne renversez pas) d'eau sur les commandes ou sur le moteur. Si les commandes sont mouillées, laissez-les sécher complètement et faites inspecter l'appareil par un réparateur agréé avant de le rebrancher.



Votre humidificateur est équipé d'une porte de remplissage pratique. Utilisez une carafe pour remplir l'appareil par la porte de remplissage. Lorsque la porte est ouverte, un indicateur LED éclaire le repère MAX FILL (remplissage maximum). Remplir l'appareil jusqu'à ce que le petit flotteur blanc atteigne la Ligne de remplissage MAX. Le réservoir peut contenir 3,5 gallons (13 litres). **Ne remplissez pas trop.**



REMARQUE : Remplissez l'appareil d'eau pure et fraîche (de préférence non adoucie). Vous pouvez utiliser de l'eau adoucie au besoin, mais des dépôts minéraux se formeront alors plus rapidement.

REMARQUE : Lors du premier remplissage, il faut compter environ 20 minutes pour que le filtre à mèche soit entièrement saturé.

MISE EN GARDE: utilisez uniquement un bactériostatique agréé par l'EPA. **Vous ne devez en aucun cas utiliser des produits de traitement de l'eau conçus pour des humidificateurs d'air ultrasoniques ou de type « Roto Belt ».**

Note: Nous recommandons l'utilisation d'IRCARE® ou du traitement bactériostatique d'Essick Air® à chaque remplissage de l'humidificateur afin d'éliminer la croissance bactérienne. Ajoutez le produit de traitement selon les instructions figurant sur le récipient.

À PROPOS DE L'HUMIDITÉ

Le réglage du niveau d'humidité souhaité dépend de votre niveau de confort personnel, la température extérieure et la température intérieure.

REMARQUE: Les tests CDC récentes montrent que les risques de transmission de la grippe sont considérablement réduits à des niveaux de 43% d'humidité.

*Vous pouvez acheter un hygromètre pour mesurer le niveau d'humidité chez vous. Voici un tableau des taux d'humidité recommandés.

IMPORTANT: Des dégâts causés par l'eau peuvent se produire si de la condensation commence à se former sur les fenêtres ou les murs. Le point de réglage (SET) de l'humidité doit être réduit jusqu'à ce que la condensation cesse de se former. Nous recommandons que les niveaux d'humidité ambiante ne dépassent pas 50 %.

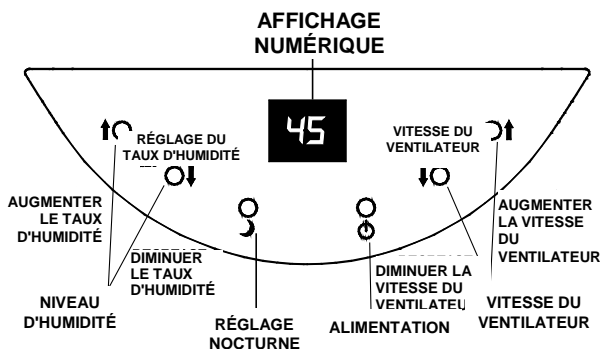
*Lorsque la température extérieure est de		L'humidité relative (HR) recommandée à l'intérieur d'une habitation est de :
°F	°C	
-20	-30°	15 - 20%
-10°	-24°	20 - 25%
2°	-18°	25 - 30%
10°	-12°	30 - 35%
20°	-6°	35 - 40%
30°	-1°	40 - 45%

*o plus

* Modèle 1990 hygromètre numérique est disponible à l'achat par téléphone au 1-800-547-3888.

REMARQUE : Lectures de externes et des lectures hygrostat peuvent différer. Les niveaux d'humidité peuvent varier considérablement, même dans une pièce

COMMANDES ET FONCTIONNEMENT



1. Branchez le cordon dans la prise murale. Votre humidificateur est maintenant prêt à l'emploi.

2. L'humidificateur doit être placé loin de toute bouche d'air chaud et à une distance d'au moins QUATRE pouces (10 cm) de tout mur. Une entrée d'air non obstruée assure une meilleure efficacité et un meilleur rendement de l'appareil.

3. L'écran tactile numérique vous permet de contrôler la vitesse du ventilateur et le niveau d'humidité en tapant simplement sur la flèche vers le haut ou flèche vers le bas du commutateur approprié sur l'avant du panneau.

4. Un affichage numérique fournit des informations sur l'état de l'appareil. Selon la fonction activée, il affiche l'humidité ambiante et réglée, la vitesse du ventilateur et l'état de l'appareil.

VITESSE DU VENTILATEUR

5. Appuyez sur la flèche vers le haut ou vers le bas du commutateur FAN SPEED (vitesse du ventilateur) pour régler le ventilateur. L'écran affichera de F1 à F9 de la plus faible à la plus haute vitesse.



REMARQUE : En cas de condensation excessive, il est recommandé de diminuer la vitesse.

COMMANDE D'HUMIDITÉ

REMARQUE : Le série EA12 est équipé d'un hygrostat réglable qui met en marche et arrête l'humidificateur au besoin pour maintenir le réglage sélectionné.

6. Lors du démarrage initial, l'humidité ambiante de la pièce sera affichée.

7. Appuyez sur la flèche vers le haut ou vers le bas du commutateur HUMIDITY SET (réglage du taux d'humidité) sur le panneau pour régler le niveau d'humidité par incréments de 5 %. Au point de réglage 65 %, l'appareil fonctionnera en continu.

AUTRES INDICATIONS

8. Lorsque l'appareil est à court d'eau, un « F » clignote sur le panneau de commande. Lorsque l'appareil est complètement vide, le moteur s'arrête.



9. Cet humidificateur a un rappel de vérification de filtre qui apparaît après 720 heures de fonctionnement. Lorsque le message Check Filter (CF) (vérifier le filtre) s'affiche, débranchez le cordon d'alimentation et vérifiez l'état du filtre. La fonction CF est réinitialisée après avoir rebranché l'appareil.



VERROUILLAGE DES COMMANDES

Pour éviter la manipulation indésirable des paramètres de l'humidificateur, les commandes peuvent être verrouillées.



PROCÉDURE D'ACTIVATION

10. Après avoir réglé les fonctions de l'humidificateur, maintenez le bouton de mise en marche enfoncé pendant 5 secondes. L'écran affichera « **CL** » pendant 2 secondes ; relâchez le bouton et l'humidité ambiante s'affichera à nouveau. L'humidificateur continuera à fonctionner avec les commandes verrouillées. Si les touches sont utilisées alors que « **CL** » est activé, « **CL** » s'affiche et les réglages ne sont pas affectés.

PROCÉDURE DE DÉSACTIVATION

11. Pour désactiver la fonction « **CL** », appuyez sur le bouton de mise en marche et maintenez-le enfoncé pendant 5 secondes. « **CL** » clignotera pendant 2 secondes, puis l'affichage reviendra à l'humidité ambiante.

RÉGLAGE NOCTURNE

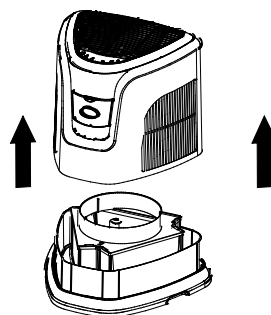
Pour des raisons de commodité, un commutateur de réglage nocturne (symbole du croissant de lune) éteint toutes les lumières sur le panneau de commande, mais laisse tous les réglages dans leur état actuel. Appuyez sur n'importe lequel des interrupteurs pour réinitialiser le panneau à l'éclairage normal.

REMPACEMENT DU FILTRE MÈCHE

MISE EN GARDE : Avant de remplacer le mèche, assurez-vous que l'appareil est éteint.

Remplacement du filtre

1. Débranchez l'humidificateur. Avant de retirer les filtres, nous recommandons de déplacer l'humidificateur jusqu'à un endroit où le revêtement de sol n'est pas susceptible aux dommages causés par l'eau (par exemple jusqu'à la cuisine ou à la salle de bain).
2. Soulevez le châssis de révéler ensemble de mèche.
3. Une série de trois (3) filtres à mèche HDC311 (fournies) se trouvent dans le support.
4. Pour remplacer les filtres à mèche, séparez la partie supérieure du support de la base et faites glisser les filtres à mèche dans chacun des trois emplacements. Fixez le haut du support à la base en positionnant les fentes sur les languettes de la base.
5. Assurez-vous que le flotteur est en place, posez le châssis sur la base et l'appareil est prêt à être rempli.



SOINS ET ENTRETIEN

MISE EN GARDE : Débranchez l'alimentation avant de remplir, nettoyer ou entretenir l'appareil. Gardez toujours la grille au sec en tout temps.

Le nettoyage régulier de votre humidificateur aide à éliminer les odeurs et la croissance bactérienne et fongique. De l'eau de javel ordinaire est un bon désinfectant et peut être utilisée pour désinfecter la base de l'humidificateur et le récipient/réservoir après le nettoyage. Nous recommandons de nettoyer votre humidificateur au moins une fois toutes les deux semaines pour maintenir des conditions environnementales optimales pour votre maison.

Nous recommandons l'utilisation du traitement bactériostatique d'Essick Air à chaque remplissage de l'appareil afin d'éliminer la croissance éventuelle de bactéries. Ajoutez le produit de traitement selon les directives inscrites sur le récipient. Veuillez appeler le 1-800-547-3888 pour commander le traitement bactériostatique, sous le numéro de produit 1970.

1. Éteignez complètement l'appareil et débranchez-le de la prise.
2. Soulevez le châssis.
3. Amenez la base vers un évier. Soulevez le filtre à mèche de la base en laissant l'eau s'écouler. Rincez les filtres à mèche avec de l'eau fraîche uniquement. N'utilisez pas de savon, de détergent ni d'autres produits de nettoyage sur le filtre à mèche. Laissez-le s'égoutter dans l'évier.

DÉTARTRAGE

4. Videz l'eau contenue dans le réservoir. Remplissez de moitié le réservoir avec de l'eau et ajoutez 8 onces (1 tasse) de vinaigre blanc. Laissez agir pendant 20 minutes. Puis videz la solution.
5. Imbibez un chiffon doux avec du vinaigre blanc et essuyez le réservoir pour enlever les dépôts. Rincez abondamment le réservoir avec de l'eau fraîche pour enlever le tartre et la solution de nettoyage avant de désinfecter.

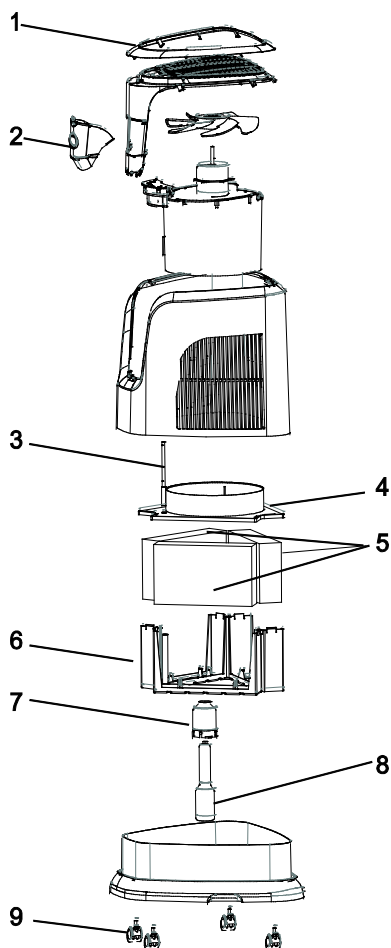
DÉSINFECTION DE L'APPAREIL

6. Remplissez de moitié le réservoir avec de l'eau et ajoutez 1 c. à thé d'eau de javel. Essuyez le boîtier et l'extérieur du réservoir avec cette solution. Laissez agir la solution pendant 20 minutes, puis rincez à l'eau jusqu'à ce que l'odeur de l'eau de javel ait disparu. Séchez avec un chiffon propre.
7. Remplissez l'appareil et remontez-le selon les directives d'ASSEMBLAGE.

ENTREPOSAGE PENDANT L'ÉTÉ

1. Nettoyez l'appareil tel que décrit dans le chapitre Soins et Entretien.
2. Jetez les filtres à mèche usés et toute eau résiduelle dans le réservoir et laissez l'appareil sécher complètement avant de le ranger. N'entreposez pas l'appareil avec de l'eau résiduelle dans le réservoir ou les récipients.
3. N'entreposez pas l'appareil dans un grenier ou dans un endroit où la température est élevée.
4. Installez un nouveau filtre au début de la saison.

Liste de pièces pour le modèle EA12 SERIES



Pièces de rechange disponibles pour l'achat			
Élément n°	Description	Pièces EA1201	Pièces EA1208
1	Garniture	1B72447	1B72708
2	Porte de remplissage	1B72450	
3	Flotteur	1B72487	
4	Haut du support des filtres à mèche	1B72444	
5	Filtres à mèche (ensemble de 3)	HDC311	
6	Bas du support des filtres à mèche	1B72445	
7	Dispositif de retenue du flotteur	S98830496C002	
8	Flotteur	F34829816	
9	Roulettes (4)	1B5460070	
10	Manuel (non représenté)	1B72484	

**POLITIQUE DE GARANTIE DE L'HUMIDIFICATEUR - À COMPTER
DU 01 JANVIER 2014 :**

**FACTURE REQUISE COMME PREUVE D'ACHAT POUR TOUTE RÉCLAMATION
VISANT À FAIRE VALOIR LA GARANTIE.**

Ce produit est garanti contre les défauts de fabrication et de matériaux à compter de la date de vente des composants installés en usine comme indiqué ci-dessous :

2 ans – pour les commandes, le moteur et la base.

1 an – pour les pièces/composants installés en usine tels que les réservoirs et bouchons.

Trente (30) jours pour les mèches et filtres.

Cette garantie s'applique uniquement à l'acheteur original du produit si ce dernier a été acheté chez un détaillant/distributeur de renom.

La présente garantie ne s'applique pas aux dommages résultant d'un accident, d'un emploi non conforme, d'une modification, de réparations non autorisées, d'un usage non autorisé, d'une manipulation sans précaution, d'une utilisation déraisonnable, d'un abus, y compris le fait de pas avoir procédé à une maintenance raisonnable, de l'usure normale, d'un emploi sur un circuit électrique caractérisé par une tension supérieure de plus de 5 % à la tension nominale indiquée sur la plaque signalétique, ou d'une installation, d'un câblage ou d'un entretien d'équipements ou de produits ne respectant pas les instructions de ce mode d'emploi.

Les modifications comprennent la substitution d'éléments de marque, y compris, mais non limités à, les mèches et le traitement des bactéries.

CE PRODUIT N'EST PAS DESTINÉ À UN USAGE COMMERCIAL. CECI EST LA SEULE ET UNIQUE GARANTIE ACCORDÉE PAR LE FABRICANT RELATIVE AUX PRODUITS ET, DANS LA MESURE MAXIMALE AUTORISÉE PAR LA LOI, ELLE SE SUBSTITUE À TOUTES LES AUTRES GARANTIES ET CONDITIONS, EXPLICITES ET IMPLICITES, OCTROYÉES PAR LA LOI OU AUTREMENT, Y COMPRIS, MAIS DE FAÇON NON LIMITATIVE, LES GARANTIES DE QUALITÉ MARCHANDE ET/OU D'ADÉQUATION À UN BUT PARTICULIER.

Aucun employé, agent, revendeur ou autre individu n'est autorisé à accorder des garanties ou des conditions au nom du fabricant. Le client devra assumer tous les coûts de main-d'oeuvre engagés.

Dans les limites de cette garantie, l'acheteur en possession d'un appareil défectueux doit contacter le service client au 800-547-3888 pour obtenir des instructions sur la façon d'obtenir des pièces de rechange sous garantie comme indiqué ci-dessus. Une copie de la facture d'achat est nécessaire afin de faire valoir la garantie sur les pièces. Le fabricant remplacera la pièce/le produit défectueux, à sa discrétion, en prenant à sa charge les frais de transport pour le renvoi du produit au client. Il est convenu qu'un tel remplacement est le seul recours offert par le fabricant et que, DANS LA MESURE MAXIMALE AUTORISÉE PAR LA LOI, LE FABRICANT NE SAURAIT ÊTRE TENU RESPONSABLE DE DOMMAGES QUELCONQUES, Y COMPRIS DES DOMMAGES ACCESSOIRES OU SECONDAIRES, OU DES PERTES DE BÉNÉFICES OU DE REVENUS.

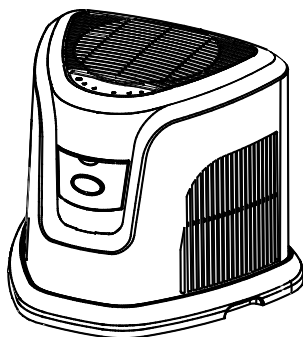
Cette garantie sera considérée comme nulle et non avenue si l'acheteur tente de réparer ou remplacer des pièces mécaniques ou électriques.

La garantie confère des droits spécifiques au client, et ce dernier peut également jouir d'autres droits en fonction de la Province ou de l'État dans lequel il réside.

AIRCARE®

TRIANGULO DE CONSOLA HUMIDIFICADOR POR EVAPORACIÓN

SERIE EA12 GUÍA DE USO Y CUIDADO



- ▶ Humidistato ajustable
- ▶ Ventilador de variable velocidades
- ▶ Depósito de fácil llenado

EA1201; EA1208



Ingles1
Francés.....11

PARA ADQUIRIR PIEZAS Y ACCESORIOS LLAME AL 1.800.547.3888

LA COMODIDAD ESTÁ EN EL AIRE

PAUTAS IMPORTANTES DE SEGURIDAD

LEA ESTO ANTES DE USAR SU HUMIDIFICADOR

Instrucciones generales de seguridad

LEER ANTES DE USAR SU HUMIDIFICADOR

PELIGRO: significa que si no se respeta la información de seguridad, alguien puede resultar seriamente herido o muerto.

ADVERTENCIA: significa que si no se respeta la información de seguridad, alguien podría resultar seriamente herido o muerto.

PRECAUCIÓN: significa que si no se respeta la información de seguridad, alguien puede resultar herido.

1. Para reducir el riesgo de incendio o descarga eléctrica, este humidificador posee un enchufe polarizado (una espiga es más ancha que la otra). Enchufe el humidificador directamente a un tomacorriente eléctrico de 120 V de CA. No utilice extensiones. Si el enchufe no encaja completamente en el tomacorriente, inviértalo. Si aún así no encaja, contacte a un electricista calificado para que instale el tomacorriente adecuado. No cambie el enchufe de ninguna manera..
2. Mantenga el cable fuera de las áreas de tránsito. Para reducir el riesgo de peligro de incendio, nunca coloque el cable debajo de alfombras, cerca de fuentes de calor, radiadores, cocinas o calentadores.
3. Siempre desenchufe el humidificador antes de moverlo, antes de limpiarlo o cada vez que el humidificador no esté funcionando.
4. Mantenga el humidificador limpio.
5. No coloque objetos extraños dentro del humidificador.
6. No permita que la unidad se utilice como un juguete. Se debe prestar atención cuando lo utilizan niños o cuando se lo utiliza cerca de niños
7. Para reducir el riesgo de peligro eléctrico o daño al humidificador, no lo mueva, sacuda ni incline mientras la unidad esté en funcionamiento.
8. Para reducir el riesgo de descargas eléctricas accidentales, no toque el cable ni los controles con las manos húmedas.
9. Para reducir el riesgo de incendio, no lo utilice cerca de una fuente de fuego abierta, como una vela u otra fuente.

PRECAUCIÓN: Nunca utilice su humidificador cuando le falte una parte o una parte esté dañada en alguna forma.

PRECAUCIÓN Para reducir el riesgo de incendio, descarga eléctrica o daños, siempre desconecte la unidad antes de realizar el mantenimiento o la limpieza.

PRECAUCIÓN: Para reducir el riesgo de incendio o electrocución, no vierta ni derrame agua sobre la zona del motor o del control. Si se mojan los controles, déjelos secar completamente y haga revisar la unidad por personal de mantenimiento autorizado antes de conectarla.

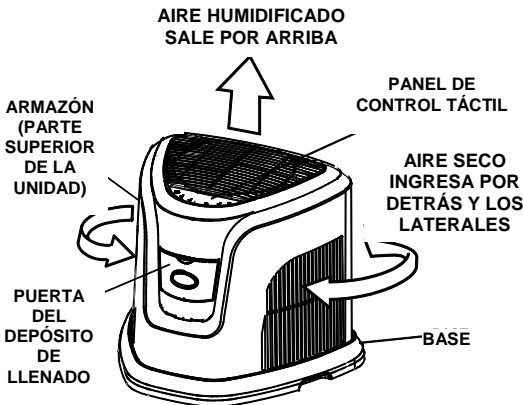
INTRODUCCIÓN

Su humidificador por evaporación añade humedad invisible a su hogar desplazando aire seco a través de una mecha saturada. A medida que el aire atraviesa la mecha, el agua se evapora en el aire, dejando atrás polvo blanco, minerales o sólidos disueltos o suspendidos. Dado que el agua se evapora, no hay niebla o rocío problemáticos, simplemente aire húmedo limpio e invisible.

A medida que la mecha de evaporación atrapa los minerales acumulados en el agua, se reduce su capacidad de absorber y evaporar agua. Se recomienda cambiar la mecha al comienzo de la estación. En áreas de aguas duras, deberá reemplazarla con más frecuencia para mantener la eficiencia de su humidificador.

Solo utilice mechas de repuesto y químicos de la marca Essick Air. Para solicitar piezas, mechas y químicos llame al 1-800-547-3888. El serie EA12 utiliza 3 mechas con el número de pieza HDC311. Solo la mecha de evaporación de Essick Air garantiza el rendimiento certificado de su humidificador. El uso de mechas que no son de la marca Essick Air puede anular su garantía y la certificación de rendimiento y puede reducir la eficiencia de su humidificador.

CÓMO FUNCIONA SU HUMIDIFICADOR



El aire seco ingresa en la unidad por los laterales y la parte trasera, donde el aire circula a través de las mechas saturadas y se humedece antes de que el ventilador lo impulse por la parte superior de la unidad hacia la habitación.

FUNCIONES	
Rendimiento en 24 horas	12 galones
Capacidad de agua	3,5 galones
Cobertura en pies cuadrados*	2500 (construcción regular)
	3000+ (construcción estanca)
Velocidades del ventilador	9 (variables)
Mechas de repuesto	HDC311
Humidistato ajustable	Sí
Apagado automático	Sí
Tipo de control	Pantalla táctil digital
Voltios	120
Hercios	60
Vatios	80

* Basado en una superficie con aislamiento promedio y una altura de cielorraso de 8 pies. ANSI/AHAM HU-1-1997. SEC. 8.1. Los resultados pueden variar.

NOTAS SOBRE LA UBICACIÓN:

Con el fin de conseguir un uso más efectivo del humidificador, es importante colocar la unidad donde se requiera la mayor cantidad de humedad o en el lugar de la casa donde circulará la mayor cantidad de aire; por ejemplo, cerca de un retorno de aire frío. Si la unidad se coloca cerca de una ventana, puede formarse condensación en el cristal de la ventana. Si esto sucede, se debe colocar la unidad en otro lugar.

NO sitúe la unidad directamente delante de un conducto de aire caliente o radiador. NO coloque la unidad sobre una alfombra mullida.

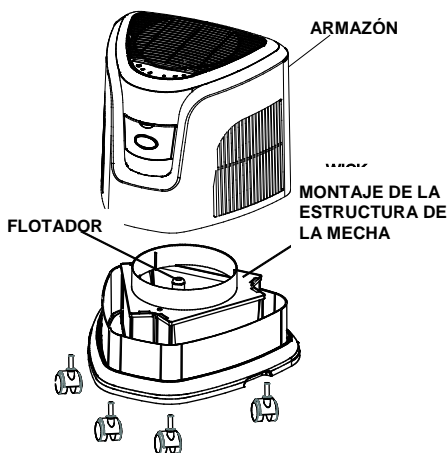
Debido a que el humidificador emite aire frío y húmedo, se recomienda orientar la dirección del aire lejos del termostato y de las rejillas de aire caliente.

Coloque el humidificador cerca de una pared interna en un lugar nivelado a 10 centímetros de distancia, como mínimo, de la pared o de las cortinas.

MONTAJE

1. Abra la caja y retire el humidificador.
2. Retire el armazón del humidificador (parte superior) de la base para colocar el kit de accesorios en el interior, que incluye:

- ◆ Kit de ruedas
- ◆ Muestra de tratamiento bacteriano
- ◆ Mechas de evaporación (un conjunto de 3)
- ◆ Manual



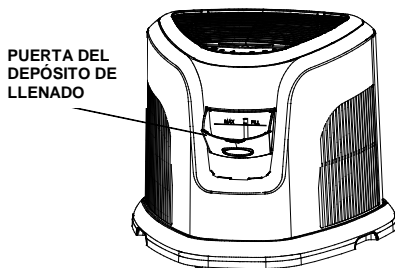
RUEDAS

3. Retire la estructura de la mecha y el conjunto del flotador de la base.
4. Coloque la base boca abajo. Introduzca el eje de cada rueda en los orificios que se encuentran en los ángulos de la base del humidificador. Las ruedas deben encajar perfectamente e insertarse hasta que el tope del eje alcance la superficie del gabinete.
5. Coloque la base boca arriba.
6. Vuelva a colocar el flotador y montaje de la estructura de la mecha en su lugar.

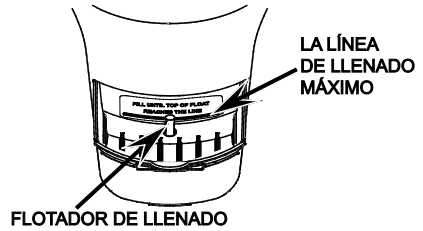
LLENADO DE AGUA

ADVERTENCIA: Antes de realizar el llenado, asegúrese de que la unidad esté APAGADA. Siempre mantener la rejilla seca.

ADVERTENCIA: Para reducir el riesgo de peligro de incendio o descargas eléctricas, no eche ni derrame agua en el área de los controles o del motor. Si los controles se mojan, deje que se sequen completamente y haga que la unidad sea revisada por personal de servicio autorizado antes de enchufarla.



Su humidificador está equipado con una puerta de llenado frontal. Utilice una jarra para llenar la unidad por la puerta del conducto. Cuando la puerta se abre, se enciende la luz LED de la línea de LLENADO MÁXIMO. Llene la unidad hasta que el pequeño flotador blanco alcanza el MAX FILL línea. El depósito tiene 3,5 galones. **No llenar demasiado.**



NOTA: Llene la unidad con agua dulce fría (preferentemente no blanda). Si solo cuenta con agua blanda en su hogar, puede utilizarla, pero la acumulación de minerales se producirá con mayor rapidez.

NOTA: Durante el llenado inicial, la mecha tardará 20 minutos aproximadamente en saturarse por completo.

PRECAUCIÓN: Utilice únicamente un bacteriostato registrado por EPA . Recomendamos usar el Tratamiento Bactericida 1970 de Essick Air cada vez que rellene su humidificador para eliminar el crecimiento bacteriano.

En ninguna circunstancia debe usted usar productos de tratamiento de agua diseñados para humidificadores de disco de impulso o ultrasónicos.

ACERCA DE LA HUMEDAD

El punto en el que ajuste los niveles de humedad deseados depende de su nivel de comodidad personal, la temperatura exterior y la temperatura interior.

NOTA: Pruebas recientes de los CDC muestran que las posibilidades de transmisión de la gripe se reducen en gran medida a niveles de 43% de humedad.

Es posible que desee comprar un higrómetro para medir el nivel de humedad en su hogar. El siguiente es un diagrama de ajustes de humedad recomendados.

IMPORTANTE: El agua puede producir daños si comienza a formarse condensación en ventanas o paredes. Debe disminuirse el punto de AJUSTE de la humedad hasta que ya no se forme condensación. Se recomienda que los niveles de humedad de la habitación no excedan el 50%.

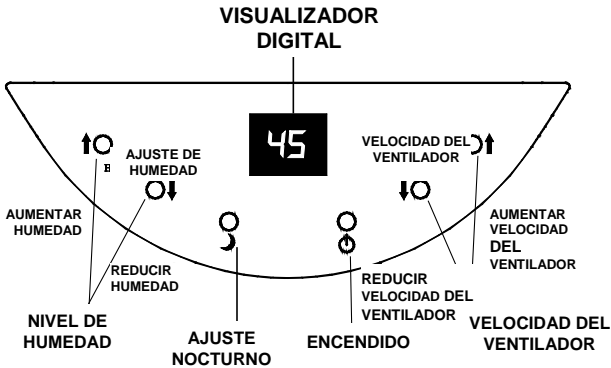
* Cuando la temperatura exterior es de:		La humedad relativa (HR) interior recomendada es del
°F	° C	
-20	-30°	15 - 20%
-10°	-24°	20 - 25%
2°	-18°	25 - 30%
10°	-12°	30 - 35%
20°	-6°	35 - 40%
30°	-1°	40 - 45%

* o mayor

* Modelo 1990 higrómetro digital está disponible para su compra llamando al 1-800-547-3888.

NOTA: Las lecturas del higrómetro externos y lecturas humidistato pueden ser diferentes. Los niveles de humedad pueden variar significativamente, incluso en una habitación.

CONTROLES Y FUNCIONAMIENTO



1. Conecte el enchufe en un tomacorriente de pared. Su humidificador ya está listo para ser utilizado. El humidificador no debe estar cerca de ninguna rejilla de calor.
2. Coloque la unidad a DIEZ centímetros, como mínimo, de cualquier pared. Con la libre circulación de aire en la unidad, se obtendrá el mejor rendimiento y funcionamiento.

3. El panel de pantalla táctil digital le permite controlar la velocidad del ventilador y el nivel de humedad con solo presionar el botón correspondiente con la flecha hacia arriba o hacia abajo en la parte delantera del panel.
4. Un visualizador digital brinda información sobre el estado de la unidad. Según la función que se seleccione, el visualizador muestra la humedad ambiente y la humedad configurada, la velocidad del ventilador y el estado de la unidad.

VELOCIDAD DEL VENTILADOR

5. Presione la flecha hacia arriba o la flecha hacia abajo en la sección VELOCIDAD DEL VENTILADOR para ajustar el ventilador. El visualizador mostrará desde F1 (velocidad baja) hasta F9 (velocidad alta).



NOTA: Se recomienda disminuir la velocidad cuando exista una condensación excesiva.

CONTROL DE LA HUMEDAD

NOTA: El Serie EA12 tiene un humidistato ajustable que enciende y apaga el humidificador, según se requiera, para mantener el ajuste seleccionado.

6. En el encendido inicial, se visualizará la humedad ambiente de la habitación.
7. Presione la flecha hacia arriba o hacia abajo en la sección AJUSTE DE LA HUMEDAD del panel para ajustar el nivel de humedad en incrementos del 5%. A un punto de ajuste del 65%, la unidad funcionará de manera continua.

OTRAS INDICACIONES



8. Cuando la unidad se quede sin agua, el control mostrará una “F” intermitente. Cuando la unidad se encuentre completamente sin agua, el motor se apagará.
9. Este humidificador posee un recordatorio de control de filtro programado para dar aviso después de 720 horas de funcionamiento. Cuando el mensaje de control del filtro (CF) aparezca en el visualizador, desconecte el cable de alimentación y controle el estado del filtro. La función CF vuelve a cero luego de conectar la unidad nuevamente.

FUNCIÓN DE BLOQUEO DEL CONTROL



Para evitar que los ajustes del humidificador se vean alterados involuntariamente, los controles pueden bloquearse.

PROCEDIMIENTO DE ACTIVACIÓN

10. Después de configurar las funciones del humidificador, mantenga presionado el botón de encendido durante 5 segundos. El visualizador mostrará “CL” por 2 segundos; suelte el botón de encendido y el control volverá a mostrar la humedad de la habitación. El humidificador seguirá funcionando con los ajustes bloqueados. Si se operan los botones mientras el bloqueo del control (“CL”) está activado, el visualizador mostrará “CL” y los ajustes no se modificarán.

PROCEDIMIENTO DE DESACTIVACIÓN

10. Para desactivar la función de bloqueo del control (“CL”), solo mantenga presionado el botón de encendido durante 5 segundos. “CL” parpadeará a razón de 1 segundo encendido y 1 segundo apagado durante 2 segundos y, luego, volverá a mostrar la humedad de la habitación

AJUSTE NOCTURNO

Para mayor comodidad, un interruptor de ajuste nocturno (luna creciente) apaga todas las luces en el panel de control, pero deja todos los ajustes en su estado actual. Toque cualquiera de los interruptores para restablecer el panel a su iluminación normal.

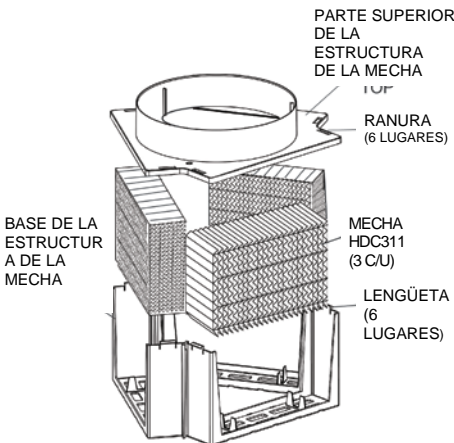
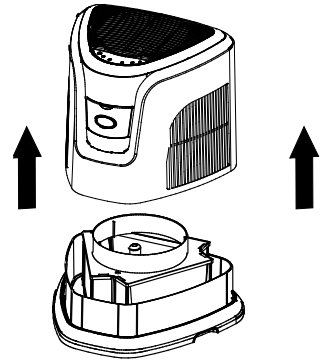
REEMPLAZO DE FILTRO DE MECHA

ADVERTENCIA: Antes de cambiar la mecha, asegúrese de que la unidad esté APAGADA.

PRECAUCIÓN: Para ayudar a retardar el crecimiento de bacterias y mantener la máxima eficiencia, se debe reemplazar el filtro de mecha al menos una vez por estación, o más a menudo en condiciones de agua dura. Use los filtros de mecha de repuesto recomendado AIRCARE® /Essick® HDC311.

Reemplace el filtros de mecha vaporizador al menos una vez por temporada de humidificación o más, dependiendo de las condiciones del agua de su zona.

1. Desenchufe el humidificador.
Antes de quitar el filtro de mecha, recomendamos trasladar el humidificador a un lugar donde los revestimientos de piso no estén propensos a sufrir daños por causa del agua (por ejemplo, zonas de cocina o de baño.)
2. Levante el chasis para revelar conjunto de mechas.



3. Las tres (3) mechas HDC311 (provistas) encajan en la estructura de la mecha.
4. Para reemplazar las mechas, retire la parte superior de la estructura de la mecha de la base de dicha estructura y deslice las mechas en cada una de las tres secciones. Sujete la parte superior de la estructura de la mecha a la base colocando las ranuras en la parte superior sobre las lengüetas en la base.
5. Asegúrese de que el flotador se encuentre en posición, coloque el armazón sobre la base, y la unidad está lista para su llenado.

CUIDADO Y MANTENIMIENTO

ADVERTENCIA: Desconecte el suministro de energía antes de realizar el llenado, la limpieza o el mantenimiento de la unidad. Mantenga la rejilla seca en todo momento.

Limpia frecuentemente su humidificador ayuda a eliminar los olores y el desarrollo de hongos y bacterias. El blanqueador doméstico común es un buen desinfectante y puede utilizarse para repasar la base del humidificador y el envase o depósito luego de la limpieza. Se recomienda limpiar el humidificador por lo menos cada dos semanas a fin de mantener su hogar en óptimas condiciones ambientales.

Asimismo se recomienda utilizar el Tratamiento Antibacteriano Essick Air cada vez que rellene su humidificador para eliminar el desarrollo de bacterias. Añada el bactericida según las instrucciones del envase. Para adquirir el Tratamiento Antibacteriano (N.º de referencia 1970), comuníquese al 1-800-547-3888.

1. Apague la unidad completamente y desconéctela del tomacorriente.
2. Levante el chasis
3. Traslade la base a un lavabo. Levante las mechas de la base para permitir que se escurra el agua. Enjuague las mechas únicamente con agua dulce. No utilice jabón, detergente ni cualquier otro producto de limpieza en la mecha. Deje escurrir en la piletta.

ELIMINACIÓN DEL SARRO

4. Vacíe el agua del depósito. Llene el depósito por la mitad con agua dulce y añada 250 cc (una taza) de vinagre blanco. Deje reposar durante 20 minutos. Luego vacíe la solución.
5. Humedezca un paño suave con vinagre blanco y repase el depósito para eliminar el sarro. Enjuague completamente el depósito con agua dulce para eliminar el sarro y la solución de limpieza antes de la desinfección.

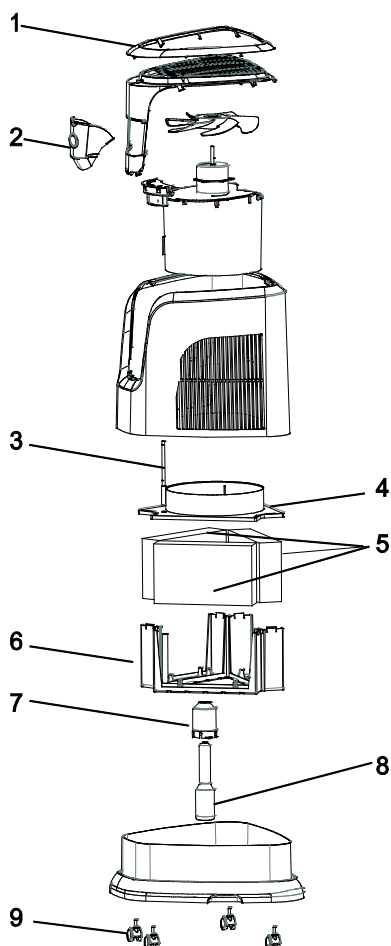
DESINFECCIÓN DE LA UNIDAD

6. Llene el depósito por la mitad con agua y añada una cucharadita de blanqueador a cada uno. Limpie las superficies del gabinete y del depósito con esta solución. Deje actuar la solución durante 20 minutos. Luego, enjuague con agua hasta que el olor del blanqueador desaparezca. Seque con un paño limpio.
7. Vuelva a montar y llenar la unidad de acuerdo con las instrucciones de MONTAJE.

ALMACENAMIENTO DURANTE EL VERANO

1. Limpie la unidad como se describe en la sección Cuidado y mantenimiento.
2. Deseche las mechas usada y toda el agua que se encuentre en el depósito o envases y deje secar completamente antes del almacenamiento. No guarde la unidad con agua en el depósito o envases.
3. No guarde la unidad en un ático u otra zona de alta temperatura, ya que podrían producirse daños.
4. Instale un nuevo filtro al comienzo de la estación.

Listado de piezas para EA12 SERIE



Piezas de repuesto disponibles para adquirir

N.º de artículo	Descripción	EA1201	EA1208
1	Anillo de guarnición	1B72447	1B72708
2	Puerta de llenado	1B72450	
3	Flotador de llenado	1B72487	
4	Parte superior de la estructura de la mecha	1B72444	
5	Filtro de Mechas (conjunto de 3)	HDC311	
6	Parte inferior de la estructura de la mecha	1B72445	
7	Retenedor del flotador	S98830496C002	
8	Flotador	F34829816	
9	Ruedas (4)	1B5460070	
10	Manual (no se muestra)	1B72484	

**PÓLIZA DE GARANTÍA DEL HUMIDIFICADOR - VÁLIDA AL
1 DE ENERO DE 2014:**

PARA CUALQUIER RECLAMO RELACIONADO CON LA GARANTÍA ES NECESARIO PRESENTAR EL RECIBO COMO PRUEBA DE COMPRA.

Este producto posee garantía por defectos en la fabricación y en los materiales a partir de la fecha de venta de componentes instalados en fábrica según se detalla a continuación:

2 años en el control, el motor y el gabinete.

1 año en piezas y componentes instalados en fábrica, como los envases y las tapas del envase.

Treinta (30) días en mechas y filtros.

Esta garantía es aplicable solamente al comprador original del producto siempre que haya adquirido el producto en una tienda o un distribuidor de buena reputación.

Esta garantía no es aplicable a productos que se hayan dañado como consecuencia de accidentes, uso indebido, alteraciones, reparaciones no autorizadas, uso no autorizado, manipulación incorrecta, uso no razonable, abuso, incluida la falta de mantenimiento razonable, el desgaste normal o cuando la tensión de conexión supera en más de 5% aquella especificada en la placa del fabricante. Asimismo, esta garantía tampoco es aplicable al equipo o a los productos que fueran instalados, conectados o sometidos a mantenimiento de forma incorrecta sin seguir las especificaciones de este Manual del Usuario.

Las alteraciones que puede sufrir el producto incluyen la sustitución de componentes de marca, incluido el tratamiento de bacterias y mechas. ESTE PRODUCTO NO FUE DISEÑADO PARA USO COMERCIAL. LA PRESENTE ES LA ÚNICA GARANTÍA QUE OFRECE EL FABRICANTE CON RESPECTO A LOS PRODUCTOS Y, HASTA EL GRADO MÁXIMO PERMITIDO POR LA LEY, REEMPLAZA A CUALQUIER OTRA GARANTÍA, POR ESCRITO O TÁCITA, QUE OPERE DE PLENO DERECHO O DE OTRA FORMA. SE INCLUYE, SIN LIMITACIONES, LA COMERCIABILIDAD Y/O APTITUD PARA UN PROPÓSITO EN PARTICULAR.

Los empleados, agentes, distribuidores u otras personas no se encuentran autorizados a brindar garantías o condiciones en nombre del fabricante. El cliente será responsable por todos los costos de mano de obra incurridos.

Dentro de las limitaciones de la presente garantía, el comprador que tanga unidades fuera de funcionamiento debe comunicarse con el servicio de atención al cliente al 800-547-3888 para obtener instrucciones sobre cómo obtener las piezas de repuesto dentro de la garantía, como se indica anteriormente. Se requiere una copia del recibo de venta antes de que la garantía de cualquier pieza se considere válida.

El fabricante reemplazará la parte o producto defectuoso, según lo crea conveniente, y se hará cargo de los gastos de envío de la devolución al cliente. Se acuerda que el reemplazo es la única solución que el fabricante tiene disponible.

ASIMISMO, HASTA EL GRADO MÁXIMO PERMITIDO POR LA LEY, EL FABRICANTE NO SE HACE RESPONSABLE POR LOS DAÑOS DE CUALQUIER TIPO, INCLUIDOS DAÑOS INCIDENTALES Y EMERGENTES, O LA PÉRDIDA DE GANANCIAS O INGRESOS.

Esta garantía se anulará si el comprador intenta reparar o reemplazar cualquier pieza mecánica o eléctrica.

Esta garantía le confiere al cliente derechos específicos. Además, el cliente puede gozar de otros derechos que varían según la provincia o el estado.

AIRCARE®

**ESSICK AIR PRODUCTS
5800 MURRAY ST.
LITTLE ROCK, AR 72209
www.essickair.com**