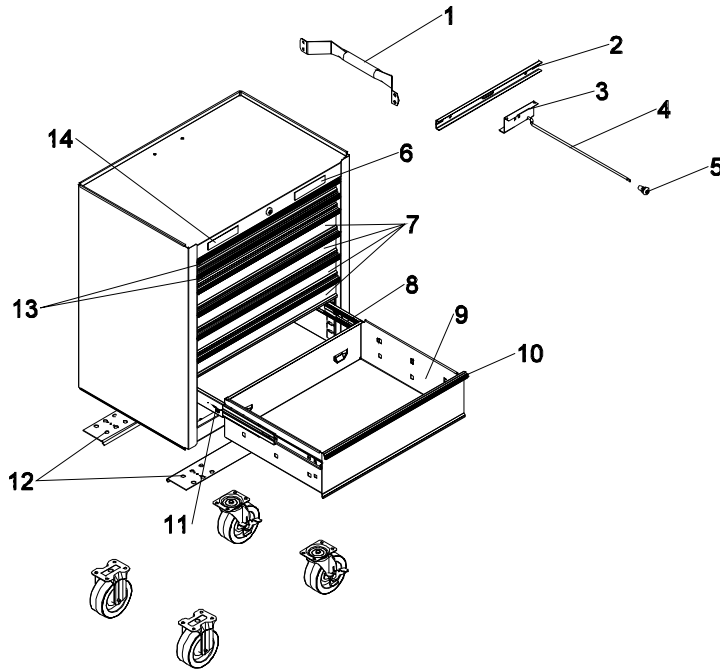


MODEL NO. TR71807.3 7 DRAWER BB CABINET

WHEN ORDERING REPLACEMENT PARTS ALWAYS
GIVE THE FOLLOWING INFORMATION:
MODEL NUMBER MODEL DESCRIPTION
PART NUMBER PART DESCRIPTION
QUANTITY PART COLOR



| # | PART NO. | DESCRIPTION |
|----|--------------|------------------|
| 1 | 15341-DR8 | HANDLE-RED |
| 2 | 16771-ENCS | ACTUATOR CHANNEL |
| 3 | 16772-ENCS | ACTUATOR BRACKET |
| 4 | 15150A1 | ACTUATOR ROD |
| 5 | 12918A10-SS | LOCK |
| 6 | 10704 | NAMEPLATE |
| 7 | 26225A1-ERED | 3" DRAWER-RED |
| 8 | 27841 | SLIDE-RIGHT |
| 9 | 18310A2-ERED | 6" DRAWER-RED |
| 10 | 15804A2 | DRAWER TRIM |
| 11 | 27840 | SLIDE-LEFT |
| 12 | 14010-ERED | CASTER ANGLE-RED |

| # | PART NO. | DESCRIPTION |
|----|--------------|---------------------|
| 13 | 26225A3-ERED | 2" DRAWER-RED |
| 14 | 10705A1 | LABEL |
| -- | F1396 | INSTRUCTION SHEET |
| -- | 9371 | NAMEPLATE CLIP |
| -- | 17716 | HARDWARE BAG-HANDLE |
| -- | 27872A1 | CASTER PACK |
| -- | 13785 | HARDWARE BAG-CASTER |
| -- | 16464 | DRAWER LABEL |

NOTE:

1. ALL UNNUMBERED PARTS ARE INTERCHANGEABLE WITH OPPOSITE SIDE.
2. TO ORDER JUST KEYS OR TO MATCH LOCK TO ANOTHER UNIT, GIVE NUMBER THAT IS STAMPED ON FACE OF LOCK.
3. REPLACEMENT KEYS MAY BE ORDERED USING THE LETTER AND NUMBER COMBINATION WHICH APPEARS ON THE FACE OF THE LOCK AS THE PART NUMBER.