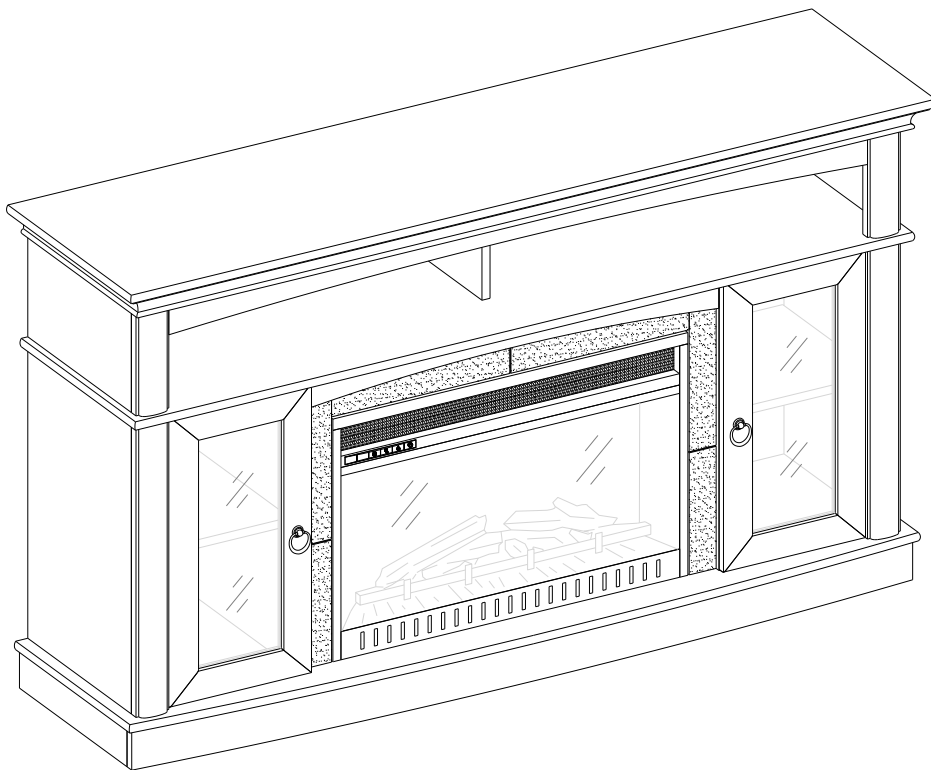


# ASSEMBLY INSTRUCTIONS

---

## Rinehart 59 inch Media Console Infrared Electric Fireplace in Anthracite Finish



Questions, problems, missing parts? Before returning to the store,  
call Home Decorators Collection Customer Service  
8 a.m. - 6 p.m., EST, Monday-Friday

**1-800-986-3460**

**[HOMEDEPOT.COM/HOMEDECORATORS](http://HOMEDEPOT.COM/HOMEDECORATORS)**

---

### THANK YOU

*We appreciate the trust and confidence you have placed in Home Decorators Collection through the purchase of this fireplace console. We strive to continually create quality products designed to enhance your home. Visit us online to see our full line of products available for your home improvement needs. Thank you for choosing Home Decorators Collection!*

# Table of Contents

Table of Contents .....	2	Hardware Included .....	3
Safety Information.....	2	Package Contents .....	3
Warranty .....	2	Assembly .....	4
Pre-Assembly .....	2	Care and Maintenance.....	15
Planning Assembly .....	2		
Tools required.....	2		

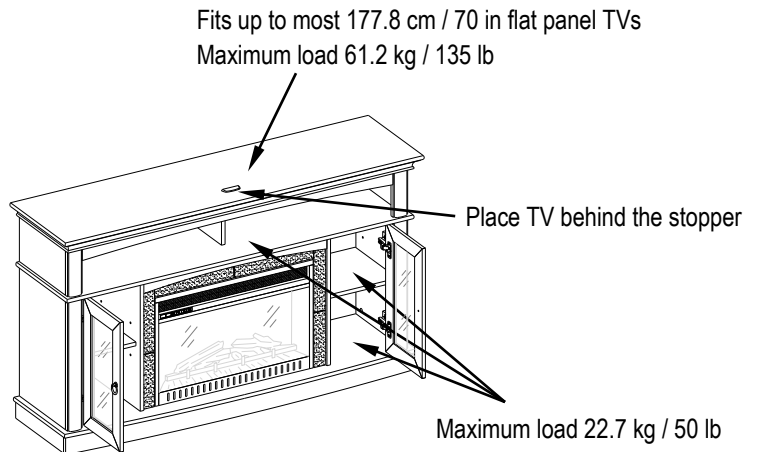
# Safety Information

Please read and understand these instructions before assembling and using this console. Save these instructions for future reference.

## MAXIMUM RECOMMENDED WEIGHT LOADS



**WARNING:** This unit is not intended for use with CRT TVs. Use only with flat panel TVs and audio/video equipment meeting recommended size and weight limits. Never use with larger/heavier than recommended flat panel TVs or equipment. To avoid instability, place flat panel TV in the centre of the unit; the base of the television must be able to rest on the supporting surface of the unit without over-hanging the edges. Improperly positioned flat panel TVs, or flat panel TVs or other equipment that exceed recommended size and weight limits could fall off or break the unit, causing possible serious injury.



# Warranty

We are confident that you will be delighted with this purchase. Should this product be defective in workmanship or materials, or fail under normal use, we will repair or replace it for a period of up to one (1) year from date of purchase.

This warranty gives you specific rights and you may also have other rights which vary from state to state.

Contact the Customer Service Team at 1-800-986-3460 or visit [www.HomeDepot.com/homedecorators](http://www.HomeDepot.com/homedecorators).

# Pre-Assembly

## PLANNING ASSEMBLY

Compare all parts with the Hardware Included and Package Contents list. If any part appears missing or damaged, do not assemble this product and contact the Customer Service Team at 1-800-986-3460.

## TOOLS REQUIRED



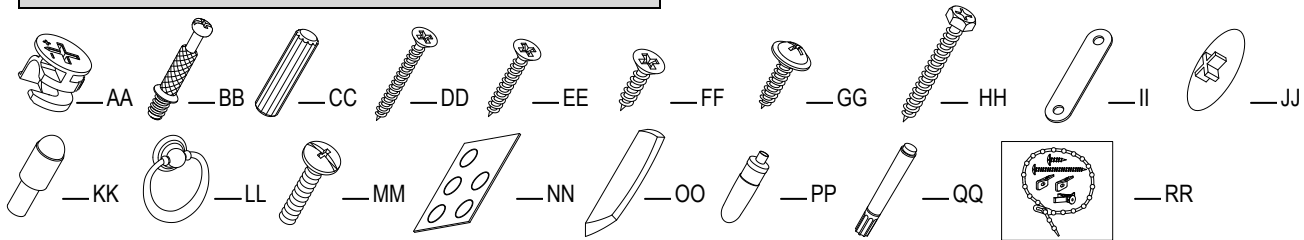
Phillips  
screwdriver  
(not provided)

# Pre-Assembly (continued)

## HARDWARE INCLUDED



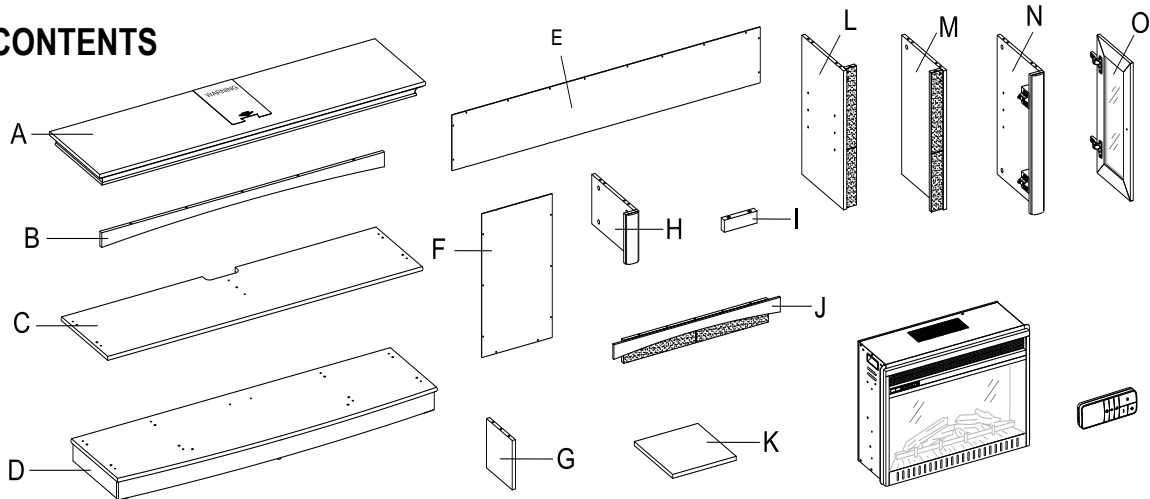
**NOTE:** Hardware not shown to actual size.



Part	Description	Quantity
AA	Cam lock	30 + 1 extra
BB	Cam bolt	30 + 1 extra
CC	Wood dowel	34 + 1 extra
DD	Long screw	4 + 1 extra
EE	Short screw	4 + 1 extra
FF	Metal plate screw	8 + 1 extra
GG	Back panel screw	36 + 1 extra
HH	Bolt	2 + 1 extra
II	Metal plate	4

Part	Description	Quantity
JJ	Cam lock cover	30 + 1 extra
KK	Shelf pin	8 + 1 extra
LL	Handle	2
MM	Handle bolt	2
NN	Rubber bumper	4 + 1 extra
OO	Acrylic stopper	1
PP	Glue	1
QQ	Touch-up pen	1
RR	Tipping restraint hardware kit	2

## PACKAGE CONTENTS



Part	Description	Quantity
A	Top panel	1
B	Top front stretcher	1
C	Center shelf	1
D	Base	1
E	Upper back panel	1
F	Lower back panel	2
G	Upper partition panel	1
H	Upper side panel	2
I	Firebox support	1

Part	Description	Quantity
J	Middle crossbar assembly	1
K	Adjustable shelf	2
L	Lower left partition panel	1
M	Lower right partition panel	1
N	Lower side panel	2
O	Door	2
	Fireplace insert	1
	Remote control with battery	1

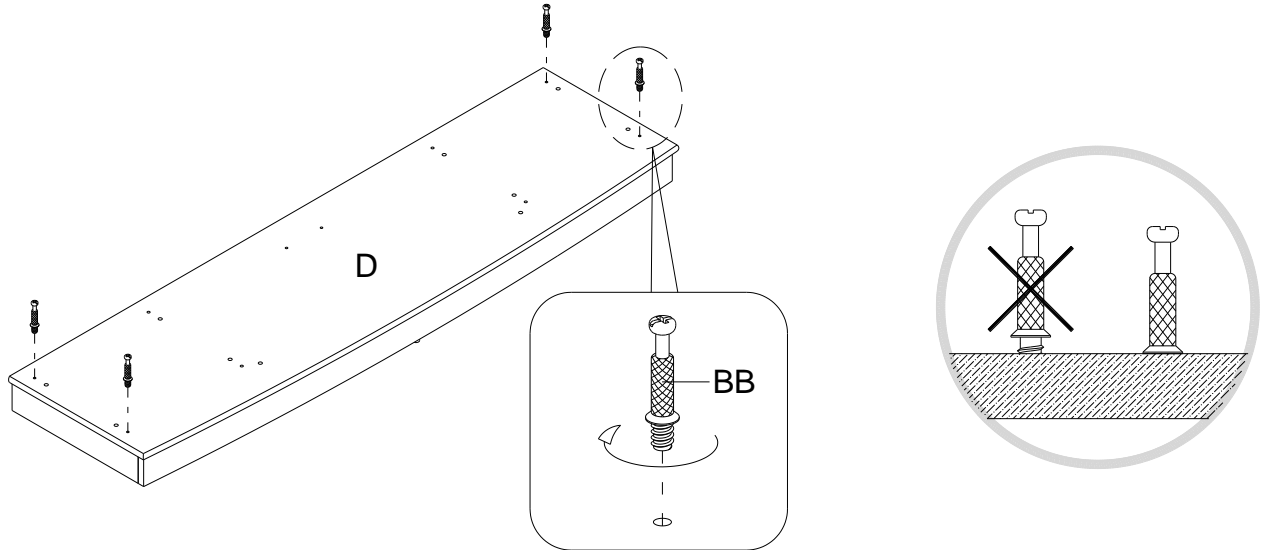
# Assembly

## 1 Screwing the cam bolts



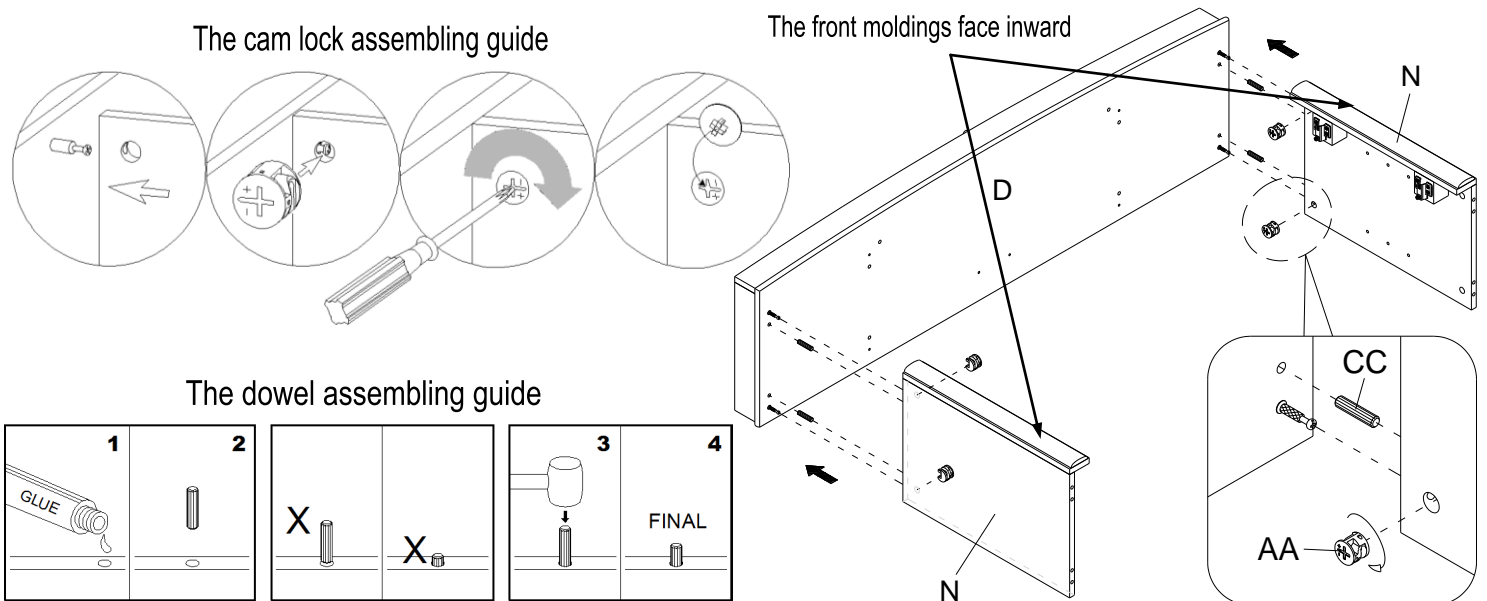
**NOTE:** Do not fully tighten all bolts until you finish assembling all parts. Once assembled, go back and fully tighten all bolts. This will make the assembly easier.

- Unpack the unit and confirm that you have all the hardware and required parts listed. Assemble the unit on a carpeted floor or the empty carton to avoid any scratch.
- Securely screw four cam bolts (BB) into the designated small holes on the base (D). Fully tighten with a phillips screwdriver.



## 2 Attaching the lower side panels

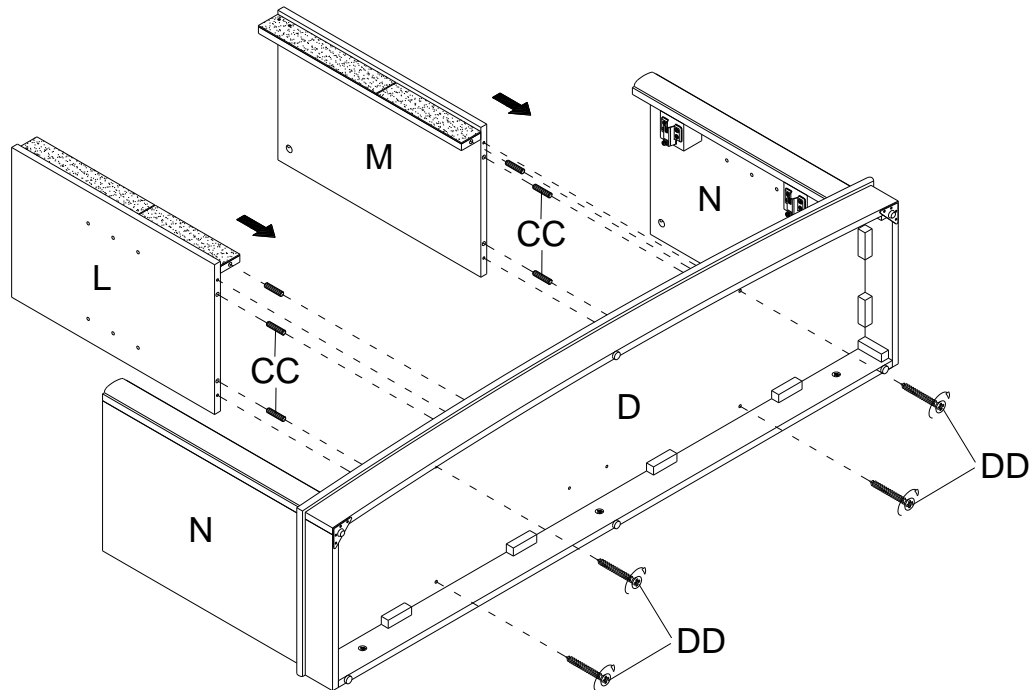
- Insert two wood dowels (CC) into the inner holes of each lower side panel (N) and attach them to the base (D) by using four cam locks (AA), as shown cam lock system operation.



## Assembly (continued)

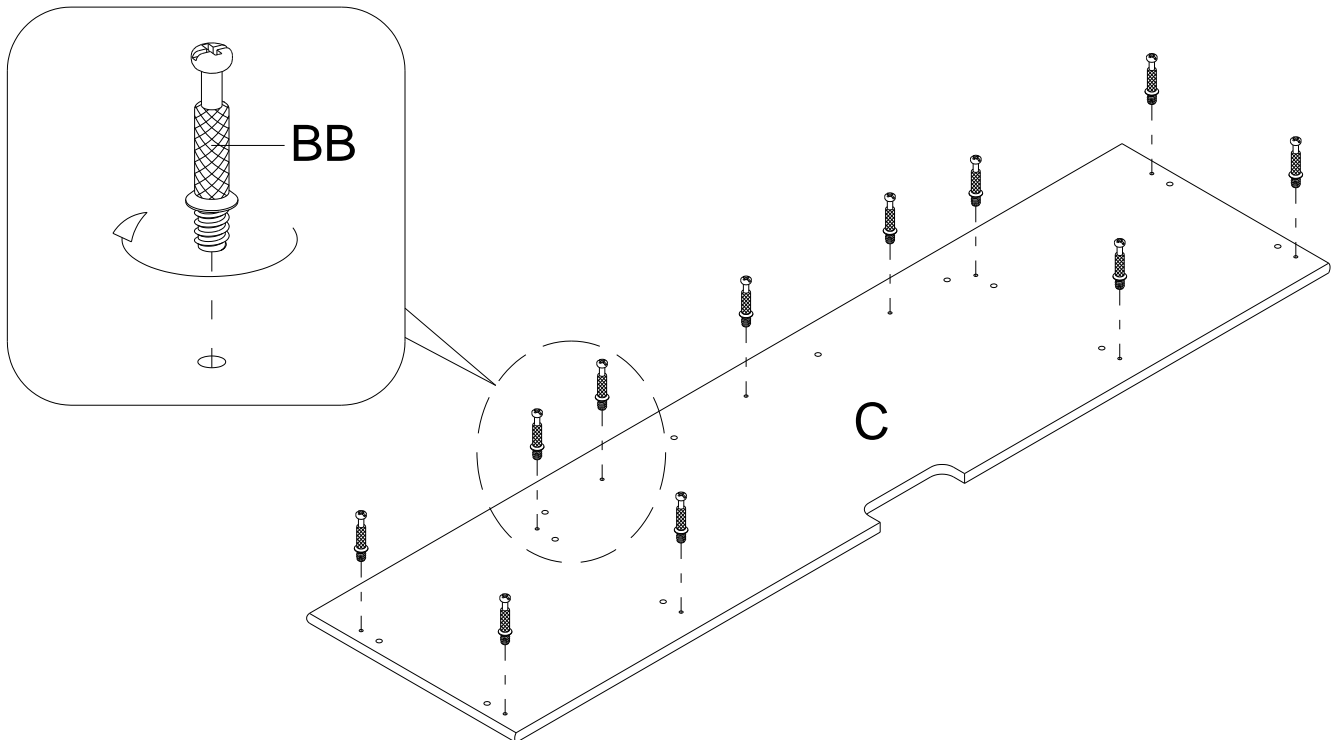
### 3 Attaching the lower partition panels

- Insert six wood dowels (CC) into the inner holes of the lower partition panels (L and M) and attach them to the base (D) by using four long screws (DD).



### 4 Screwing the cam bolts

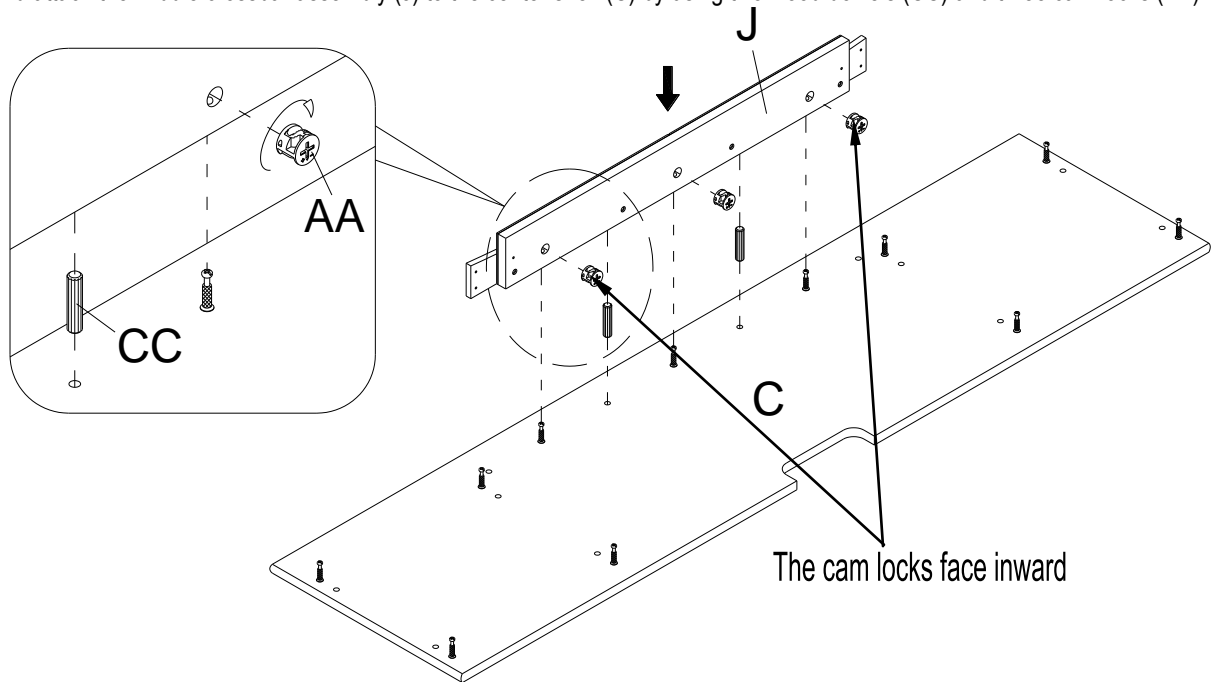
- Securely screw eleven cam bolts (BB) into the designated small holes on the center shelf (C). Fully tighten with a phillips screwdriver.



## Assembly (continued)

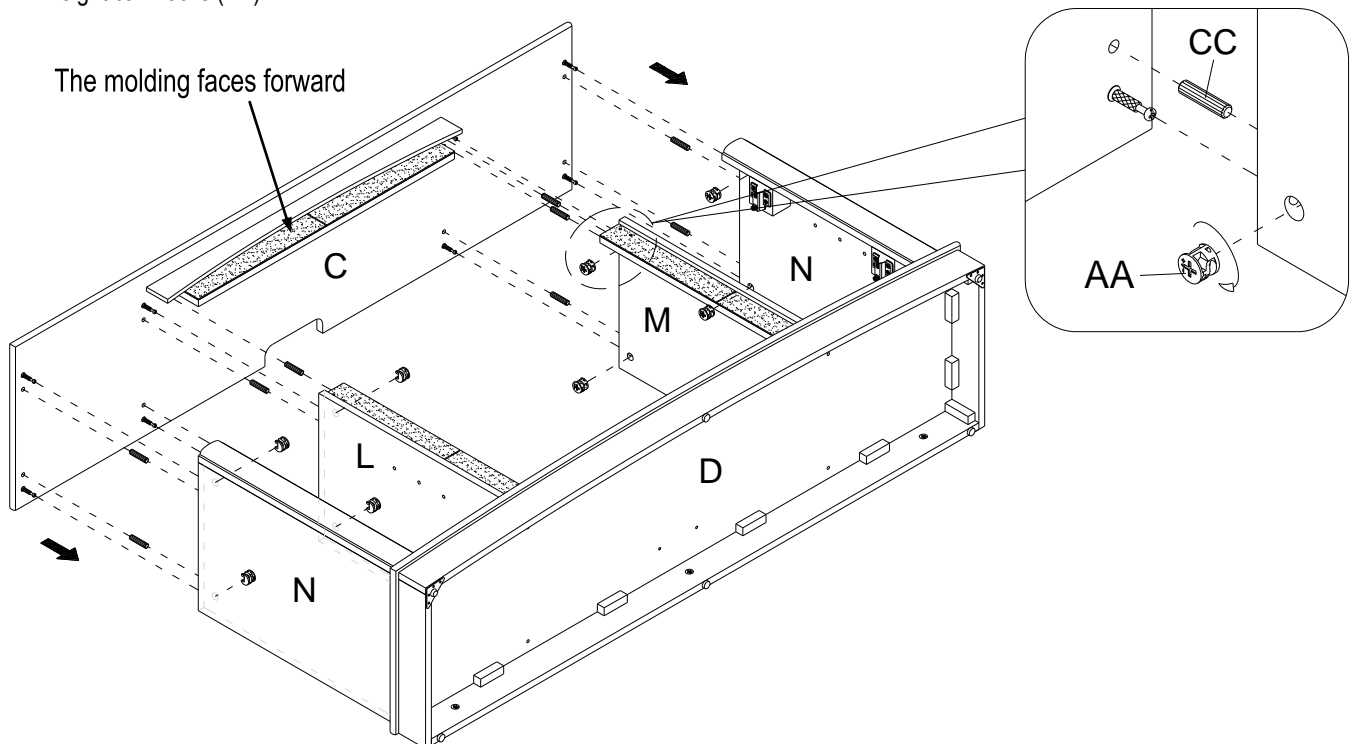
### 5 Attaching the middle crossbar assembly

- Align and attach the middle crossbar assembly (J) to the center shelf (C) by using two wood dowels (CC) and three cam locks (AA).



### 6 Installing the center shelf assembly

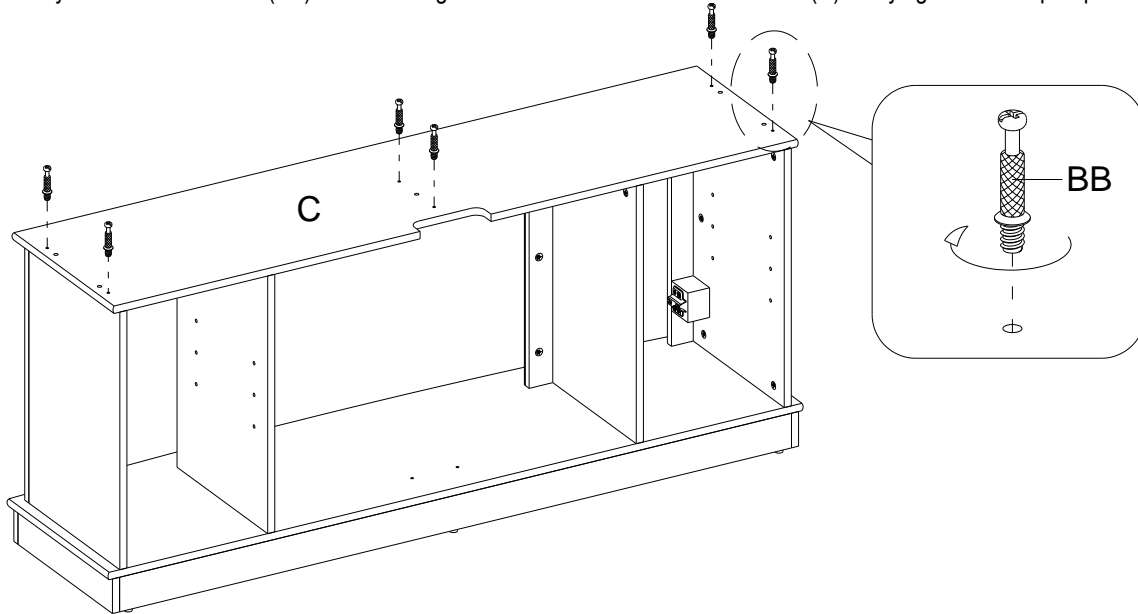
- Insert ten wood dowels (CC) into the top inner holes of the lower panels (L, M and N).
- Ask for assistance to position the center shelf (C) onto the inserted wood dowels (CC). Attach the center shelf (C) in place by engaging eight cam locks (AA).



# Assembly (continued)

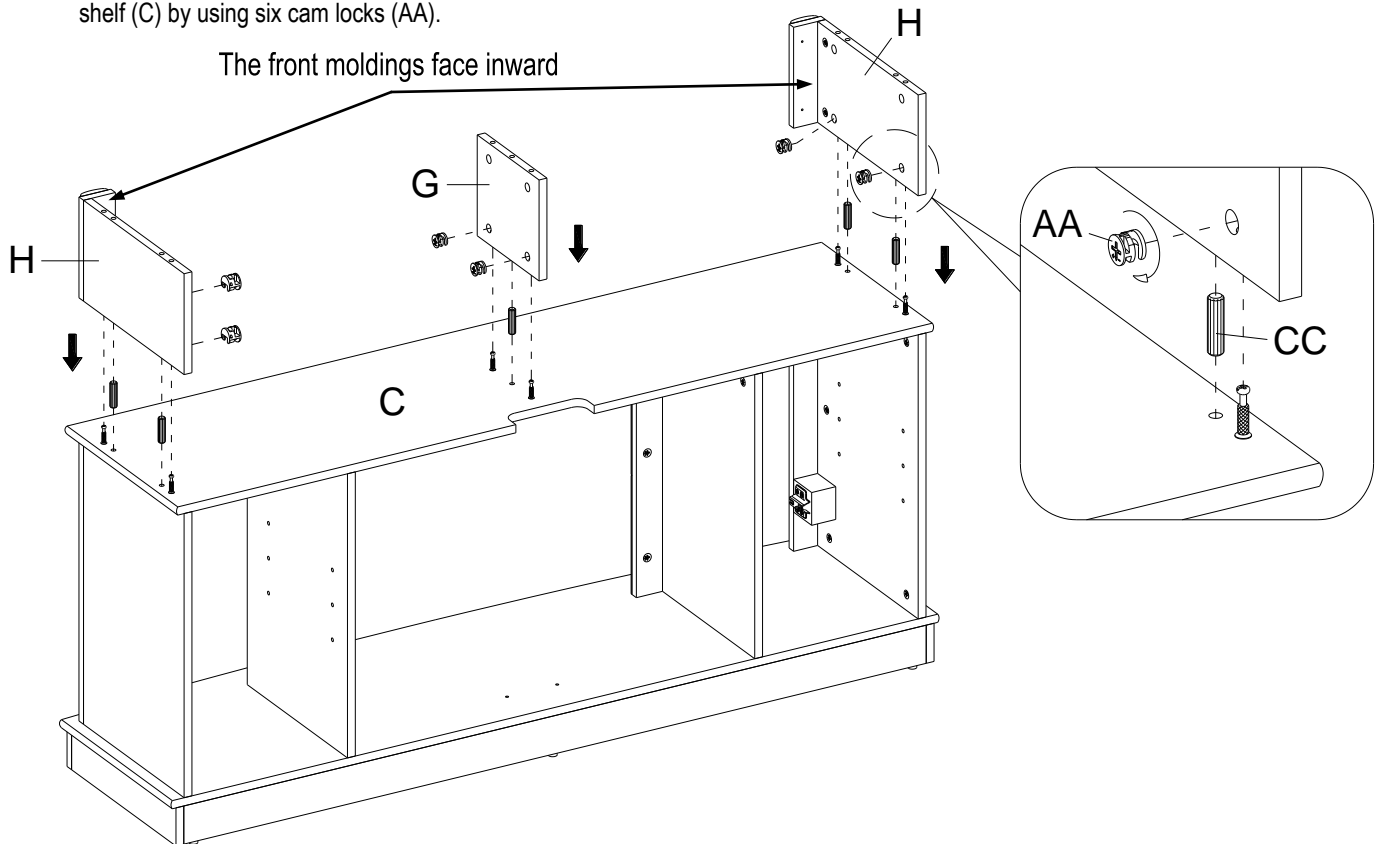
## 7 Screwing the cam bolts

- Stand last assembly upright.
- Securely screw six cam bolts (BB) into the designated small holes on the center shelf (C). Fully tighten with a phillips screwdriver.



## 8 Installing the upper side and partition panels

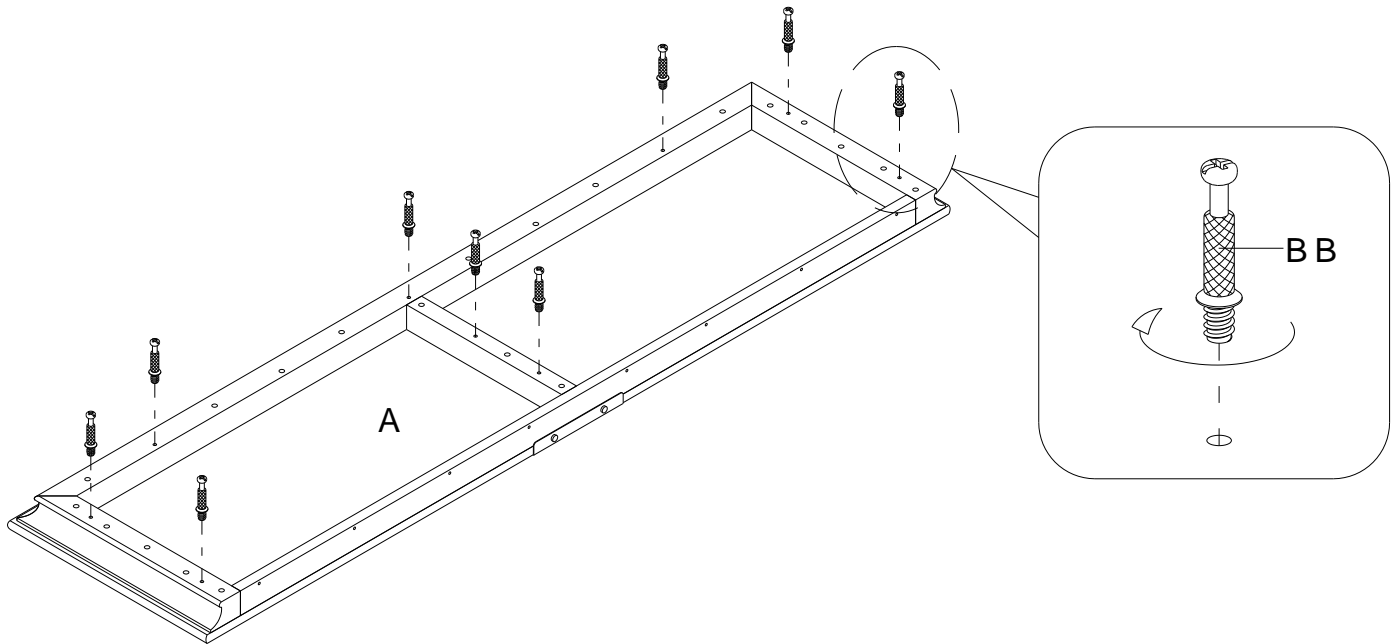
- Insert five wood dowels (CC) into the inner holes of the upper side panels and partition panel (H and G) and attach them to the center shelf (C) by using six cam locks (AA).



## Assembly (continued)

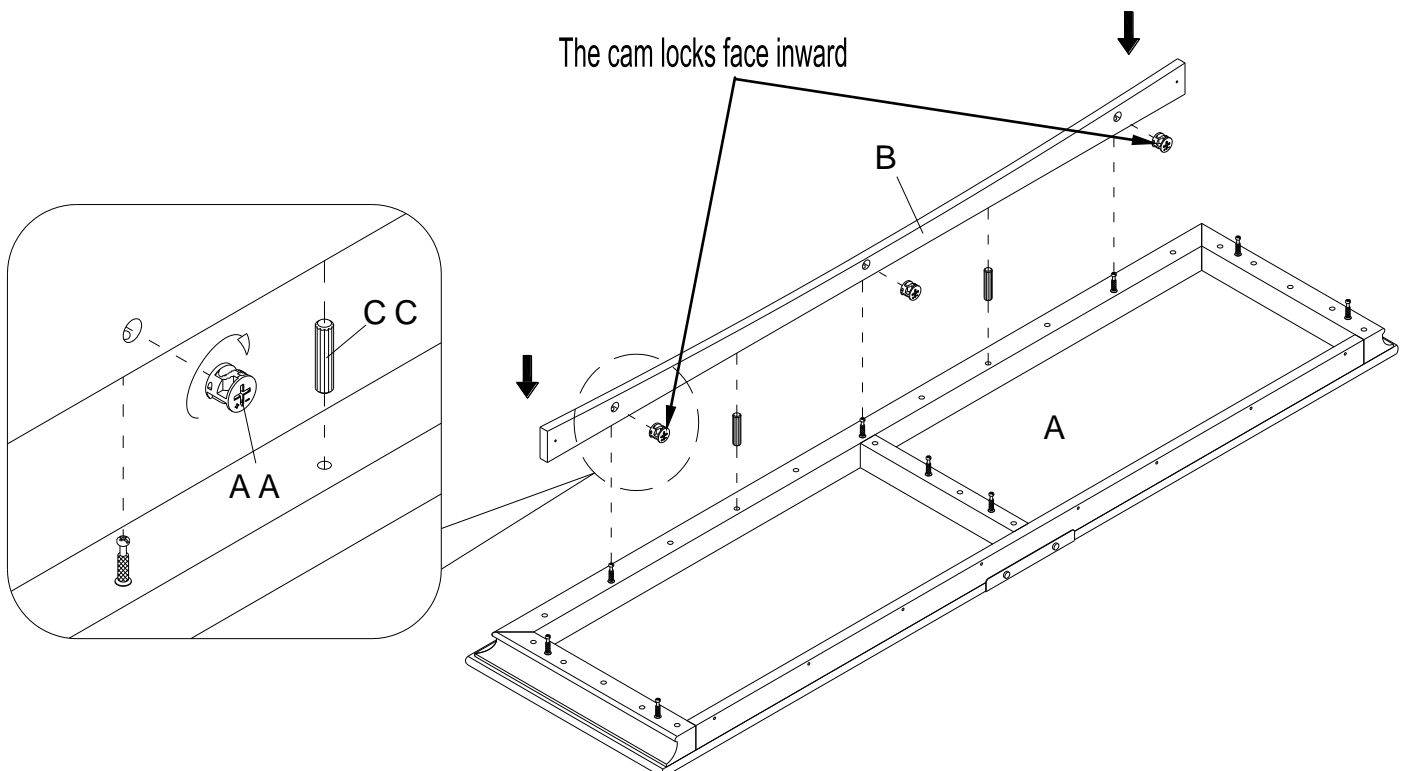
### 9 Screwing the cam bolts to top panel

- Securely screw nine cam bolts (BB) into the designated small holes on the top panel (A). Fully tighten with a phillips screwdriver.



### 10 Installing the top front stretcher

- Align and attach the top front stretcher (B) to the top panel (A) by using two wood dowels (CC) and three cam locks (AA).

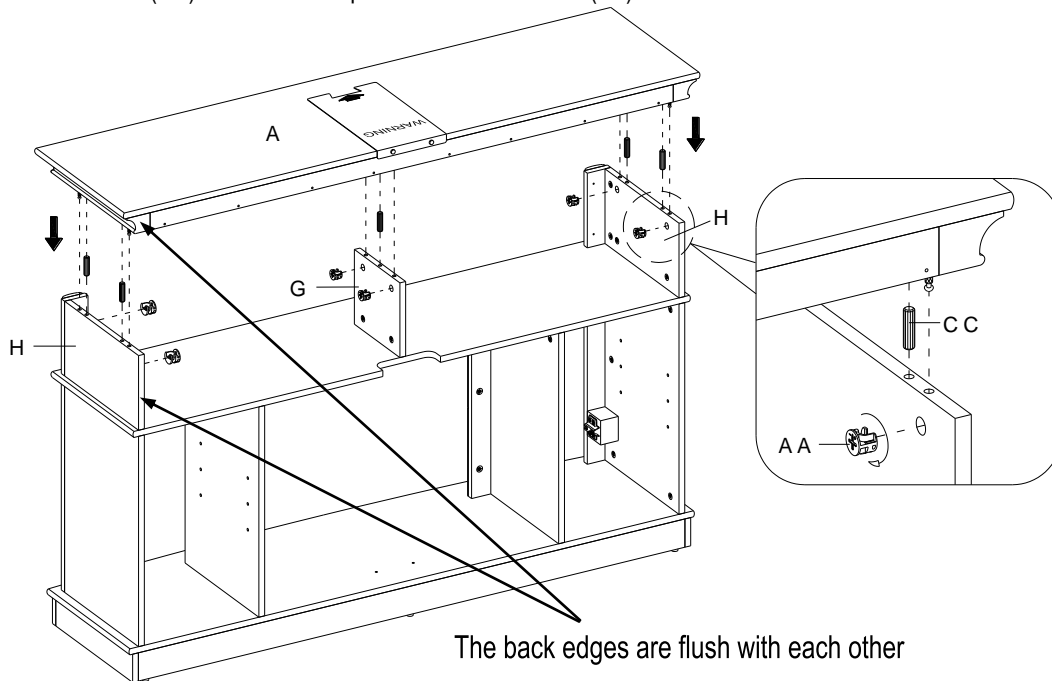




# Assembly (continued)

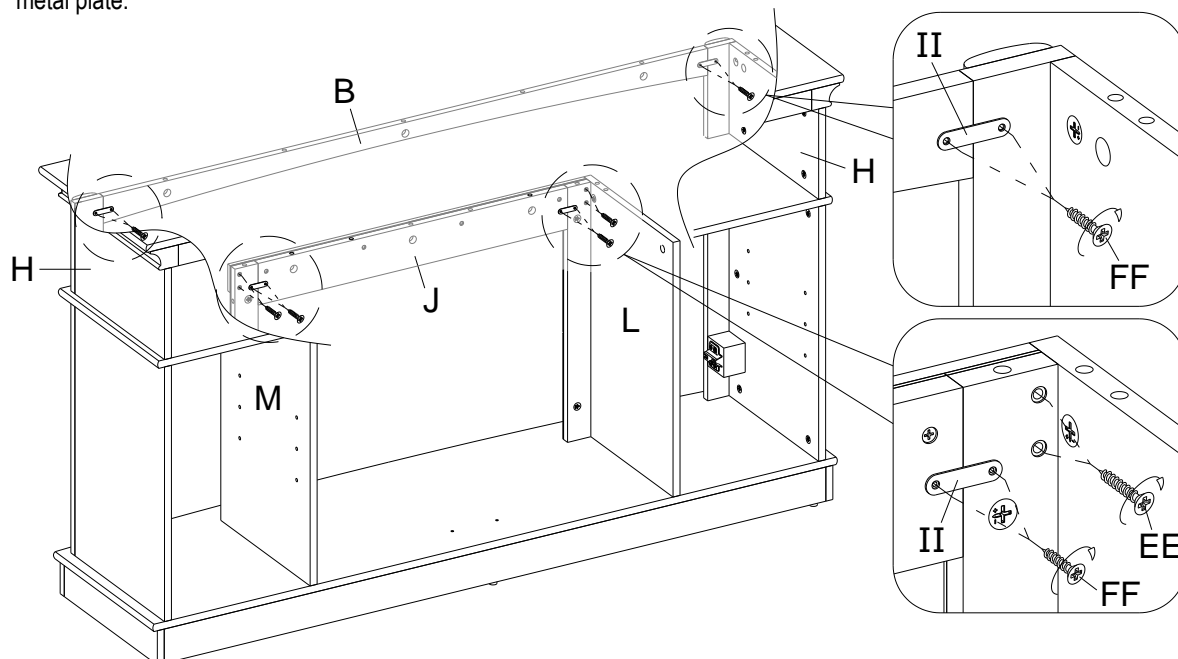
## 11 Attaching the top panel

- Insert five wood dowels (CC) into the inner holes of the upper side panels and partition panel (H and G). Position the top panel (A) onto the inserted wood dowels (CC) and fasten it in place with six cam locks (AA).



## 12 Installing the metal plate

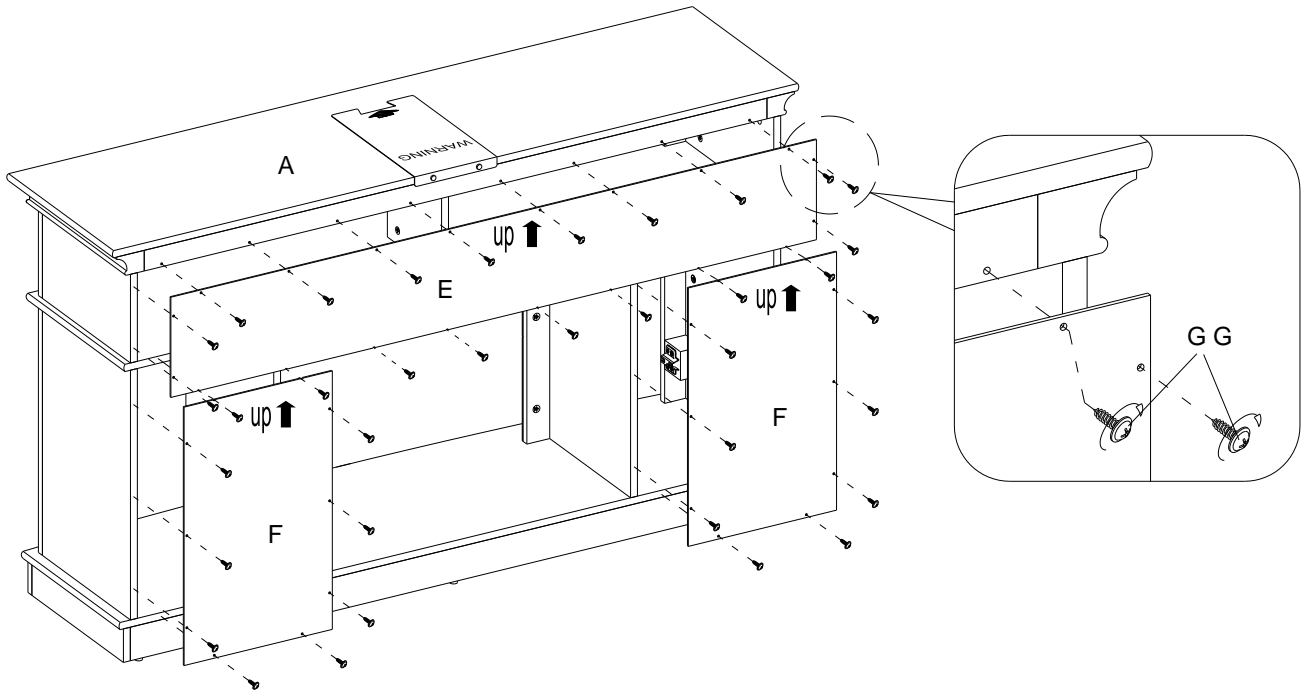
- Fasten the middle crossbar assembly (J) to the front molding of lower partition panels (L and M) by attaching two metal plates (II) at the joints, using two screws (FF) in each. Proceed to secure the front stretcher of middle crossbar assembly (J) in place by using two short screws (EE) per each end. As shown.
- Fasten the top front stretcher (B) to the upper side panels (H) by attaching two metal plates (II) at the joints, using two screws (FF) per metal plate.



## Assembly (continued)

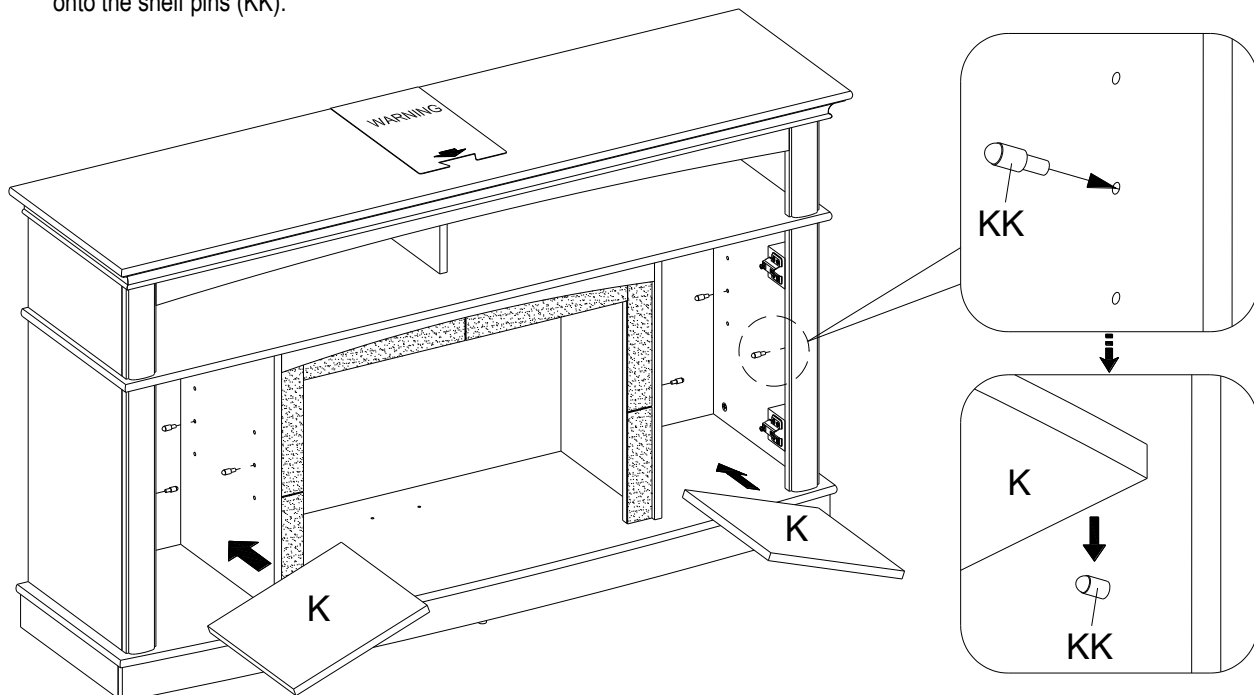
### 13 Attaching the back panels

- Pick up the upper back panel (E) and align the drilled holes with the pilot holes on the back stretcher of top panel (A). Attach the back panel (E) in place using the provided washer head screws (GG).
- Attaching two lower back panels (F) in place with the provided washer head screws (GG).



### 14 Installing the adjustable shelves

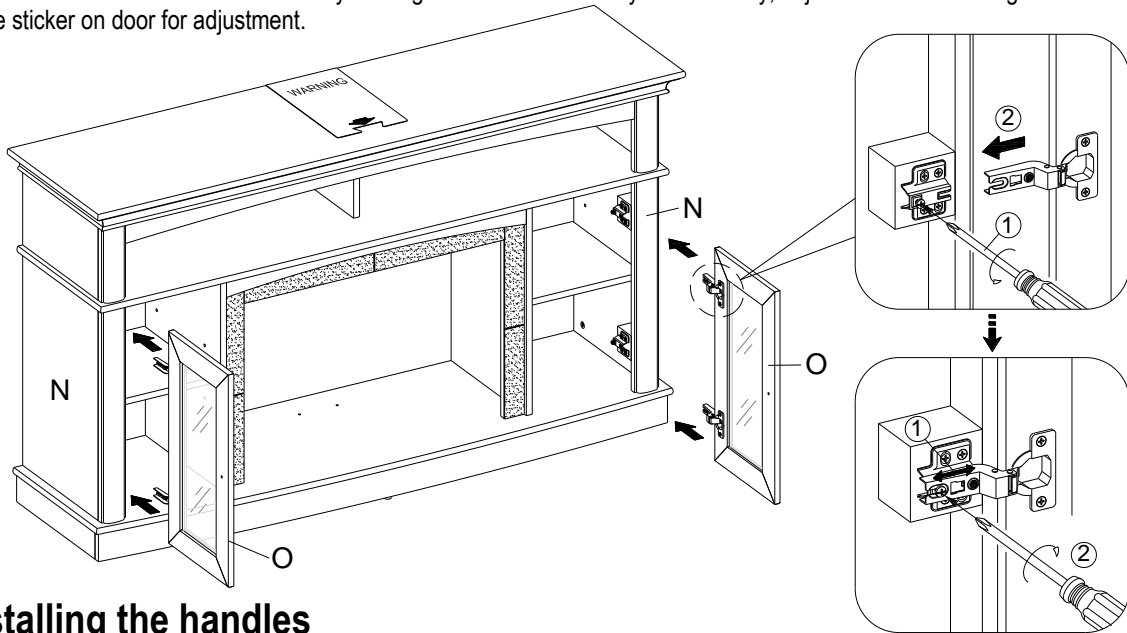
- Insert four shelf pins (KK) into the holes at your desired height inside each side compartment. Tilt and rest the adjustable shelves (K) onto the shelf pins (KK).



## Assembly (continued)

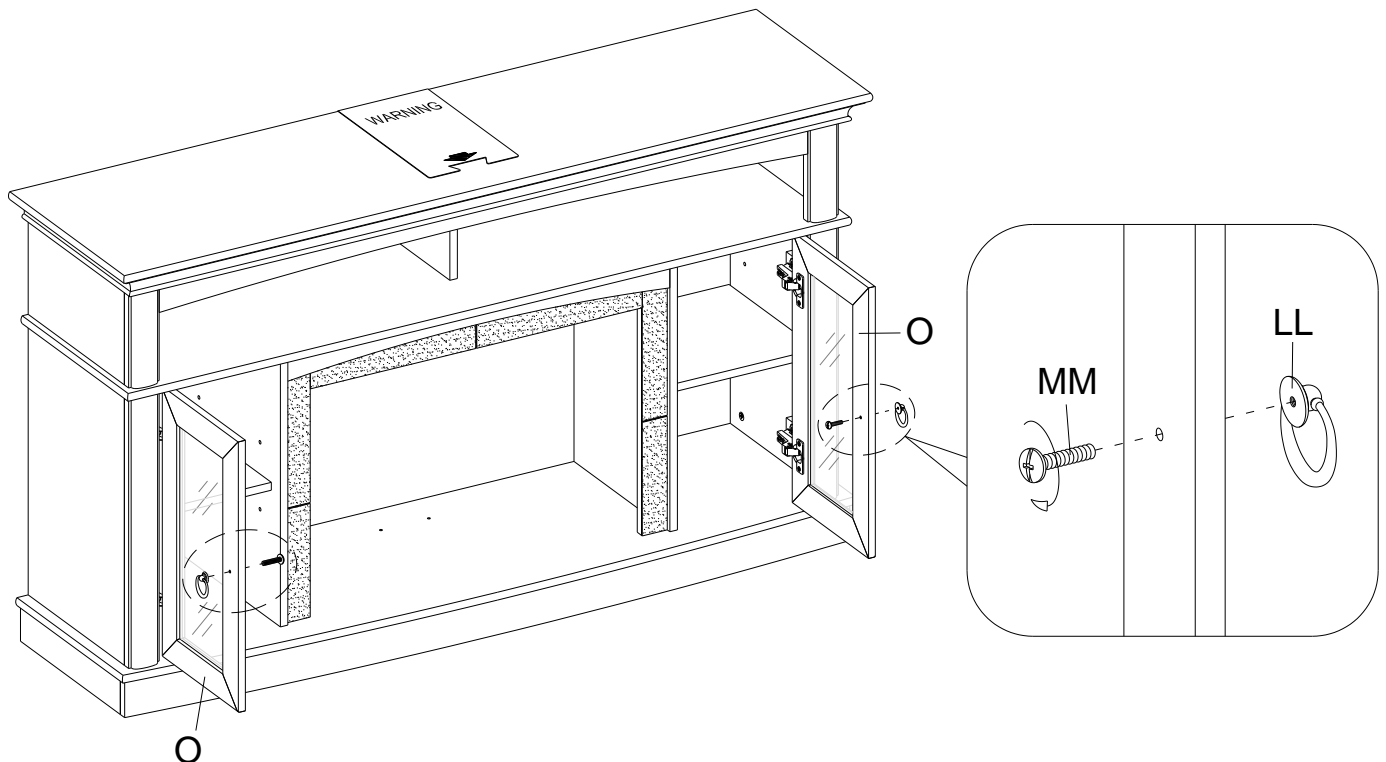
### 15 Attaching the doors

- Pick up one door (O) and attach the extended hinge arms to the hinge bases installed on one side panel (N). Loosen the bolt on the back of hinge base for an easy fit. Align and insert the "U" slot on hinge arm under the bolt head on the back of hinge base. Make sure that both door hinges engage and function properly. Tighten the bolt on the Hinge Base to lock the hinges in place.
- Repeat the procedure to attach the other door (O) at the opposite side.
- Open and close the doors to make sure they are aligned and shut correctly. If necessary, adjust the screws for a good fit. Refer to the hinge sticker on door for adjustment.



### 16 Installing the handles

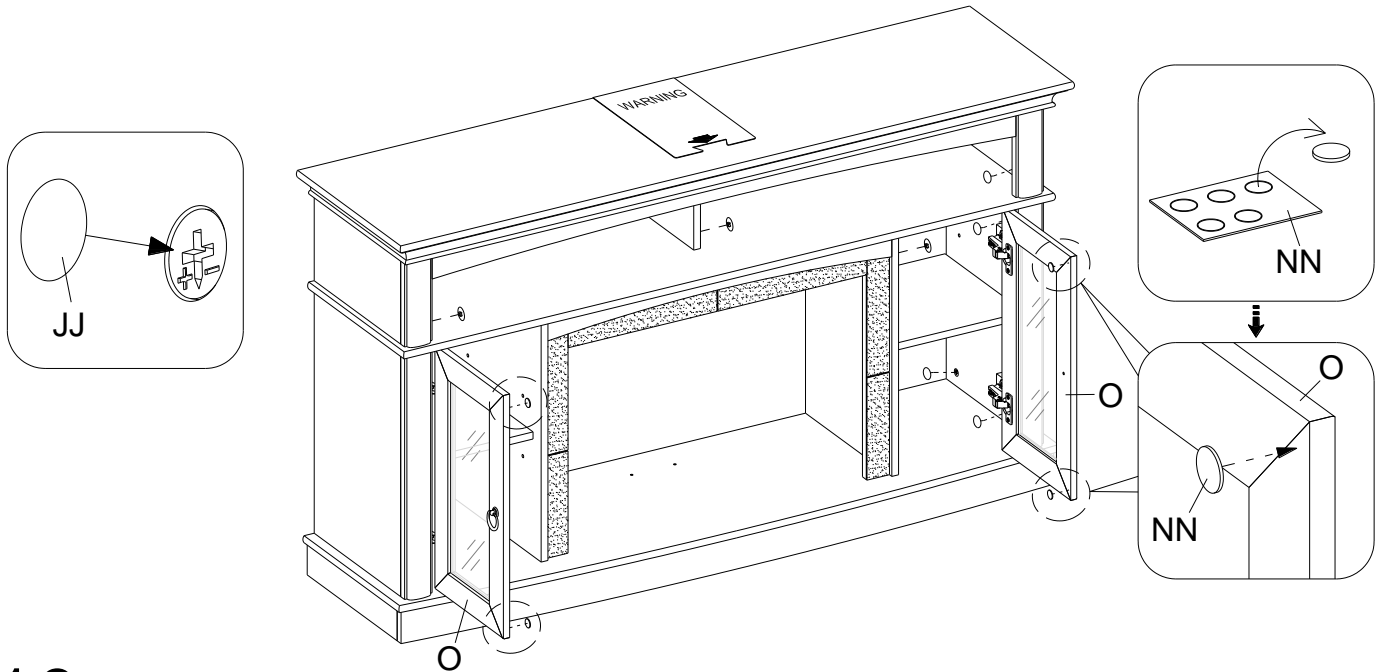
- Attach one handle (LL) to the front side of each door with the provide knob bolt (MM).



## Assembly (continued)

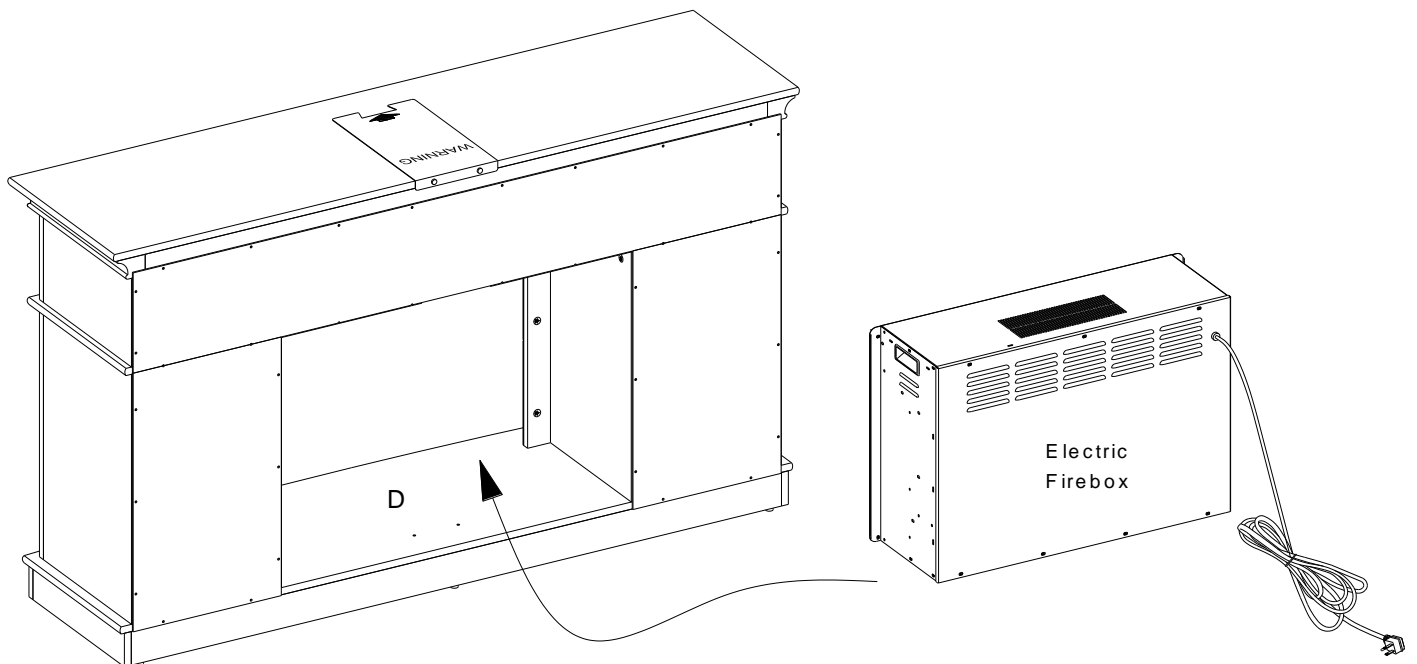
### 17 Attaching the rubber bumpers and cam lock covers

- Plug the cam lock covers (JJ) onto the visible cam locks to conceal the cams.
- Stick the rubber bumpers (NN) at the outer corners of both doors (O) as shown.



### 18 Installing the fireplace insert

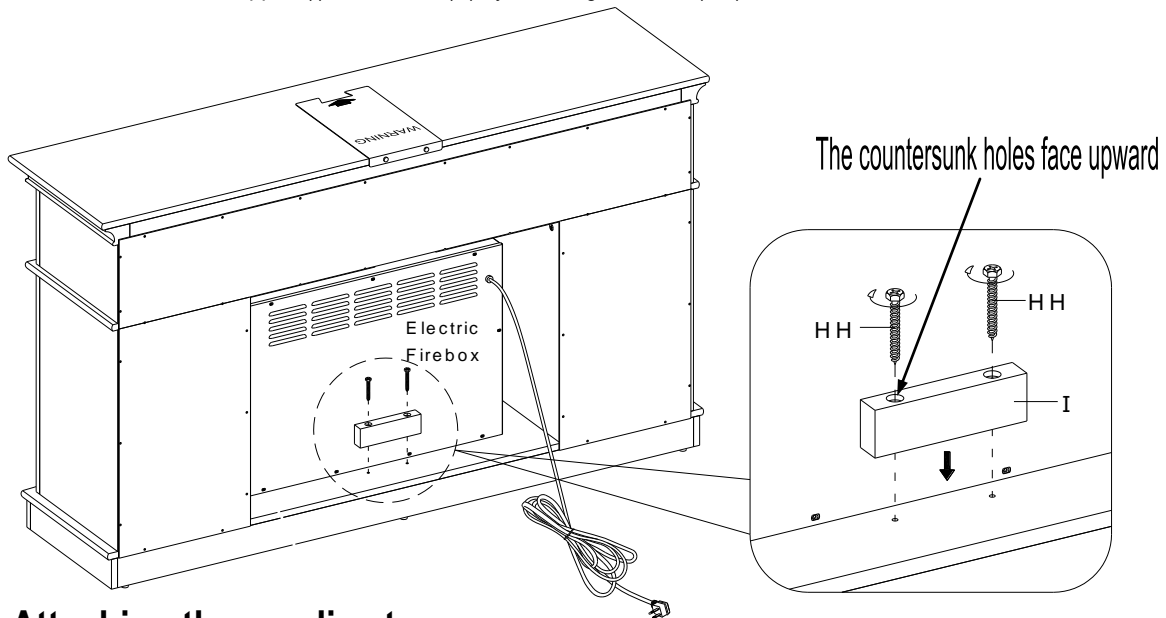
- Lift the fireplace insert carefully into the back of the assembled mantel and center it in the opening. DO NOT drag the insert across the bottom panel (D) as it may scratch the unit.



## Assembly (continued)

### 19 Attaching the firebox support

- Align and attach the firebox support (I) to the base (D) by screwing two bolts (HH) into the countersunk holes.

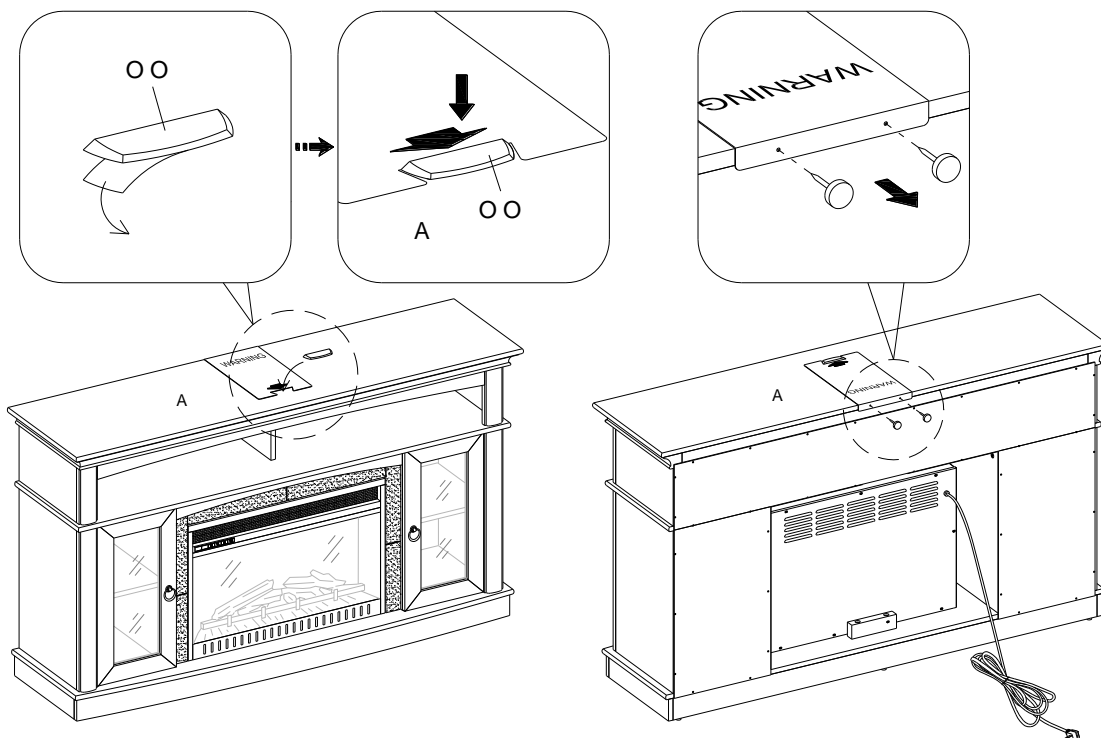


### 20 Attaching the acrylic stopper



**NOTE:** You must install the Acrylic TV Stopper to prevent TV from tipping when placing your flat panel television on the table-top

- Remove the paper backing of acrylic stopper (OO), then properly align the acrylic stopper into the cut-out on the acrylic stopper template on the front of the top panel (A). Press down on the acrylic stopper to help adhesion.
- At the back of the top panel (A), carefully unscrew the two thumb tacks to remove the acrylic stopper template.



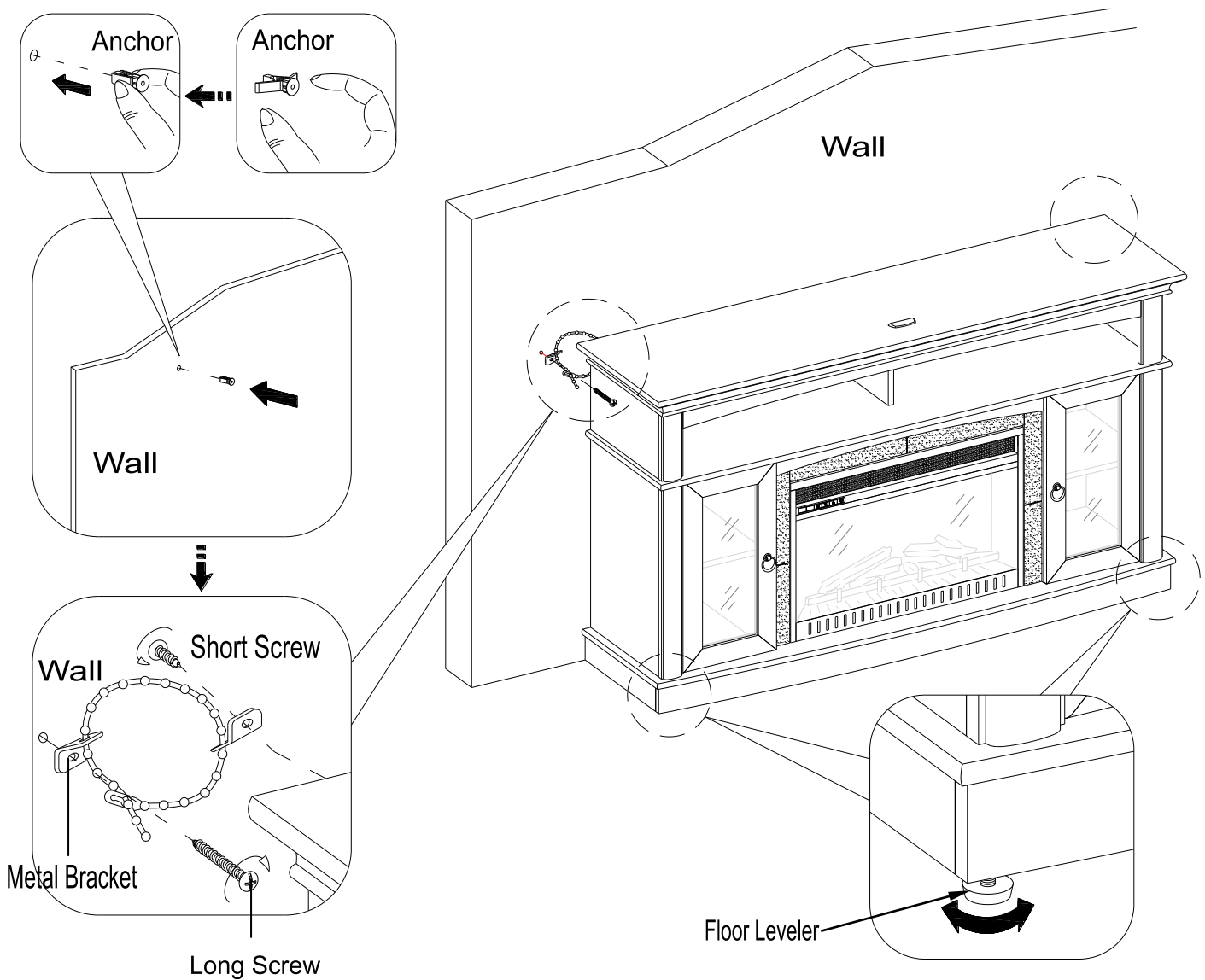
## Assembly (continued)

# 21 Installing the tipping restraint hardware



**NOTE:** Young children can be seriously injured by tipping furniture. You must install the tipping restraint hardware with the unit to prevent the unit from tipping, causing any accidents or damage. The tipping restraints are intended only as a deterrent, they are not a substitute for proper adult supervision. The tipping restraints are not earthquake restraints. If you wish to add the extra security of earthquake restraints, they must be purchased and installed separately.

- With assistance, position the assembled fireplace at the desired location against a wall. In case of uneven floor, floor levelers are provided at the bottom of the mantel. If necessary, adjust the floor levelers by hand to correct tilting, until the unit is level.
- Follow the instructions printed on the plastic bag containing the tipping hardware to attach the tip-over restraint to the unit and the wall.
- Connect the fireplace to the power transformer. Follow the operating manual for the electric fireplace insert to control your fireplace.



# Care and Maintenance

---

A Touch-up Pen has been provided to repair any small nicks or scratches that may occur during assembly or shipping.

To clean and care for your furniture:

- Use a soft, clean cloth that will not scratch the surface when dusting.
- Use of furniture polishes is not necessary. Should you choose to use polishes, test first in an inconspicuous area.
- Using solvents of any kind on your furniture may damage the finish.
- Never use water to clean your furniture as it may cause damage to the finish.
- Always use coasters under beverage glasses and flowerpots.
- Liquid spills should be removed immediately. Using a soft clean cloth, blot the spill gently. Avoid rubbing.
- Always use protective pads under hot dishes and plates. Heat can cause chemical changes that may create spotting within the furniture finish.
- Stains or marks from crayons or ink markers will be difficult to remove.
- In the event that your furniture is stained or otherwise damaged during use, we recommend that you call a professional to repair your furniture.
- Check bolts/screws periodically and tighten them if necessary.

## CARING FOR WOOD FURNITURE

It is best to keep your furniture in a climate-controlled environment. Extreme temperature and humidity changes can cause fading, warping, shrinking and splitting of wood. It is advised to keep furniture away from direct sunlight as sun may damage the finish.

Proper care and cleaning at home will extend the life of your purchase. Following these important and helpful tips will enhance your furniture as it ages.

## CLEANING THE FIREPLACE TRIM

Clean the metal trim using a soft cloth, slightly dampened with citrus oil based product and buff with a clean soft cloth. DO NOT use brass polish or household cleaners as these products will damage the metal trim. Citrus oil based products can be obtained at supermarkets or hardware stores.

# HOME DECORATORS COLLECTION

Questions, problems, missing parts? Before returning to the store,  
call Home Decorators Collection Customer Service  
8 a.m. - 6 p.m., EST, Monday-Friday

**1-800-986-3460**

**[HOMEDEPOT.COM/HOMEDECORATORS](http://HOMEDEPOT.COM/HOMEDECORATORS)**

Retain this manual for future use.