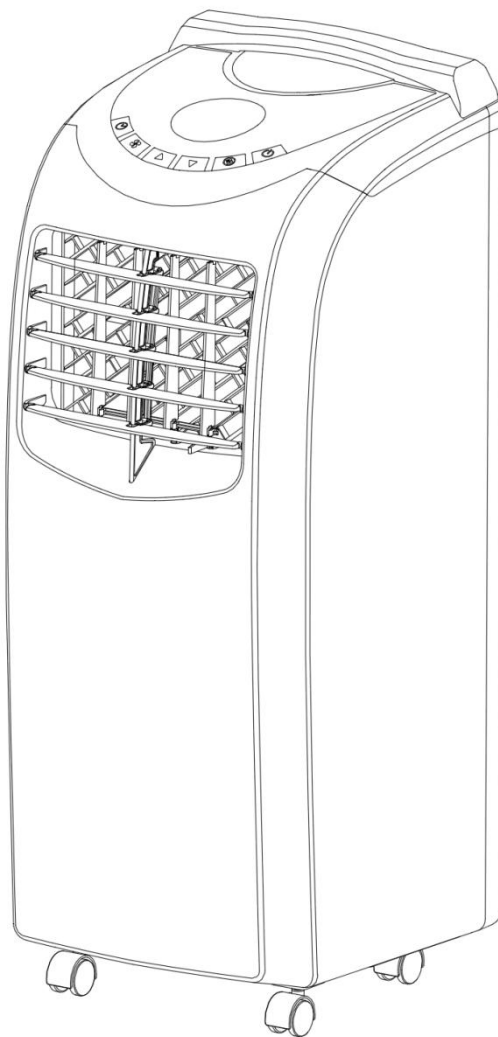




Portable Air-conditioner Use and Care Manual



Model: NPA1

Thank you very much for selecting this new model of Portable Air Conditioner, please read this Use and Care Manual carefully before installing and using this appliance. Please keep this Use and Care Manual properly for future reference.

Contents

Safety Instructions.....	2
Functions and Technical Specification.....	4
Features and Identification of Parts.....	4
Operation and Settings.....	6
Protection.....	9
Handling and Transportation.....	10
Installation and Adjustment	10
Drainage Instruction.....	13
Maintenance and Service.....	15
End of Season Storage	16
Troubleshooting.....	16
Appendix.....	17

Safety Instructions

1. Electrical Specifications

1. All wiring must comply with local and national electrical codes and be installed by a qualified electrician. If you have any questions regarding to the following instructions, contact a qualified electrician.
2. The unit must be installed in accordance with national wiring regulations. Check available power supply and resolve any wiring problems before installation and operation of this unit.
3. For your safety and protection, this unit will be grounded through the power cord plug when plugging into a matching wall outlet. If you are not sure whether the wall outlet at your home are properly grounded, please consult an electrician. If supply cord is damaged, it must be replaced by the manufacturer, its service agent or similarly qualified person in order to avoid any hazards.
4. This appliance is not intended for people (including children) with reduced physical, sensory or mental capabilities, or lack of experience and knowledge, unless they have been given supervision or instruction concerning use of the appliance by a person responsible for their safety. Young children should be supervised to ensure that they do not play with the appliance

2. WARNING:

To reduce the risk of fire, electrical shock or injury when using your air conditioner, follow up these basic precautions:

- ※ Indoor use only, it is prohibited to use this unit outdoors or in humid environment such as bathroom etc.
- ※ Do not remove ground prong.
- ※ Do not use an adapter.
- ※ Do not use an extension code.
- ※ Never share the power outlet with other appliances.
- ※ Never connect or disconnect the power plug with wet hands to avoid electric shocks.
- ※ Never turn off the unit by unplugging.
- ※ Unplug air conditioner before servicing.
- ※ Never dismantle, repair or modify the unit without authorization to avoid body injury or property damage, be sure it repaired by manufacturer or professionals.
- ※ Never put any objects into the unit.
- ※ Never cover or obstruct air inlet or outlet to prevent overheating.
- ※ Never hit or shake the unit to prevent damage.
- ※ Never spray water or place the unit near water to prevent electric shocks.
- ※ Never place the unit near gas appliances, fire or flammable liquids.
- ※ Move and install the unit by two or more people.
- ※ Keep children away from the unit.
- ※ This appliance can be used by children aged from 8 years and above and persons with reduced physical, sensory or mental capabilities or lack of experience and knowledge if they have been given supervision or instruction concerning use of the appliance in a safe way and understand the hazards involved. Children shall not play with the appliance. Cleaning and user maintenance shall not be made by children without supervision

3. Cautions:

- ※ Keep the unit at least 1 meter away from TV or radios to avoid electromagnetic interference.
- ※ Do not expose the unit under direct sun light to avoid surface color fading.
- ※ Do not tilt the unit for more than 35 degrees or upside-down while transporting.
- ※ Place the unit on a flat surface and upright with less than 5 degrees inclination.
- ※ The unit operates more efficiently in certain room locations (see Installation and Adjustment).
- ※ Keep the drain hose in good condition without flexure then connect with unit.
- ※ Manually adjust the vertical and horizontal louvers slightly to protect louvers from any damage.
- ※ Empty the condensed drainage pan before putting the unit in storage to prolong the unit lifetime end of the season.
- ※ Do not use chemical solvents (e.g. benzene, alcohol-glazer) to clean the unit surface, do not scratch or damage the unit.
- ※ Make sure to cut off the power before disassembling or installing the filter.

Remark: Do not use this unit in cooling mode if the ambient temperature is higher than 35°C

Function and Technical Specification

- ※ This unit offers cooling, dry, fan and sleep modes, idea for home and office use;
- ※ This unit is with two fan-speed levels accessible by panel control and remote control.
- ※ Temperature setting range of this unit is 17-30°C.
- ※ This unit is designed with various protection functions such as 24-hour programmable timer, auto condenser circle, super intelligent temperature sensor and water-full control and warning etc.

Technical Specification:

Model		Unit	NPA1-08C
Power Supply		V~,Hz,Ph	110~120,60,1
Cooling Capacity		kW	2.35
Refrigerant/Charge		oz	R410A/14.46
Rated input	Cooling	W	850
Rated Current	Cooling	A	8.0
Moisture Removal		L/h	1.1
Air Circulation		m ³ /h	380
Noise	High	dB(A)	56
	Low	dB(A)	50
Body Size	W×H×D	inch	11.8×30.9×14
Package Size	W×H×D	inch	15.7×34.8×21.3
Net Weight/Gross Weight		lbs	49.6/66.1
Application Area		m ²	10~14

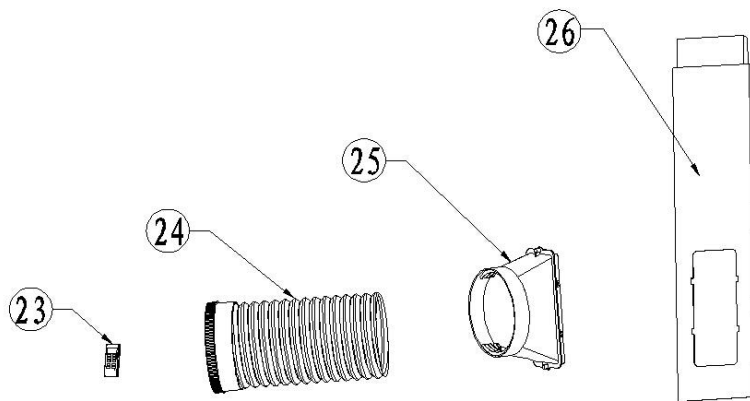
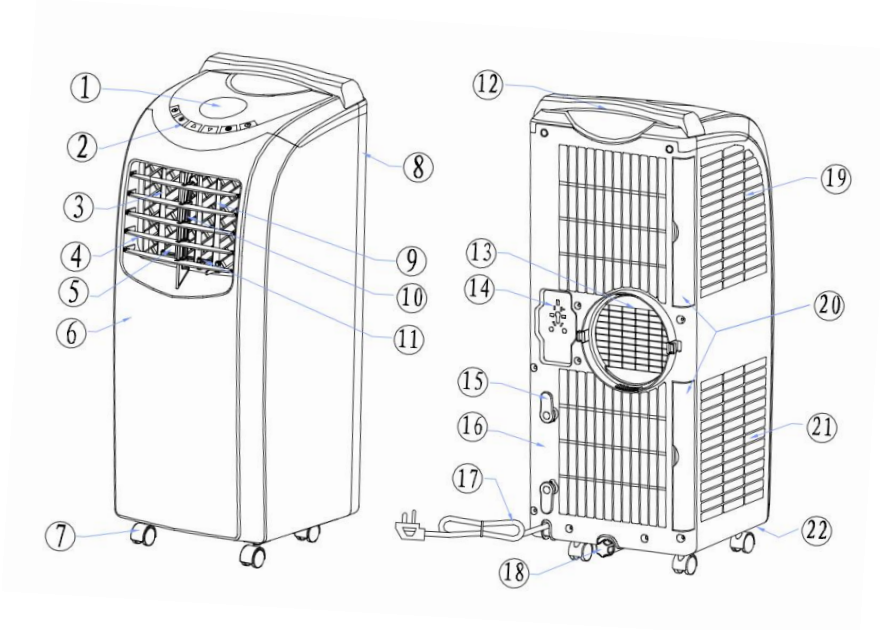
Remark: The above cooling capacity is measured under standard working condition of ambient temperature dry-bulb 35°C , wet-bulb 24°C (Indoor and outdoor, the same conditions)

Features and Identification of Parts

1. Features

- ※ New appearance and compact design.
- ※ Both horizontal and vertical louvers can be manually adjusted to enhance cooling performance.
- ※ Humanized pushing handle design.
- ※ Remote control and LED panel control, more visualized.
- ※ Power cord winding pillar with universal plug fixing holes to well protect the power cord.
- ※ High position of exhaust air outlet, easy assembly and exhaust air venting quickly.
- ※ 24-hour timer function, unique on/off reminding music.
- ※ 3-minute delay re-starting protection to compressor and other multiple protection functions.
- ※ Unique exhaust hose and fasteners design, convenient installation.

2. Identification of Parts:

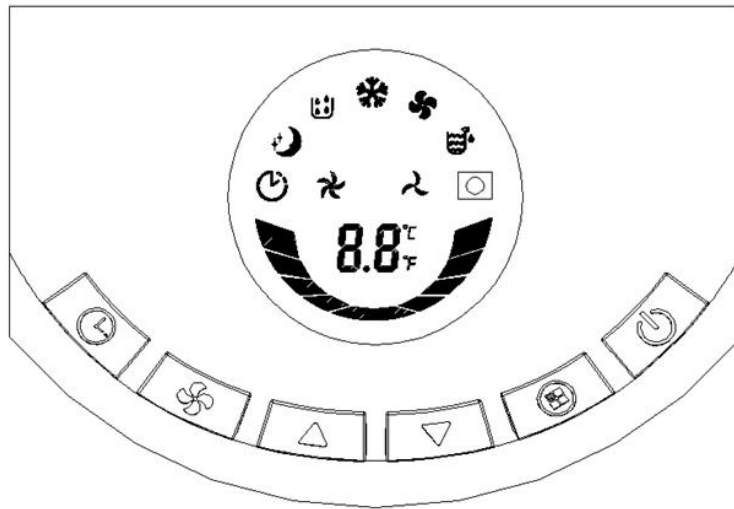


- | | |
|---|---------------------------------|
| 1. LED Display | 14. Universal plug fixing holes |
| 2. Operational Buttons | 15. Wire winding pillar |
| 3. Vertical louvers | 16. Back Panel |
| 4. Horizontal louvers | 17. Power cord |
| 5. Air Outlet Window | 18. Drain hole and cover |
| 6. Front Panel | 19. Filter |
| 7. Universal Wheel | 20. Filters |
| 8. Back Panel | 21. Filter |
| 9. Main Vertical Louver | 22. Chassis |
| 10. Horizontal louvers connecting rod | 23. Remote controller |
| 11. Vertical louvers connecting rod | 24. Exhaust hose assembly |
| 12. Handle | 25. Exhaust hose adapter |
| 13. Protective Grid of exhaust air outlet | 26. Window Seal-Plate Assembly |

Operation and Setting

This section explains proper mobile air conditioner operation

1. Control Panel



	On/Off button		Mode button		Up button
	Timer button		Fan speed button		Down button
	Timer indicator		High speed indicator		Low speed indicator
	Water-full indicator		Fan mode indicator		Dehumidify mode indicator
	Cool mode indicator		Sleep mode indicator		Remote control signal receiving window
	LED display window		Operation indicator		Celsius/ Fahrenheit temperature indicator

2. Control Panel Operation: This unit is with Cool, Dehumidifying, Fan and Sleep modes operations.

1) Turn on the unit.

- Plug in and all indicators light up on control panel and reminding music will be on, LED display window will show ambient temperature with range 10- 35°C , unit is standby for operation.
- Press button, unit is on with reminding music sounded, and operates in Cool mode automatically, temperature set 24°C , fan runs at high speed, and will light up.

2) Select operating mode

Press button to select a desired mode shown below, and its corresponding indicator will light up.



Under cooling mode, press “Timer” + “ ▼ ” buttons together, the unit auto run in “Sleep” mode.


3) Adjust temperature

The temperature can be set within range of 17-30°C .

Press ▲ or ▼ button to increase or decrease the temperature 1 °C by pressing once.


Press ▲ and ▼ buttons together to convert Celsius degrees and Fahrenheit degrees and corresponding indicator will light up.

4) Adjust fan speed

Press  button to select a desired fan speed shown below



5) Stand-by

Press  button once again, the unit will stop working with reminding music sounded.

Notice: working principle and function of each mode:

1. Cool mode:

- When room temperature is 1°C higher than set temperature, the compressor and fan will start to run.
- When room temperature is 1°C lower than set temperature, the compressor will stop working and fan keep running at original speed.
- The temperature can be set within a range of 17-30°C and fan speed can be adjusted to high or low level.
- Unit On/Off time can be set.
- E1, E2 & E4 protection available (see Troubleshooting).
- Water-full warning function.

2. Fan mode:

- Fan runs at set speed, and compressor will not work.
- Fan speed can be adjusted.
- Room temperature will automatically show in LED display with range 10-35°C
- Room temperature can't be adjusted.
- Unit On/Off time can be set.

3. Dehumidify mode:

- Fan will run at low speed automatically, and fan speed can't be adjusted.
- Room temperature can't be adjusted.
- Room temperature will automatically show in LED display with range 10-35°C
- Unit On/off time can be set.
- E1、E2 & E4 protection available (see Troubleshooting).
- Water-full warning function.

4. Sleep mode:

- Under cooling mode, press “Timer” + “ ▼ ” buttons together, unit will auto run “Sleep” mode.
- Fan will be to low speed automatically and can't be adjusted.
- Room temperature is adjustable. Set temperature will increase 1°C when unit running after 2 hours, increase 1°C again after another 2-hour working, then temperature will be unchanged further.

- Room temperature will automatically show in LED display with range 10-35°C.
- On/Off time can be set.
- E1, E2 & E4 protection available (see Troubleshooting).
- Water-full warning protection.

5. Timer Operation

- Press “Timer” button to set automatic OFF time when unit is running, Timer indicator will light up.
- Unit will be off automatically when the set time is ready, and timer indicator is off, room temperature will show on LED display window.
- Press “timer” button to set automatic ON time when unit is off, Timer indicator is will light up.
- Unit will turn on automatically and working at original mode when the set time is ready, timer indicator will be off, room temperature is show on LED display window.
- When press “Timer”, Timer indicator will light up, 88 in LED display window will flash at 0.5 second frequency, press ▲ or ▼ button within 5 seconds to finish timer setting, set time will flash 5 seconds for confirmation, then room temperature will show in LED display window.
- Press “Timer” to check time remained when “Timer” function is on; Press “Timer” twice within 5 seconds to cancel timer.
- Only final time setting is effective if repeated setting.
- The time can be adjusted within a range of 1-24 hours, press ▲ or ▼ buttons, to increase or decrease 1 hour by pressing once.
- Unit will not change working mode after timer set. Timer will not stop by other functions.
- Timer will be ineffective if any operation from control panel or remote control to turn on or turn of the unit.

3. Remote Control Operation

The Remote control transmits the signal to system.



Power Button, press this button to start unit when it is energized or stop the unit when it is in operation.



Timer Button, press this button to set unit automatic on and off time



High Button, press this button to select high speed of fan running (except dry and sleep modes)



Low Button, press this button to select low speed of fan running.



Up Button, press this button to increase temperature or timer setting.



Down Button, press this button decrease temperature or timer setting.



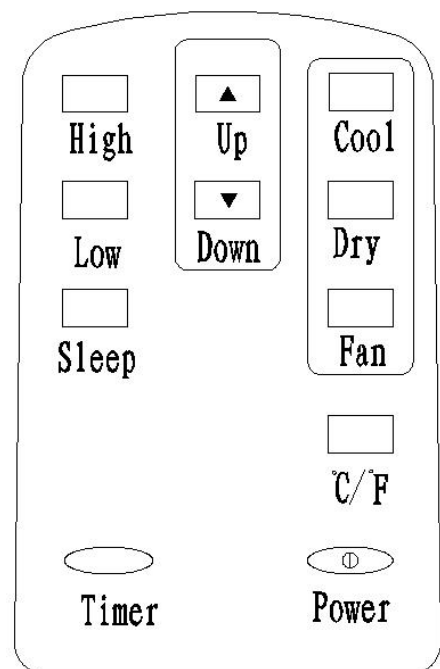
C F Button, press this button to make Celsius degrees and Fahrenheit degrees interchange.



Cool Button, press this button to select “Cool” mode.



Fan Button, press this button to select “Fan” mode





Dry Button, press this button to select “Dry” or “dehumidifying” mode

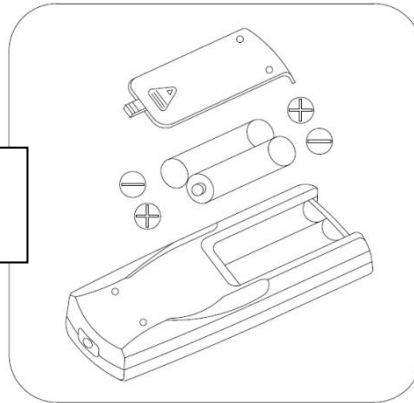


Sleep Button, press this button to select “Sleep” function under cooling mode.

Before using your remote, install the AAA batteries into remote control.

1. Press and slide the battery cover on the back of the remote control, then you can remove the cover.
2. Insert two new alkaline AAA batteries into the battery compartment. Be sure to note the proper polarity.
3. Reattach the battery cover and make sure the locking tab clicks into place.

Be sure to note proper polarity of batteries



Notes:

- Use alkaline batteries only. Do not use rechargeable batteries.
- When replace batteries, always replace both batteries with new batteries, do not mix old and new batteries.
- If air conditioner will not be used for an extended period of time, remove the batteries from the remote control.



CAUTION:

- If the liquid from the batteries gets onto your skin or clothes, wash it well with clean water, do not use the remote control if the batteries have any leakage.
- If you eat the liquid from the batteries, brush your teeth and see doctor. The chemicals in batteries could cause burns or other health hazards.

Multiple Protection Functions


1. Anti-freeze protection function:

Compressor, water spraying motor will turn off under cooling mode when compressor continuously running over 10 minutes and tube temperature (T_p) is continuously $\leq 2^{\circ}\text{C}$ for 20 seconds under cooling mode, E4 will show in LED display window, the unit initiates the anti-frost protection process and all buttons (except for power button) are inactive.

Once the tube temperature $\geq 8^{\circ}\text{C}$, the protection is relieved to recover into original status, and compressor apply to 3-minute delay protection.

2. Water-full safety alarm and shut –off protection function:

Warning sounds when the water volume reached its alarm level in water tank, and unit is automatically stop

working, water-full mark  and "FL" is flashing on LED window. You need to drain the condensate for unit to automatically recover operation. (For more information about how to drain, refer to the "Drainage Instruction" please).

3. Delay protection function of compressor

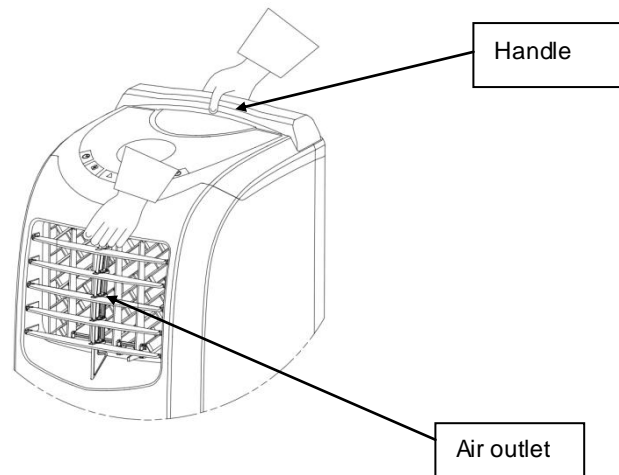
This unit offers restart protection to compressor. Except that the compressor may start immediately when the unit is energized first time, there is 3-minute delay restart protection after compressor is shut down.

Handling and Transportation

Hold the top of the air outlet in front panel with one hand and the handle at the top of back panel with another hand to move the unit in upright position

Notes:

- Do not hold the horizontal louvers by hand.
- Make the unit in the upright position whatever handling or moving it.
- Drain the water in the unit completely to prevent water leakage or wet the floor or carpet before handling or moving the unit.



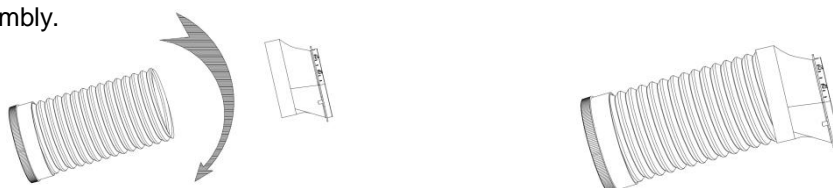
Installation & Adjustment

Warning:

- Keep this mobile air-conditioner in upright position at least 2 hours before first installation.
- Keep the unit in upright position while moving it. The air-conditioner shall be placed at flat surface.
- Do not install or operate this air-conditioner in bathroom or other wet environments.

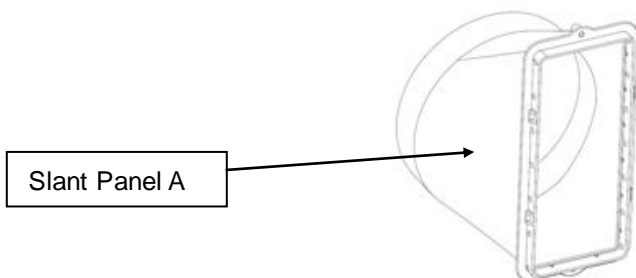
1 Installation of exhaust hose assembly.

- Extend the exhaust hose, screw the round connector and adapter into exhaust hose by counter clockwise direction.
- Screw connector and adapter into right positions, at least 3 laps, to keep good connection of exhaust hose assembly.

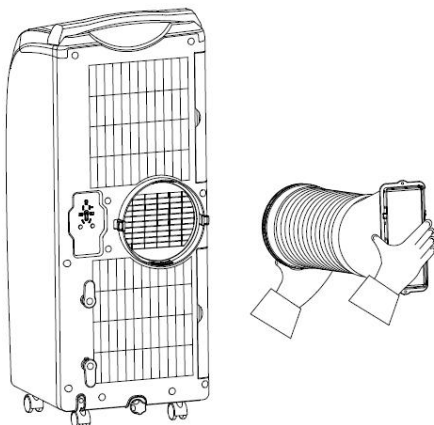


2 Installation of the exhaust hose assembly into unit

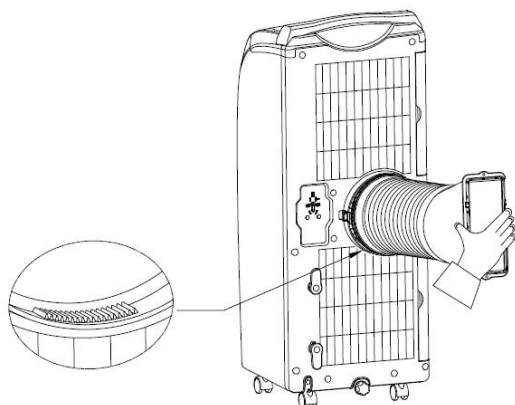
- Determine window seal-plate position, vertical or horizontal direction.
- If window seal-plate will be in horizontal position, the slant panel A of adapter should be up towards.
- If window seal-plate will be in vertical position, and will be at left side of window, the slant panel A of adapter should be at right direction
- If window seal-plate will be in vertical position, and will be at right side of window, the slant panel A of adapter should be at left direction.



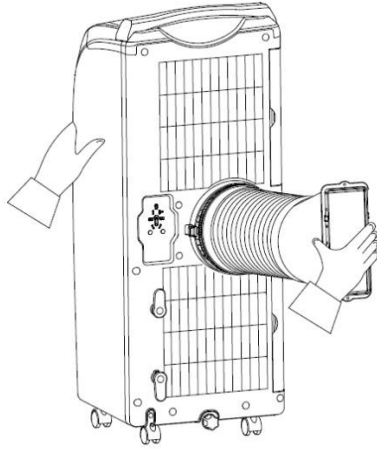
- Take two ends of exhaust hose and adapter assembly.



- Put front end of exhaust hose onto jugged position of exhaust outlet of back panel.

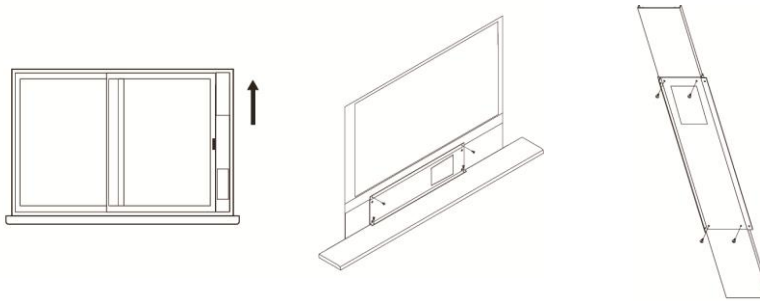


- Hold the unit by one hand, carry the exhaust hose assembly with another hand and push it into unit gently, fasteners will lock automatically.



3 Installation of window seal-plate

- Open the window in half, put the seal-plate into window,
- Extend seal plate parts and adjust it to the length of window, fix it with screws then.

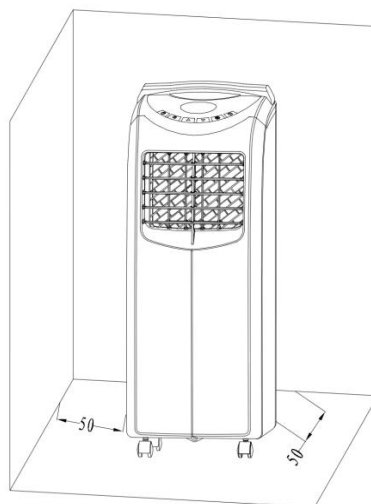


Remarks:

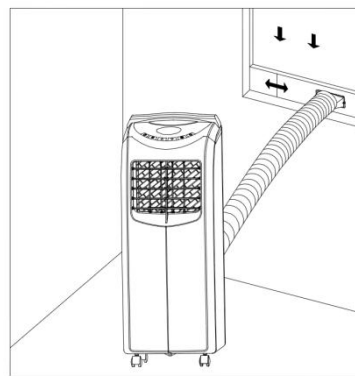
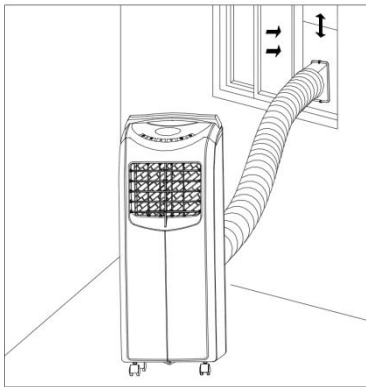
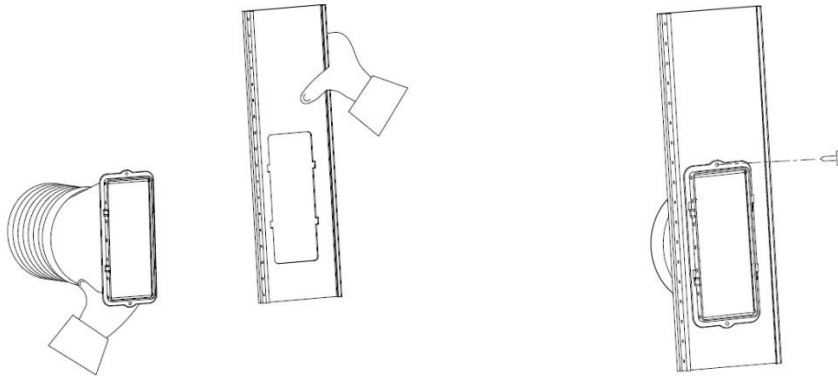
- Keep two ends of window seal-plate to meet the window edges well, to assure seal effect.
- Turn the screw in good position.

4. Installation of the unit

- Move the unit installed exhaust hose assembly in front of the window and keep the unit at least 50cm away from the walls or other objects.



- Install the rectangle end of exhaust hose assembly into the corresponding rectangular hole in window seal-plate, then fix with screw and close the window.



Remarks:


- Slide the adapter downwards and assure adapter installed in good position.
- Lock the screw tightly to avoid fall off.
- Exhaust hose can't be bent or with flexure higher than 45°, in order to keep good ventilation.

Important notes:

The exhaust hose is 280mm-1500mm long and which is determined by the specification of the air-conditioner (s). Do not use prolonged the hose or replace it with other different hoses as this may affect the functions of the air-conditioner. The exhaust hose must be smooth or it may lead air-conditioner overheat and trip because exhaust hose is obstructed.

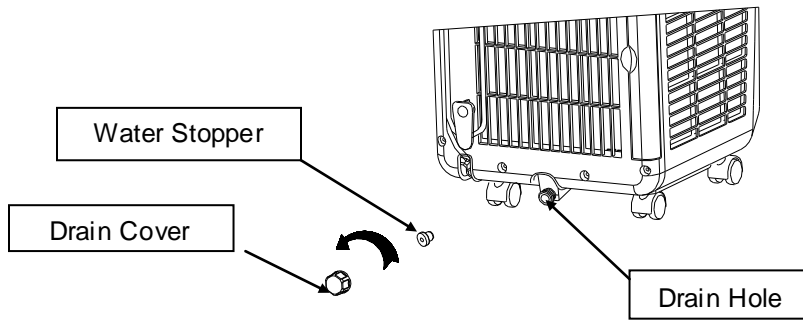
Drainage Instruction

1. Manual drain:

When the water volume reached its alarm level in water tank, warning sounds and unit is automatically stop working, water-full mark  and "FL" is flashing on LED window. Please drain the condensate according to below instruction for unit to automatically recover operation.

- 1) Put the tray below water outlet at the back of the unit.

- 2) Screw off the drain cover, unplug the water stopper for water flow into the tray.
- 3) Plug in stopper and screw the water cover tightly onto water outlet after drainage.

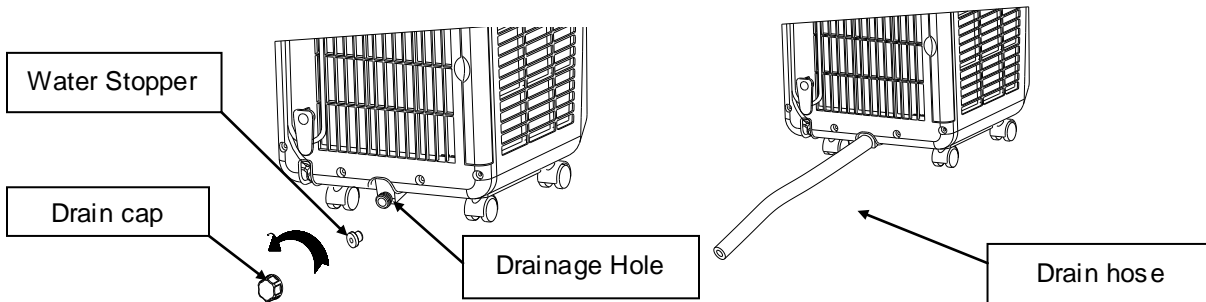


Notes:

- Protect the drain cover and water stopper properly.
- Move the unit carefully to avoid the leakage if it is necessary.
- Tilt the unit slightly backwards when draining.
- Block the drain hole as soon as possible before the tray is full if it can't hold all water in the unit to prevent the water leakage and wet the floor or carpet.
- Water stopper and drain cover must be tightly installed, to avoid new condensate to wet the floor or carpet when the unit re-starts working.

2. Continuous drain

- 1) Screw off the drain cover and unplug the water stopper.
- 2) Connect drain-hole with $\phi 13\text{mm}$ PVC drain hose, as deep as possible to avoid leakage.
- 3) Pull the drain hose to bathroom or outdoor.



Notes:

- Drain hose must be installed before unit starts working.
- It is suggested to use manual drainage when unit in cooling mode, to ensure enough water to recycle in the unit to cool condenser and enhance cooling performance.
- Put the drain hose in an inaccessible place, not higher than drainage hole and keep drain hose straight without any flexure.
- Keep the drain cover and its stopper properly installed when continuous drainage is adopted.

Maintenance and Service

Remark: Turn off the unit and pull out the plug before maintain or send the unit to service center.

1. Surface cleaning

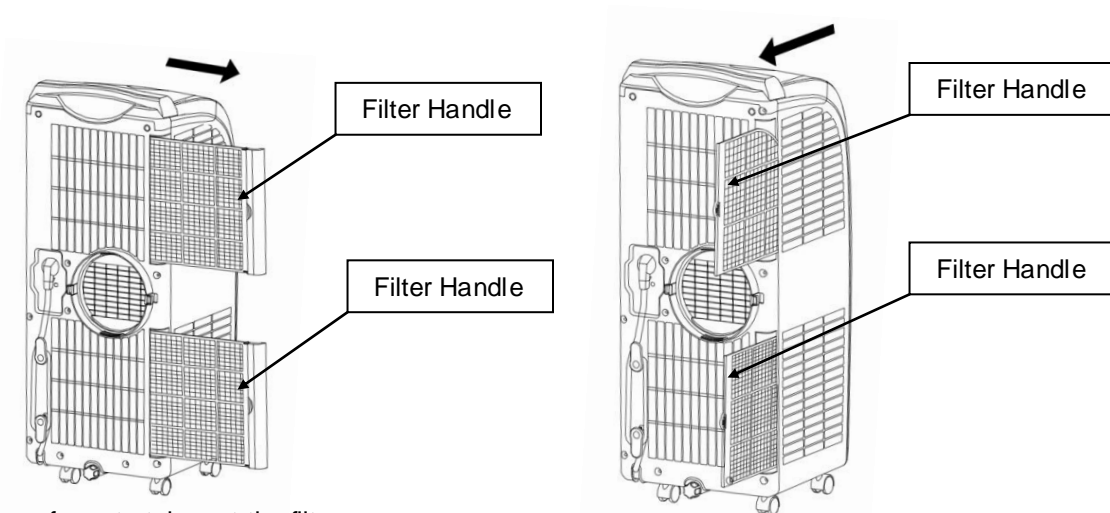
Clean the unit surface with wet and soft cloth, but do not use chemical solvents such as alcohol or gasoline to avoid damage to unit.

2. Filter cleaning

Clean the filter every two weeks, otherwise it would influence the unit function if filter clogged with dust.

2.1. How to clean filter

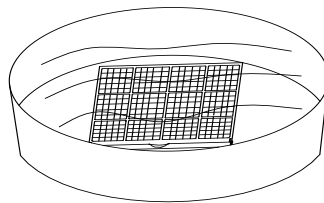
- 1) Grip the filter handle and take it out gently in correct direction shown by the arrow.



Notes:

- Use even force to take out the filter.
- Filters at back panel at priority then filter at side panel, to avoid any twist or damage to filter.

- 2) Clean the filters gently in warm water (about 40°C) mixed with detergent then dry them in the shade.



Notes:

- Do not squash the mesh.
- Do not hit the mesh with sharp objects or brush.

2.2 Installation of the filter

Aim the end of the filter toward to slot then push it gently into slot in even force.

Special note:

- **Be sure to install the filters to side panel at first then install the filter into back panel.**
- Install the filter with opposite direction of removal.
- Install the filter into place gently to avoid any damage to filter.

End of Season Storage

1. Screw off the drain cover, pull out the stopper to drain water completely.
2. Keep unit running in fan mode with half day to dry inside completely to prevent it from going mouldy.
3. Turn off the unit, pull out plug then wrap the power cord around the wire-winding pillar, insert the plug into the universal fixing hole at the back panel of the unit, install the water plug and drain cap.
4. Remove the heat exhaust hose assembly, clean and keep it properly.
5. Pack the air-conditioner properly with soft plastic bag and put it in dry place with appropriate dust-proof measures, and keep the unit away from children.
6. Take out the batteries from the remote control and keep it properly.

Note:

- The tilt angle of unit must be less than 30 degrees.
- Hold the exhaust hose assembly with both hands when removal.
- Push the fasteners aside on exhaust air outlet using your thumbs, then pull out exhaust hose assembly.
- Assure the unit is stored in a dry place. All accessories of the unit shall be properly protected together.

Troubleshooting

Please check unit and suggestions below before asking for professional service, but never dismantle or repair the unit by yourself, it may cause harm to you and your property.

Trouble	Cause	Remedy
The unit fails to start up	Power supply failure	Connect the unit to a live socket and turn it on.
	Water-full and its indicator lighting	Drain the water stored in the unit.
	Ambient temperature too low or too high?	It is recommended to use this unit between 10-35°C (50-95°F.)
	The room temperature is lower than the set temperature in cooling mode.	Change the set temperature
Bad cooling effects	There is direct sunlight	Close the curtain
	The doors and windows are open, the room is crowded or there are other heat sources	Close the door and window, remove other heat sources, and add new air-conditioners
	Dirty filter	Clean or replace the filter mesh
	Air inlet or air outlet clogged	Remove the obstruction
High noise level	The unit is being placed at uneven surface.	Put the unit at a flat and firm place (may reduce noise)
The compressor does not work	Initiation of overheat protection.	Wait until the temperature decrease, the unit will re-start automatically
The remote control does	Too long distance	Bring the remote control close to the

not work	The remote control didn't aim at signal receptor on unit.	air-conditioner and ensure aims at signal receptor on unit.
	The batteries have no electricity	Replace the batteries
LED displays error code "E1"	Tube temperature sensor failure	Check the tube temperature sensor and related circuits
LED displays error code "E2"	Room temperature sensor failure	Check the room temperature sensor and related circuits
LED displays error code "E4"	Anti-freeze protection	Restore the functions automatically once anti-freeze protection is over.
Water-full indicator lights	The water in chassis is full	Drain the water and re-start he unit

Appendix

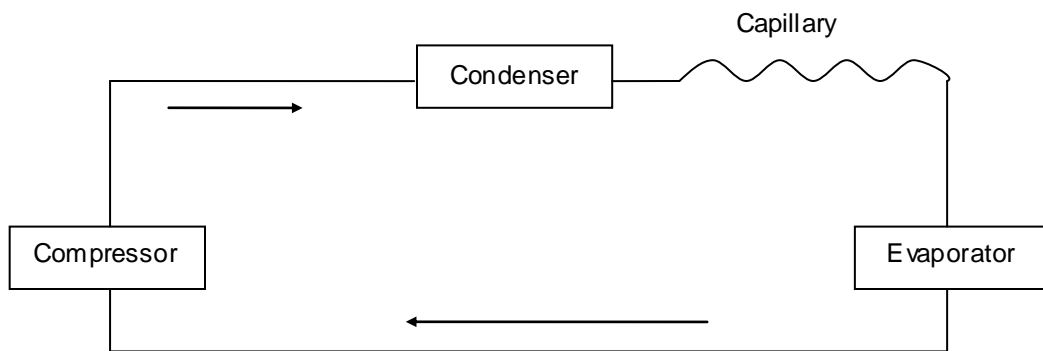
Fuse parameters

Model: FSD or 50F

Voltage: 250V

Current: 3.15A

Schematic diagram of the air-conditioner



For specific technical parameters of the model, refer to rating label on the product.



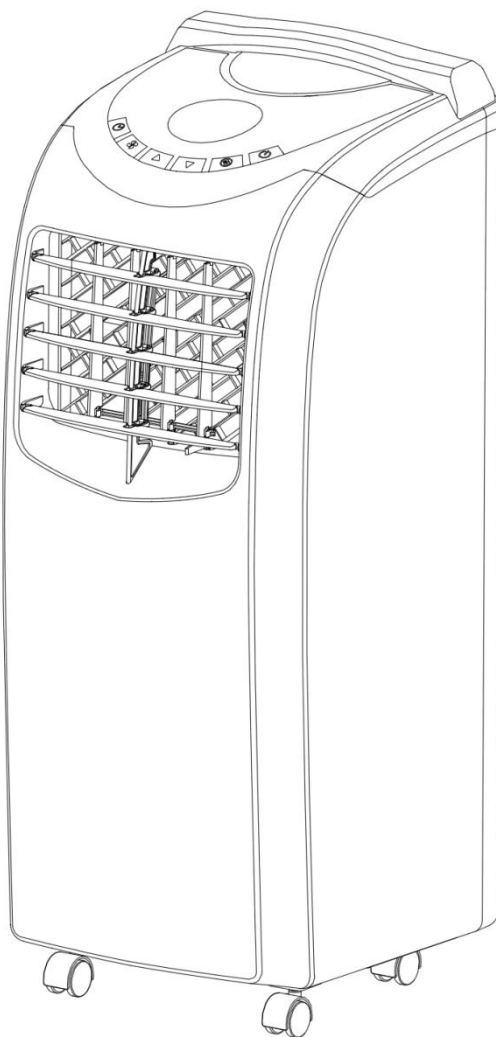
Correct Disposal of this product

This marking indicates that the product should not be disposed with other household wastes throughout the EU. To prevent possible harm to the environment or human health from uncontrolled waste disposal, recycle it responsibly to promote the sustainable reuse of material resources. To return your used device, please use the return and collection systems or contact the retailer where the product was purchased. They can take this product for environmental safe recycling.



Aire Acondicionado Portátil

Manual De Uso y Cuidados



Modelo: NPA1

Muchas gracias por seleccionar este nuevo modelo de aire acondicionado portátil, lea este manual de uso y cuidado cuidadosamente antes de instalar y utilizar este aparato. Por favor, mantenga este Manual de Uso y Cuidado adecuadamente para consulta en el futuro.

Contenido

Instrucciones de Seguridad.....	20
Funciones y Especificaciones Técnicas.....	22
Características e Identificación de Partes.....	22
Operación y Ajustes.....	24
Protección	28
Manipulación y Transporte	28
Instalación y Ajuste.....	28
Instrucción de Drenaje	32
Mantenimiento y Servicio	33
Almacenamiento de Fin de Temporda.....	34
Solución de Problemas	34
Apéndice	35

Instrucciones de Seguridad

Especificaciones Eléctricas

1. Todo el cableado debe cumplir con los códigos eléctricos locales y nacionales y ser instalado por un electricista. Si usted tiene alguna pregunta con respecto a las siguientes instrucciones comuníquese con un electricista calificado.
2. La unidad debe ser instalada de acuerdo con las regulaciones nacionales de cableado. Compruebe la alimentación disponible y resolver cualquier problema de cableado antes de la instalación y el funcionamiento de esta unidad. Para su seguridad y protección, esta unidad se conecta a tierra mediante el cable de alimentación al conectarlo a una toma de pared a juego. Si usted no está seguro si la toma de corriente en su hogar está conectado a tierra, consulte a un electricista.
3. Si el cable de alimentación está dañado, debe ser reemplazado por el fabricante, su agente de servicio o persona igualmente calificada a fin de evitar cualquier peligro.
4. Este aparato no está destinado a personas (incluido niños) con capacidades físicas, sensoriales o mentales, o la falta de experiencia y conocimiento, a menos que sean supervisados o instruidos acerca del uso del aparato por una persona responsable de su seguridad. Los niños pequeños deben ser supervisados para asegurarse de que no jueguen con el aparato.

2. ADVERTENCIA:

Para reducir el riesgo de incendio, descarga eléctrica o lesiones personales al usar su acondicionador de aire, siga estas precauciones básicas:

- ※ Sólo para uso interior, está prohibido utilizar esta unidad en exteriores o en ambientes húmedos como baño etc.
- ※ No quite el contacto a tierra.
- ※ No utilice un adaptador.
- ※ No utilice extensión de cordón.
- ※ Nunca comparta la toma de corriente con otros aparatos.
- ※ Nunca conecte o desconecte el cable de alimentación con las manos mojadas para evitar descargas eléctricas.
- ※ Nunca apague la unidad desconectando.
- ※ Desconecte el acondicionador de aire antes de darle servicio.
- ※ Nunca desmonte, repare o modifique la unidad sin autorización para evitar lesión del cuerpo o daños a la propiedad, asegúrese de que sea reparado por el fabricante o profesionales.
- ※ Nunca coloque ningún objeto en la unidad.
- ※ No cubra ni obstruya la entrada o salida para evitar el sobrecalentamiento del aire.
- ※ Nunca pegue ni sacuda la unidad para evitar daños.
- ※ Nunca rocíe agua o coloque la unidad cerca de agua para evitar descargas eléctricas.
- ※ Nunca coloque la unidad cerca de aparatos de gas, fuego o líquidos inflamables.
- ※ mover e instalar la unidad con dos o más personas.
- ※ Mantenga a los niños alejados de la unidad.
- ※ Este aparato puede ser utilizado por niños de a partir de 8 años en adelante y personas con capacidades físicas, sensoriales o mentales reducidas o falta de experiencia y conocimiento si han sido supervisados o instruidos acerca del uso del aparato de forma segura y comprender los peligros implicado. Los niños no deben jugar con el aparato. Limpieza y mantenimiento de usuarios no serán tomadas por los niños sin supervisión

3. Precaución:

- ※ Mantenga la unidad al menos 1 metro de distancia de la TV o radios para evitar la interferencia electromagnética.
- ※ No exponga la unidad bajo la luz directa del sol para evitar la pérdida de color de la superficie.
- ※ No incline la unidad durante más de 35 grados o al revés mientras se transporta.
- ※ Coloque la unidad sobre una superficie plana y vertical, con menos de 5 grados de inclinación.
- ※ La unidad funciona de manera más eficiente en ciertos lugares de la habitación (consulte Instalación y ajuste).
- ※ Mantenga la manguera de drenaje en buenas condiciones sin flexión luego conectarlo con la unidad.
- ※ Para ajustar manualmente las persianas verticales y horizontales levemente para proteger persianas de cualquier daño.
- ※ Vacíe la bandeja de drenaje de condensado antes de poner la unidad en el almacenamiento para prolongar el extremo de la unidad de vida de la temporada.
- ※ No utilice disolventes químicos (por ejemplo, benceno, alcohol glazer) para limpiar la superficie de la unidad, no rayar o dañar la unidad.
- ※ Asegúrese de cortar la energía antes de desmontar o instalar el filtro.

Comentario: No utilice esta unidad en modo de enfriamiento si la temperatura ambiente es superior a 35 °C

- ※ Esta unidad ofrece refrigeración, modos del ventilador y del sueño en seco, ideal para uso en el hogar y la oficina;
- ※ Esta unidad cuenta con dos niveles de velocidad del ventilador accesibles en el panel de control y control remoto.
- ※ rango de ajuste de la temperatura de esta unidad es 17-30 °C
- ※ Esta unidad está diseñada con diversas funciones de protección tales como temporizador de 24 horas programable, ciclo condensador automático, sensor de temperatura súper inteligente y control y aviso de lleno de agua, etc.

Especificación Técnica:

Modelo		Unidad	NPA1-08C	NPA1-10C
Fuente De Energía		V~,Hz,Ph	110~120,60,1	
Capacidad de Enfriamiento		kW	2.35	2.93
Refrigerante/Carga		oz	R410A/14.46	R410A/17.63
Nominal de entrada	Enfriamiento	W	850	1050
Nonimal de Corriente	Enfriamiento	A	8.0	10.2
Eliminación de Humedad		L/h	1.1	1.1
Circulación de Aire		m³/h	380	
Ruido	Alto	dB(A)	56	
	Bajo	dB(A)	50	
Tamaño del cuerpo	AxAxL	pulgada	11.8x30.9x14	
Tamaño del paquete	AxAxL	pulgada	15.7x34.8x21.3	
Peso Neto / Peso Bruto		lbs	49.6/66.1	54 /70.5
Área de Aplicación		m²	10~14	13~18

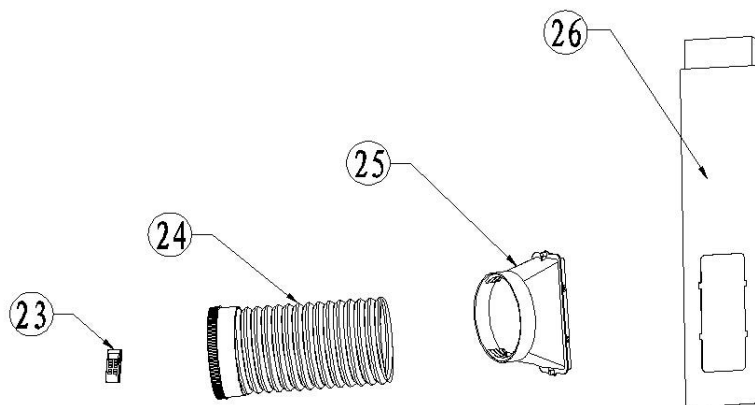
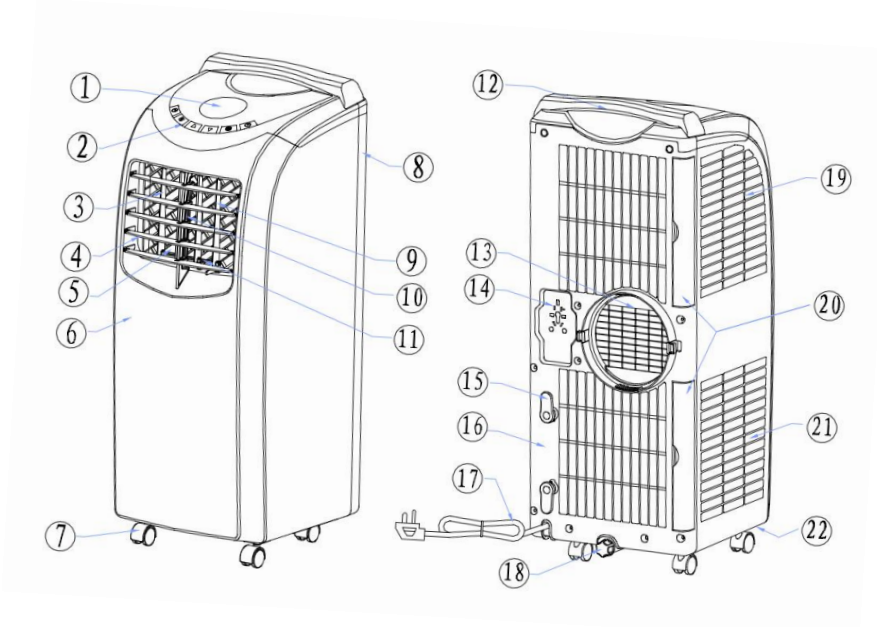
Comentario: La capacidad de enfriamiento por encima se mide bajo condiciones de funcionamiento normal de la temperatura ambiente de bulbo seco 35 °C, de bulbo húmedo 24 °C (interior y exterior, en las mismas condiciones)

Características e Identificación de Partes

1. Características

- ※ Nueva apariencia y diseño compacto.
- ※ persianas horizontales y verticales se puede ajustar manualmente para mejorar el rendimiento de enfriamiento.
- ※ mango humanizado de diseño de empujando.
- ※ Control remoto y panel de LED, más visualizado.
- ※ Arrollamiento pilar decable eléctrico, con enchufe universal, orificios de fijación para así proteger el cable eléctrico.
- ※ Alta posición de salida de aire de escape, fácil montaje y rápida evacuación del aire de escape.
- ※ Función de temporizador de 24 horas, único de encendido / apagado recordando con música.
- ※ 3 minutos de demora de protección re-iniciar para el compresor y otras funciones de protección múltiples.
- ※ Manguera de escape de diseño único y elementos de fijación, instalación conveniente.

2. Identificación de partes:

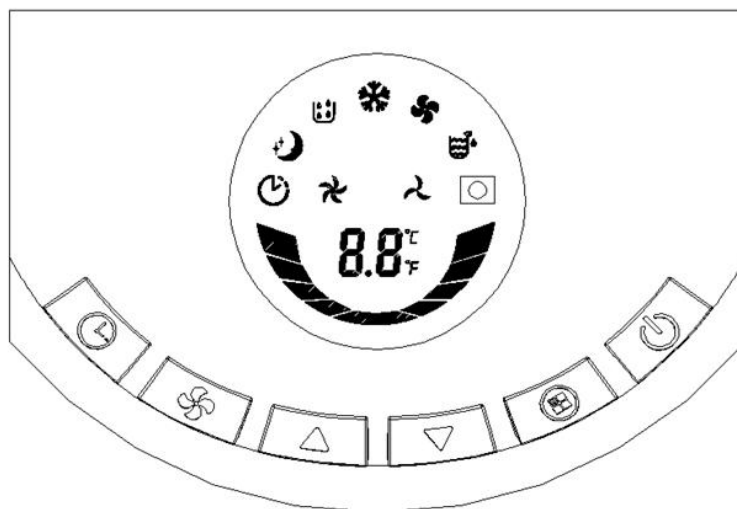


- | | |
|---|--|
| 1. Pantalla LED | 14. Enchufe Universal de Orificios de Fijación |
| 2. Botones Operacionales | 15. Pilar de Arrollamiento de Alambre |
| 3. Persianas Verticales | 16. Panel Posterior |
| 4. Persianas Horizontales | 17. Cable Eléctrico |
| 5. Ventana de Salida de Aire | 18. Orificio de Drenaje y Cobertura |
| 6. Panel Frontal | 19. Filtro |
| 7. Rueda Universal | 20. Filtros |
| 8. Panel Posterior | 21. Filtro |
| 9. Persiana Vertical Principal | 22. Chasis |
| 10. Barra de Conexión de Persianas Horizontales | 23. Control Remoto |
| 11. Barra de Conexión de Persianas Verticales | 24. Ensamble de Manguera de Escape |
| 12. Manilla | 25. Adaptador de Manguera de Escape |
| 13. Rejilla de Protección de Salida de Aire de Escape | 26. Sello-Plato Asamblea de Ventana |

Operación y Ajuste

En esta sección se explica el funcionamiento correcto del aire acondicionado móvil

1. Panel de Control



	Botón de Encendido / Apagado		Botón de Modo		Botón de Arriba
	Botón Temporizador		Botón de velocidad del ventilador		Botón de Abajo
	Indicador de Tiempo		Indicador de alta velocidad		Indicador de velocidad
	Indicador de Agua Llena		Indicador del modo de ventilador		Indicador de modo de Deshumidificar
	Indicador de Modo de Frío		Indicador del modo Dormir		Ventana de recepción de Señal de control remoto
	Ventana de la Pantalla LED		Indicador de operación		Indicador de la temperatura Celsius / Fahrenheit

2. Panel de Control de la Operación: Esta unidad cuenta con operaciones modos de ventilación fresco, deshumidificación, y Dormir.

1) Encienda la unidad.

- Conecte y todos los indicadores se encienden en el panel de control y la música de recuerdo se enciende, Ventana de la pantalla LED mostrará la temperatura ambiente con rango de 10 - 35 °C, la unidad está en modo de espera para la operación.
- Oprima Botón, unidad está encendida con la música de recuerdo, y opera en modo de refrigeración automática, temperatura fija de 24 °C, el ventilador funciona a alta velocidad, y se iluminará.

2) Seleccione el modo de operación

Oprima botón para seleccionar el modo deseado se muestra a continuación, y su indicador correspondiente se iluminará.



En el modo de enfriar, Oprima "Timer" + "" botones juntos, la unidad de ejecución automática en el modo

"Dormir".


3) Ajuste la temperatura

La temperatura se puede ajustar dentro del rango de 17-30°C .

Oprima ▲ o ▼ botón para aumentar o disminuir la temperatura de 1 °C oprimiendo una vez.


Oprima ▲ y ▼ botones juntos para convertir grados Celsius y grados Fahrenheit y el indicador correspondiente se iluminará.

4) Ajuste la velocidad del ventilador

Oprima  botón para seleccionar la velocidad del ventilador deseada se muestra a continuación



5) En espera

Oprima  botón una vez más, la unidad dejará de funcionar con el sonido la música de recuerdo.

Aviso: principio de funcionamiento y la función de cada modo:

1. Modo de enfriamiento:

- Cuando la temperatura ambiente es de 1 °C superior a la temperatura establecida, el compresor y el ventilador comenzará a funcionar.
- Cuando la temperatura ambiente es de 1 °C inferior a la temperatura establecida, el compresor deja de funcionar y el ventilador sigue funcionando a velocidad original.
- La temperatura se puede ajustar dentro de un rango de 17 a 30 °C y la velocidad del ventilador se puede ajustar a nivel alto o bajo.
- Encendido / Apagado tiempo se puede ajustar.
- E1, E2 & E4 protección disponible(consulte Solución de Problemas).
- función de advertencia de Agua-Llena.

2. Modo del Ventilador:

- El ventilador funciona a la velocidad establecida, y el compresor no funciona.
- La velocidad del ventilador se puede ajustar.
- Temperatura de la habitación se mostrará automáticamente en la pantalla LED con rango 10-35 °C
- Temperatura de la habitación no se puede ajustar.
- Tiempo de la unidad de encendido / apagado se puede ajustar.

3. Modo de deshumidificación:

- ventilador funcionará a baja velocidad de forma automática, y la velocidad del ventilador no puede ajustarse.
- Temperatura de la habitación no se puede ajustar.
- Temperatura de la habitación se mostrará automáticamente en la pantalla LED con rango 10-35 °C
- Tiempo de la unidad de encendido / apagado se puede ajustar.
- E1、 E2 & E4 protección disponible (consulte Solución de Problemas).
- Función de advertencia Agua-Llena.

4. Modo de dormir:

- En el modo de enfriamiento, presione "Timer"+ " ▼ " botones juntos, la unidad se auto iniciará en modo "Sleep" (Dormir).
- Ventilador estará en baja velocidad automáticamente y no se puede ajustar.
- temperatura de la habitación es ajustable. Temperatura ajustada aumentará 1 °C cuando la unidad se ejecuta

después de 2 horas, 1 °C aumentar de nuevo después de otras 2 horas de trabajo, a continuación, la temperatura no cambiará más.


- Temperatura de la habitación se mostrará automáticamente en la pantalla LED con rango 10-35 °C.
- Tiempo de la unidad de encendido / apagado se puede ajustar.
- E1, E2 & E4 protección disponible (consulte Solución de Problemas).
- Función de advertencia Agua-Llena.


5. Operación del temporizador


- Oprima el botón para ajustar la hora de apagado automático cuando la unidad está en funcionamiento "Timer", indicador del temporizador se encenderá.
- Unidad se apagará automáticamente cuando el tiempo fijado está listo, y el indicador del temporizador está apagado, la temperatura ambiente se mostrará en la ventana de la pantalla LED.
- Oprima el botón "timer" para ajustar tiempo de encendido automático cuando la unidad está apagada, el indicador del temporizador se encenderá.
- La unidad se encenderá automáticamente y trabajar en el modo original cuando el tiempo fijado está listo, indicador del temporizador se apagará, la temperatura ambiente se muestra en la ventana de la pantalla LED.
- Cuando oprima "Timer", indicador del temporizador se iluminará, 88 en la ventana de la pantalla LED parpadeará en el 0,5 segunda frecuencia, oprima ▲ o ▼ botón durante 5 segundos para terminar el ajuste del temporizador, el tiempo establecido parpadeará 5 segundos para la confirmación, a continuación, la temperatura ambiente se mostrará en la ventana de pantalla LED.
- Pulse el botón "Timer" para comprobar el tiempo restante cuando la función "Timer" está encendido; Pulse el botón "Timer" dos veces dentro de los 5 segundos para cancelar el temporizador.
- Sólo ajuste de la hora final es efectiva si se repite el ajuste.
- El tiempo se puede ajustar en un rango de 1 a 24 hora, oprima ▲ o ▼ botones, para aumentar o disminuir 1 hora oprimiendo una vez.
- La unidad no va a cambiar el modo de funcionar después de temporizador se establece. El temporizador no se detendrá por otras funciones.
- Temporizador será ineficaz si cualquier operación desde el panel de control o el control remoto para encender o apagar la unidad.


Operación de control remoto

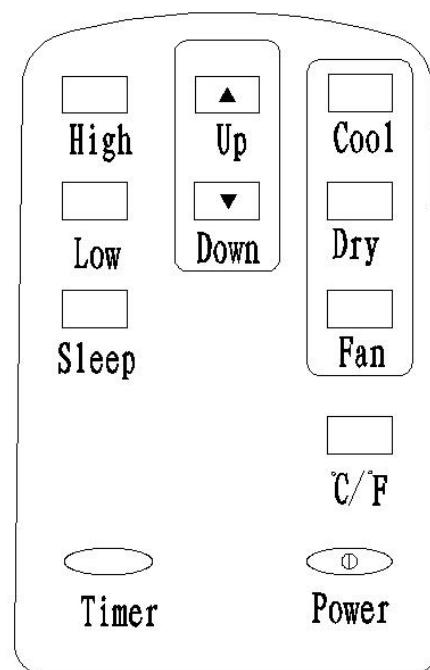
El control remoto transmite la señal al sistema.

 Power Botón, oprima este botón para iniciar la unidad cuando está energizado o parar la unidad cuando está en funcionamiento.

 Timer Botón, Oprima este botón para ajustar la unidad automática de encendido y apagado

 High Botón oprima este botón para seleccionar la velocidad de ventilador en funcionamiento a alto, (excepto los modos de secos y dormir)

 Low Botón, oprima este botón para seleccionar la velocidad de ventilador en funcionamiento bajo.





Up Botón, oprima este botón para aumentar el ajuste de temperatura o el temporizador.



Down Botón, oprima este botón de disminución de la temperatura o de ajuste del temporizador.



C F Botón, oprima este botón para hacer intercambio de grados Celsius y grados Fahrenheit.



Cool Botón, oprima este botón para seleccionar el modo "Frío".



Fan Botón, oprima este botón para seleccionar el modo "Ventilador"



Dry Botón oprima este botón para seleccionar el modo "en seco" o "deshumidificación"

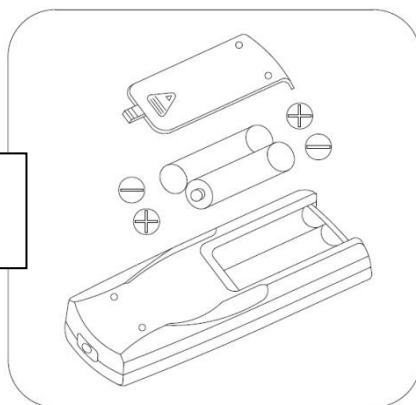


Sleep Botón oprima este botón para seleccionar la función "Dormir" en el modo de refrigeración.

Antes de utilizar el control remoto, instale las baterías AAA en el control remoto .

1. Presione y deslice la cubierta de la batería en la parte posterior del control remoto, a continuación, usted puede quitar la tapa.
2. Inserte dos baterías nuevas alcalinas AAA en el compartimiento de la batería. Asegúrese de anotar la polaridad correcta.
3. Vuelva a colocar la tapa de la batería y asegúrese de que la pestaña de bloqueo encaje en su lugar.

Asegúrese de anotar la polaridad correcta de las baterías



Notas:

- Utilice sólo baterías alcalinas. No utilice baterías recargables.
- Cuando reemplace las baterías, siempre reemplace ambas baterías por baterías nuevas, no mezcle pilas viejas y nuevas.
- Si el aire acondicionado no va a utilizarse durante un período de tiempo prolongado, retire las baterías del control remoto.

PRECAUCIÓN:

- Si el líquido de las baterías ase contacto con la piel o la ropa, lavar bien con agua limpia, no utilice el control remoto si las pilas tienen alguna fuga.
- Si ingiere el líquido de las baterías, cepillarse los dientes y ver al médico. Los productos químicos de las baterías podrían causar quemaduras u otros peligros para la salud.

Funciones de protección múltiple


1. Función de protección anticongelante:

Compresor, pulverización de agua del motor se apagará en el modo de refrigeración cuando el compresor funciona continuamente durante 10 minutos y la temperatura del tubo (TP) está continuamente ≤ 2 °C durante 20 segundos en el modo de refrigeración, E4 mostrará en la ventana de la pantalla LED, la unidad inicia la protección de anti-hielo y todos los botones (excepto el botón de encendido) son inactivos.

Una vez que la temperatura del tubo ≥ 8 °C, la protección se alivia a recuperarse en el estado original, y el compresor aplica la protección de retardo de 3 minutos.

2. Alarma de seguridad de agua llena y cerrado - desactiva la función de protección:

Advertencia suena cuando el volumen de agua llegó a su nivel de alarma en el tanque de agua, y la unidad

se para automáticamente el trabajar, marca agua - de máximo  y "FL" parpadea en el visor LED. Es necesario para drenar el condensado de la unidad para recuperar automáticamente la operación. (Para obtener más información acerca de cómo drenar, consulte la "Instrucción Drenaje" por favor).

3. Función de protección de retardo de compresor

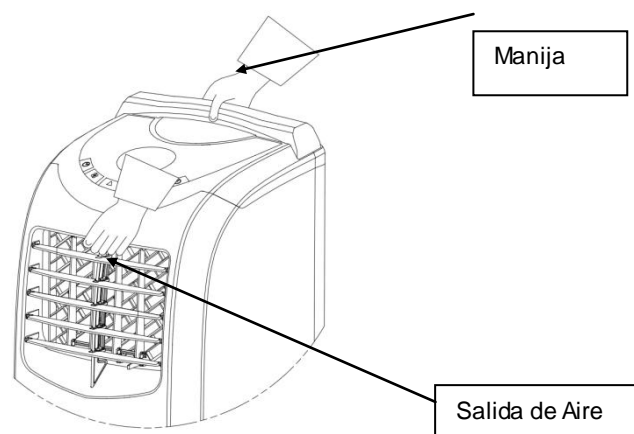
Esta unidad ofrece protección contra re arranque al compresor. Con excepción que el compresor puede iniciarse inmediatamente cuando la unidad se activa por primera vez, existe una protección de reinicio de 3 minutos después de que el compresor se apaga.

Manipulación y Transporte

Mantenga la parte superior de la salida de aire en el panel frontal con una mano y el mango en la parte superior del panel posterior con la otra mano para mover la unidad en posición vertical

Notas:

- No sujete las persianas horizontales a mano.
- Prepare la unidad en posición vertical siempre que se manipule o moviéndolo.
- Drenar la agua en la unidad por completo para evitar fugas de agua en el suelo o la alfombra antes de manipular o mover la unidad.



Instalación y Ajuste

Advertencia:

- Mantenga este acondicionador de aire móvil en posición vertical por lo menos 2 horas antes de la primera instalación.

- Mantenga la unidad en posición vertical mientras se mueve. El acondicionador de aire deberá situado en una superficie plana.
- No instalar o utilizar el aire acondicionado en el baño o en otros ambientes mojados.

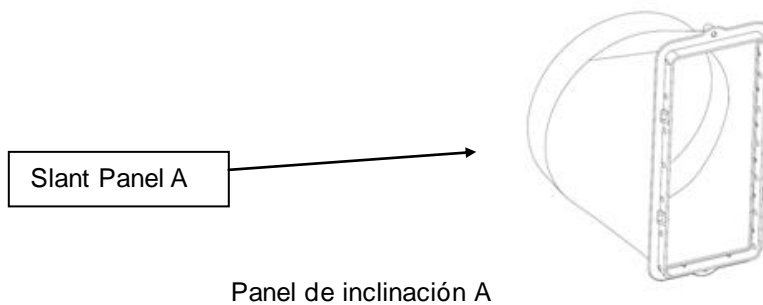
1 Instalación del ensamble de la manguera de escape.

- Extienda la manguera de escape, atornillar el conector redondo y adaptador a la manguera de escape sentido antihorario.
- Atornille conector y adaptador en posiciones adecuadas, al menos 3 vueltas, para mantener una buena conexión de ensamble de la manguera de escape.

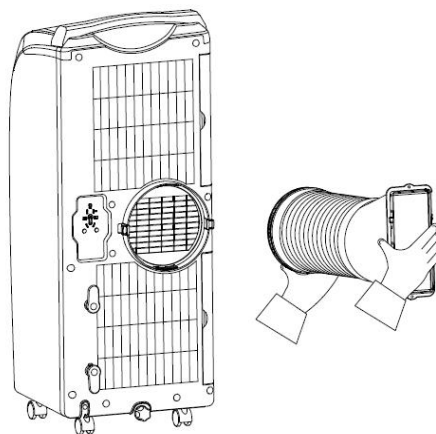


2 La instalación de la ensamble de la manguera de escape en la unidad

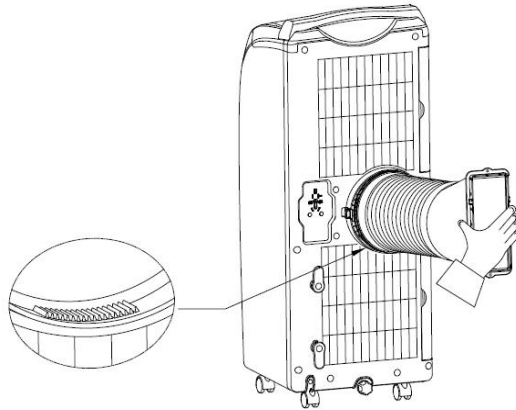
- Determinar posición del sello-placa de la ventana, dirección vertical u horizontal.
- Si la ventana de sello de placa estará en posición horizontal, el panel de inclinación A del adaptador debe ser hacia arriba.
- Si la ventana de sello de placa estará en posición vertical, y estará en el lado izquierdo de la ventana, el panel de inclinación A del adaptador debe estar endirección a la derecha.
- Si la ventana de sello de placa estará en posición vertical, y estará en el lado derecho de la ventana, el panel de inclinación A del adaptador debe estar en dirección izquierda.



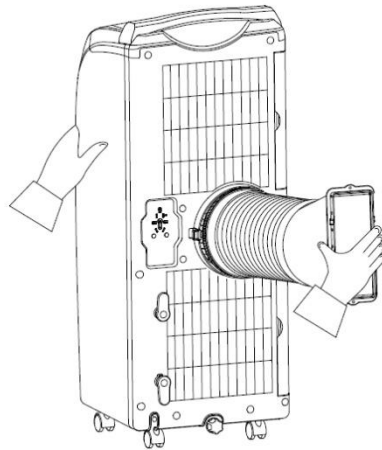
- Tome dos extremos del tubo de escape y el adaptador de montaje.



- Ponga extremo delantero del tubo de escape en posición stofado de salida de escape en la parte posterior del panel.

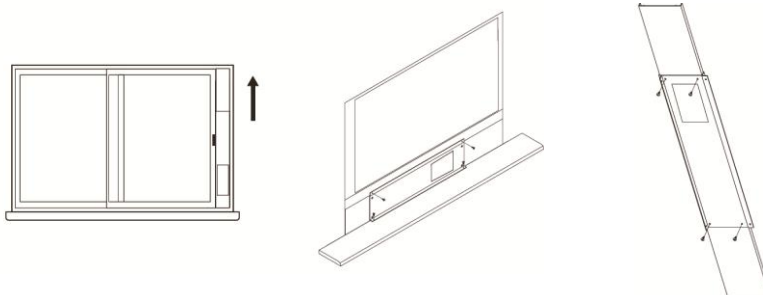


- Sujete la unidad por un lado, llevar el ensamble de la manguera de escape con la otra mano y empuje en la unidad suavemente, elementos de sujeción se cerrarán automáticamente.



3 Instalación de ventana de sello de placa

- Abra la ventana a la mitad, ponga la placa de sello en la ventana.
- Extienda partes de sello y placa y ajustarlo a la longitud de la ventana, fijarlo con tornillos.

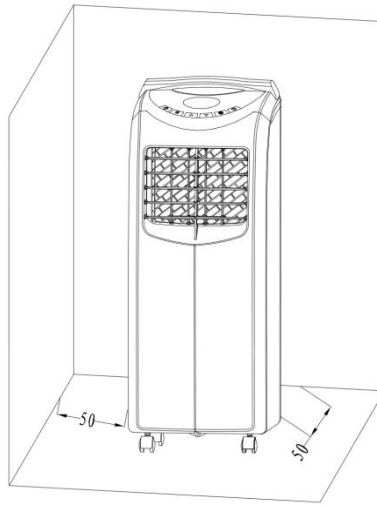


Comentarios:

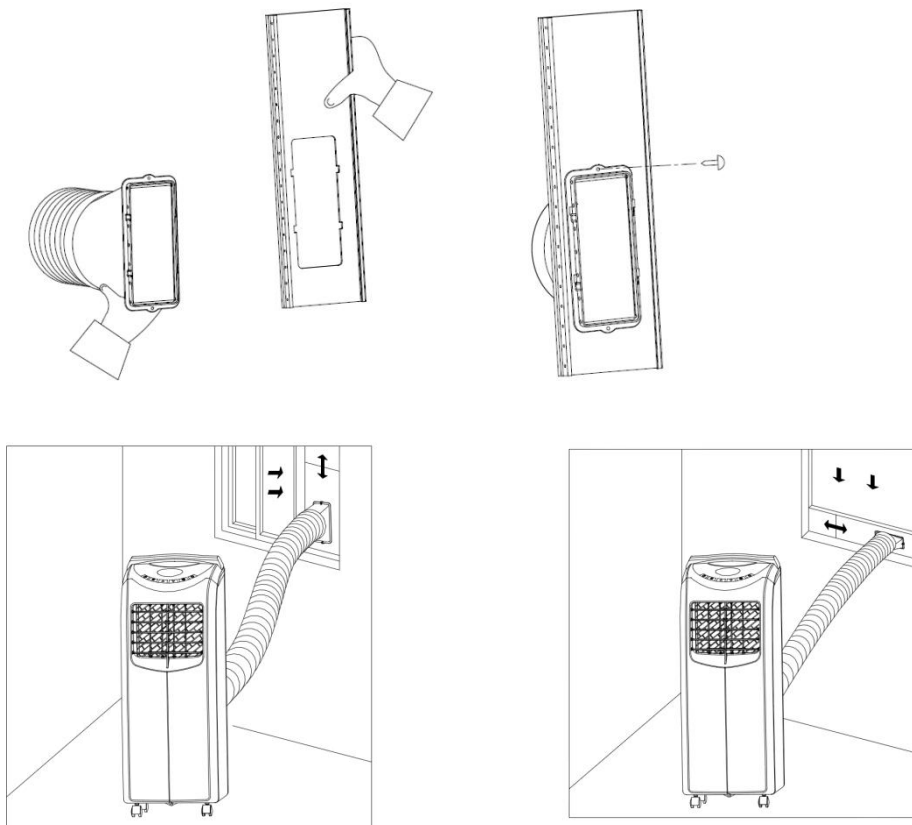
- Mantener dos extremos de la ventana sello de placa para satisfacer los bordes de la ventana, así, asegurar el sello.
- Gire el tornillo en buena posición.

4. Instalación de la unidad

- Mueva el ensamble de manguera de escape instalada adelante de la ventana y mantenga la unidad al menos 50 cm de distancia de las paredes u otros objetos.



- Instale el extremo rectangular del ensamble de manguera de escape en el orificio rectangular correspondiente en la ventana de sello de placa, a continuación, fijar con el tornillo y cerrar la ventana.



Comentarios:

- Deslice el adaptador hacia abajo y asegure adaptador instalado en buena posición.
- Asegure el tornillo firmemente para evitar caerse.
- Manguera de escape no puede ser doblado o flexión con mayor que 45 °, con el fin de mantener una buena ventilación.


Notas Importantes:

La manguera de escape es de 280 mm-1500 mm de largo y que está determinada por la especificación del acondicionador de aire (s). No utilice manguera prolongado o sustituirla por otras mangueras diferentes ya que puede

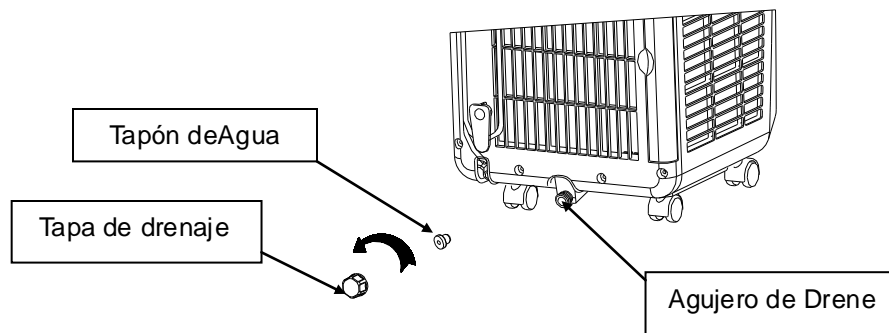
afectar las funciones del aire acondicionado. El tubo de salida debe estar lisa o puede provocar sobrecalentamiento en el aire acondicionado y puede tronpezar, porque la manguera de escape está obstruido.

Instrucción de Drenaje

1. Drenaje manual:

Cuando el volumen de agua sube al nivel de alarma en el tanque de agua, sonidode aviso se prende y la unidad se detiene automáticamente de trabajar, el inicio de sesión llena del agua  y "FL" parpadea en la ventana de LED. Por favor, descargar la condensación de acuerdo con la instrucción debajo de la unidad para recuperar automáticamente la operación.

- 1) Ponga la bandeja debajo de la salida del agua en la parte posterior de la unidad.
- 2) Desenroscar la tapa de drenaje, desconecte el tapón de del agua para el flujo de agua en la bandeja.
- 3) Conecte tapón y el tornillo de la tapa firmemente en del agua de salida de agua después del drenaje.

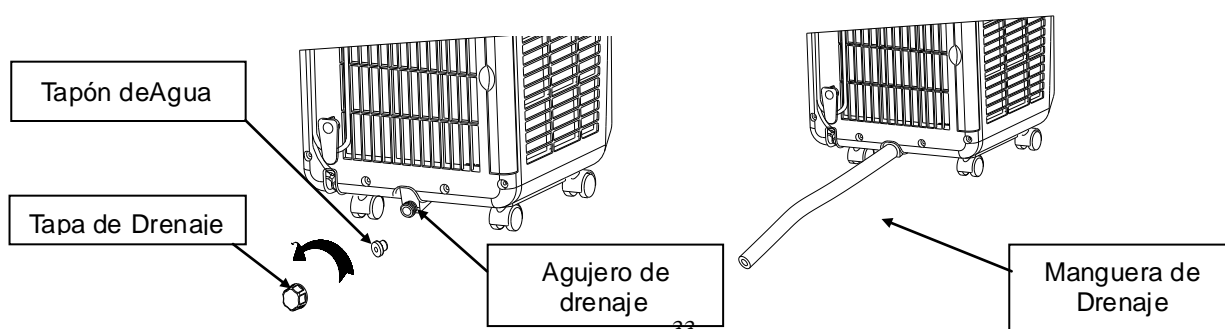


Notas:

- Proteja la tapa de drenaje y el tapón de del agua correctamente.
- Mueva la unidad con cuidado para evitar la fuga si es necesario.
- Incline la unidad un poco hacia atrás cuando drene.
- Bloquee el orificio de drenaje tan pronto como sea posible antes de que la bandeja está llena si no puede contener toda el agua en la unidad para evitar la fuga de agua y mojar el piso o alfombra.
- Tapón de agua y cubierta de drenaje deben estar bien apretados para evitar nueva condensación para mojar el piso o la alfombra cuando la unidad se reinicia de trabajo.

2. Drenaje continuo

- 1) Desenroscar la tapa de drenaje y desconecte el tapón de del agua.
- 2) Conecte orificio de drenaje con la manguera de desagüe de PVC $\phi 13\text{mm}$, tan profundo como sea posible para evitar fugas.
- 3) Tire de la manguera de desagüe para baño o exteriores.



Notas:

- manguera de drenaje se debe instalar antes que la unidad comienza a trabajar.
- Se sugiere utilizar el manual de drenaje cuando la unidad está en modo de refrigeración, para asegurar suficiente agua para reciclar en la unidad para enfriar el condensador y mejorar el rendimiento de refrigeración.
- Coloque la manguera de drenaje en un lugar inaccesible, no más alto que el agujero de drenaje y mantener la manguera de desagüe directamente sin ninguna flexión.
- Mantenga la tapa de drenaje y su tapón instalado correctamente cuando el drenaje continuo para.

Mantenimiento y Servicio

Comentario: Apague la unidad y desconecte el enchufe antes de mantenimiento o enviar la unidad a un centro de servicio.

1. Limpieza de la superficie

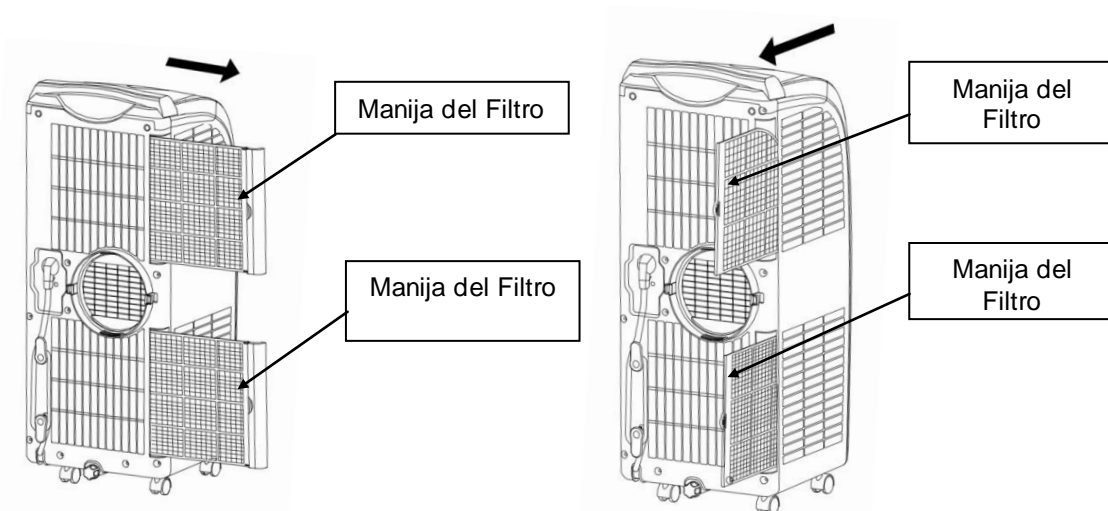
Limpie la superficie de la unidad con un paño húmedo y suave, pero no use solventes químicos como alcohol o gasolina para evitar daños a la unidad.

2. Limpieza del filtro

Limpie el filtro cada dos semanas, de lo contrario influiría mal funcionamiento si el filtro está obstruido con polvo.

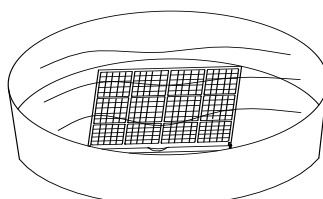
2.1. Cómo limpiar el filtro

- 1) Agarre la manija del filtro y tomarlo a cabo con suavidad en la dirección correcta que indica la flecha.



Notas:

- Utilice fuerza incluso para sacar el filtro.
 - Filtros en el panel trasero son la prioridad, después el filtro en el panel lateral, para evitar cualquier giro o daños a al filtro.
- 2) Limpie los filtros con cuidado en agua tibia (alrededor de 40 °C) mezclado con detergente y luego secalas a la sombra.



Notas:

- No aplastar las mallas.
- No le pegue a la malla con objetos afilados o cepillo.

2.2 Instalación del filtro

Apunte el extremo del filtro hacia la apertura luego empújelo suavemente hacia la apertura.

Nota Especial:

- **Asegúrese de instalar los filtros en el panel lateral al principio y luego instalar el filtro en el panel posterior.**
- Instale el filtro con sentido contrario de retirada.
- Instale el filtro en su lugar con cuidado para evitar cualquier daño a filtro.

Almacenamiento de Fin de Temporada

1. Desatornillar la tapa de drenaje, extraiga el tapón para drenar el agua por completo.
2. Mantenga la unidad funcionando en modo de ventilador con por medio día para secar el interior completamente para evitar moho.
3. Apague la unidad, retire el enchufe y luego envuelva el cable eléctrico alrededor del pilar de alambre de cuerda automática, inserte el tapón en el orificio de fijación universal en el panel posterior de la unidad, instale el tapón de agua y la tapa de drenaje.
4. Retire el ensamble del tubo de escape de calor, limpie y mantengalo adecuadamente.
5. Empaque el acondicionador de aire adecuadamente con una bolsa de plástico blando y póngalo en un lugar seco con las medidas a prueba de polvo adecuadas, y mantenga la unidad alejada de los niños.
6. Saque las pilas del control remoto y mantenerlo adecuadamente.

Nota:

- El ángulo de inclinación de la unidad debe ser inferior a 30 grados.
- Sostenga el ensamble de la manguera de escape con ambas manos cuando retirada.
- Empujar los sujetadores a un lado en la salida de aire de escape con los pulgares, luego extraiga ensamble de la manguera de escape.
- Asegurar la unidad se almacena en un lugar seco. Todos los accesorios de la unidad deberán estar protegidos adecuadamente juntos.

Solución De Problemas

Por favor, revise la unidad y las sugerencias a continuación antes de solicitar servicio profesional, pero nunca desmontar o reparar la unidad usted mismo, puede causar daño a usted ya su propiedad.

Problema	Causa	Remedio
La unidad no inicia	Fallo de la fuente de energía	Conecte la unidad a una toma en vivo y encenderlo
	Iluminación de indicador de agua llena	Drene el agua almacenada en la unidad.
	Temperatura ambiente demasiado baja o demasiado alta?	Se recomienda utilizar esta unidad entre 10-35°C (50-95°F.)
	La temperatura ambiente es más baja que la temperatura establecida en el modo de enfriamiento.	Cambie la temperatura establecida

Efectos de mal enfriamiento	Hay luz solar directa	Cierre la cortinas
	Las puertas y ventanas están abiertas, la habitación está llena de gente o hay otras fuentes de calor	Cierre la puerta y la ventana, eliminar otras fuentes de calor, y añadir nuevos aparatos de aire acondicionado
	Filtro sucio	Limpie o reemplace los filtro de malla
	La entrada o salida de aire obstruidos	Elimine la obstrucción
Alto nivel de ruido	La unidad se coloca en una superficie irregular.	Coloque la unidad en un lugar plano y firme (puede reducir el ruido)
El compresor no funciona	Iniciación de protección contra el sobrecalentamiento.	Espere hasta que baje la temperatura, la unidad se reiniciará automáticamente
El control remoto no funciona	Distancia es demasiado grande	Lleve el control remoto cerca del acondicionador de aire y apuntar al receptor de señal de la unidad.
	El control remoto no apunta al receptor de señal de la unidad.	
	Las baterías no tienen poder	Reemplace las baterías
LED muestra el código de error“E1”	fallo en el sensor de temperatura de tubo	Revise el sensor de temperatura del tubo y circuitos relacionados
LED muestra el código de error“E2”	Fallo en el sensor de temperatura de la Habitación	Revise el sensor de temperatura del tubo y circuitos relacionados
LED muestra el código de error“E4”	Protección de anticongelamiento	restaurará las funciones de forma automática una vez la protección de anticongelante ha terminado.
Luces indicadoras de agua llena	El agua en el chasis está llena	Drene el agua y vuelva a iniciar la unidad

Apéndice

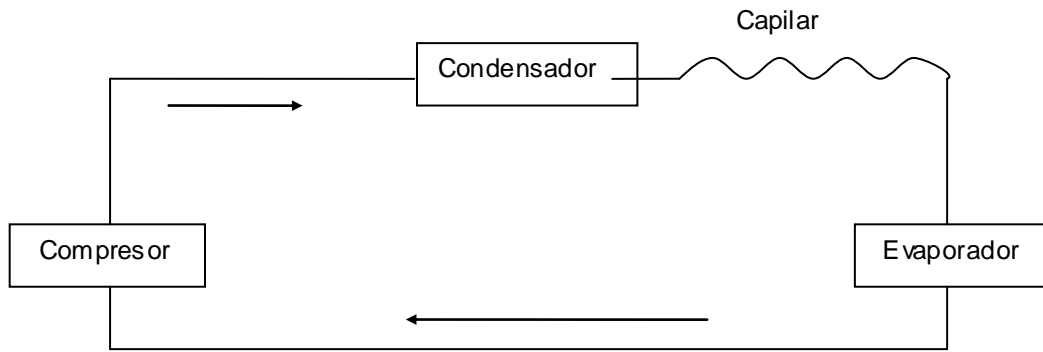
Parámetros de fusibles

Modelo: FSD or 50F

Voltaje: 250V

Corriente: 3.15A

Diagrama esquemático del aire acondicionado



Para los parámetros técnicos específicos del modelo, consulte la etiqueta de clasificación del producto.



Eliminación correcta de este producto

Esta marca indica que el producto no debe eliminarse junto con otras basuras doméstica en todo UE. Para evitar los posibles daños al medio ambiente o a la salud humana que representa la eliminación incontrolada de residuos, reciclar responsable para promover la reutilización sostenible de recursos materiales. Para devolver su equipo usado, utilice los sistemas de devolución y recolección o póngase en contacto con el establecimiento donde se adquirió el producto. Ellos pueden tomar este producto para el reciclaje seguro ambiental.

WARRANTY PERIOD:

Labor: 1 Year from the Date of Purchase.

Parts: 1 Year from the Date of Purchase.

Compressor: 3 Years from the Date of Purchase.

GLOBAL AIR SERVICE CENTER

1941 S.Vineyard Ave.Ste.6

Ontario.CA 91761

Tel:909-974-2859

Fax: 909-974-2865

Hours: 8:30AM-5:00PM PST

TO OBTAIN WARRANTY SERVICE

Contact Global air Technical Support

Email:TechSupport@globalair-usa.com

Phone: 888.470.7342

From 8:30AM to 5:00PM Monday through Friday Pacific Time.