



party block

USER GUIDE

Product Overview

Thank you for purchasing the bēm wireless Party Block. Our speaker will bring you a new found freedom from wires while delivering an incredible sound. The Party Block is compatible with all devices enabled with Bluetooth® technology... which is currently a lot of devices!

Make sure to read through the following directions, fully charge your device and perform the initial Bluetooth® syncing process and you should be up and running in no time. If you have any problems stop on by bemwireless.com for the answers to all your questions.

Package contents:

- Sender x 1
- Satellite Speaker x 1
- Power adapter x 2
- Aux cable x 1
- User's Manual x 1

If any of these were missing or damaged, please visit bemwireless.com to obtain replacement.

Compatibility

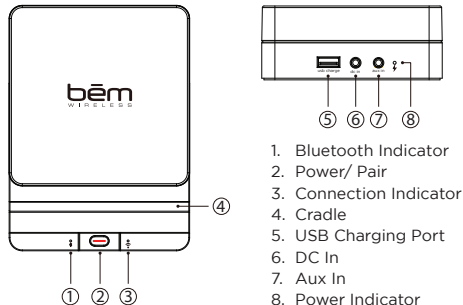
All devices enabled with Bluetooth technology, including iPhones, iPads, iPods, smartphones, laptops, tablets and more.

Also compatible with any device that has a standard 3.5mm earphone jack such as MP3 players, PSP, mobile phones, etc.

Meet the Party Block

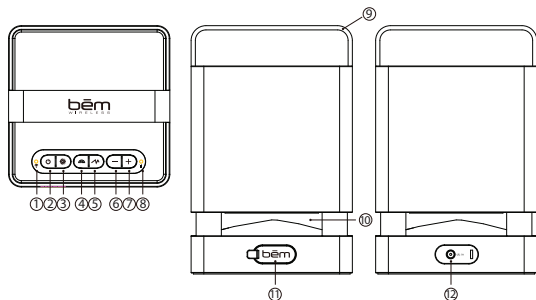
Before learning your Party Block, take a moment to look it over and familiarize yourself with its features.

Product Interface: The Sender



1. Bluetooth Indicator
2. Power/ Pair
3. Connection Indicator
4. Cradle
5. USB Charging Port
6. DC In
7. Aux In
8. Power Indicator

Product Interface: Satellite Speaker



- | | |
|-------------------------|--------------------|
| 1. Connection Indicator | 8. Power Indicator |
| 2. Power/Pair | 9. Handle |
| 3. Light On/Off | 10. LED Lights |
| 4. Light Mode | 11. Rubber Cap |
| 5. Music Sensor On/Off | 12. DC In |
| 6. Volume - | |
| 7. Volume + | |

Getting Started

We know you are excited to experience your new Party Block. These two easy steps will get you up and running quickly.

Step 1: Power It

- Connect your Party Block Sender to an outlet using the included 5V,2A power adapter. It will start charging the Sender. The power indicator will flash slowly during charging and goes out when it has reached a complete charge (Approx. 3.5 hours).
- Connect the Satellite Speaker to an outlet using the included 12V,2A power adapter. The power indicator on speaker will flash slowly during charging and goes out when it has reached a complete charge (Approx. 4 hours).

Step 2: Connect it

There are two options for connecting to your Party Block – wirelessly by Bluetooth® or wired using the included aux cable.

Connect Wirelessly

Turn on the power of the Sender followed by powering on each of the 2 satellite speakers. Once the base is powered on the Bluetooth® indicator will light and a tone confirming that the unit is currently in pairing mode will sound.

Go to the Bluetooth® settings on your mobile phone, tablet or computer to find the device named "Party Block". A tone will sound to confirm the device has paired successfully.

Step 2: Connect it (continued)

Next time the Party Block and connected device will pair automatically. After completing this step you are ready to start playing audio from your connected device.

Holding the Power button for 5 seconds will disconnect the connected device and enter pairing mode for pairing a new device.

Direct Connection

The Party Block can also be connected to any device that has a headphone jack or line out using the included aux cable.

Operation Details

Power on / Power off

Sender: Press the power button to turn on the Sender unit of Party Block. The Bluetooth indicator will light up to signify the unit is on and ready to be paired. Press the power button again to turn off the base and the Bluetooth indicator light will go out.

Satellite Speakers: Press the power button to turn the speaker on. The indicator light on the speaker will light up to signify the unit is on. Press the power button again to turn off the speaker and the Indicator will also go out.

Please note, always make sure to first turn on the Sender unit before turning on the speaker.

Operation Details (cont.)

Play modes

- Bluetooth mode: plays an audio signal from the connected Bluetooth® device.
- AUX mode: plays an audio signal from the connected "wired" device.

Please note, the Bluetooth has the priority to play, if an Aux cable is connected to the speaker, please turn off the Bluetooth® music or disconnect Bluetooth device first for playing an audio signal from AUX.

Audio Use

Follow the above connection steps to pair a Bluetooth® device with the Party Block. At this point you can send any kind of audio signal to your speaker (music, video, gaming, etc.). Just use your device as normal and the audio will play through your Party Block

Controls on the Speaker

- Press Light on/off to turn on or off the LED light feature.
- Press Light Mode to shift among 3 color (Red, Green, White),Lighting mode (warm white) and color change
- Press Music Sensor on/off to turn on/off the music sensor, when the music is on, the light will flash following the pace of playing music.
- Pressing the + and - buttons will increase or decrease the volume on the Party Block. Please note that this will not affect the volume levels on the connected device.

Connection

Laptop / notebook / PC

As the Bluetooth® versions for these types of devices varies greatly, the connection methods will differ as well. If you can not connect with the Party Block using the previous method instructed you may need to install a new version of the Bluetooth® driver.

Please reference the instructions of your device for details.

Speaker Placement

The Sender unit has built-in battery and is portable. This allows the perfect placement of the sender unit for maximum distance.

The speaker can be set anywhere you like. Approximate maximum range is 50 feet from the Sender unit (open area) to the individual Party Block units. The Party Block uses 5.8GHz signal so you're free to put the speakers where you like!

Charging

Connect your Party Block Sender to an outlet using the included 5V,2A power adapter. It will start charging the Sender unit.

The power indicator will flash slowly during charging and goes out when it has reached a complete charge (Approx. 3.5 hours).

Connect the Satellite Speaker to an outlet using the included 12V,2A power adapter. The power indicator on speaker will flash slowly during charging and goes out when it has reached a complete charge (Approx. 4 hours).

Note: If the Satellite Speaker or Sender unit has not used for 7 days, please charge for a minimum of 30 minutes before use.

Charging Your Device

The sender features a standard USB charging port with 5V,1A output at the back which can charge most cell phone and tablet, Please reference the instructions of device for details.

The charging cable is not included.

Using the Device Stand

Slide the sender open to use the device stand. The back rest was designed to tilt your device at a 25 degree angle for optimal viewing.

Adding Additional Speakers

You can run up to 99 Party Blocks off of 1 sender. Just power on Party Block speakers within range of the sender.

Follow these steps to pair your Party Block to another Party Block Sender:

1. Turn on the power to the Sender
2. Hold the power button on the sender for 2 seconds
3. Once the RF LED light begins to flash quickly, turn on the Party Block speaker and it will then connect to the Sender

Weather Resistance

Your Party Block speaker has an IP44 rating against particles (dust) and water. This standard in the industry helps to define the products resistance to particles and liquids. At this rating your Party Block is protected against solid bodies larger than 1mm and against projections of water from all directions.

Troubleshooting

Issue: Pairing is unsuccessfully after multiple attempts

Solution:

- Check if the Bluetooth® indicator light is on. If the indicator light is off, please press the power button to turn the unit on. If the Bluetooth® indicator light still doesn't come on after pressing the power button, please charge the unit.
- Check for other Bluetooth® devices around the surroundings that may interfere with searching and turn devices off.
- Power off and then power on the unit to restart the Bluetooth® Unplug any cables plugged into the AUX IN, restart all devices and then attempt pairing again.

Issue: Interference or static during playback

Solution:

- Avoid using the device between concrete or other building structures that may interfere with the signal.
- Please check if the battery level of the unit and the Bluetooth® device and charge if necessary.

For more troubleshooting help go to <http://bemwireless.com>

Storage

- Power off the Party Block if the unit will not be used for an extended period of time.

- Do not set the unit in a damp environment, high temperatures or in direct sunlight.

Maintenance

Please follow the instructions below for cleaning your Party Block

- Power off the unit and unplug the power adapter from wall outlet
- Use a soft, dry, lint-free cloth and wipe gently
- Do not use alcohol, benzene, thinners or other chemical detergents as these can cause the casing to be warped or discolored

For questions, comments or to purchase more bem wireless products go to bemwireless.com

FCC Statement

1. This device complies with Part 15 of the FCC Rules. Operation is subject to the following two conditions:

- This device may not cause harmful interference.
- This device must accept any interference received, including interference that may cause undesired operation.

2. Changes or modifications not expressly approved by the party responsible for compliance could void the user's authority to operate the equipment.

FCC Statement (cont.)

NOTE: This equipment has been tested and found to comply with the limits for a Class B digital device, pursuant to Part 15 of the FCC Rules. These limits are designed to provide reasonable protection against harmful interference in a residential installation.

This equipment generates uses and can radiate radio frequency energy and, if not installed and used in accordance with the instructions, may cause harmful interference to radio communications. However, there is no guarantee that interference will not occur in a particular installation. If this equipment does cause harmful interference to radio or television reception, which can be determined by turning the equipment off and on, the user is encouraged to try to correct the interference by one or more of the following measures:

- Reorient or relocate the receiving antenna.
- Increase the separation between the equipment and receiver.
- Connect the equipment into an outlet on a circuit different from that to which the receiver is connected.
- Consult the dealer or an experienced radio/TV technician for help

FCC Radiation Exposure Statement

This equipment complies with FCC radiation exposure limits set forth for an uncontrolled environment. This equipment should be installed and operated with minimum distance 20cm between the radiator & your body.

bēm wireless
<http://bemwireless.com/>
bēm wireless LLC.
1725 Kilkenny Ct.
Woodstock, IL. USA
Made in China

Technical Specifications

Note: All specifications are subject to change without notice

Product Name : Party Block

Model Number : HL2536

Power Supply: 5V,2A for Sender and 12V,2A for Speaker

Output power: 10W X 1

USB charging output: 5V,1A x 1

Battery capacity: 3.7V 2000mAh for the case ,7.4V 4000mAh for the speaker

Bluetooth V4.0+EDR , profile Supported: A2DP, AVRCP

Bluetooth working range: Approximately 25ft, 8m

Working atmosphere: 0°C-40°C / 20%-90%RH

CE2200

Safety Instructions

This product is specially designed based on the full attention to safety; in order to make sure the accident-free operation, please abide the guidelines listed below:

- Always position the unit on a stable and level surface. Unstable surface can cause the unit to topple and fall, resulting in possible damage or injury
- Do not drop, unpack, open, beat, curve, prink and burn the unit
- Avoid using the unit nearby basins or sinks where it may come in contact with water
- Do not place any ware with full water on the top of the unit, such as vase, glass, pot, and please avoid placing candle on the speaker surface as well
- Protect the using of the unit from any overheating devices (such as radiator, heating installation, cooking stove or other heating devices)
- Regardless of what reasons cause the unit damage, please ask for the maintenance personnel to repair
- If you want to do the cleaning, please turn off the unit and unplug the power cable from the outlet first
- Set the volume properly to prevent injury to the unit and your personal health



Correct Disposal of this product. This marking indicates that this product should not be disposed with other household wastes throughout the EU. To prevent possible harm to the environment or human health from uncontrolled waste disposal, recycle it responsibly to promote the sustainable reuse of material resources. To return your used device, please use the return and collection systems or contact the retailer where the product was purchased. They can take this product for environmental safe recycling.

Safety Instructions (cont.)

WARNING:

- The battery (battery or batteries or battery pack) shall not be exposed to excessive heat such as sunshine, fire or the like.
- No naked flame sources, such as lighted candles, should be placed on the apparatus.
- CAUTION: Danger of explosion if battery is incorrectly replaced. Replace only with the same or equivalent type.

More Info

For questions, comments or to purchase more bēm wireless products go to: **bemwireless.com**

You can also follow us at:



facebook.com/bemwireless



twitter.com/bemwirelessco



youtube.com/bemwireless

For information on your product's warranty go to:
bemwireless.com/support

IC ID STATEMENT

- English: "

This device complies with Industry Canada licence-exempt RSS standard(s). Operation is subject to the following two conditions:

- (1) this device may not cause interference, and
- (2) this device must accept any interference, including interference that may cause undesired operation of the device."

This equipment should be installed and operated with a minimum distance of 20 cm between the radiator and your body.

- French:"

Le présent appareil est conforme aux CNR d'Industrie Canada applicables aux appareils radio exempts de licence.

L'exploitation est autorisée aux deux conditions suivantes :

- (1) l'appareil ne doit pas produire de brouillage, et
- (2) l'utilisateur de l'appareil doit accepter tout brouillage radioélectrique subi, même si le brouillage est susceptible d'en compromettre le fonctionnement."

Cet équipement doit être installé et utilisé à une distance minimale de 20 cm entre le radiateur et votre corps.

bemwireless.com

bēm wireless | 1725 Kilkenny Court | Woodstock IL 60098

TEL: 855-839-8616

© 2014 bēm wireless