

## Deco Grid Fence Installation Instructions

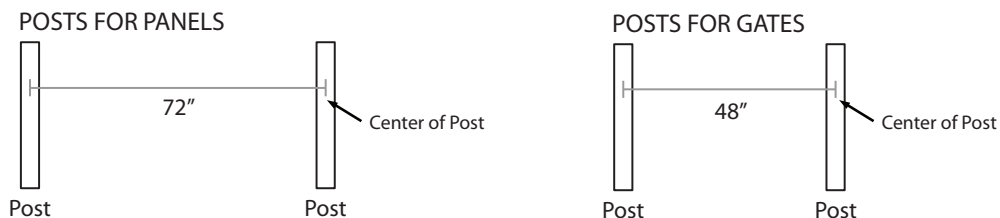
### REQUIRED TOOLS:



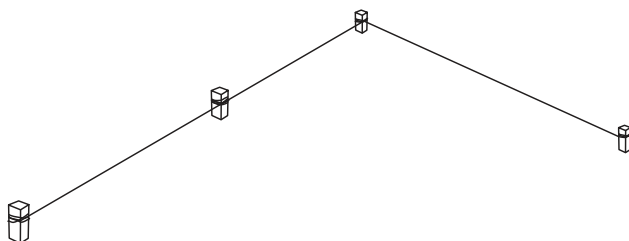
**PLEASE NOTE:** Additional accessories are required if installing on hard surface, such as a deck, or if mounting the end panel to a wall. Please consult with your local store for information regarding the necessary materials.

### STEP 1: PLAN YOUR DESIGN

Decide on your layout and remember to consider where the gate will be installed. Regular posts should be set 72" apart, measuring from center to center of each post, while gate posts should be set 48" apart, center to center.



Layout the perimeter of determined fencing area with stakes and masons string to keep posts in line when installing. Place the wood stakes where you intend on installing the posts.



## STEP 2: POST INSTALLATION

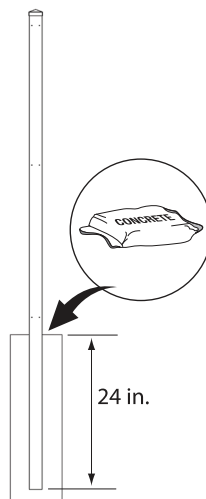
Starting with the first post, remove the stake from the ground and dig a hole measuring approximately 8" in diameter and around 22" deep in the stakes place. Once the hole is dug, position the post in the hole and check to make sure the pre-cut holes are facing the direction the panels will be installed. Using a hammer and a block of wood (to protect the post) hammer the post into the ground approximately 2-1/2" so the post is 24-1/2" below ground level. This will provide stability when pouring concrete and attaching the panel to the post.

**TIP:** Measure 49.5" from the bottom of the post and mark with chalk or a temporary marker to ensure proper height placement. The 49.5" mark on the post should align with ground level.

Once the first post is in the ground, pour concrete to fill the hole, filling just enough to provide a slight slant for water runoff.

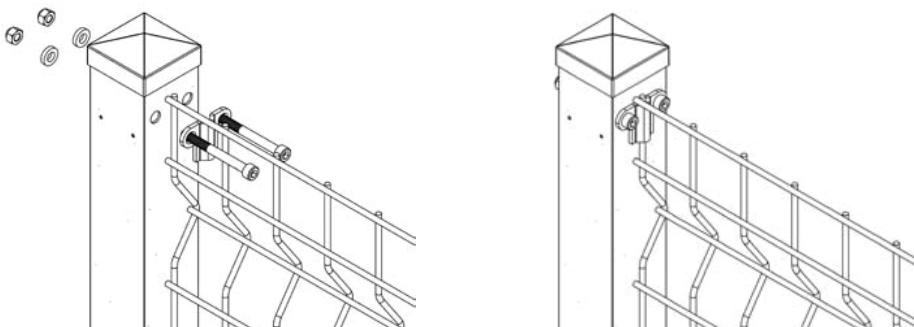
Continue with remaining posts.

If installing on a hard surface such as a deck or patio, a flange post must be used and can be installed by simply mounting the hardware to the surface (screws/bolts not included with flange post). Posts should be installed at the same width as mentioned above.



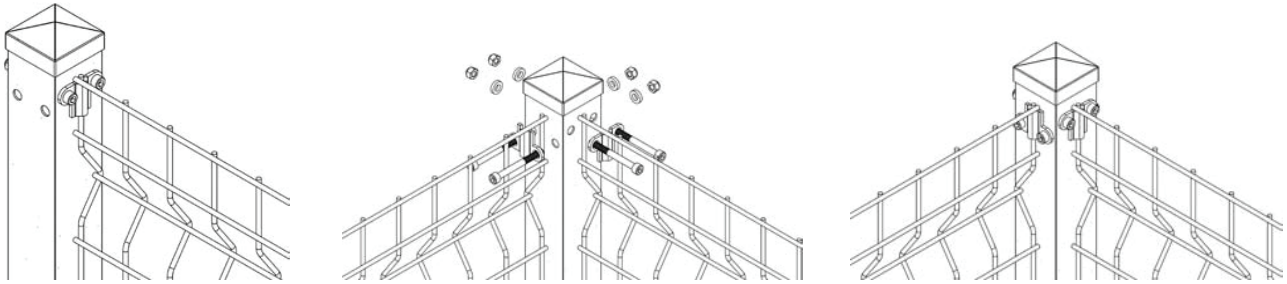
## STEP 3: PANEL INSTALLATION

Each Deco Grid fence post has pre-drilled dimples to mark the drilling location for a standard install. Using the clamps, nuts and bolts included, mount the panel to the post, aligning the edge of the panel in the center of the two pre-drilled dimples.



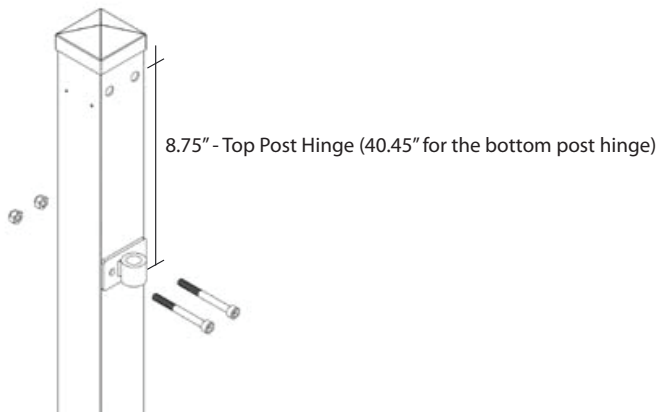
## CORNER PANELS

If installing on a corner, holes must be drilled on the appropriate side to make a 90° angle. When drilling, make sure they are aligned with the pre-drilled dimples. Once holes are drilled, install panels in the same manner as mentioned above.

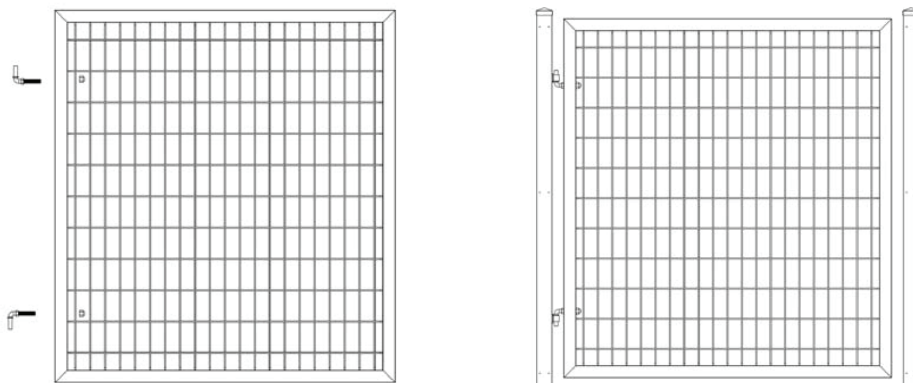


## GATE INSTALLATION

Determine which side you would like the gate hinge to be mounted, and mark holes on the post to identify hinge location. Measuring from the bottom of the post cap to the bottom of the hinge, the top hinge should measure 8.75" from the bottom of the post cap, while the bottom hinge should measure 40.25" from the bottom of the post cap. Drill 3/8" holes in post where the hinges will be installed.

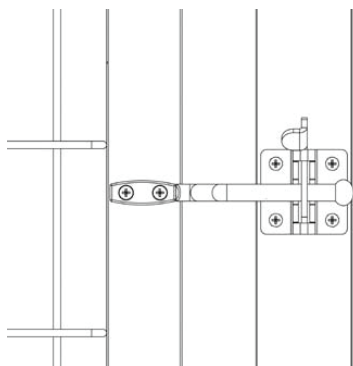


Next, mount gate side of hinge into existing holes in the gate. Mount the bottom post hinge on the post with nuts and bolts included. Do the same for the top hinge. Install gate by hooking the bottom gate side hinge into the bottom post hinge, and the same for the top. Once connected, bolt into place.



## LATCH INSTALL

Attach latch and striker to post and gate at preferred height using self tapping screws.



## CUTTING PANELS

When you reach an area that is shorter than 72" wide, you can cut the panels using a hand saw or reciprocating saw to the desired width. Measure the distance between the two posts to get the size for the short panel. The panel must be cut in 1-7/8" increments ending with a vertical wire.

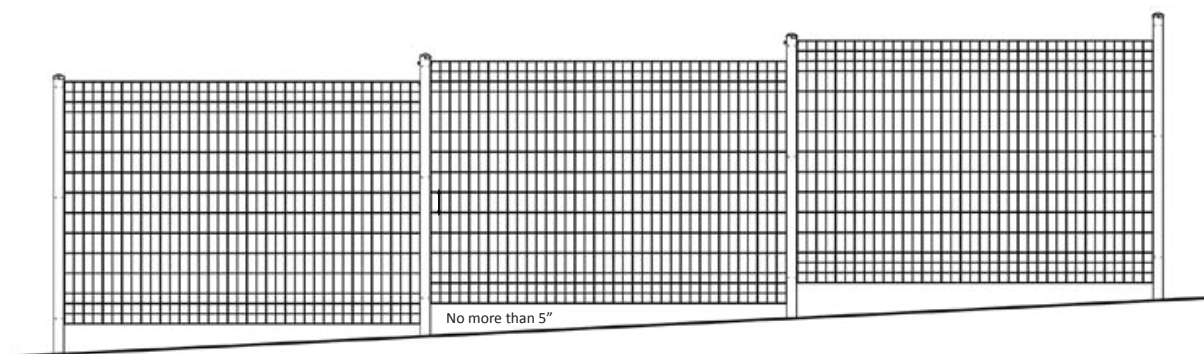
Once panel has been cut, touch up ends with exterior quality black paint to help prevent rusting. Once the paint has dried, continue with installation.

## INSTALLING AT ACUTE OR OBTUSE ANGLES

If you want to install a corner that is less or greater than 90°, you will mount the panel in the same fashion, however the holes will have to be drilled depending on the angle desired.

## INSTALLING ON AN INCLINE

While this fence is designed to be installed on flat ground, it can be installed on a slight incline by using a stepped post installation method. This is achieved by setting the posts at a taller height as needed. It is not recommended to exceed 5".



**WARNING:** VERIFY LEGAL REQUIREMENTS FOR USE WITH POOLS, HOT TUBS, AND SPAS.

Note: See Warning on [forgerightfences.com](http://forgerightfences.com)