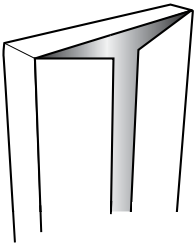


Premium Security Screen Door Installation Instructions

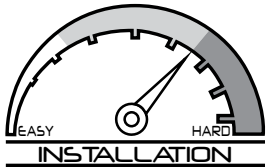


- Read completely through the installation instructions before proceeding with installation
- Installation requires two people
- Use appropriate protective equipment, including safety glasses
- Children should not be allowed in work area
- Failure to install door correctly could result in injury



RETAIN PACKAGING DURING INSTALLATION

Do NOT discard packaging materials until installation is complete



PROFESSIONAL INSTALLATION RECOMMENDED

Above average degree of difficulty. Requires installation experience.



helpmeininstallit.com

NEED HELP?

REVIEW INSTALLATION VIDEO

Even professional installers will benefit from watching.



1-866-317-8867
support@uhdco.com

CONTACT US BEFORE RETURNING

Customer service and technical support are available.
Monday - Friday: 6:30am - 4pm PST

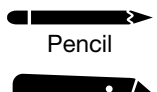
RECOMMENDED TOOLS



Safety Glasses



Measuring Tape



Pencil

Box Cutter



Drill Bits

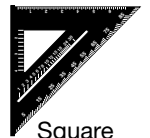
7/64" & 3/32"
minimum length: 2-3/4"
1/2" Spade Bit



Drill



Needle Nose
Pliers



Square



Phillips-head & Flat-blade
screwdriver



Tin Snips



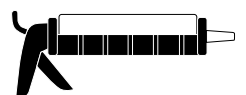
1/2" Wood Chisel



Rubber Mallet



Wood Blocks (2"x4"x6")
Shims



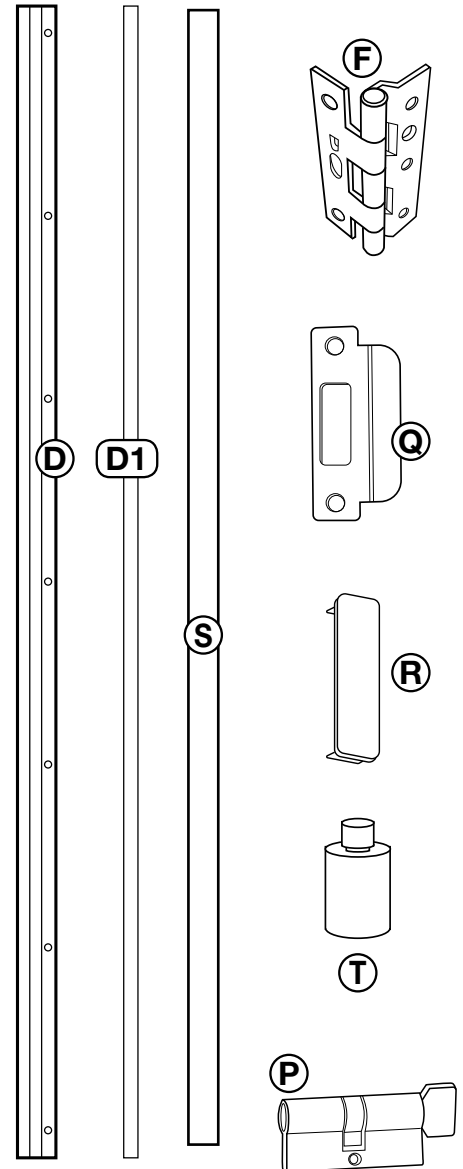
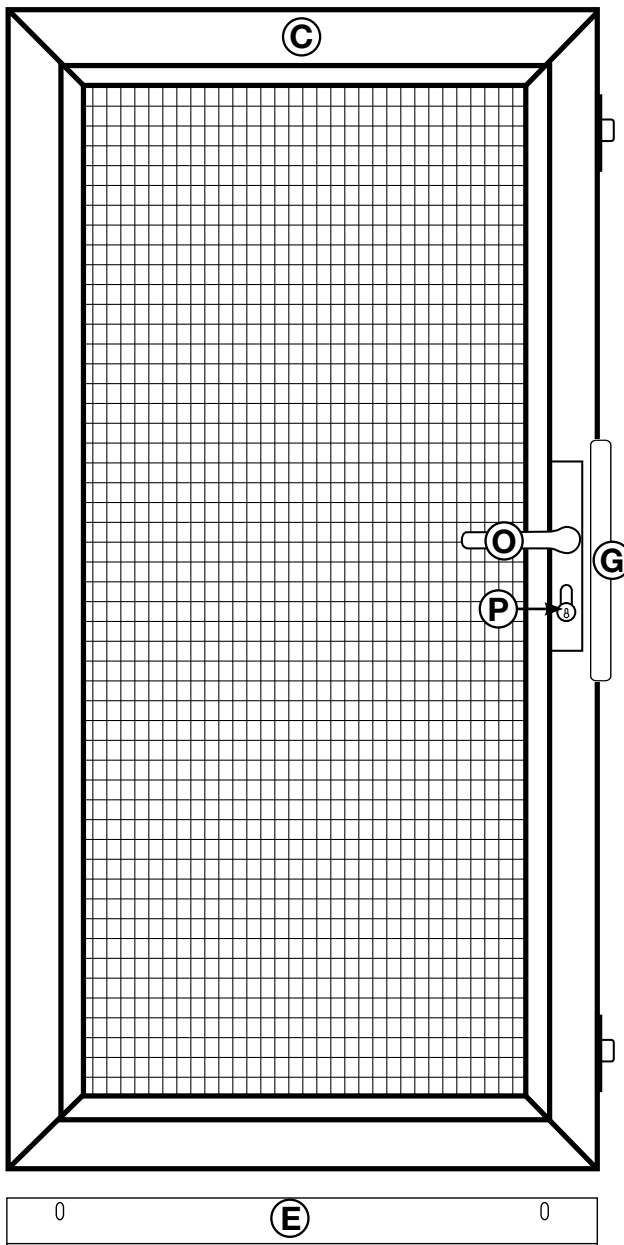
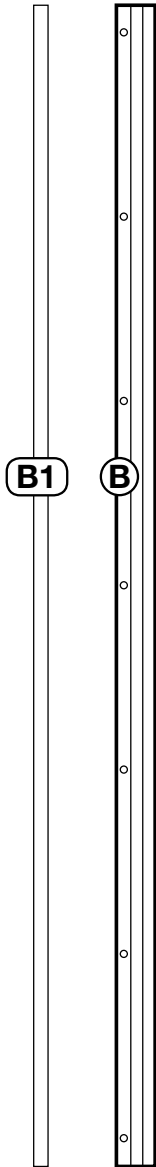
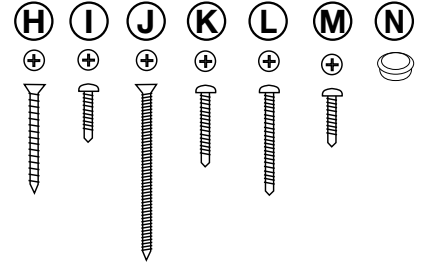
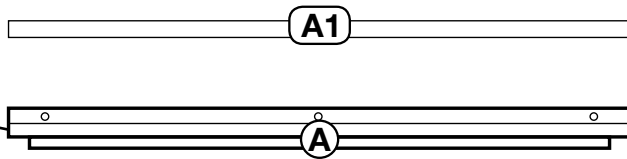
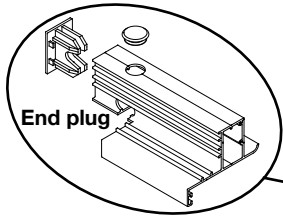
Paintable Caulk &
Caulk Gun

DOOR PARTS

- A) Top header jamb
- A1) Top header jamb snap cover
- B) Hinge-side jamb
- B1) Hinge-side snap cover
- C) Security screen door
- D) Lock-side jamb
- D1) Lock-side snap cover
- E) Bug sweep

HARDWARE & FASTENERS

- F) Hinges (3)
- G) Latch guard
- H) #8x1" flat-head screws (14 pcs.)
- I) #6 x5/8" pan head screws (white - 10 pcs)
- J) #6x2" temporary dry wall screws (10 pcs)
- K) #14x3/4" pan head screws (2 pcs)
- L) #8x1" pan head screws (20 pcs)
- M) #6x5/8" self-tapping pan head screws (4)
- N) Screw cover caps (white - 2 pcs)
- O) Handles (2)
- P) Lock cylinder (1)
- Q) Latch strike plate (1)
- R) Latch hole plug (1)
- S) Throw protector (do not remove until step 7)
- T) Touch-up paint



1 Identify and prepare mounting surface

Inspect Your Entryway for Obstructions

Check for any obstructions above and around your entryway that may prevent the outward swing of your new security door, and/or its installation, such as:

- Light fixtures
- Low overhang
- Door bell
- Trees, bushes, or hanging plants

Determine Type and Readiness of Mounting Surface

Your security door will require a minimum mounting surface of 1" on both sides of a corner of the trim or jamb above and on both sides of your entry door. Review diagrams at right and determine which one most resembles the trim around the entry door to which you will mount your security door.

Measure Your Opening

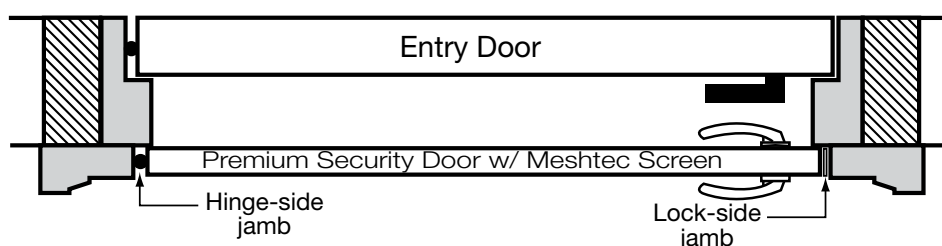
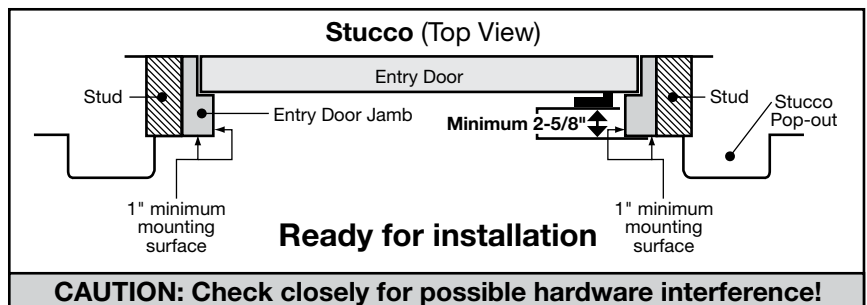
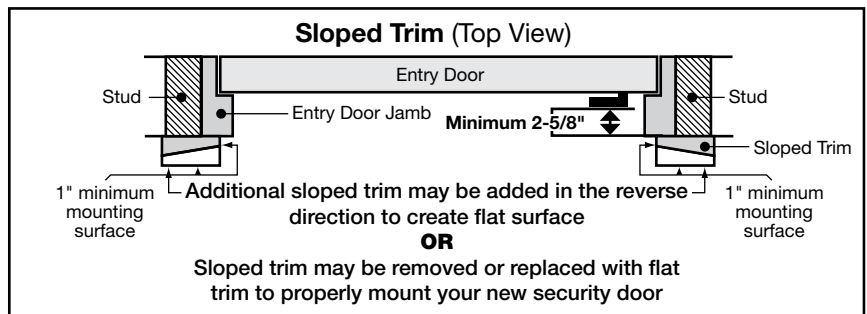
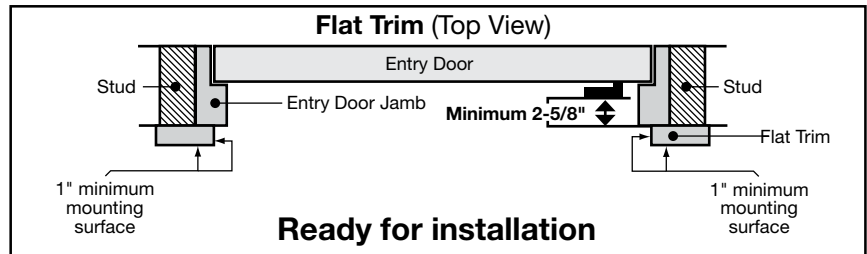
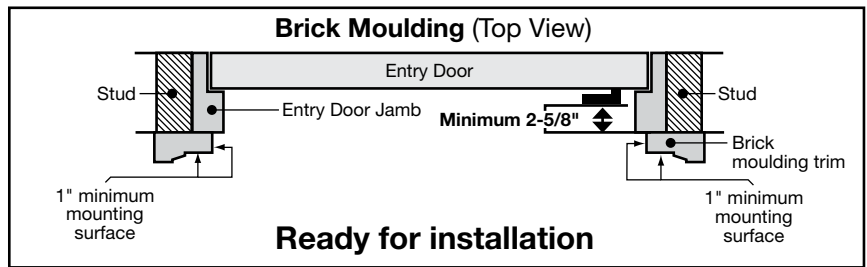
Measure between the edges of the left and right mounting surfaces for opening width. Measure between the edge of the upper mounting surface and the existing threshold for opening height. Use the following chart and these measurements to be sure the security door will fit your opening.

Security Door Size	Fits Door Opening Sizes	
	Width (W)	Height (H)
32" x 80"	31 3/4" - 32 3/8"	80" - 80 7/8"
36" x 80"	35 3/4" - 36 3/8"	

If the opening identified does not fall within the fit range, you can check to see if there is another mounting surface in your entryway that will work, build your mounting surface out using stop or similar trim, or remove and reconfigure your trim to fall within the fit range.

Check for Hardware Interference

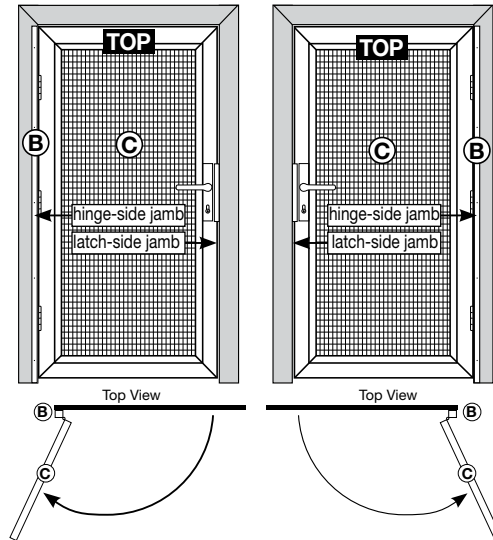
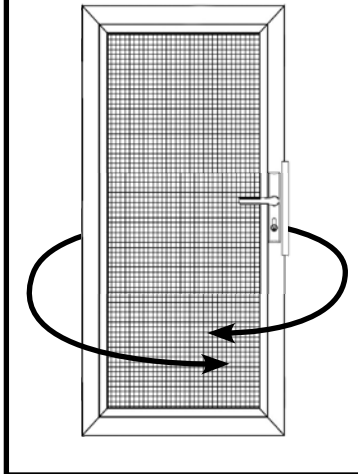
Measure the depth from the corner of your mounting surface to your existing entry door hardware. If this measurement is 2-5/8" or greater there is no potential for hardware interference. If the measurement is less than 2-5/8", measure from the edge of the mounting surface on top of the door to the top and bottom edge of the part of your existing hardware that intrudes into the 2-5/8" clearance. If either of these two measurements falls between 40-1/4" and 44-1/4", the security door and existing door hardware will interfere with each other. You can either build your mounting surface out to create the clearance required or mount your security door with an opposite swing to your main entry door.



2 Determine swing

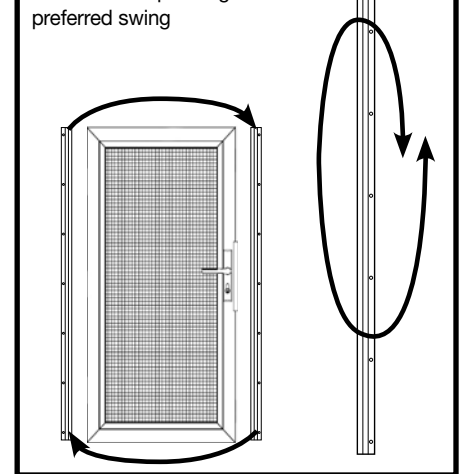
1 Door Panel Rotation

With top of door always remaining at the top, rotate door to left or right



2 Latch-jamb positioning

Cartwheel the latch jamb in to position on right or left of door depending on preferred swing

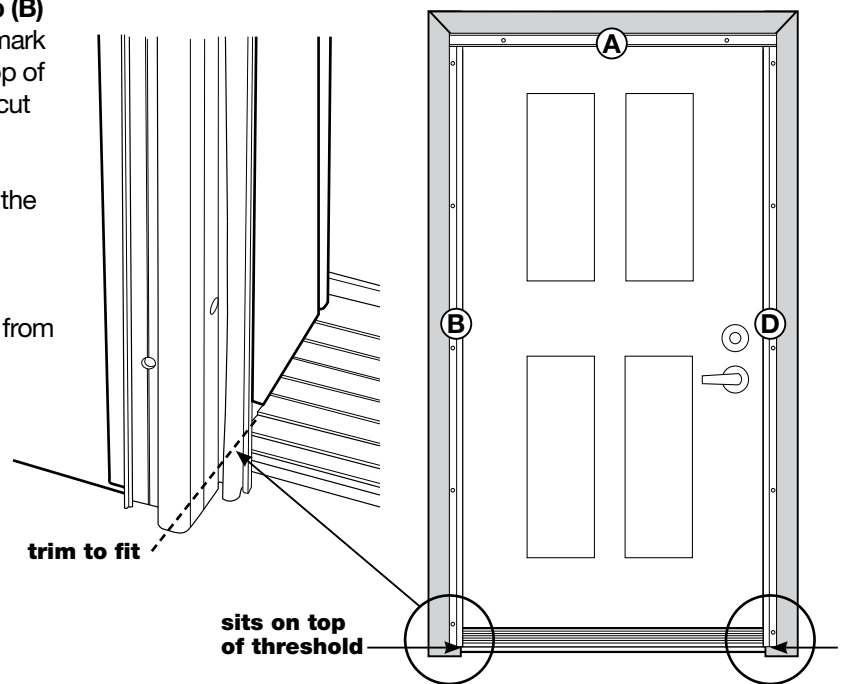


3 Test fit frame and trim side jambs

Place the **top header jamb (A)** and **hinge-side jamb (B)** into position. If the **hinge-side jamb (B)** is too long, mark with a pencil at the **bottom** (the jamb should sit on top of the threshold). Slide weather stripping up just above cut mark and trim jamb to length.

Follow same test fit and measurement procedure for the **lock-side jamb (D)**. Trim to length if necessary.

When jambs are trimmed to proper length slide the weather stripping flush to uncut end and trim excess from the cut end.

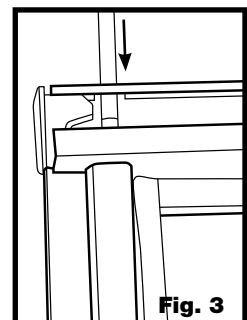
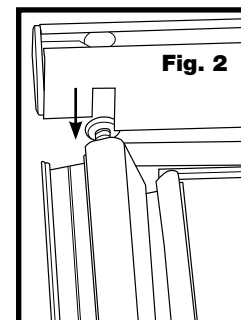
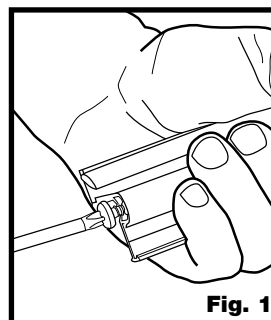


4 Assemble 3-piece frame

On a clean flat surface (suggest cardboard or moving blanket to protect paint finish from scratching) place the **top header jamb (A)**, **hinge-side jamb (B)** and **lock-side jamb (D)** into position. Assemble the frame using #14x3/4" screws (**K**). Install screw at the top of each side jamb allowing the screw to protrude 1/8" (**Fig. 1**).

Attach the **top header jamb (A)** to each **side-jamb** by sliding the screw into the slots on the **top header jamb (A)** (**Fig. 2**). Using a phillips-head screw driver tighten the screws the rest of the way in (**Fig. 3**).

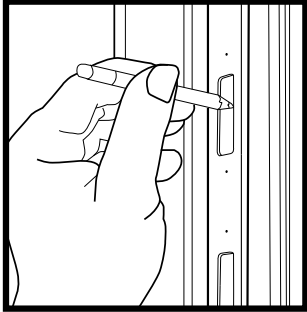
If necessary trim weather stripping to length so it is a flush fit at each top corner of the frame.



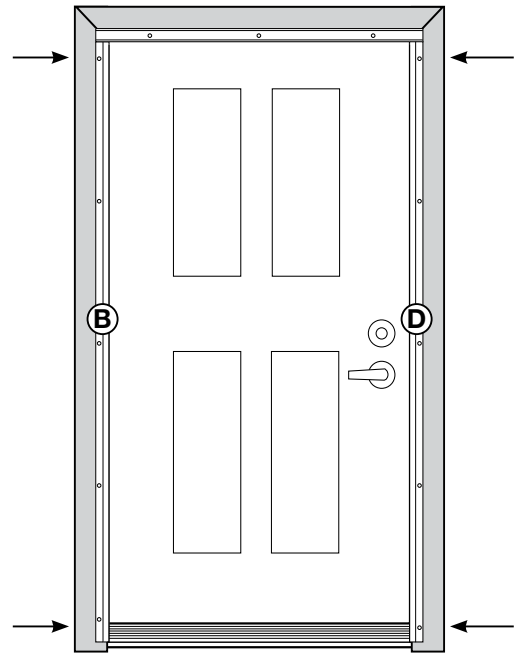
5 Install frame and prepare latch holes

Place the assembled 3-piece frame inside the opening. Install two temporary mounting screws (#6x2" drywall screws **(J)**) on each side-jamb (**B & D**). One at the top and one at the bottom.

These screws are inserted to temporarily hold the jambs in place. **Do NOT install permanent screws until the door is completely up and working properly.**

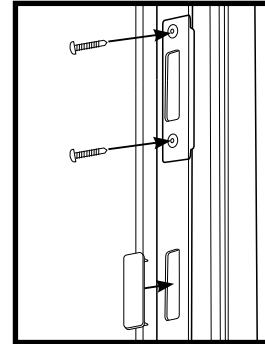
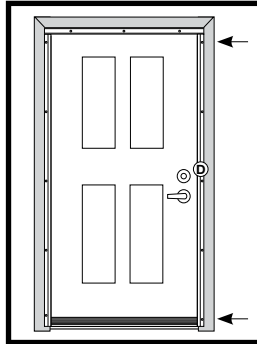
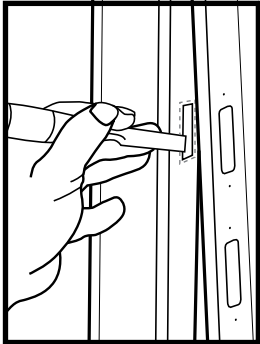


Trace all 3 latch holes onto the mounting surface including top, bottom, and upper most of the two center latch holes.



Prepare latch holes in mounting surface:

Remove temporary screws from **lock-side jamb (D) ONLY** and slide jamb away from opening to expose marks made on the mounting surface. Use a block to prop up the bottom of the latch-side jamb while preparing the latch holes.



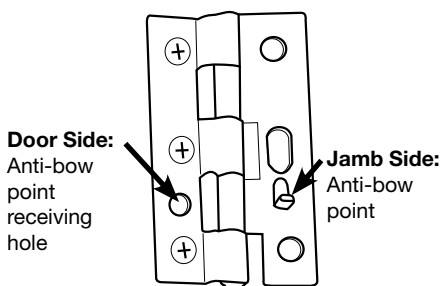
Use a 1/2" wood chisel or spade drill bit (1/2") to clean the latch hole area out to a depth of 3/4". Chisel out a slightly larger area than marked to allow for adjustment if necessary.

Re-install latch-side jamb using temporary screws.

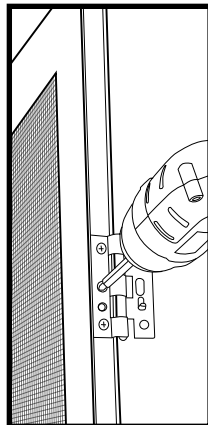
Do NOT install permanent screws.

Install latch strike plate (**Q**) to upper most center latch hole using #6x5/8" self-tapping pan-head screws (**M**) and install latch hole plug (**R**) into unused lower most center latch hole.

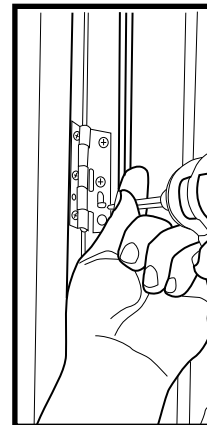
6 Attach hinges and hang door



Note: The Anti-bow point receiving hole lines up with the pre-drilled hole on the door.



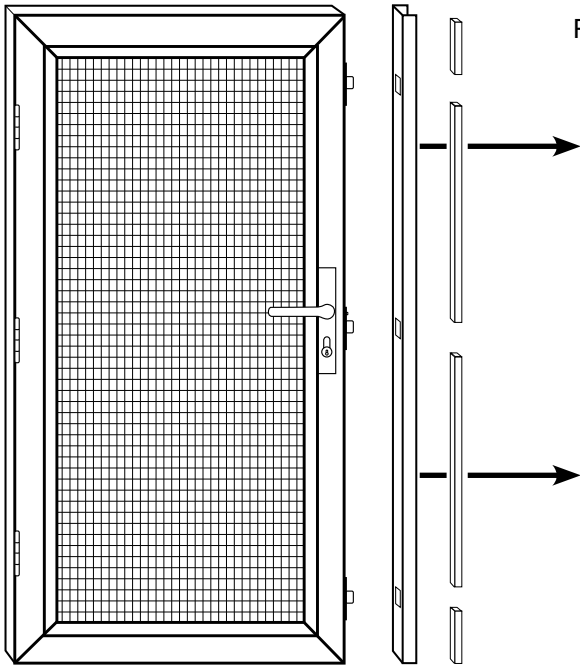
Place hinge (**F**) over pre-drilled holes on the door. The flat part of the hinge attaches to the door. The barrel side of the hinge should always be on the outside of the door. Use screws provided with the hinges and attach all 3 hinges to the door.



Have a helper hold the door in place. It is important the door is held in proper alignment so the first mounting screw in each hinge is driven straight into the door panel. It may help to use blocks or similar props to assist in keeping the door properly aligned. Attach all 3 hinges to door using screws that attached hinges to jamb.

CAUTION: Do NOT lay door on it's side so that it rests on the 3-point lock throws. This will cause the system to offset and you will need to remove and reset the locking system (see step 10).

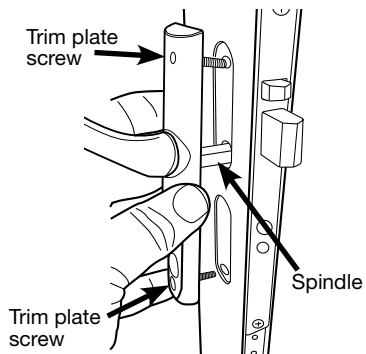
7 Remove throw protector



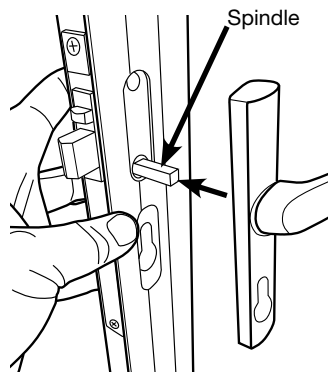
Remove tape and discard throw protector (S).

8 Install handle and lockset

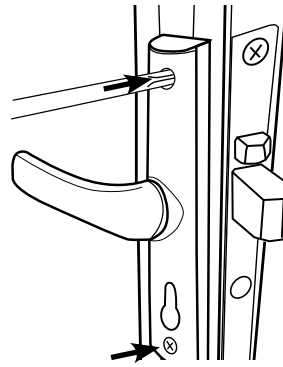
1) Start on the **interior** side of the door. With the handle (O) facing toward the screen, insert the spindle and mounting screws through the mortise gear in the door panel.



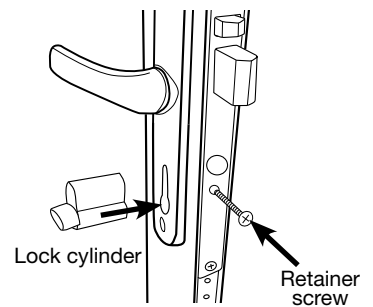
2) On the **exterior** of the door with the handle pointing toward the screen, align the openings on the inside of the handle with the spindle and mounting screws. Position the handle against door frame.



3) While holding both handle trim plates in place, tighten the mounting screws and then back off 2 turns. These screws will be tightened after the lock cylinder is installed.



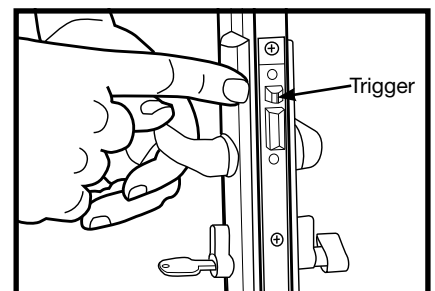
4) From the **inside** of the door, insert the lock cylinder (P) into the door through the trim plate. Using a Phillips-head screw driver, tighten the retainer screw until snug. Do **NOT** over-tighten. Tighten the two handle mounting screws until snug.



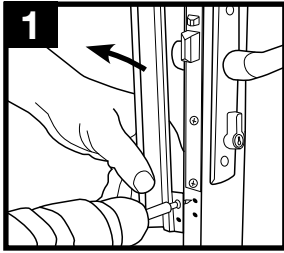
9 Test locking mechanism

With the door open, retract the 3-point locking mechanism using the key or the thumb turn. Keep the door **OPEN** and test the mechanism by first depressing the 3-point locking system trigger, then deploying the locks using the key or thumb turn. If the locks will not deploy, the system has been offset and must be manually reset.

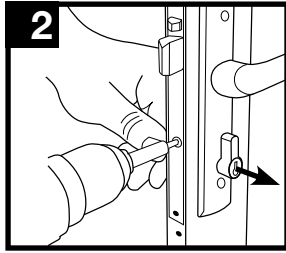
If test is successful, install screw cover caps included with door handles on interior and exterior sides of door handles. If not, proceed to step 10 before installing screw cover caps.



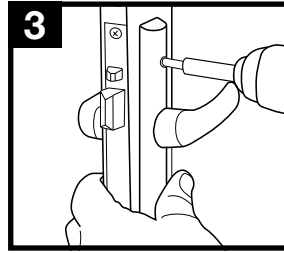
10 Reset locking mechanism IF REQUIRED



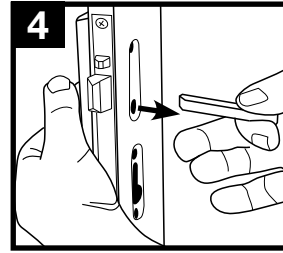
Remove latch guard, if installed (4 mounting screws, 2 top, 2 bottom, on edge of door frame).



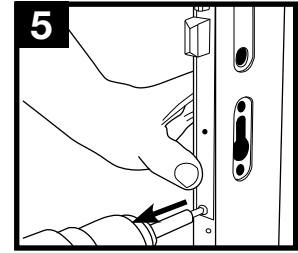
Remove cylinder by removing set screw through edge of door panel and pulling cylinder out of the door.



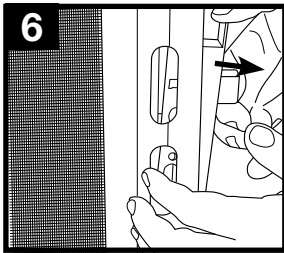
Remove handleset trim plates (2 mounting screws) – hold handles so they do not drop to floor.



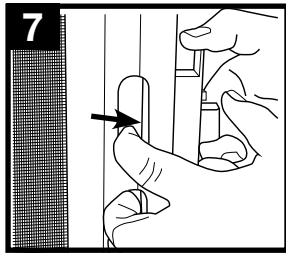
Remove handles and spindle.



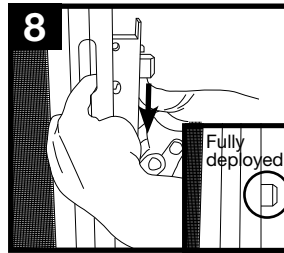
Remove the 2 mortise lock mounting screws in edge of door panel.



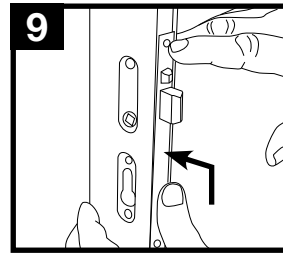
Grab main throw with one hand and pull mortise lock part way out of edge of door.



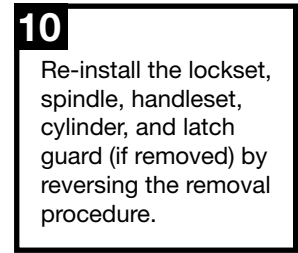
Place other hand BEHIND the black plastic linkage connector and keep pressure on it so that it stays connected to the mortise lock as you pull the mortise lock until it is almost out of the door.



With one hand still keeping pressure on the connector so it remains attached to the lock, use the other hand to move the lockset down. Listen for it to click, the top and bottom lock throws will fully deploy.



Ensuring the linkage connector stays attached to the back of the lockset, raise and slide the lockset back into the door panel.



Re-install the lockset, spindle, and latch guard (if removed) by reversing the removal procedure.

11 Install permanent mounting screws

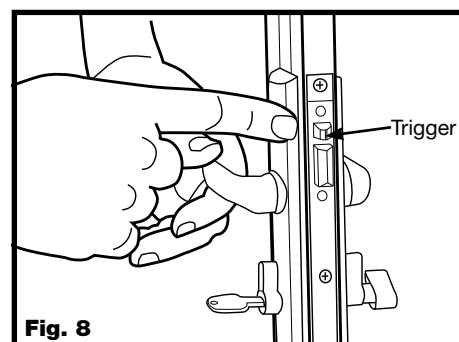
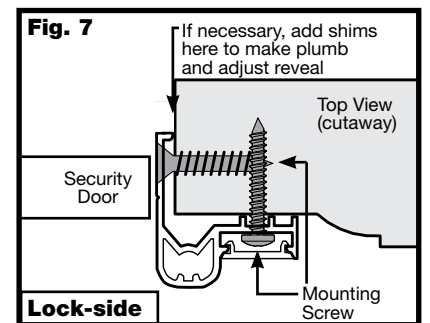
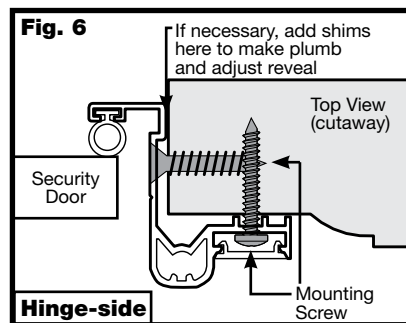
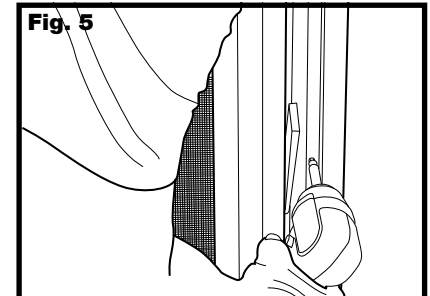
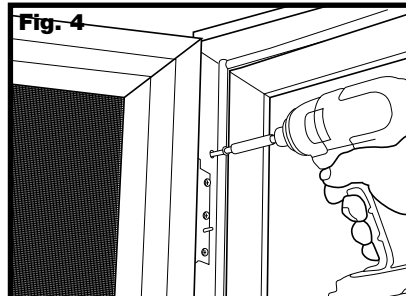
Hinge-side jamb (E):

Pre-drill through mounting holes with 3/32" drill bit. Install permanent **INSIDE** screws (#8x1" flat-head screws **(H)**) into the **INSIDE** mounting holes (**Fig. 4**) checking that reveal stays even and 3-point locking trigger will engage as you install each screw. You may need to shim between the frame and mounting surface if tightening or loosening screws does not maintain the reveal and 3-point lock does not engage (**Fig. 6 & Fig. 8**).

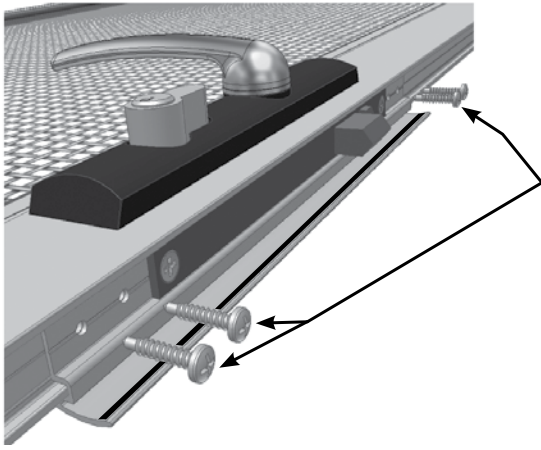
Lock-side jamb (D):

Close the door. There should be a 1/8" reveal on the latch side. If necessary, place shim(s) between the door and frame to create the 1/8" reveal (**Fig. 5**). Pre-drill with 3/32" drill bit. Install **OUTSIDE** permanent screws (#8x1" pan-head screws **(L)**) into all **OUTSIDE** mounting holes (**Fig. 5**). You may need to shim between the frame and mounting surface if tightening or loosening screws does not maintain the reveal and 3-point lock does not engage (**Fig. 7 & Fig. 8**).

Install **ALL** remaining permanent screws **INSIDE** and **OUTSIDE** of hinge-side jamb, latch-side jamb and top-header jamb adjusting and/or shimming as described above.

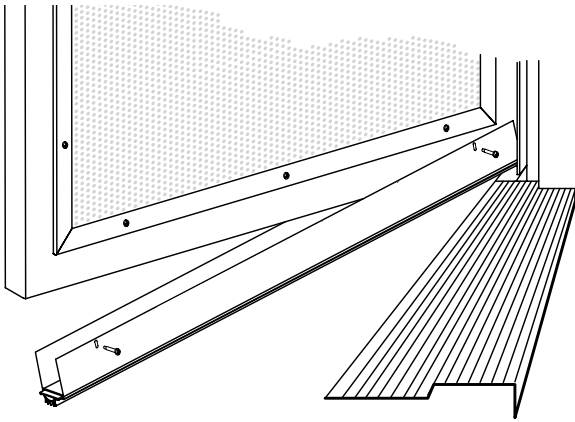


12 Install latch guard



Attach the latch guard (G) provided in the hardware box to the door using four #6x5/8" pan head screws (I) in the pre-drilled holes.

13 Install bug sweep



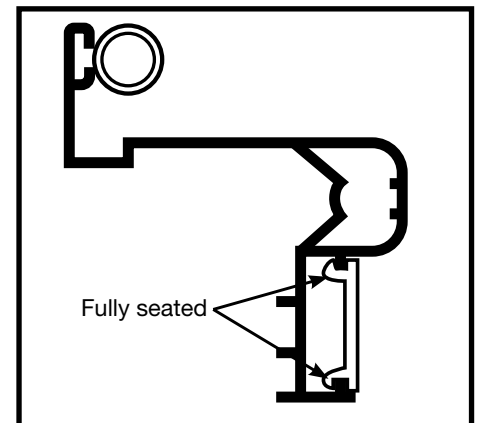
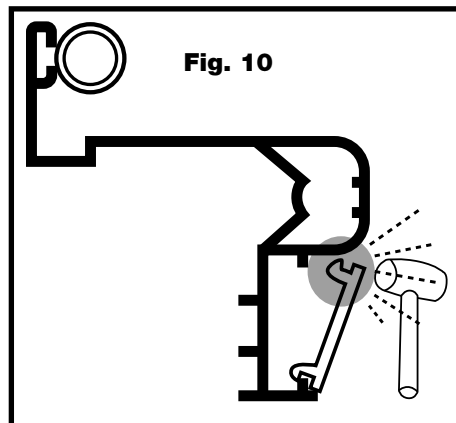
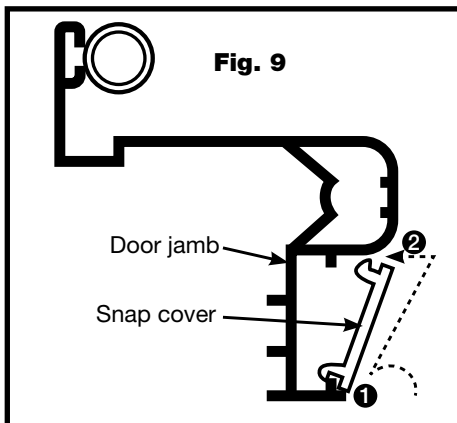
Open the door. Slip the multi-blade bug sweep (E) onto the bottom of the door. Hold sweep in place and close the door. Allow the sweep to fall and sit resting on the existing threshold.

Note: Be sure there is not a gap between the sweep and the existing threshold and that the sweep is centered on the bottom of the door. Using the screws provided, attach the sweep to the bottom of the door. Test that the door opens and closes freely. If not, loosen the screws and make necessary adjustments. Re-tighten screws and test again. Repeat until successful. Cover screw heads with screw cover caps (N) provided.

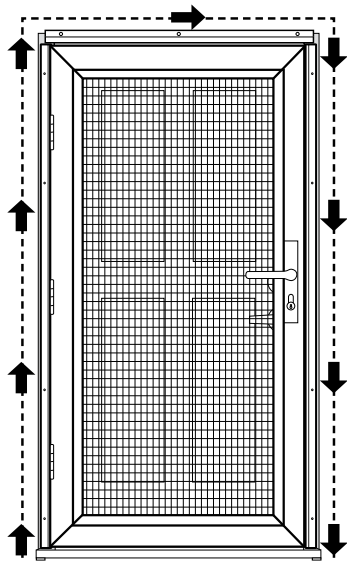
14 Install snap covers

Place the snap cover (A1) in the top-header jamb (Fig. 9, step 1). Using a rubber mallet, hit on the side of snap cover seen in (Fig. 10) to securely snap cover into place. Once snap cover is secured, hold a wood block over the length of the snap cover and hit with mallet to smooth any irregularities in the snap cover surface.

Repeat process for the hinge-side (B1) and lock-side (D1) snap covers.



Final touch-up suggestions



- ① Caulk (not included)**
Caulk around the outside of the security door jamb frame, using paintable caulk, and paint to the desired color.

- ② White Grease Lubricant (not included)**
Use white grease to lubricate the hinges of your new security door.

Care and maintenance

Over time, airborne dust, dirt, and impurities can accumulate, which will cause visual defects to your Meshtec screen and, if not regularly and properly removed, can lead to further damage, staining, and corrosion. Your cleaning schedule depends upon your environment:

ENVIRONMENT	DESCRIPTION	CLEANING SCHEDULE
Mild	Inland, rural, and away from industry and urban activity	every 6 months
Moderate	Urban/suburban, inland, and away from heavy industry	every 3 months
Extreme	Urban/suburban, coastal (within 25 miles), or near heavy industry	every 2-4 weeks

Thoroughly wash the screen and door frame using a soft cloth, mild soap, and water. Take care to avoid exposing handles, main lock, and 3-point locks to excessive amounts of water. Using a dry, soft cloth, remove any excess water when done. Pay particular attention to drying the screen to frame attachment area fully. Avoid using any sharp objects or abrasive materials on the door frame or screen. Use white grease to lubricate the hinges at each cleaning.

Warranty

Your Unique Home Designs security door with Meshtec Advanced Screen System is warranted against manufacturer defects under normal, residential use for the first 10 years you own the product, and terminates if you sell or otherwise transfer the product or the property upon which it was installed. An additional 5 years warranty protection is awarded (for 15 year total warranty) when the product is registered on-line at uniquehd.com/registration. Bug sweeps, weather-stripping, composite materials, and hardware included with or installed on the security door are covered for one year from date of purchase. Accessories fitted to the security door are not covered by this warranty, including but not limited to locks, handles, rollers, and closers. These accessories may be covered by warranties provided by the manufacturer or supplier of the products. Any problem caused by abuse, misuse, failure to follow care and maintenance instructions, adjustments due to settling of the structure that the product is mounted on, improper installation, or acts of God are not covered. Cutting parts not specified by the installation guide and parts drilled incorrectly are not included in this warranty. If manufacturer defects occur, Unique Home Designs will, at our discretion, either repair or replace the door. If your home is burglarized and entry was accomplished through a UHD security door, locked with the 3 point locking system, while this warranty is in effect, UHD will pay your insurance deductible up to \$1000 or replace, as applicable, the damaged UHD security door at no charge. Replacement items may vary in style due to changes in suppliers and product. Not all colors can be reproduced if colors have been discontinued. UHD is not responsible for any labor expense required to repair or replace the door. UHD is not responsible for securing the property while warranted items are being repaired or replaced.

To make a claim under this Warranty, send a brief written description of the problem, a picture of the claim, proof of purchase, and your contact information to: Unique Home Designs, 973 N. Colorado Street, Gilbert AZ. 85233
Attn.: Warranty Claims

"Meshtec" is the registered Trade Mark of Meshtec International Co., Ltd. ('MTC') in the United States and other various worldwide jurisdictions (including registrations pending) and may not be used without the prior written consent of MTC.

Extend Your Warranty!

When you register on-line at uniquehd.com/registration