



HUSKY®

The Toughest Name In Tools® Operation & Parts Manual

High Speed Sander

Model No. HSTC4771 SKU No. 666610

Table of Contents

- Specifications
- General Safety Information
- Features & Operation
- Maintenance
- Parts List
- Warranty

Specifications

Free Speed	16,000 RPM
Maximum Capacity	5" Diameter
Weight	2.76 lbs.
Air Inlet	1/4"
Length	6.85
Average Air Consumption	6 CFM
Recommended Hose Size	3/8"
Recommended Operating Pressure	90 PSI

General Safety Information



Read Operating Instructions

Always become familiar with all the instructions and warnings before operating any pneumatic tool.



Always Wear Approved Eye Protection Impact resistant eye protection should meet or exceed the standards as set forth in the United States ANSI Z87.1, Occupational and Educational Eye and Face Protection. Look for the marking Z87.1 on your eye protection to insure that it is an approved style. For further information, ANSI Z87.1, Occupational and Educational Eye and Face Protection, is available from the American National Standards Institute, Inc., 11 West 42nd Street, New York, NY 10036.



Hearing Protection is Recommended

Hearing protection should be used when the noise level exposure equals or exceeds an 8 hour time-weighted average sound level of 85dBA. Process noise, reflective surfaces, other tools being operated nearby, all add to the noise level present in your work area. If you are unable to determine your noise level exposure, we recommend the use of hearing protection.

Description

The Husky model no. HSTC4771 High Speed Sander is excellent for use on any surface. This powerful sander has a fourblade motor designed for minimal vibration during touch-up, feather edging and production sanding.



Avoid Prolonged Exposure to Vibration

Pneumatic tools can vibrate during use. Prolonged exposure to vibration or very repetitive hand and arm movements, can cause injury. Stop using any tool if discomfort, tingling feeling or pain occurs. You should consult your physician before resuming use of the tool.



90 PSIG Maximum

Husky sanders are designed to operate at an air pressure of 90 pounds per square inch gauge pressure (90 PSIG) maximum, at the tool. Use of higher air pressure can, and may cause injury. Also use of higher air pressure places the internal components under loads and stresses they were not designed for, causing premature tool failure. The air supply should be clean and dry, preferably lubricated. For best results drain the moisture from your compressor daily.

Wear Respiratory Protection

It is advisable, when sanding for extended periods of time, to wear a protective mask. This will help prevent the inhalation of the fine dust produced while sanding. Prolonged breathing of dust particles may lead to future respiratory problems.

WARNING: SOME DUST CREATED BY POWER SANDING, SAWING, GRINDING, DRILLING, AND OTHER CONSTRUCTION ACTIVITIES CONTAINS CHEMICALS KNOWN TO CAUSE CANCER, BIRTH DEFECTS OR REPRODUCTIVE HARM. SOME EXAMPLES OF THESE CHEMICALS ARE:

- LEAD FROM LEAD-BASED PAINTS
- CRYSTALLINE SILICA FROM BRICKS, CEMENT AND OTHER MASONRY PRODUCTS
- ARSENIC AND CHROMIUM FROM CHEMICALLY TREATED LUMBER

YOUR RISK FROM THESE EXPOSURES VARIES, DEPENDING ON HOW OFTEN YOU DO THIS TYPE OF WORK. TO REDUCE YOUR EXPOSURE TO THESE CHEMICALS, WORK IN A WELL VENTILATED AREA AND WORK WITH APPROVED SAFETY EQUIPMENT SUCH AS THOSE DUST MASKS THAT ARE SPECIALLY DESIGNED TO FILTER OUT MICROSCOPIC PARTICLES.



Sold Exclusively at The Home Depot
2455 Paces Ferry Road, Atlanta, Georgia 30339

IMPORTANT SAFETY INSTRUCTIONS

INSTRUCTIONS PERTAINING TO A RISK OF FIRE, ELECTRIC SHOCK, OR INJURY TO PERSONS

WARNING- Some dust created by using power tools contains chemicals known to the State of California to cause cancer and birth defects or other reproductive harm

WARNING-When using the product, basic precautions should always be followed, including the following:

General: To reduce the risks of electric shock, fire, and injury to persons, read all the instructions before using the tool.

Work area

- 1. Keep the work area clean and well lighted.** Cluttered benches and dark areas increase the risks of electric shock, fire and injury to persons.
- 2. Do not operate the tool in explosive atmospheres, such as in the presence of flammable liquids, gases, or dust.** The tool is able to create sparks resulting in the ignition of the dust or fumes.
- 3. Keep bystanders, children, and visitors away while operating the product.** Distractions are able to result in the loss of control of the tool.

Personal safety

- 1. Stay alert. Watch what you are doing and use common sense when operating the product. Do not use the product while tired or under the influence of drugs, alcohol, or medication.** A moment of inattention while operating the tool increases the risk of injury to persons.
- 2. Dress properly. Do not wear loose clothing or jewelry. Contain long hair. Keep hair, clothing, and gloves away from moving parts.** Loose clothes, jewelry, or long hair increases the risk of injury to persons as a result of being caught in moving parts.
- 3. Remove adjusting keys and wrenches before turning the tool on.** A wrench or a key that is left attached to a rotating part of the tool increase the risk of personal injury.
- 4. Do not overreach. Keep proper footing and balance at all times.** Proper footing and balance enables better control of the tool in unexpected situations.
- 5. Use safety equipment.** A dust mask, non-skid safety shoes and a hard hat must be used for the applicable conditions.
- 6. Always wear eye protection.**
- 7. Always wear hearing protection when using the tool.** Prolonged exposure to high intensity noise is able to cause hearing loss.
- 8. Disconnect the product from the air source before making any adjustments.**
- 9. Avoid unintentional starting. Be sure the switch is off before connecting to the air supply.** Do not carry the tool with your finger on the switch or connect the tool to the air supply with the switch on.
- 10. Accessories must be rated for at least the speed of the tool marked on the tool label.** Wheels and other accessories running over the rated speed can fly apart and result in a risk of injury to persons.

▲ CAUTION

1. Inspect hose connection before each use;
2. Do not exceed 90psi when using pneumatic tools.
3. Do not kink, twist, knot or abrade hose.

Applicable Range:

Is applicable for pneumatic tools and accessories.

Specifications:

Air tools Maximum Working Pressure.....90psi.

Operation

Tool use and care

1. **Use clamps or another practical way to secure and support the workpiece to a stable platform.** Holding the work by hand or against the body is unstable and to lead to loss of control.
2. **Do not force the tool. Use the correct tool for the application.** The correct tool will do the job better and safer at the rate for which the tool is designed.
3. **Do not use the tool if the switch does not turn the tool on or off.** Any tool that cannot be controlled with the switch is dangerous and must be repaired.
4. **Disconnect the tool from the air source before making any adjustments, changing accessories, or storing the tool.** Such preventive safety measures reduce the risk of starting the tool unintentionally.
5. **Store the tool when it is idle out of children and other untrained persons.** A tool is dangerous in the hands of untrained users.
6. **Maintain the tool with care.** Keep a cutting tool sharp and clean. A property maintained too, with sharp cutting edges reduced the risk of binding and is easier to control.
7. **Check for misalignment or binding of moving parts, breakage of parts, and any other condition that affects the tool's operation.** If damaged, have the tool serviced before using. Many accidents are caused by poorly maintained tools. There is a risk of bursting if the tool is damaged.
8. **Use only accessories that are identified by the manufacturer for the specific tool model.** Use of an accessory not intended for use with the specific tool model, increases the risk of injury to persons.
9. **Accessories must be rated for at least the speed of the tool marked on the tool label.** Wheels and other accessories running over rated speed can fly apart and result in a of injury to persons.

Service

1. **Tool service must be performed only by qualified repair personnel.**
2. **When servicing a tool, use only identical replacement parts. Use only authorized parts.**
3. **Use only the lubricants supplied with the tool of specified by the manufacturer.**

Air source

1. **Never connect to an air source that is capable of exceeding 115psi.** Over pressurizing the tool is able to result in busting, abnormal operation, and breakage of the tool or serious injury to persons. Use only clean, dry, regulated compressed air at the rated pressure or within the rated pressure range as marked on the tool. Always verify prior to using the tool that the air source has been adjusted to the rated air pressure or within the rated air-pressure range.
2. Never use oxygen, carbon dioxide, combustible gases or any bottled gas as an air source for the tool. Such gases are capable of explosion and serious injury to persons.

USER-MAINTENANCE INSTRUCTIONS

SAVE THESE INSTRUCTIONS

Operation & Parts Manual

High Speed Sander

Model No. HSTC4771

Installation

Always use clean dry air. Excessive moisture and dirt will greatly reduce the life of any air motor. We recommend the installation of an in-line filter-regulator-lubricator as close to the tool as possible.

A 3/8" air hose is required up to a length of 8 ft. If more length is required a 1/2" air hose should be connected to the 3/8" hose to ensure the tool has the necessary air supply. Be sure all hoses and fittings are the correct size and tightly secured.

Pre-Operation

Before the tool is connected to the air supply, clear the air hose of accumulated dust and moisture. Before removing a tool for service or changing accessories, make sure the air line is shut-off and drained of air. This will prevent the tool from operating if the throttle is accidentally engaged.

Operation

WARNING: Disconnect tool from air supply before servicing or changing paper.

To Install Pad and Paper: THE RECOMMENDED PAPER IS ALUMINUM OXIDE, GRAIN COATED WITH PRESSURE SENSITIVE ADHESIVE.

1. Select correct sized pad and paper for application, (Sandpaper may be resin bonded or pressure sensitive adhesive - PSA).
2. Insert pad nut through bonded paper (if used) and backing disc.
3. Thread pad nut into hub.
4. Hold sanding hub and turn disc clockwise until pad nut and disc(s) are fully secured.
5. If using PSA paper, remove backing and press firmly to backing disc.

When applying sandpaper to discs, leave approximately 1/4" of paper overhanging to cover disc edges.

Apply sander to work surface slowly at first to "set" paper. Do not dig into work. Let the sander do the work. The normal weight of the tool is sufficient for sanding. Do not put additional pressure on the tool. This will only slow down the speed of the pad, reduce sanding efficiency and put an additional burden on the motor. Start the sander off the work surface, set it down on the work surface evenly and move it slowly back and forth in wide, overlapping areas. When finished sanding, lift it off the work surface before stopping motor.

To Disassemble:

1. Insert the holding rod into the hub and turn the pad counterclockwise until the sanding pad loosens.
2. Remove sanding paper from backing pad.

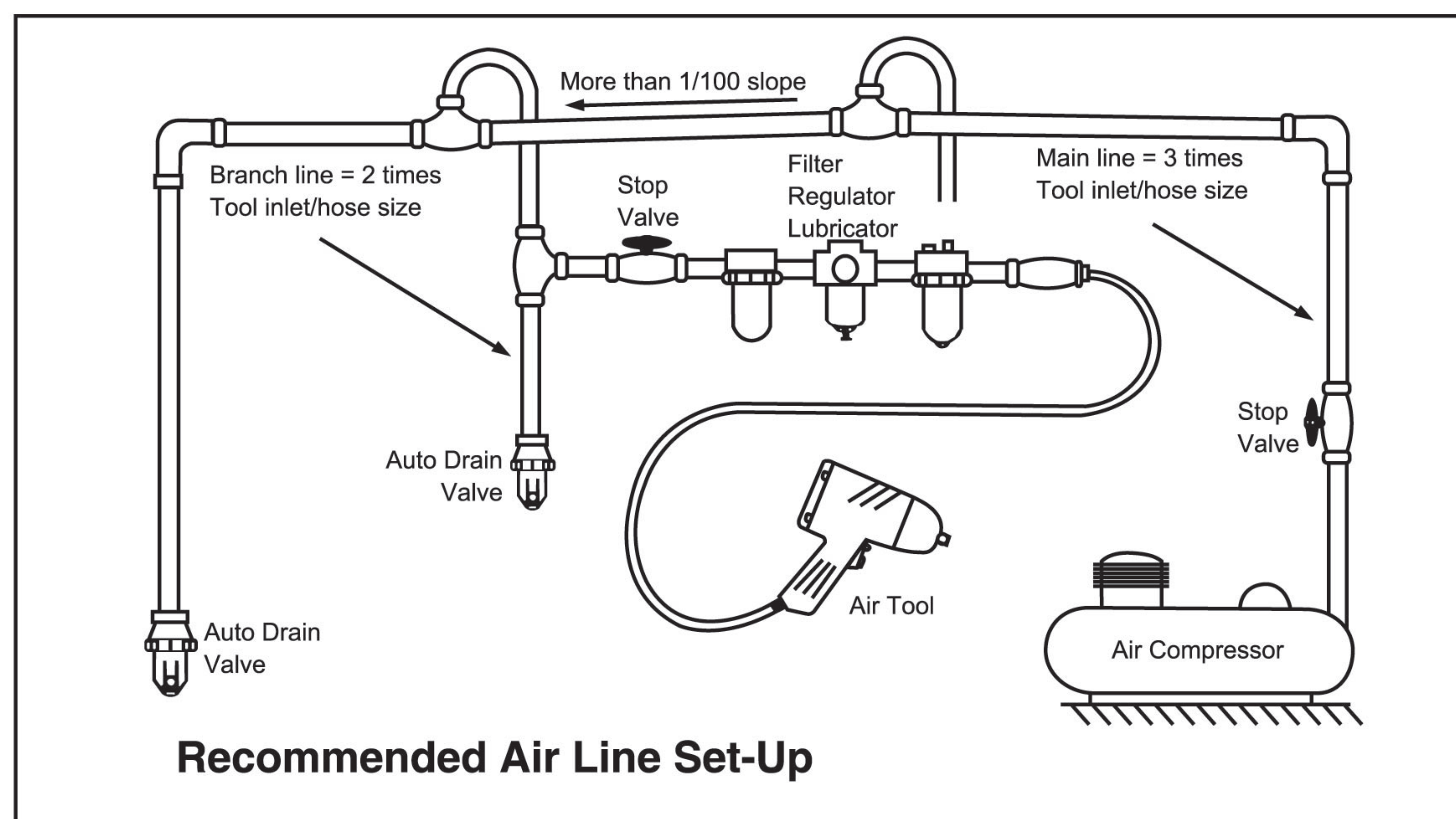
Maintenance

Lubrication

An automatic in-line filter-regulator-lubricator is recommended as it increases tool life and keeps the tool in sustained operation. The in-line lubricator should be regularly checked and filled with air tool oil. Proper adjustment of the in-line lubricator is performed by placing a sheet of paper next to the exhaust ports and holding the throttle open approximately 30 seconds. The lubricator is properly set when a light stain of oil collects on the paper. Excessive amounts of oil should be avoided.

In the event that it becomes necessary to store the tool for an extended period of time (overnight, weekend, etc.), it should receive a generous amount of lubrication at that time. The tool should be run for approximately 30 seconds to ensure oil has been evenly distributed throughout the tool. The tool should be stored in a clean and dry environment.

Recommended lubricants: Use Husky air tool oil or any other high grade turbine oil containing moisture absorbents, rust inhibitors, metal wetting agents and an EP (extreme pressure) additive.

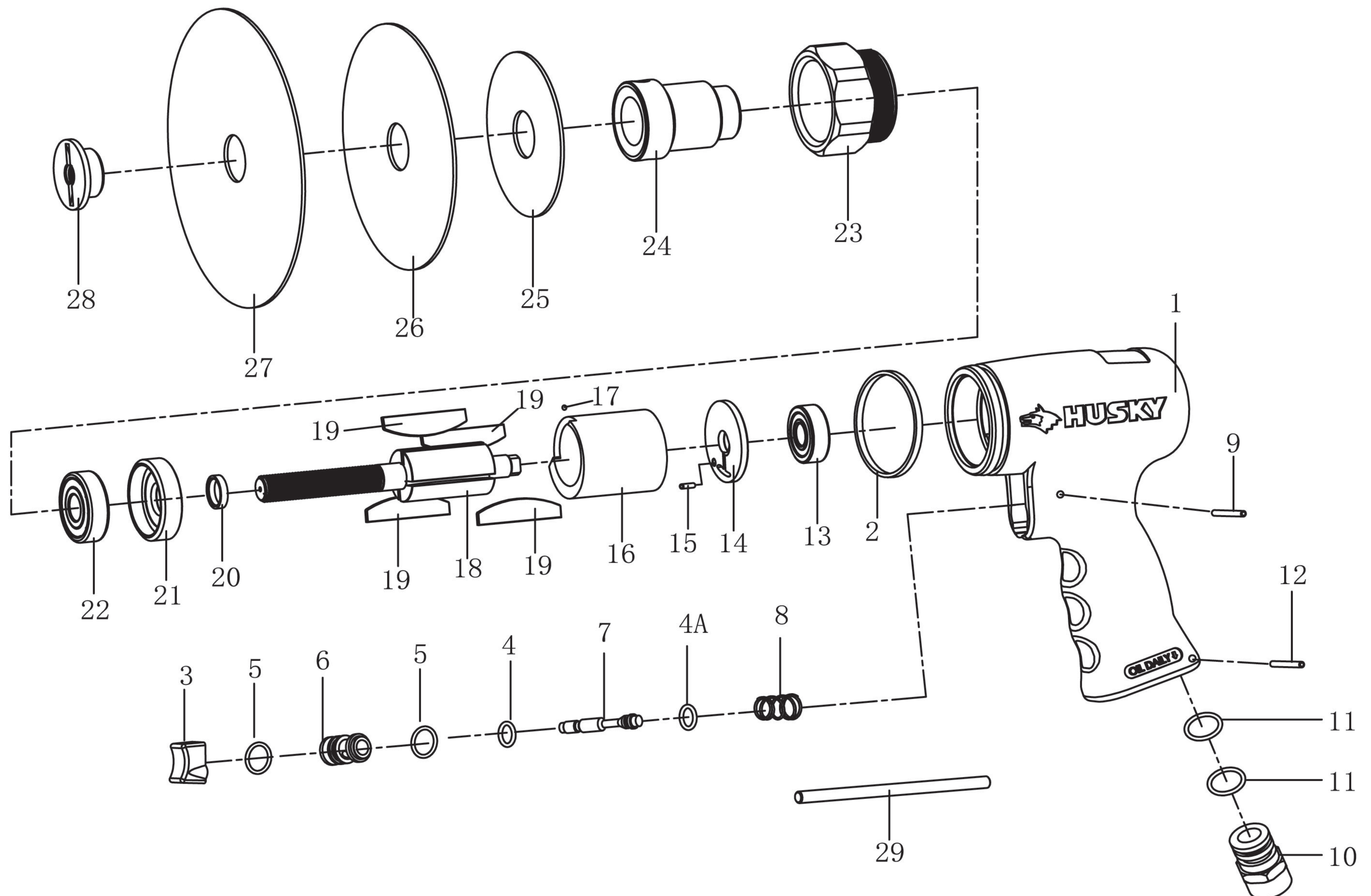


Exploded View and Parts List

High Speed Sander

Model No. HSTC4771

For replacement parts or the nearest service center, call toll free 1-877-782-8290



Réf. #	Part No.	Description	Qty	Réf. #	Part No.	Description	Qty
1	HSTC-HSS50HU-01	Housing	1	15	HSTC-SP-30060	Spring Pin	1
2	HSTC-AH190HU-02	O Washer	1	16	HSTC-S02HU-12	Cylinder	1
3	HSTC-AH150-03	Trigger	1	17	HSTC-SB-003	Steel Ball	1
4	HSTC-ORP-0035	O Ring(3.5x1.5)	1	18	HSTC-S02-10	Rotor	1
4A	HSTC-ORP-0036	O Ring(3.6x2.4)	1	19	HSTC-S02-11	Rotor Blade	4
5	HSTC-ORP-0100A	O Ring $\varnothing 9.8 \times \varnothing 2.4$	2	20	HSTC-S02-09	Spacer Front	1
6	HSTC-AH150-06	Valve Bushing	1	21	HSTC-S02HU-08	Front End Plate	1
7	HSTC-AH150-07A	Valve Stem	1	22	HSTC-BB-62015	Ball Bearing	1
8	HSTC-AH150-08	Spring	1	23	HSTC-S02-06	Housing Lock Nut	1
9	HSTC-SP-30230	Spring Pin 3x23	1	24	HSTC-S02-05	Sander Lock Nut	1
10	HSTC-AI-12-40	Air Inlet	1	25	HSTC-S02-04	Fiber Pad (3")	1
11	HSTC-ORP-0150A	O Ring $\varnothing 14 \times \varnothing 1.78$	2	26	HSTC-S02-03	Fiber Pad (4")	1
12	HSTC-SP-30180	Spring Pin 3x18	1	27	HSTC-S02-02	Fiber Pad (5")	1
13	HSTC-BB-60002	Ball Bearing	1	28	HSTC-S02-01	Pad Nut	1
14	HSTC-S02HU-15	Rear End Plate	1	29	HSTC-S02-34	Holding Rod	1

Operation & Parts Manual

High Speed Sander

Model No. HSTC4771

Troubleshooting Chart

Low Power	Erratic Action	Blows Air Won't Run	Tool Noisy	Causes and Solutions
*				Check air pressure.
*	*	*	*	Check for water in lines.
*	*	*	*	Oil tool with air tool oil.

2 Year Warranty

If within Two (2) years from date of purchase, this Husky product fails due to a defect in materials or workmanship, return the product to any The Home Depot retail store with a receipt indicating proof of purchase for replacement with an item of equal or greater value. This warranty excludes incidental/consequential damages and failures due to misuse, abuse or normal wear and tear.

This warranty gives you specific rights, and you may also have other rights, which vary, from state to state. Please see store or call 1-888-HD-HUSKY for details.



Sold Exclusively at The Home Depot
2455 Paces Ferry Road, Atlanta, Georgia 30339



HUSKY®

The Toughest Name In Tools®

Manual de Instrucciones de Operación y Lista de Partes

Lijadora de alta velocidad

Model No. HSTC4771 SKU No. 666610

Contenido

- Especificaciones
- Información de Seguridad General
- Características Y Funcionamiento
- Mantenimiento
- Lista de las Partes de Repuesto
- Garantía

Especificaciones

Velocidad libre.....	16,000 RPM
Tamaño de almohadilla	5" de diámetro
Peso.....	2.76 lbs.
Entrada de aire	1/4"
Longitud.....	6.85
Consumo de aire promedio...6 CFM (pies cúbicos por minuto)	
Tamaño recomendado de manguera.....	3/8"
Presión operativa recomendada	620 kPa

Información de Seguridad General



Lea las instrucciones de operación

Siempre familiarícese con todas las instrucciones y advertencias antes de operar cualquier herramienta neumática.



Siempre use protección para los ojos aprobada

La protección para los ojos, resistente al impacto, tiene que cumplir o exceder los estándares establecidos en ANSI Z87.1 de Estados Unidos sobre la Protección de los Ojos y de la Cara en el Trabajo y la Educación. Mire la sección Z87.1 sobre la protección para los ojos para asegurarse que está usando un estilo aprobado. Para más información la publicación de ANSI Z87.1 de Estados Unidos sobre la Protección de los Ojos y de la Cara en el Trabajo y la Educación, está disponible en el American National Standards Institute, Inc., 11 West 42nd Street, New York, NY 10036.



Se recomienda la protección de los oídos

La protección de los oídos se tiene que usar cuando la exposición al nivel del ruido es igual o excede un nivel de ruido promedio de 85 dBA con la importancia del factor de tiempo de 8 horas. El ruido del proceso, las superficies reflectoras, las demás herramientas que están operando cerca, aumentan el nivel del ruido en su área de trabajo. Si no puede determinar su nivel de exposición al ruido, le recomendamos que use protección para los oídos.

Descripción

La lijadora de alta velocidad Husky modelo no. HSTC4771 es excelente para utilizarse en cualquier superficie. Esta lijadora potente tiene un motor de cuatro aspas diseñado para producir mínima vibración durante retoques, biselados y lijados de producción.



Evite la exposición prolongada a la vibración

Las herramientas neumáticas pueden vibrar durante el uso. La exposición prolongada a la vibración o los movimientos de las manos o de los brazos muy repetidos pueden producir lesiones. Deje de usar cualquier herramienta si siente incomodidad, hormigueo o dolor. Debe consultar a su doctor antes de volver a usar la herramienta.



620 kPa presión atmosférica, máximo

Ha sido diseñada para operar a 620 kPa sobre la presión atmosférica, máximo, en la herramienta. Si se usa una mayor presión de aire puede y de hecho producirá lesiones. También la presión de aire mayor pone a los componentes internos bajo cargas y esfuerzos para los cuales no habían sido diseñados produciendo fallas prematuras en la herramienta. El abastecimiento de aire debe ser limpio y seco, preferiblemente lubricado. Para lograr los mejores resultados drene la humedad de su compresor diariamente.

No se debe usar como esmeril

Esta herramienta sirve para lijar. Nunca debe usarse como esmeril. El uso de esta herramienta con una rueda esmeriladora puede causar lesiones. Use los accesorios clasificados para las RPM de la herramienta o más. Debe usarse una mascarilla contra el polvo al utilizar lijadoras automáticas.

Precaución: En algunos casos, el polvo ocasionado por lijado mecánico, aserrado, rectificación, perforación y otras actividades de construcción contiene químicos que se sabe son causantes de cáncer, defectos congénitos u otros daños en el sistema reproductivo. Algunos ejemplos de estos químicos son:

- Plomo en pinturas con base de plomo,
- Silice cristalina en ladrillos y cemento y otros productos de mampostería, y
- Arsénico y cromo en madera tratada con químicos.

El riesgo a que usted se expone debido a estos factores varía según la frecuencia con que usted desarrolle este tipo de trabajo. Para reducir su exposición a estos químicos: realice su trabajo en un área con buena ventilación y trabaje con equipo de seguridad aprobado, como las máscaras protectoras de polvo diseñadas especialmente para filtrar partículas microscópicas.



Sold Exclusively at The Home Depot

2455 Paces Ferry Road, Atlanta, Georgia 30339

INSTRUCCIONES IMPORTANTES DE SEGURIDAD

INSTRUCCIONES RESPECTO AL RIESGO DE INCENDIO, CHOQUE ELÉCTRICO, O LESIONES A LAS PERSONAS

ADVERTENCIA - Algunos polvos producidos al usar herramientas eléctricas contienen sustancias químicas que el Estado de California sabe que causan cáncer y defectos congénitos u otras lesiones reproductivas.

ADVERTENCIA - Al usar el producto, siempre deben seguirse precauciones básicas, incluyendo lo siguiente: General: Para reducir los riesgos de choque eléctrico, incendio y lesiones a las personas, lea todas las instrucciones antes de usar la herramienta.

General: para reducir los riesgos de choque eléctrico, incendio y lesiones a las personas, lea todas las instrucciones antes de usar la herramienta.

Área de trabajo

1. **Mantenga el área limpia y bien iluminada.** Los bancos en desorden y las áreas oscuras aumentan los riesgos de choque eléctrico, incendio y lesiones a las personas.
2. **No opere la herramienta en atmósferas explosivas, como en presencia de líquidos, gases o polvos inflamables.** La herramienta puede producir chispas que causarán que se incendie el polvo o los vapores.
3. **Mantenga alejados a los espectadores, los niños y los visitantes mientras opera el producto.** Las distracciones pueden resultar en la pérdida de control de la herramienta.

Seguridad personal

1. **Manténgase alerta. Observe lo que hace y use sentido común cuando opere el producto. No use el producto cuando esté cansado o bajo la influencia de drogas, alcohol o medicamentos.** Un momento de falta de atención mientras opera la herramienta aumenta el riesgo de lesiones a las personas.
2. **Vista ropa apropiada. No use ropa suelta ni joyas. Recójase el cabello largo. Mantenga el cabello, la ropa y los guantes lejos de las piezas en movimiento.** La ropa suelta, las joyas y el cabello largo aumentan el riesgo de lesiones a las personas si quedan atrapados en las piezas en movimiento.
3. **Quite las chavetas y llaves de ajuste antes de encender la herramienta.** Una chaveta o llave que se deje fijada a una parte giratoria de la herramienta puede aumentar el riesgo de lesiones personales.
4. **No alcance demasiado lejos. Mantenga el apoyo y el equilibrio adecuados en todo momento,** ya que esto le permitirá tener mejor control de la herramienta en situaciones inesperadas.
5. **Use equipo de seguridad.** Una máscara contra polvo, zapatos de seguridad antideslizantes y un casco deben usarse para las condiciones apropiadas.
6. **Siempre use protección para los ojos.**
7. **Siempre use protección para los oídos cuando use la herramienta.** La exposición prolongada al ruido de alta intensidad puede causar pérdida de la audición.
8. **Desconecte el producto del suministro de aire antes de hacer ajustes.**
9. **Evite que se encienda involuntariamente. Asegúrese de que el interruptor esté en posición de apagado antes de conectar al suministro de aire.** No lleve la herramienta de un lado a otro con el dedo en el interruptor ni conecte la herramienta al suministro de aire con el interruptor en posición de encendido.
10. **Los accesorios deben tener la capacidad de por lo menos la velocidad de la herramienta que está marcada en la etiqueta de la herramienta.** Las ruedas y otros accesorios que funcionan por encima de la velocidad nominal pueden separarse y salir volando y representar un riesgo de lesiones a las personas.

PRECAUCIÓN

1. Inspeccione la conexión de la manguera antes de cada uso.
2. No exceda 90 psi al usar herramientas neumáticas.
3. No doble, tuerza, anude ni desgaste la manguera.

Margen aplicable:

Es aplicable para herramientas y accesorios neumáticos.

Especificaciones:

Presión de trabajo máxima de herramientas de aire.....90 psi.

Operación

Uso y cuidado de la herramienta

1. **Use abrazaderas u otra manera práctica de asegurar y apoyar la pieza de trabajo en una plataforma estable.** Sostener el trabajo con la mano o contra el cuerpo es inestable y puede conducir a pérdida de control.
2. **No fuerce la herramienta. Use la herramienta correcta para la aplicación.** La herramienta correcta hará un trabajo mejor y más seguro al régimen para el cual se diseñó.
3. **No use la herramienta si el interruptor no enciende o no apaga la herramienta.** Cualquier herramienta que no pueda controlarse con el interruptor es peligrosa y debe repararse.
4. **Desconecte la herramienta del suministro de aire antes de hacer ajustes, cambiar accesorios o guardar la herramienta.** Esas medidas de seguridad preventivas reducen el riesgo de encender la herramienta involuntariamente.
5. **Cuando no la esté usando, guarde la herramienta fuera del alcance de los niños y de otras personas no capacitadas.** Una herramienta es peligrosa en manos de usuarios no capacitados.
6. **Mantenga la herramienta con cuidado.** Mantenga una herramienta de cortar afilada y limpia. Una herramienta debidamente mantenida y con bordes de cortar afilados reduce el riesgo de que se trabe y es más fácil de controlar.
7. **Verifique que no esté mal alineada, que las piezas en movimiento no estén trabadas, que no tenga piezas rotas y cualquier otra condición que afecte el funcionamiento de la herramienta.** Si la herramienta está dañada, haga que se le dé servicio antes de usarla. Muchos accidentes son causados por herramientas mal mantenidas. Si la herramienta está dañada, hay riesgo de que estalle.
8. **Sólo use los accesorios que el fabricante ha identificado para el modelo de herramienta específico.** El uso de un accesorio que no ha sido diseñado para usarse con el modelo de herramienta específico aumenta el riesgo de lesiones a las personas.
9. **Los accesorios deben tener capacidad por lo menos para la velocidad de la herramienta que está marcada en la etiqueta de la herramienta.** Las ruedas y otros accesorios que funcionan a una velocidad que sobrepasa la velocidad de régimen pueden separarse y salir volando y causar lesiones a las personas.

Servicio

1. **El servicio de la herramienta debe ser llevado a cabo por una person a calificada para repararla.**
2. **Al dar servicio a una herramienta, sólo use piezas de reemplazo idénticas. Sólo use piezas autorizadas.**
3. **Sólo use los lubricantes suministrados con la herramienta o especificados por el fabricante.**

Suministro de aire

1. Nunca conecte a un suministro de aire que sea capaz de exceder 115 psi. Presurizar excesivamente la herramienta puede causar un funcionamiento de estallado y anormal, que se rompa la herramienta o lesiones graves a las personas. Sólo use aire comprimido limpio, seco y regulado a la presión nominal o dentro del margen de presión nominal que está marcado en la herramienta. Antes de usar la herramienta, siempre verifique que el suministro de aire se haya ajustado a la presión de aire nominal o dentro del margen de presión de aire nominal.
2. Nunca use oxígeno, dióxido de carbono, gases combustibles ni ningún gas embotellado como un suministro de aire para la herramienta. Dichos gases pueden causar una explosión y lesiones graves a las personas.

INSTRUCCIONES DE MANTENIMIENTO DEL USUARIO
GUARDE ESTAS INSTRUCCIONES

Manual de Instrucciones de Operación y Lista de Partes

Lijadora de alta velocidad

Model No. HSTC4771

Instalación

Siempre use aire limpio y seco. La humedad excesiva y la mugre reducen considerablemente la duración de cualquier motor de aire. Recomendamos la instalación en línea de un filtro-regulador-lubricador, tan cerca de la herramienta como sea posible.

Es necesario usar una manguera de 3/8" de hasta 2,44 m de largo. Si se necesita una mayor longitud, se debe conectar una manguera de aire de 1/2" a la de 3/8", para asegurarse que la herramienta cuente con el abastecimiento de aire necesario. Asegúrese que todas las mangueras y los accesorios sean del tamaño correcto y que queden firmemente asegurados.

Pre-operación

Antes de que la herramienta se conecte al suministro de aire, despeje la punta del aire para eliminar polvo y humedad. Antes de poner una herramienta fuera de servicio o cambiar accesorios, asegúrese de que la línea de aire esté cortada y sin aire. Esto impedirá que la herramienta funcione si se activa por casualidad el acelerador.

Operación

ADCERTENCIA: Desconecte la herramienta del suministro de aire antes de dar servicio o cambiar papel.

Para instalar la almohadilla y el papel: EL PAPEL RECOMENDADO ES ÓXIDO DE ALUMINIO, GRANO REVISTIDO CON ADHESIVO SENSIBLE A LA PRESIÓN.

1. Seleccione la almohadilla y el papel del tamaño correcto para la aplicación. (El papel de lija puede estar unido con resina o adhesivo sensible a la presión [PSA]).
2. Inserte la tuerca de la almohadilla a través del papel unido (si se usa) y el disco de respaldo.
3. Ponga la tuerca de la almohadilla en el centro.
4. Sostenga el centro de lijado y gire el disco hacia la derecha hasta que queden firmes la tuerca de la herramienta y los discos.
5. Si usa papel sensible a la presión, retire el respaldo y presione firmemente al disco de respaldo.

Cuando aplique papel de lija a los discos, deje aproximadamente 1/4" de papel sobresaliendo para cubrir los bordes de los discos.

Aplique la lijadora a la superficie de trabajo lentamente primero para "lijar" el papel. No la "hunda" en el trabajo. Deje que la lijadora haga el trabajo. El peso normal de la herramienta es suficiente para lijar. No ejerza presión adicional sobre la herramienta. Esto sólo hará más lenta la velocidad de la almohadilla, reduciendo la eficiencia del lijado, haciendo sin contacto con la superficie de trabajo, póngala sobre la superficie de trabajo en forma pareja y muévala lentamente hacia adelante y atrás con movimientos amplios y superpuestos. Cuando termine de lijar, levante la unidad de la superficie de trabajo antes de para el motor.

Para desarmar:

1. Inserte la vara de sujeción en el centro y gire la almohadilla hacia la izquierda hasta que se suelte la almohadilla para lijar.
2. Retire el papel de lija de la almohadilla de respaldo.

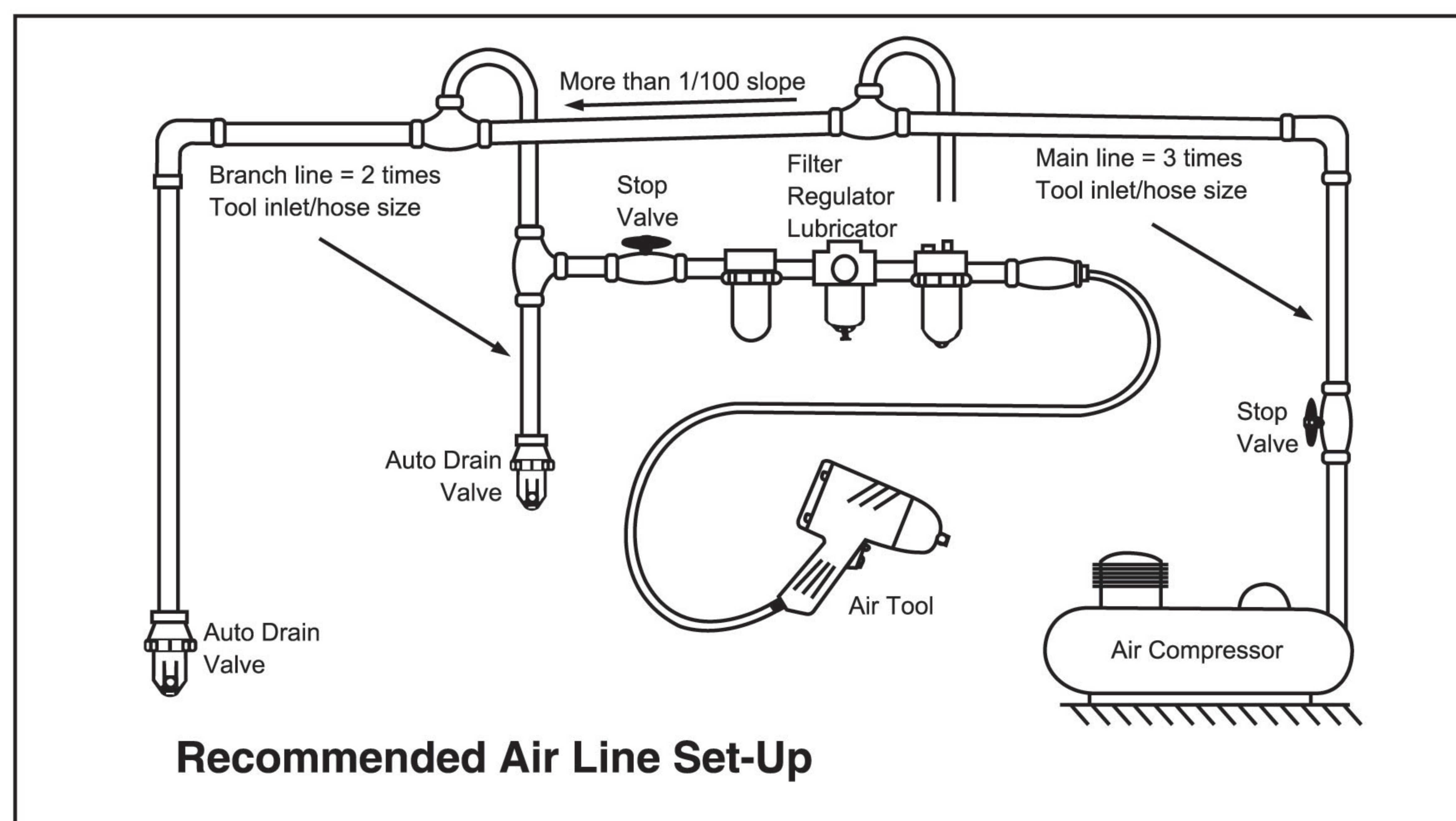
Mantenimiento

Lubricación

Le recomendamos usar un filtro-regulador-lubricador automático en línea debido a que aumenta la vida útil de la herramienta y la mantendrá funcionando continuamente. El lubricador en línea debe ser inspeccionado regularmente y llenarse con un aceite para herramientas neumáticas. Para ajustar correctamente el lubricador en línea, coloque una hoja de papel al lado de los orificios de ventilación mientras se mantiene abierto el acelerador por 30 segundos aproximadamente. El lubricador estará debidamente distribuido cuando se acumule una pequeña mancha de aceite en el papel. Debe evitarse una cantidad excesiva de aceite.

En caso que sea necesario guardar la herramienta por un período prolongado (de un día al otro, durante el fin de semana, etc.) en ese momento debe dársele una buena lubricación a la herramienta. La herramienta deberá ser utilizada por un período de 30 segundos para asegurarse que el aceite esté distribuido a través de toda la herramienta. Esta herramienta debe guardarse en un lugar limpio y seco.

Lubricantes recomendados: Use Husky aceite para herramientas neumáticas u otro tipo de aceite de alto grado para turbina, que contenga absorbentes de humedad, inhibidores de óxido, agentes lubricantes de metal y un aditivo para EP (presión extrema).

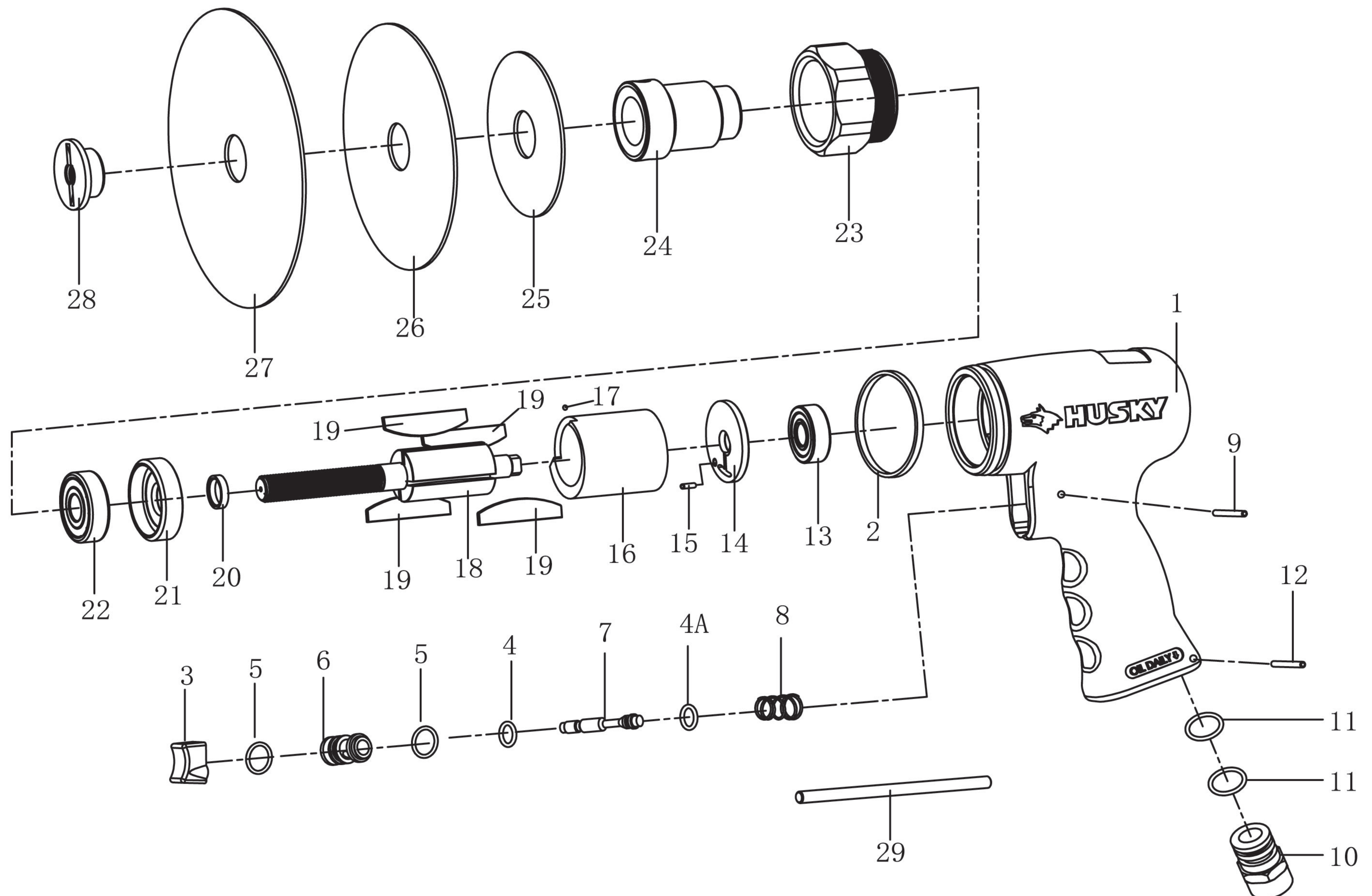


Manual de operación y componentes

Lijadora de alta velocidad

Model No. HSTC4771

Para obtener repuestos o conocer el centro de servicio más cercano, llame gratis al 1-877-782-8290



Ref. N.º	Pieza N.º	Descripción	Cant.	Ref. N.º	Pieza N.º	Descripción	Cant.
1	HSTC-HSS50HU-01	Envoltura	1	15	HSTC-SP-30060	Pasador del Resorte	1
2	HSTC-AH190HU-02	"O" Arandela	1	16	HSTC-S02HU-12	Pasador del Resorte (2.5x24)	1
3	HSTC-AH150-03	Gatillo	1	17	HSTC-SB-003	Bola de Acero	1
4	HSTC-ORP-0035	Anillo en "O" (3.5x1.5)	1	18	HSTC-S02-10	Rotor	1
4A	HSTC-ORP-0036	Anillo en "O" (3.6x2.4)	1	19	HSTC-S02-11	Hoja del Rotor	4
5	HSTC-ORP-0100A	Anillo en "O" $\varnothing 9.8 \times 2.4$	2	20	HSTC-S02-09	Separador Frontal	1
6	HSTC-AH150-06	Buje de la Válvula	1	21	HSTC-S02HU-08	Placa Frontal	1
7	HSTC-AH150-07A	Vástago de la Válvula	1	22	HSTC-BB-62015	Rodamiento a Bolas	1
8	HSTC-AH150-08	Resorte	1	23	HSTC-S02-06	Tuerca de Fijación	1
9	HSTC-SP-30230	Pasador del Resorte 3x23	1	24	HSTC-S02-05	Tuerca de Fijación	1
10	HSTC-AI-12-40	Admisión de Aire	1	25	HSTC-S02-04	Almohadilla de fibre de 3"	1
11	HSTC-ORP-0150A	Anillo en "O" $\varnothing 14 \times 1.78$	2	26	HSTC-S02-03	Almohadilla de fibre de 4"	1
12	HSTC-SP-30180	Pasador del Resorte 3x18	1	27	HSTC-S02-02	Almohadilla de fibre de 5"	1
13	HSTC-BB-60002	Rodamiento a Bolas	1	28	HSTC-S02-01	Tuerca de la Almohadilla	1
14	HSTC-S02HU-15	Placa Posterior	1	29	HSTC-S02-34	Vara de sujeción	1

Manuel de Instrucciones de Operación y Lista de Partes

Lijadora de alta velocidad

Model No. HSTC4771

DETECCIÓN Y SOLUCIÓN DE FALLAS

Baja Potencia	Acción errática	Sopla aire no funciona	Herramienta ruidosa	Causas y soluciones
*				Compruebe presión de aire
*	*	*	*	Vea si hay aire en las líneas
*	*	*	*	Lubrique con aceite para herramienta neumática

Garantía

Si dentro de un plazo de dos (2) años de la fecha de compra, este producto Husky falla debido a un defecto en los materiales o la mano de obra, devuelva el producto a cualquier tienda minorista The Home Depot, con un recibo que indique la prueba de compra, para el reemplazo con un artículo de igual o mayor valor. Esta garantía excluye los daños y las fallas incidentales y consecuentes debido a mal uso, abuso o desgaste normal.

Esta garantía le confiere derechos específicos y usted también podría tener otros derechos, los cuales varían de un estado a otro. Para los detalles, sírvase ir a la tienda o llamar al 1-888-HD-HUSKY.



Sold Exclusively at The Home Depot

2455 Paces Ferry Road, Atlanta, Georgia 30339