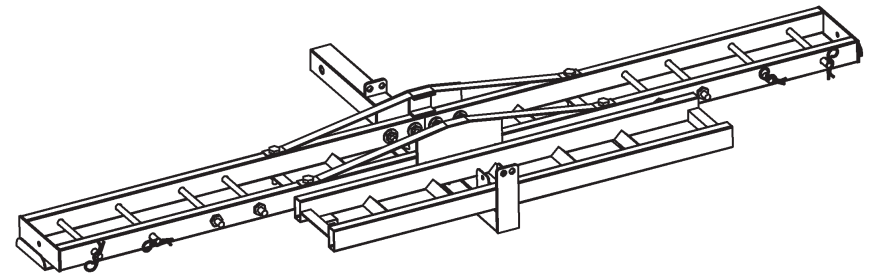




**HITCH- HAUL® MOTORCYCLE CARRIER**  
**ASSEMBLY, OPERATING & SAFETY INSTRUCTIONS**  
**MODELS: HMXCR, HMXCRA**

Manual Code 900000140 070816



**THIS PRODUCT IS FOR OUTDOOR USE ONLY**

**Designed for 2" Receivers and Hitch Accessories ONLY**  
**Tools needed for assembly: 2 Adjustable Wrenches**

**! WARNINGS !**

- **MASTERBUILT IS NOT RESPONSIBLE FOR DAMAGE DONE TO OR FROM MOTORCYCLE DUE TO MISUSE OF PRODUCT.**
- **THE HITCH-HAUL® MOTORCYCLE CARRIER IS INTENDED FOR OFF ROAD MOTORCYCLE USE ONLY.**
- **FAILURE TO FOLLOW THESE INSTRUCTIONS PROPERLY COULD RESULT IN INJURY.**
- **KEEP THIS MANUAL FOR FUTURE REFERENCE.**

## ⚠ WARNINGS ⚠

- Never exceed 500lb capacity or the receiver hitch manufacturer's tongue weight rating.
- Motorcycle carrier is intended for one motorcycle only.
- Do not attempt to drive motorcycle onto carrier platform.
- Always use the ramp to load and unload motorcycle.
- Always secure loading ramp while vehicle is in motion.
- Do not attempt to load motorcycle onto carrier if you have back, joint, leg or other health problems.
- Do not sit on motorcycle while on carrier.
- Do not start motorcycle engine while on carrier.
- Do not carry flammable items on carrier.
- Motorcycle must be in gear while on carrier.
- Motorcycle carrier is not intended for transporting humans.
- Motorcycle **MUST** be secured with ratchet style straps while being transported (straps not included).
- Safety bolts and clevis pins must be secured through tire before transporting motorcycle.
- Check all hardware connections (nuts & bolts) before each use.
- For added theft security, secure motorcycle with a lock and chain. (Not included)

## MASTERBUILT MFG. Inc. PRODUCT WARRANTY

MASTERBUILT Mfg., Inc. warrants all parts of this HITCH-HAUL® Motorcycle Carrier product to be free from defects in material and workmanship within one year from the date of purchase. Within this period, MASTERBUILT Mfg., Inc. shall correct any defect by repairing or replacing defective parts of the equipment, or making available the parts thereof, FOB Columbus, GA.

MASTERBUILT Mfg., Inc. shall not be obligated to repair or replace equipment which has been repaired by others, abused, altered, or misused. We further state that we shall not be held liable for any loss due to neglectful use on the part of the operator. Upon the expiration of such warranty, all liability shall terminate. No other warranties are expressed or implied.

**NOTE:** Paint finish will scratch and chip under normal use, and therefore carries no warranty.

*To validate your warranty, please complete Warranty Information and return to Masterbuilt Mfg. Inc. within 30 days of the date of purchase.*

Visit Our Web Site [www.masterbuilt.com](http://www.masterbuilt.com)

### Warranty Information

Mail coupon or register online at [www.masterbuilt.com](http://www.masterbuilt.com)

Name \_\_\_\_\_  
Address \_\_\_\_\_  
City \_\_\_\_\_ State \_\_\_\_\_ Zip \_\_\_\_\_  
Dealer Name \_\_\_\_\_ Location \_\_\_\_\_  
Date of Purchase \_\_\_\_\_ Model # \_\_\_\_\_ Serial # \_\_\_\_\_

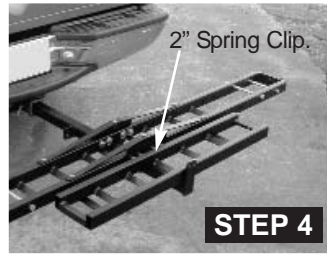
Cut out warranty information and return in an envelope to:

**MASTERBUILT Mfg., Inc.**  
**450 Brown Avenue,**  
**Columbus, GA 31906**  
**ATTN: Warranty Department**

# MOUNTING AND LOADING MOTORCYCLES

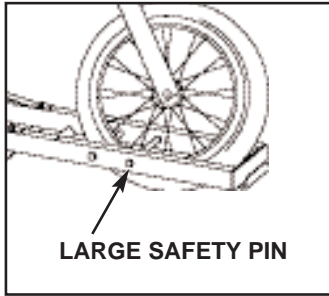


Secure motorcycle with 2 ratchet style straps (not included). Put one of the safety pins into upper hole passing through the spokes of the front wheel. Secure with a clevis pin. **See FIG 5**



Place the ramp onto the receiver tube as shown allowing the center support to slide into the bracket. Secure with 2" spring clip.

**FIG 5**

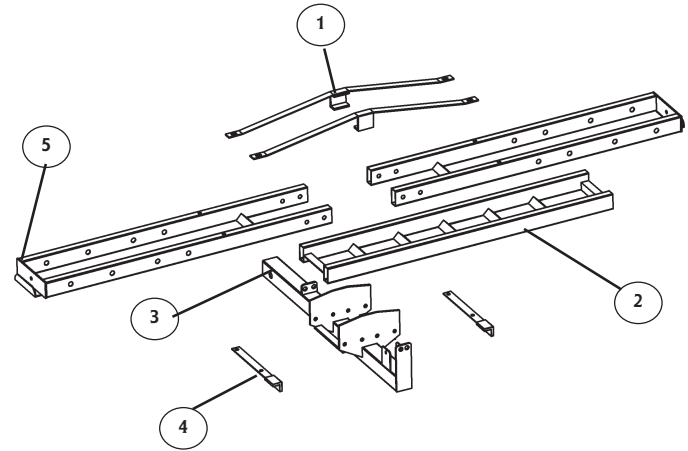


## REPLACEMENT PARTS

If you need help or if parts are missing do not return to dealer. Contact Masterbuilt at 1-800-489-1581

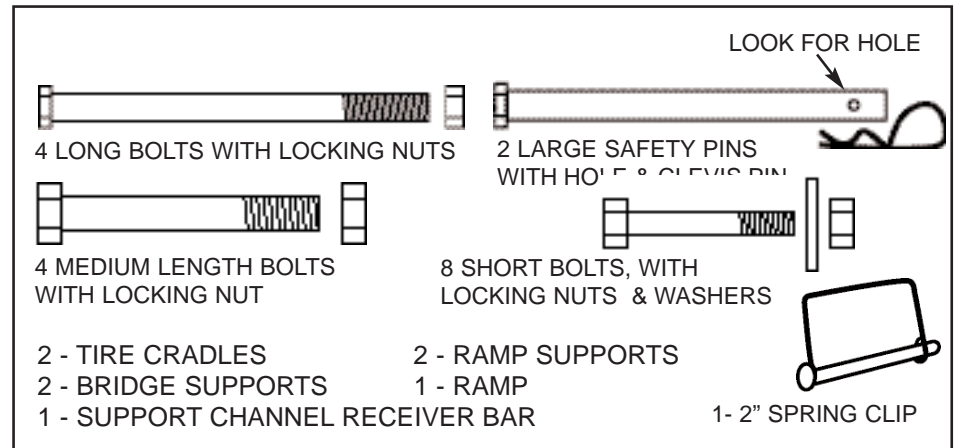
| Item No.  | Description        |
|-----------|--------------------|
| 990000043 | Receiver Bar Kit   |
| 990000044 | Carrier Half Kit   |
| 990000046 | Bridge Support Kit |
| 990000047 | Channel Brace Kit  |
| 900000137 | Ramp Kit           |
| 900000140 | Instruction Manual |
| 900000143 | Hardware Pack      |

## PARTS LIST



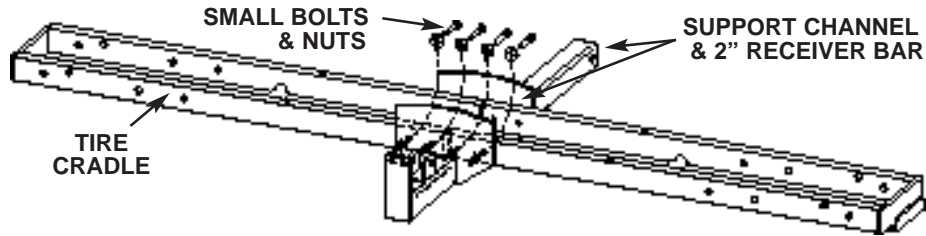
| Item No. | Description     | Qty. |
|----------|-----------------|------|
| 1        | Bridge Support  | 2    |
| 2        | Ramp            | 1    |
| 3        | 2" Receiver Bar | 1    |
| 4        | Ramp Support    | 2    |
| 5        | Carrier         | 2    |

## HARDWARE LIST

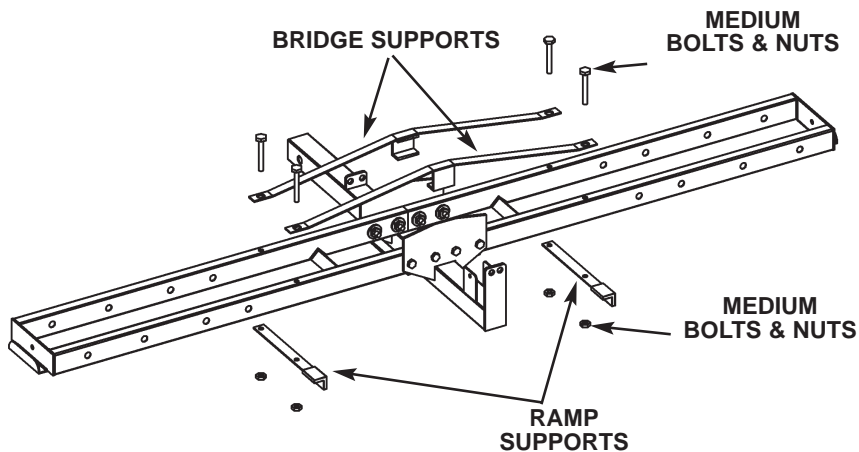


## ASSEMBLY INSTRUCTIONS

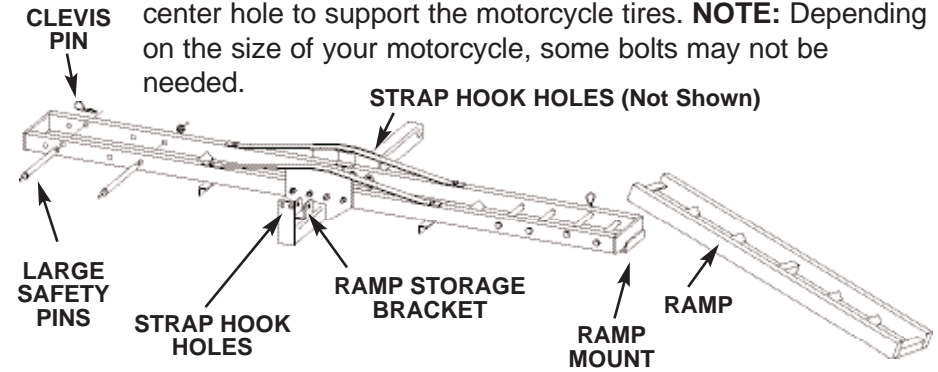
**STEP 1.** Place tire cradles inside support channel on receiver bar. Attach with 8 short bolts, washers and nuts. There are 4 nuts, bolts and washers per cradle. **Note:** The washer is placed onto the bolt first and then inserted from the inside out. The nut goes on the outside of the support channel.



**STEP 2.** Attach 2 bridge supports as shown and 2 ramp supports using 4 medium length bolts and nuts. **NOTE:** When mounting ramp supports, make sure flat surface is up and the extra 3 inches is on the outside to support the ramp while transporting.

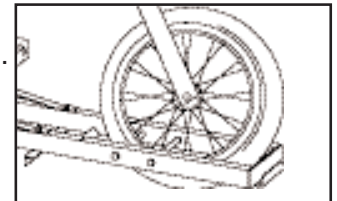


**STEP 3. PLACING THE LONG BOLTS.** The carrier is designed to load the motorcycle from the left or right side using the ramp. There are 3 sets of center holes and 1 set of upper holes on each cradle. The large safety pins and clevis pins are used in the upper holes. See FIG 5. The 4 long bolts are used in the center hole to support the motorcycle tires. **NOTE:** Depending on the size of your motorcycle, some bolts may not be needed.



## MOUNTING AND LOADING MOTORCYCLES

**IMPORTANT STEP:** The front tire of the motorcycle must rest down into the cradle and be secured with a large safety pin and clevis pin. This step is needed in case a strap is broken or comes loose during transport. A second safety pin is supplied. Depending on the size of your motorcycle, this pin may not be needed. If this pin is not used, secure the motorcycle tire with a strap. (not included)



Insert 2" receiver bar tube into the 2" receiver hitch and secure with a clevis pin. (Clevis Pin not included) This carrier will only mount into a 2" receiver only.



**STEP 1**

The loading ramp can be used on either side of carrier. Make sure lip of ramp is securely hooked into ramp mount.



**STEP 2**

With feet firmly planted and motorcycle in neutral, slowly guide motorcycle up loading ramp onto carrier. Use two people if necessary.