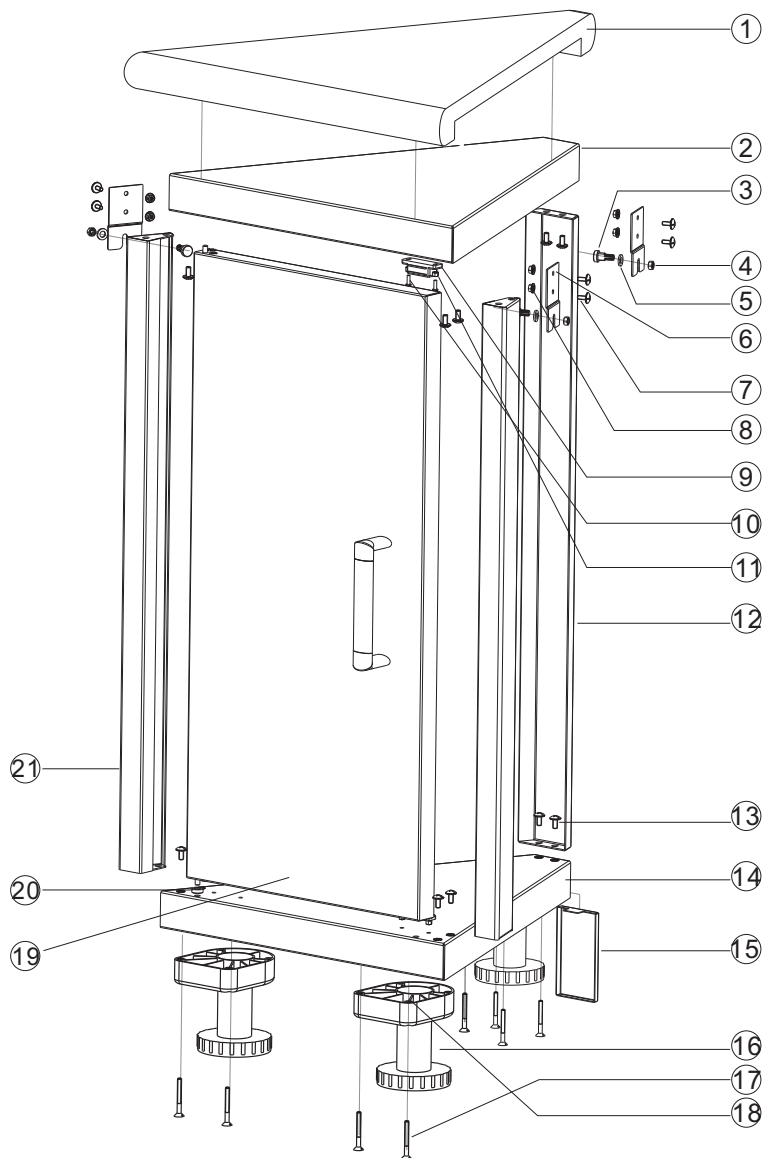


Outdoor Modular Series

45 degree corner module

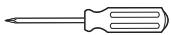


PART LIST

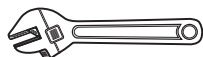
1. Marble stone top	1pc
2. Decorative top panel	1pc
3. M6 screw	4pcs
4. M6 flange nut	4pcs
5. M6 flat washer	4pcs
6. Connection Fixing plate	4pcs
7. M4 x 10 round cross-head screw	8pcs
8. M4 flange nut	8pcs
9. Door magnet	2pcs
10. M3 x 10 round cross-head screws	4pcs
11. M3 hexagon nut	4pcs
12. Front support plate	1pc
13. M5 x 12 round cross-head screw	12pcs
14. Base panel assembly	1pc
15. Skirt panel	1pc
16. Adjustable foot	3pcs
17. M4 x 35 sink-flat cross-head screws	8pcs
18. M4 flange nut	8pcs
19. Front door Assembly	1pc
20. Front door space washer	1pc
21. Back support plate	2pcs

Tools Required

Phillips head screwdriver



Adjustable spanner



Preparation

■ Remove all parts from packaging & check to make sure you have all parts described in the "part list".

■ Spread out parts on a soft, level surface to avoid scratching parts.

DO NOT return to retailer if merchandise is broken or parts are missing.

Pls call our Customer Service at 1-866-814-0585 for replacement or any additional accessories request or email to:

Customerservice@shinerichgroup.com

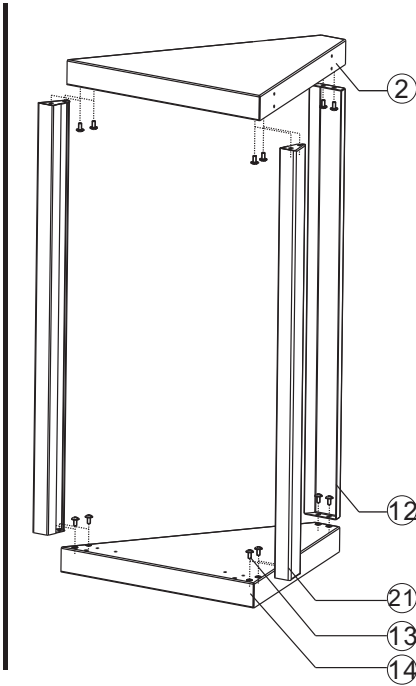
Outdoor Modular Series

45 degree corner module

Assembly Instructions

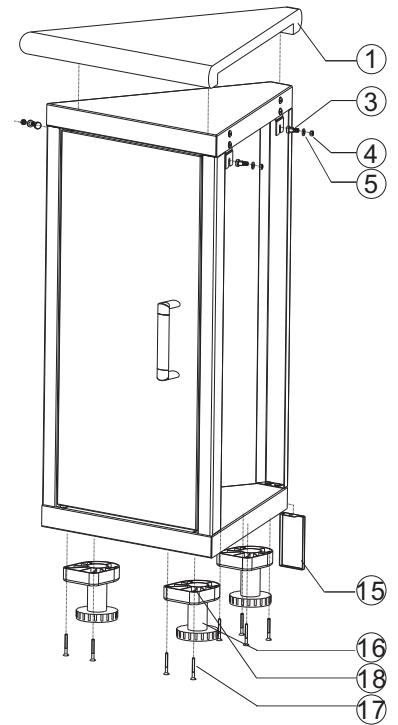
step 1

Fix 2 pcs of back support plate and 1 pc of front support plate to the base assembly and top panel assembly respectively by using M5 x 12 round cross-head screws (12 pcs).



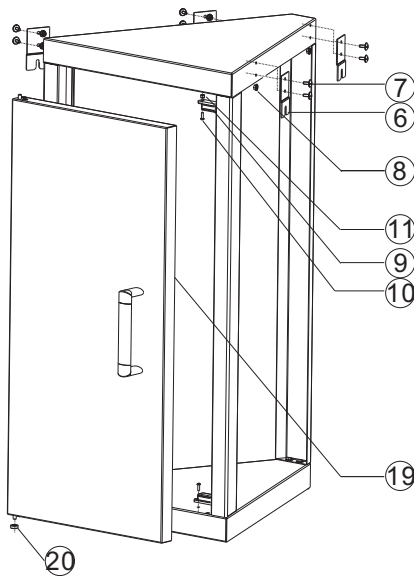
step 3

a). Place the M6 connection screws (4 pcs), M6 flange nuts (4 pcs) and M6 flat washers (4 pcs) through the connection holes on the connection fixing plates, then connect the module to other modules.
 b). Fix 3 pcs of adjustable feet to the bottom panel assembly by using M4 x 35 sink-flat cross-head screws (8 pcs) and M4 flange nuts (8 pcs).
 c). Install 1 pc marble stone top. Line up straight on both sides.
 d). Install 1 pc of skirt panel at the bottom. Line up straight on both sides.



step 2

a). Fix 4 pcs of connection fixing plates to the top panel assembly by using M4 x 10 round cross-head screws (8 pcs) and M4 flange nuts (8 pcs).
 b). Fix 2 pcs of door magnets to the top panel and base panel assembly respectively by using M3 x 10 round cross-head screws (4 pcs) and M3 hexagon nuts (4 pcs).
 c). Line up the top & bottom pivots of the front door assembly with the holes on the front horizontal support plate & base assembly, and install respectively. Apply 1 pc of front door space washer at the bottom before installing.



step 4

Completed assembly

