

Instruction Manual

For Model A44C98
LP Gas Fire Place



FOR YOUR SAFETY:

1. Read this Instruction Manual before attempting to assemble or operate your fire place.
2. Follow all safety instructions.
3. Check for leaks according to directions in this Instruction Manual before operating your fire place, even if purchasing an assembled fire place.
4. Keep this Instruction Manual for future reference.
5. Contact 1-800-211-8881 should you need assembly assistance or have any questions.

TO THE INSTALLER OR PERSON ASSEMBLYING THIS FIRE PLACE:

Leave this Instruction Manual with the consumer.

TO THE CONSUMER:

Retain this Instruction Manual for future reference.

Safety Precautions

Always read and follow all **DANGER, WARNING, AND FOR YOUR SAFETY** notices in this Instruction Manual. Failure to do may result in serious bodily injury or death, or in a fire or an explosion causing damage to property.

1. Fire Place installation must conform with local codes, or in their absence, with either the National Fuel Gas Code, ANSI Z223.1/NFPA 54, Natural Gas and Propane Installation Code, CSA B149.1, or Propane Storage and Handling Code, B149.2.
2. This fire place, when installed, must be electrically grounded in accordance with local codes, or, in the absence of local codes, with the National Electrical Code, ANSI/NFPA 70.
3. This fire place shall be used outdoors only, and shall not be used in a building, garage, or any other enclosed area.
4. This gas fire place is not intended to be installed in or on recreational vehicles and/or boats.
5. Never use any other type of solid fuel for this fire place other than LP gas.
6. Only use the pressure regulator with a type 1 connector that is supplied with this fire place.
7. Before each use, check the gas hose for excessive abrasion or wear, or cuts. Replace a hose assembly showing those signs with the hose assembly specified in the parts list before using the fire place.

⚠ WARNING: If the information in this manual is not followed exactly, a fire or explosion may result causing property damage, personal injury or loss of life.

- Do not store or use gasoline or other flammable vapors and liquids in the vicinity of this or any other fireplace.
- WHAT TO DO IF YOU SMELL GAS.
 - Do not try to light any fire place.
 - Do not touch any electrical switch; do not use any phone in your building.
 - Immediately call your gas supplier from a neighbor's phone. Follow the gas supplier's instructions.
 - If you cannot reach your gas supplier, call the fire department.
- Installation and service must be performed by a qualified installer, service agency or gas supplier.

⚠ WARNING: Improper installation adjustment, alteration, service or maintenance can cause injury or property damage. Read the installation, operating and maintenance instructions thoroughly before installing or servicing this equipment.

⚠ WARNING: For Outdoor Use Only.

Table of Contents

Safety Precautions.....	2
Table of Contents.....	3
Warranty.....	4
Customer Support Center.....	4
Assembly Instructions.....	5-11
General Information and Operation.....	12-19

Write down here and keep for future reference

Date of Purchase: _____

Serial Number: _____

The serial number may be found on the placard located on the back of the fire place

Limited Warranty

The manufacturer warrants to the **original consumer-purchaser** that this product shall be free from defects in workmanship and materials under normal and reasonable use when assembled and operated according to this Instruction Manual from date of purchase as follows:

All are one year

The manufacturer will, at its option, refinish or replace any product or part found to be defective during the limited warranty period. There may be a shipping charge. The manufacturer may require you to return the part(s) claimed to be defective for its inspection, freight or postage prepaid. Contact our Customer Support Center as shown below before returning any part(s).

The manufacturer will require reasonable proof of purchase. **We strongly recommend you keep your sales receipt** and register your fire place. You can attach your receipt to this manual.

This limited warranty does not cover the cost of any inconvenience or property damage due to failure of the product and does not cover damage due to misuse, abuse, alteration, improper or

failure to perform normal and routine maintenance, discoloration, scratches, rust, accident, damage arising out of transportation of the product, or normal wear and tear. This limited warranty will not apply to any fire place used for commercial use.

This limited warranty is the sole warranty given by the manufacturer and is in lieu of all other warranties; express or implied, including implied warranty of merchantability or fitness for a particular purpose. Neither manufacturer dealers nor the retail establishment selling this product have any authority to make any warranties or to promise remedies in addition to or inconsistent with those stated above.

This limited warranty applies only to products sold at retail, and is not transferable.

The manufacturer's maximum liability, in any event, shall not exceed the purchase price of the product paid by the original consumer-purchaser. Some states do not allow the exclusion or limitation of incidental or consequential damages. Therefore, the above limitations or exclusions may not apply to you. This warranty gives you specific legal rights and may also have other rights, which vary from state to state.

Customer Support Center

Thanks for purchasing our Fire Place. We're here to help you maximize your enjoyment and appreciation of your new fire place. Please don't hesitate to contact us should you have any questions regarding assembly, performance, warranty, or accessories. We have a full line of replacement parts available. Please have your model number ready before you contact us. We're here to serve You!

- If you need assistance or to order parts: **Call 1-800-211-8881**
- Business hours: **Monday through Friday; 8:30AM-5:00PM Central Time.**

Assembly Instructions

This page will give you an overview of information to assemble your fire place. The following pages will show in step-by-step detail how to do so. We offer the following suggestions to make your fire place assembly as easy as possible.

- 1.) Read through the entire Assembly Instructions before you begin.
- 2.) Choose an area large enough to comfortably lay out all the parts and hardware with enough room to easily maneuver.
- 3.) Have an area with a non-abrasive surface where you can lay parts without scratching them.
- 4.) Use caution, and enough people, to remove the Fire Place from the carton and steel pallet on the bottom.
- 5.) Lay all parts and hardware out and ensure you have everything listed on the Parts and Hardware page before you begin assembly. See the Customer Support Page for contact information should any parts be damaged or missing.
- 6.) A Phillips Head Screwdriver has been provided for assembly. You should not need any additional tools.
- 7.) Do not use a Power Screwdriver for assembly as you could strip the threads on the Nuts and Bolts.
- 8.) The propane tank for this fire place is sold separately. See the LP Gas and Cylinder Information later in this manual.

A44C98

▲ WARNING

Failure to follow all Danger, Warnings, and For Your Safety notices in this Instruction Manual may result in serious bodily injury or death, or in a fire or an explosion causing damage to property.

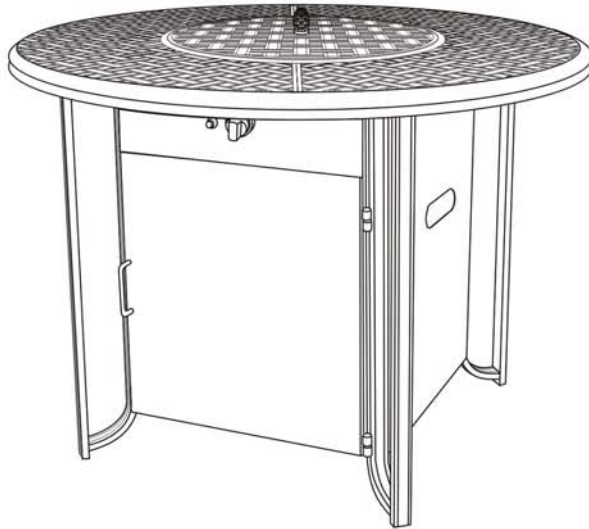
▲ CAUTION

Perform the Leak Test explained later in this Instruction Manual before operating your fire place.





















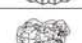
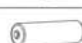
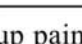
ASSEMBLY INSTRUCTIONS

For Aluminum KD Table Item No. A44C98

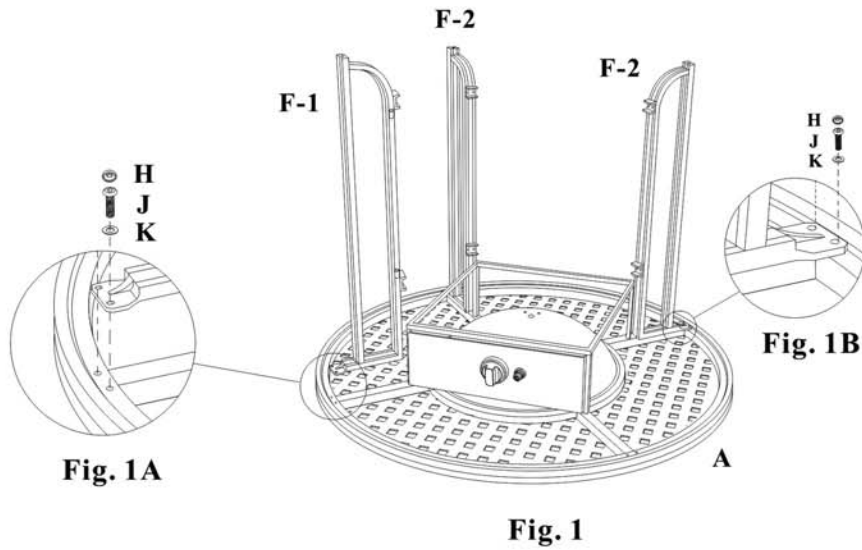


BE CAUTIOUS WHEN A POWER DRILL IS USED TO TIGHTEN SCREWS OVER TIGHTENING OF SCREWS MAY CAUSE DAMAGE BEFORE YOU START, CHECK PACKAGE CONTENTS. YOUR CARTON SHOULD CONTAIN ALL ITEMS SHOWN IN THE PART LIST:

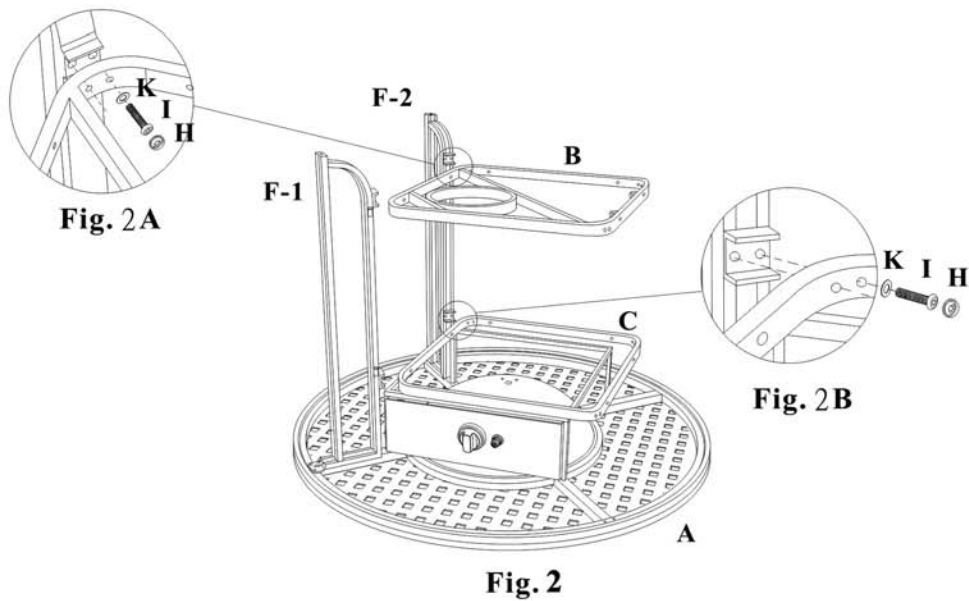
Item No.	Part List		QTY
	Description		
A		Top Assembly	1
B		Leg Support	1
C		Leg Support	1
D		Door	1
E		Side Panel	1
E-1		Side Panel	1
E-2		Side Panel	1

Item No.	Part List		QTY
	Description		
F		Leg	1
F-1		Leg	1
F-2		Leg	2
G		Cast Decoration	1
H		Bolt Cap	36
I		Long Bolt	28
J		Short Bolt	8
K		Washer	36
L		Adjustable Feet	4
M		Allen Driver	1
N		Mounting Strap	1
O		Grate	1
P		Lava Rocks	2
Q		Battery(Size AAA)	1

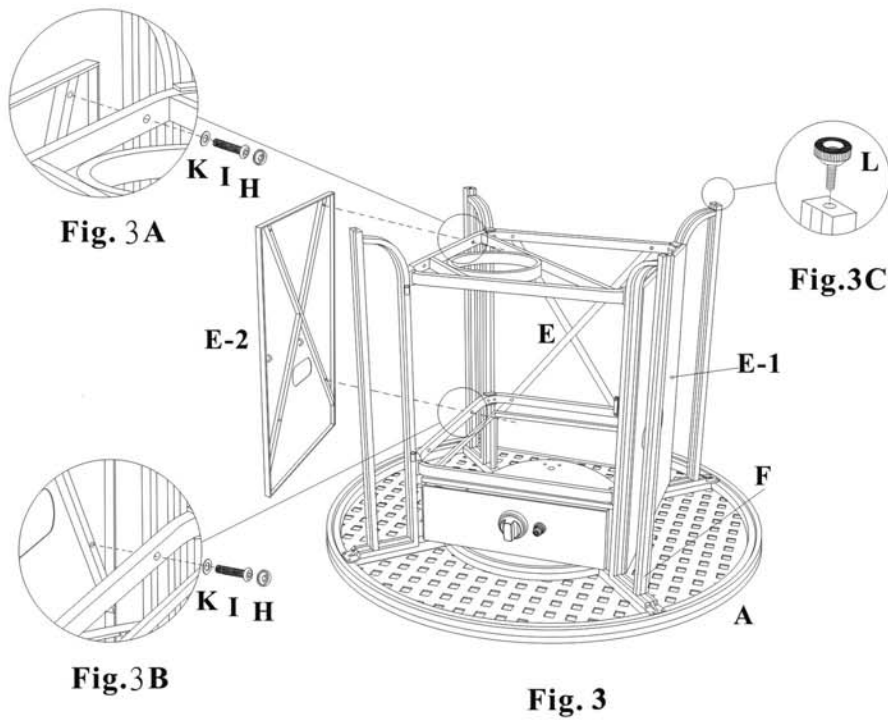
★ 1 touch-up paint container included.



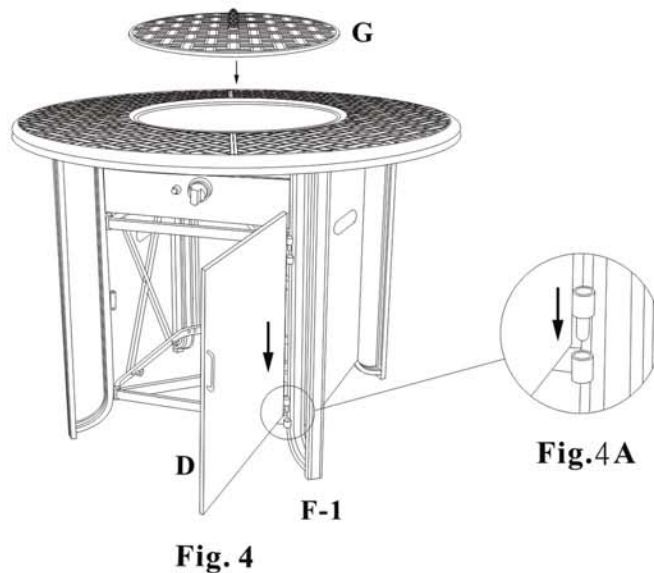
1. Lay top assembly (A) up side down on non-abrasive surface. Attach two legs (F-1 and F-2) to top assembly (A) using four short bolts (J) and four washers (K). (See Fig. 1A.)



2. Align the leg supports (C & B) to both legs and attach using eight long bolts (I) and eight washers (K). (See Fig.2A and 2B.) Make sure to place the ring of the leg support (B) toward the front leg (F-1, F-2) (see Fig.2) Repeat process step 1 and 2 for two other legs (F&F-2)



3. Attach side panels (E.E-1.and E-2) using 12 long bolts (I) and 12 washers (K) . (see Fig.3A and 3B) Tighten all bolts securely and attach bolt caps (H) Screw adjustable feet (L) into bottom of each leg. (See Fig.3C)



4. Turn table over upright position. Attach door (D) inserting door hinges to sleeves in F-1.(See Fig. 4A.)

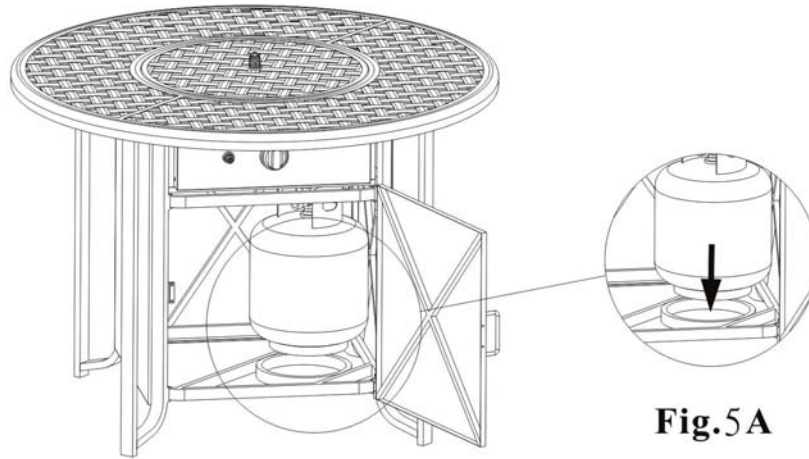


Fig.5

5. Place LP gas tank on the mounting ring of the leg support(B). Make sure tank valve is closed. (See Fig. 5A)

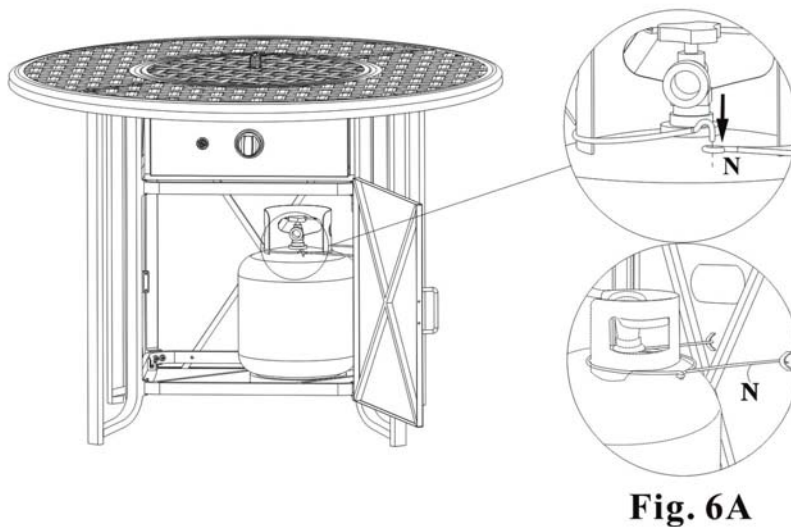


Fig. 6

6. Secure the position of gas tank using mounting strap (N) and two loops on inside of the side panel (E-2) (See Fig.6A).

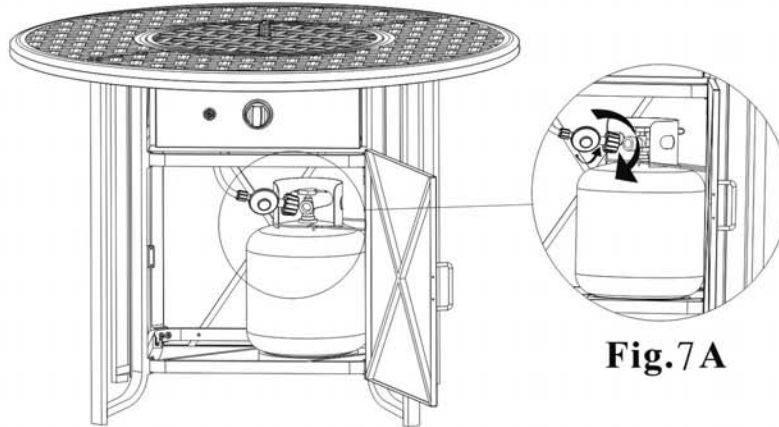


Fig.7

7. Before connecting gaslow regulator to the tank, make sure the gas supply hose is free of kinks or damages. Connect the gaslow regulator to the tank by inserting the regulator into the tank valve. Tighten the large plastic nut **clockwise** by hand.

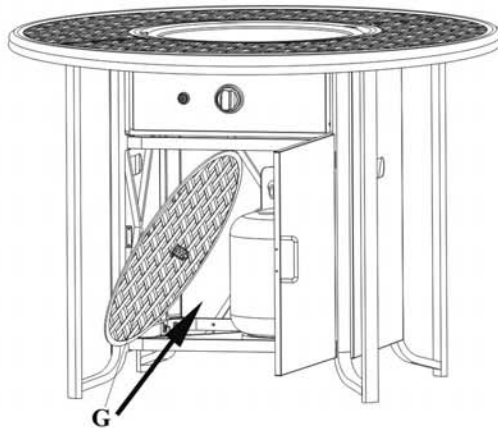
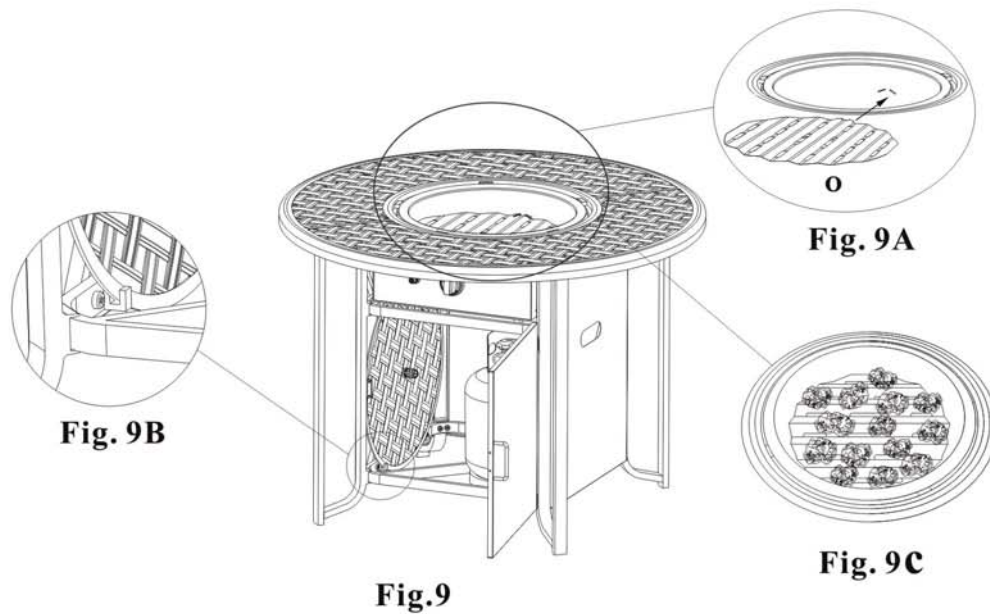
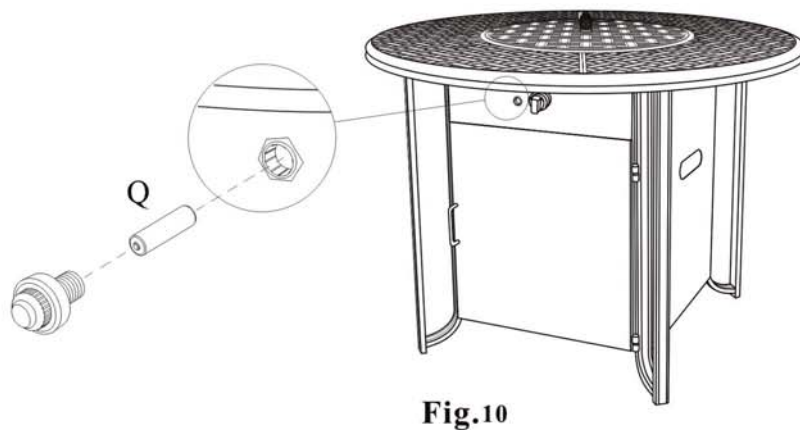


Fig.8

8. When table is used as fire pit , the cast decoration (G) must never be used and can be stored under the table. (See Fig.8)
Do not use this table for cooking or use lava rocks provided only.



9. Use the hooks on the leg support (B) for secure placement of cast decoration. (see Fig.9B) Place grate (O) when the table is used as fire pit. (See Fig.9A) Place lava rocks(P)on the grate(O).(See Fig.9C) Be cautious with hot metal surfaces. Always follow local safety rules and regulations



10. Unscrew the electronic igniter top. Place "A" battery into the electronic igniter with the Positive (+) end facing up. Screw the electronic igniter top back into place on the electronic igniter.

IMPORTANT! TO ENSURE PROPER GAS FLOW, BURNER CONTROL VALVES MUST BE "OFF" BEFORE OPENING GAS CYLINDER VALVE.

★ Questions regarding this product?
 Contact our customer service department. Monday-Friday 8:00am-5:00pm
 Pacific Standard Time
Toll Free:1-800-211-8881
 Manufactured by JRA Furniture Industries
 Made in China

General Information and Instructions

Your new Fire Place has been designed and manufactured to high quality standards. It will provide you with many years of enjoyment with a minimal amount of maintenance. Please keep in mind the following FOR YOUR SAFETY.

OPERATION

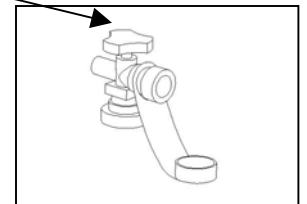
1. Your fire place requires reasonable care during operation. It will be hot during cooking and cleaning. You should never leave the fire place unattended or move the fire place when in use.
2. Children and adults should be alerted to the hazards of high surface temperatures and should stay away to avoid burns or clothing ignition.
3. Young children should be carefully supervised when they are in the area of the appliance.
4. Clothing or other flammable materials should not be hung from the appliance, or placed on or near the appliance.
5. Any guard or other protective device removed for servicing the appliance must be replaced prior to operating the appliance.
6. Installation and repair should be done by a qualified service person. The appliance should be inspected before use and at least annually by a qualified service person. More frequent cleaning may be required as necessary. It is imperative that control compartment, burners and circulating air passageways of the appliance be kept clean.
7. Only use your fire place outside in a well-ventilated area. Never use indoors in any building, garage, shed, or under any type of flammable canopy or overhang.
8. Ensure your fire place is on level ground.
9. Do not obstruct the flow of combustion and ventilation air to this fire place.
10. If the fire place is not in use, the gas must be turned off at the supply cylinder. Storage of a fire place indoors is permissible only if the cylinder is disconnected and removed from the fire place.

LP Gas and Cylinder Information

Your new gas fire place operates on LP (Liquid Petroleum) Gas. It is odorless, colorless, and non-toxic when produced. You can smell LP gas as it has been given an odor similar to rotten cabbage for your safety.

Your fire place uses the newest and safest LP Gas Cylinder.

Triangular Hand Wheel



1. A listed O.P.D. (Overfill Protection Device) must be used. This prevents accidental gas leaks caused by overfilling of the tank. Each tank contains a float that closes the input valve when the tank is 80% full. This allows room for the LP gas to expand in hot temperatures. A triangular hand wheel distinguishes this type of tank.
2. O.C.C.1 Type 1 Quick Connect Valve – provides fast tank hook-ups and requires only to be tightened by hand. Large external threads on the outlet part of the valve distinguish this.

In addition, the LP tank you use with your fire place must meet the following requirements

1. The maximum inlet gas supply pressure is 11 inches water column.
2. Required Measurements: 12-1/2" (317mm) in diameter and 18-1/2" (472mm) in height.
3. 20-pound (9.1kg) propane cylinder
4. Constructed and marked with U.S. Department of Transportation (D.O.T.) for the US A safety release valve.
5. A means for vapor withdrawal.
6. A collar to protect the tank valve.
7. A bottom ring for mounting.

⚠ Warning

1. Do not attempt to use a cylinder with any other type of connection device.
2. Do not attempt to use a cylinder with a larger capacity

LP CYLINDER FILLING AND EXCHANGE

Some areas only allow you to exchange your empty cylinder for a replacement that is already full. Other areas allow you to refill your cylinder. If you are in an area where you can refill your cylinder:

1. Use only a licensed dealer.
2. The dealer must first purge a new cylinder before filling.
3. Never fill a cylinder more than 80% full by weight. Volume will vary by temperature. An empty cylinder weighs approximately 18 pounds (8.2kgs).
4. Be sure the LP dealer checks the cylinder for leaks after filling.
5. Do not release LP gas into the atmosphere, as it can unexpectedly ignite when mixed with air.
6. Contact a LP dealer to remove LP gas from a cylinder.
7. Only exchange your cylinder for one with an O.P.D. feature as shown above.

⚠ WARNING

A frosty cylinder valve indicates possible gas overfill. Close the LP valve and call your dealer immediately.

WARNING

1. Never store any extra cylinders under **⚠** or near your fire place.
2. Never fill your cylinder over 80% full by weight. This may cause release of gas from the safety relief valve.
3. If the information in points 1 and 2 above is not followed exactly, a fire causing death or serious injury may occur.

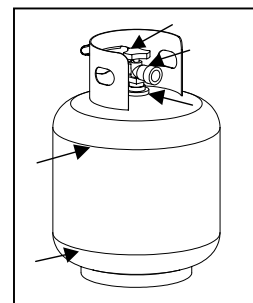
⚠ WARNING

- 1.) The gas supply must be turned off at the LP gas supply cylinder when this fire place is not in use.
- 2.) Storage of this gas fire place indoors is permissible only if the cylinder is disconnected and removed from the fire place.
- 3.) Cylinders must be stored outdoors out of reach of children and must not be stored in a building, garage, or any other enclosed area.

LP CYLINDER LEAK TEST

A leak test should be done each time a cylinder is refilled or exchanged. Do not smoke or use any type of flammable material in the area during this leak test. Do not use an open flame to check for leaks.

1. Test outside in a well ventilated area.
2. Use a paintbrush and a solution of 50% liquid soap and 50% water. Do not use cleaning agents and they can damage the fuel supply parts.
3. Brush liquid onto areas highlighted with arrows.
4. Bubbles indicate a leak.



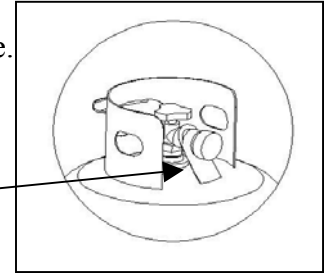
⚠ DANGER

Bubbles indicate a leak. In that case, call your LP dealer or fire department immediately.

TRANSPORTATION AND STORAGE

1. Place dust cap on cylinder valve outlet whenever the cylinder is not in use. Only install the type of dust cap on the cylinder valve outlet that is provided with the cylinder valve. Other types of caps or plugs may result in leakage.
2. Always transport in an upright position.
3. Do not smoke when transporting your cylinder.
4. Keep cylinders out of direct sunlight and away from sources of heat.

Dust Cap



Regulator and LP Cylinder Connections

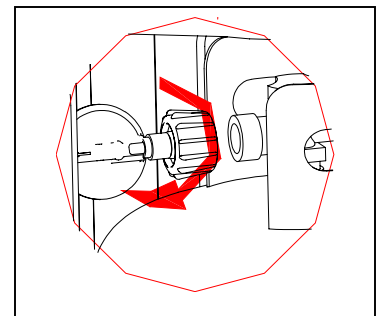
▲ CAUTION

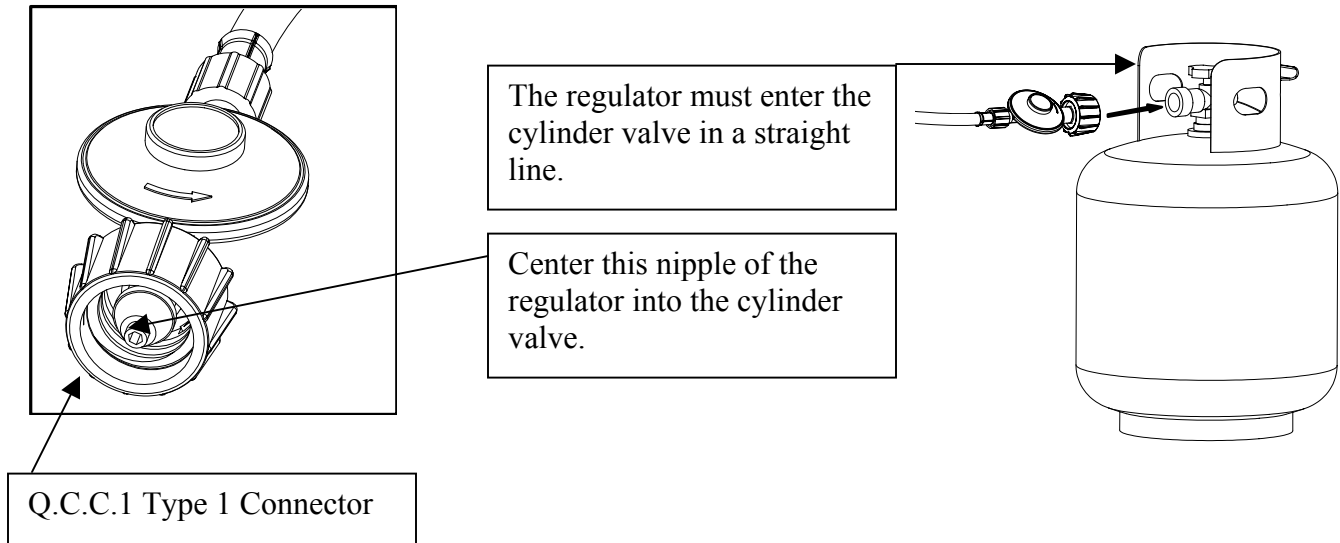
The pressure regulator and hose assembly provided with this fire place must be used. This regulator is set for an outlet pressure of 11 inches water column. Replacement pressure regulators and hose assemblies must be those specified in the parts list.

Your regulator is equipped with a Q.C.C. Type 1 quick connect system. It will not allow gas to flow until a positive seal has been made. It has a flow-limiting device that will restrict the flow of gas to 10 cubic feet per hour (0.28 cubic meters per hour).

TO CONNECT THE CYLINDER TO THE REGULATOR AND HOSE

1. Be sure the LP cylinder is “OFF” by turning the hand wheel clockwise until it stops.
2. Place the cylinder into the base cabinet shelf of the fire place with the valve facing outward and secure with the cylinder support ring.
3. Be sure all burner controls are turned to the “Off” position.
4. Remove the safety cap from the cylinder valve.
5. Center the nipple of the regulator into the cylinder
6. Turn the black nut clockwise until it stops. **Hand Tighten Only. Do Not Use A Wrench.**





⚠ WARNING

1. Do not connect this fire place to any unregulated sources of propane.
2. Before each use, check the gas hose for excessive abrasion or wear, or cuts. Replace a hose assembly showing those signs with the hose assembly specified in the parts list before using the fire place.
3. Always perform the Leak Test listed below before using your fire place for the first time, if the cylinder has been changed, any gas components have been changed, the regulator flow-limiting device has been activated, or after a long period of non-use.
4. Do not attempt to connect this fire place to the LP system of a motor home or trailer.

LEAK TESTING THE REGULATOR, VALVES, HOSES, AND CONNECTIONS

1. Ensure the LP cylinder valve and all burners are “Off”.
2. Ensure the LP cylinder is connected to the regulator.
3. Mix up a solution of 50% water and 50% liquid dish soap. Do not use any household cleaner solution.
4. Open the LP tank valve by turning the hand wheel counterclockwise one turn. If you hear a rushing sound, turn the gas off immediately. In that case, there could be a leak at the connection. Reconnect the cylinder to the regulator.
5. Spray or brush on the solution covering the following areas: cylinder welds, regulator and cylinder connection, gas hose connection to the regulator, gas hose, and the gas hose connection to the gas manifold assembly.
6. Growing bubbles on any of the parts and connections listed above indicate a gas leak. Immediately shut off the LP tank valve by turning the valve clockwise. Retighten the connections or order replacement parts as needed. Continue to test as necessary until no leaks are detected.
7. Close the LP tank valve by turning the hand wheel clockwise.

⚠ WARNING

1. **DO NOT USE THE FIRE PLACE** if you cannot stop a leak. Be sure the LP cylinder valve is closed. If the LP cylinder is still leaking, contact your LP dealer or local fire department.
2. Do not use any match or open flame, or smoke, during leak testing.
3. Do not light a burner during leak testing.

⚠ WARNING

Do not use this fire place if any part has been under water. Immediately call a qualified service technician to inspect the fire place and to replace any part of the control system and any gas control which has been under water.

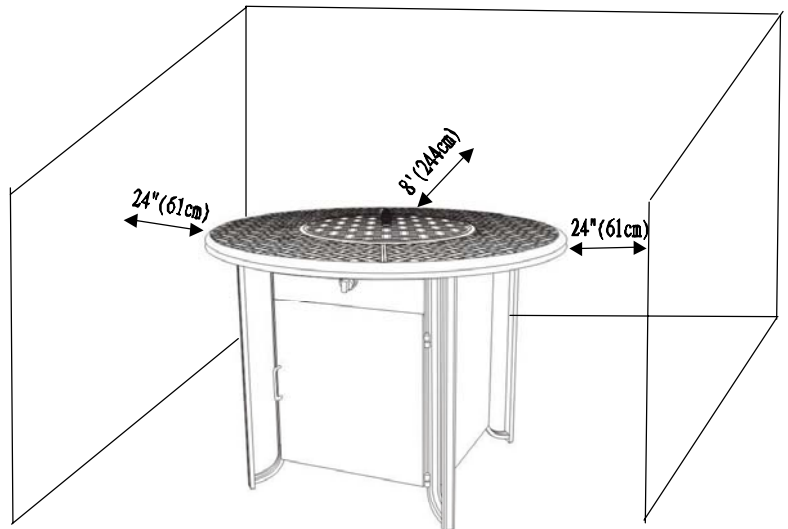
Fire Place Placement

⚠ FOR YOUR SAFETY

1. Minimum clearance required from sides and back of unit to adjacent combustible construction is 24 inches (61 cm) and 8 foot (244 cm)
2. Do not locate or use this outdoor cooking gas appliance under overhead combustible surfaces.

Keep any electrical supply cord and the fuel supply hose away from any heated surfaces and water.

Do not face the fire place directly into the wind



APARTMENT RESIDENTS

Check with your apartment manager regarding your regulations for fire place.

Fire Place Operations

BEFORE AND AFTER LIGHTING

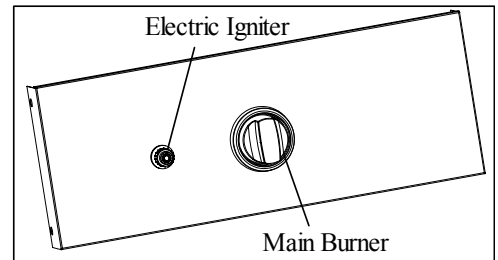
1. Ensure your fire place is located on a level surface.
2. Keep the gas fire place area clear and free from combustible materials, gasoline, and other flammable vapors and liquids.
3. Ensure nothing is obstructing the flow of combustion and ventilation air.
4. Ensure the ventilation openings of the cylinder enclosure are free and clear of debris.
5. Visually check burner flames.

WARNING

1. Read instructions before lighting.
2. Open lid during lighting.
3. If ignition does not occur in 5 seconds, turn the burner control(s) off, wait 5 minutes and repeat the lighting procedure

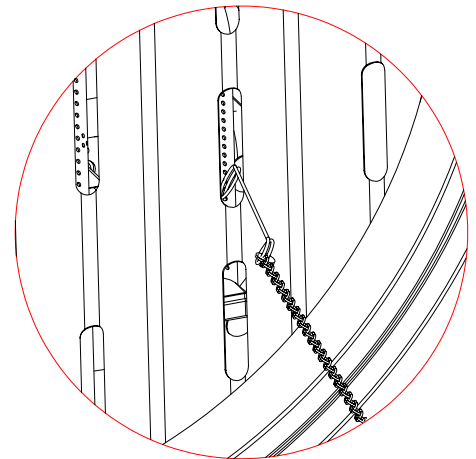
LIGHTING THE MAIN BURNERS WITH ELECTRIC IGNITION

1. Open the lid.
2. Ensure all burner control knobs are in the “Off” position.
3. Turn on the LP gas by slowly turning the hand wheel on the cylinder valve.
4. Push in the burner control knob of the burner you wish to light and turn left to “HI/LIGHT”. You will hear a click as a spark is sent to the burner. If the burner does not light, then turn back to “Off”, and repeat this procedure. Continue this process until the burner lights.
5. Use the Manual directions if it still will not light.
6. When lit, turn the burner control knob to its desired heat setting.



MANUALLY LIGHTING THE MAIN BURNERS WITH THE MATCH HOLDER

1. Open the lid.
2. Ensure all burners are in the “Off” position.
3. Slowly turn on the gas at the LP cylinder valve if it is not already on.
4. Place a match in the Match Holder. This is located in the door of the fire place cabinet.
5. Use the holder to slide the lit match through the hole of the heat diffuser to the burner you wish to light.
6. Press and turn the burner control knob to “HI/LIGHT”. Continue to push in and hold up to 5 seconds or until the burner lights.
7. If the burner does not light within 5 seconds, turn the burner control knob to “Off”. Wait 5 minutes for gas to clear, and try again.
8. When lit, turn the control knob to the desired heat setting.



Cleaning and Maintaining Your Fire Place

▲ WARNING

1. Do not clean any part of your fire place in a self-cleaning oven.
2. Do not use oven cleaners, abrasive kitchen cleaners, cleaners that contain citrus products, or mineral spirits.
3. Do not use any type of steel bristled brush.
4. Clean your fire place regularly to prohibit grease build-ups and avoid a grease fire or excessive flare-ups.

HEAT DIFFUSERS – use a stiff brass brush. Wash with warm water and mild dish soap as needed, rinse, and dry.

ELECTRONIC IGNITER – visually inspect for cracks. Replace if a crack is found. Do not use water to clean the igniter.

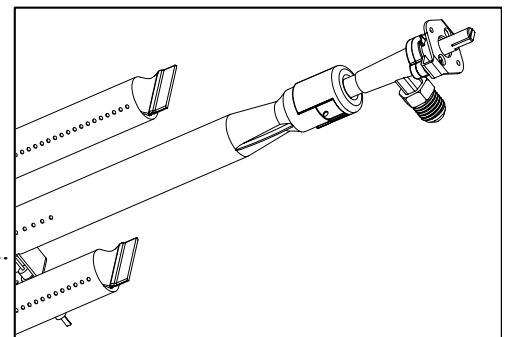
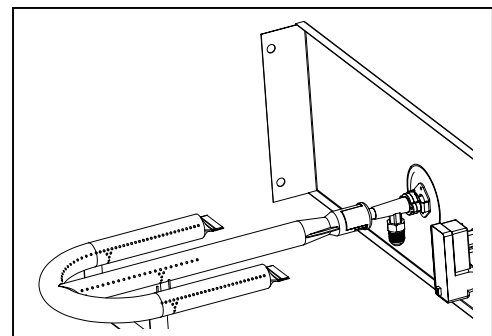
BURNERS – we recommend you clean your burners at least twice a year, or before use if the fire place has not been used in over one month.

▲ WARNING

Small insects, such as spiders, are able to access the burner tubes. Sometimes they will build nests or spin webs. In either case, this can block or reduce the amount of gas flowing through the burner. You will usually see a smaller flame, or a flame that is mostly yellow rather than blue, coming from the burner when this happens. Other signs include the grill not heating evenly, not reaching temperature, or burners not igniting. In cases with severe blockage, this can cause the flame to burn backwards, and outside of the burner tubes, which can cause damage to your fire place and/or personal injury. **IMMEDIATELY SHUT OFF THE FLOW OF LP GAS AT THE CYLINDER BY TURNING THE HAND WHEEL CLOCKWISE SHOULD THIS HAPPEN.** Wait for the fire place to cool, and then clean all burners.

CLEANING THE BURNERS

1. Ensure the LP gas is turned off at the LP cylinder.
2. Remove the heat diffusers.
3. Remove the Phillips Head screws located at the back end of each burner.
4. Lift each burner up and out.
5. Clean the inside of the burner using a stiff wire. A straightened coat hanger is one suggested tool. An alternative way to clean the inside of the burner is using compressed air. Always wear eye protection if using this method. **Never enlarge the burner ports during cleaning.**
6. Brush the outer surface of the burner.
7. Ensure all ports (holes) are free of all debris
8. Inspect the burner before each use. Replace if any cracks or enlarged holes. The replacement burner must be the one identified.
9. Reinstall the burners making sure the burners seat over the



valves as shown in the figure to the right.

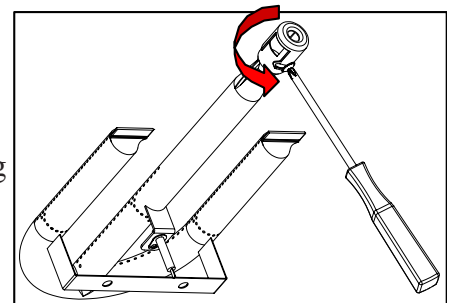
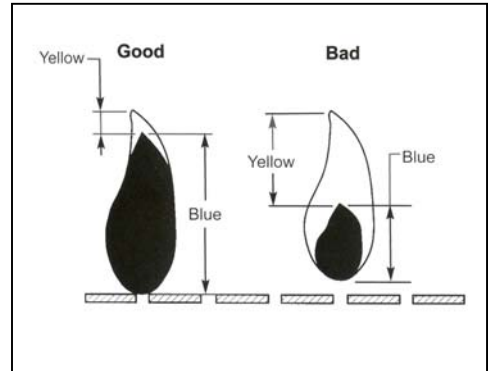
10. Secure the back of the burners to the fire place with the Phillips Head screws.
11. Replace the heat diffusers, and cooking grates.
12. Perform a Leak Test described earlier in this manual.

BURNER FLAMES

Always inspect the burner flame after lighting. A good flame should be primarily blue with a yellow tip and have a minimal amount of noise. Some yellow tips are OK if under one inch. New burners sometimes have oil residue, which will cause yellow flame when burning off. Variations in gas supply, altitude, weather, and other factors can all impact burner performance.

BURNER ADJUSTMENTS

Each burner is adjusted and tested at the factory before packaging. However, burner adjustments will at times become necessary. Clean your burners and check to be sure there are no blockages if you experience poor flame quality. Be sure they are properly seated over the valves. Each burner is equipped with an adjustable air shutter. Too much yellow flame indicates too little air. You can try moving the fire place to an area with more air circulation or opening the air shutter on the burner. Too much noise indicates too much air. Move the fire place to an area of decreased air circulation, or closing the air shutter on the burner to get to your desired result.



ALWAYS

1. Keep the fire place area clear and free from combustible materials, gasoline and other flammable vapors and liquids.
2. Do not obstruct the flow of combustion and ventilation air.
3. Keep the ventilation openings of the cylinder enclosure free and clear from debris.

ELECTRONIC IGNITION MAINTENANCE

Your fire place is equipped with electronic ignition. It's powered by one "AAA" size battery. Replace the battery when necessary. Unscrew the igniter top. Place the new battery into the igniter with the positive (+) end of the battery facing up. Screw the igniter top back into place.

FIRE PLACE STORAGE

1. Clean your fire place before storage.
2. Storage of a gas fire place indoors is permissible only if the cylinder is disconnected and removed from the gas fire place.
3. Cover the fire place.
4. Perform a Leak Test before use after storage.